



US00D858237S

(12) **United States Design Patent**
Haneishi

(10) **Patent No.:** **US D858,237 S**

(45) **Date of Patent:** **** Sep. 3, 2019**

(54) **BATTERY OPERATED CUTTER**

(71) Applicant: **Izumi Products Company,**
Matsumoto-shi, Nagano (JP)

(72) Inventor: **Isao Haneishi,** Matsumoto (JP)

(73) Assignee: **IZUMI PRODUCTS COMPANY,**
Nagano (JP)

(**) Term: **15 Years**

(21) Appl. No.: **29/619,495**

(22) Filed: **Sep. 29, 2017**

(51) **LOC (12) Cl.** **08-03**

(52) **U.S. Cl.**
USPC **D8/61**

(58) **Field of Classification Search**
USPC D8/58, 60, 61, 64, 68, 70
CPC B23D 23/00; B23D 29/002; H02G 1/005;
B26B 15/00
See application file for complete search history.

(56) **References Cited**

U.S. PATENT DOCUMENTS

- 5,642,566 A * 7/1997 Hirabayashi B23D 23/00
30/228
- D386,660 S * 11/1997 Hirabayashi D8/61
- D405,233 S * 2/1999 Hirabayashi D8/61
- 5,867,909 A * 2/1999 Jeltsch B26B 15/00
30/216
- D657,220 S * 4/2012 Isobe D8/61
- D657,221 S * 4/2012 Isobe D8/61

- D668,922 S * 10/2012 Hyma D8/61
- 9,085,035 B2 * 7/2015 Wason B23D 29/002
- 9,339,938 B2 * 5/2016 Winkel B23Q 15/007
- D767,960 S * 10/2016 Haneishi D8/61

* cited by examiner

Primary Examiner — Philip S Hyder

(74) *Attorney, Agent, or Firm* — Birch, Stewart, Kolasch
& Birch, LLP

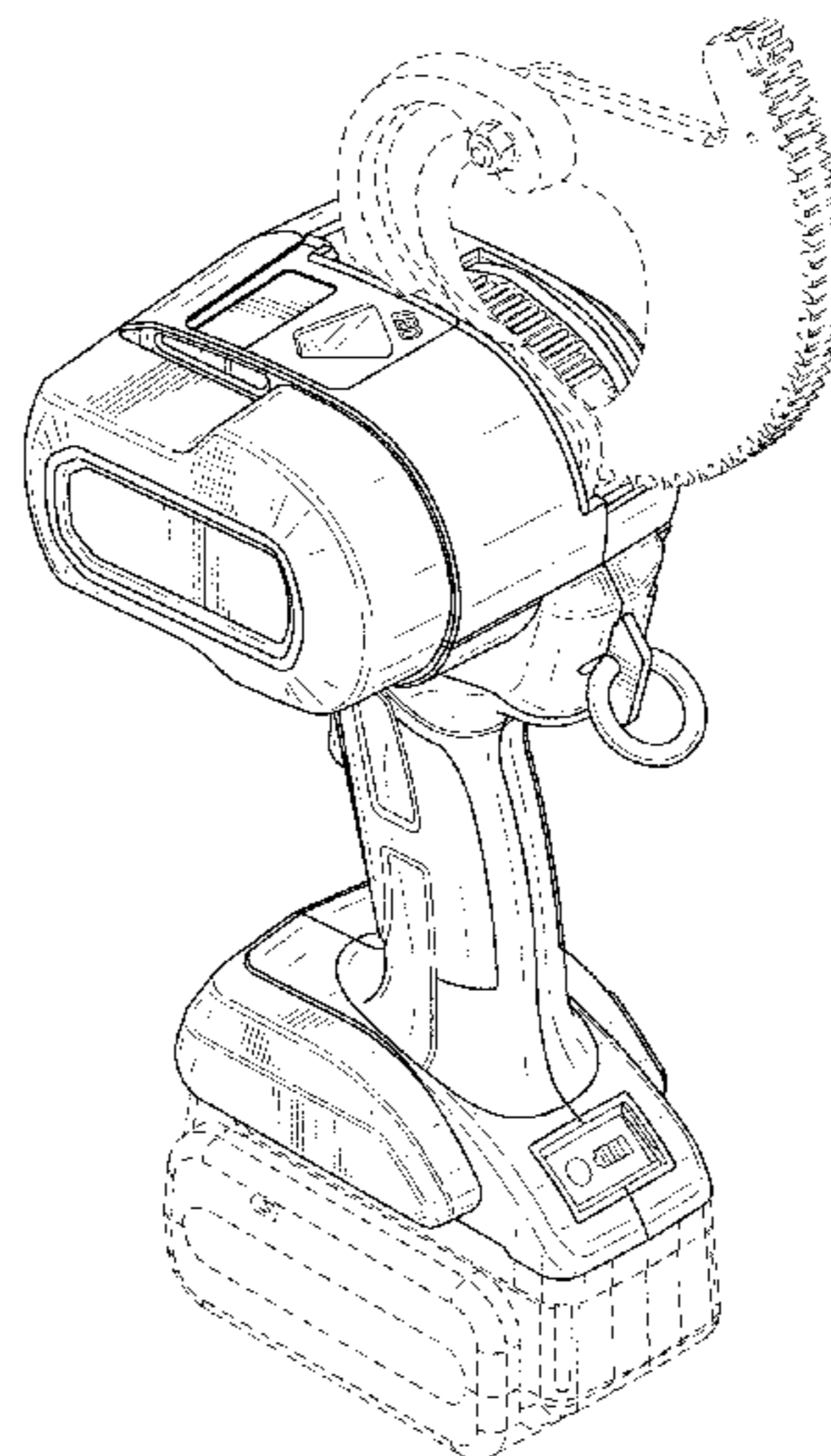
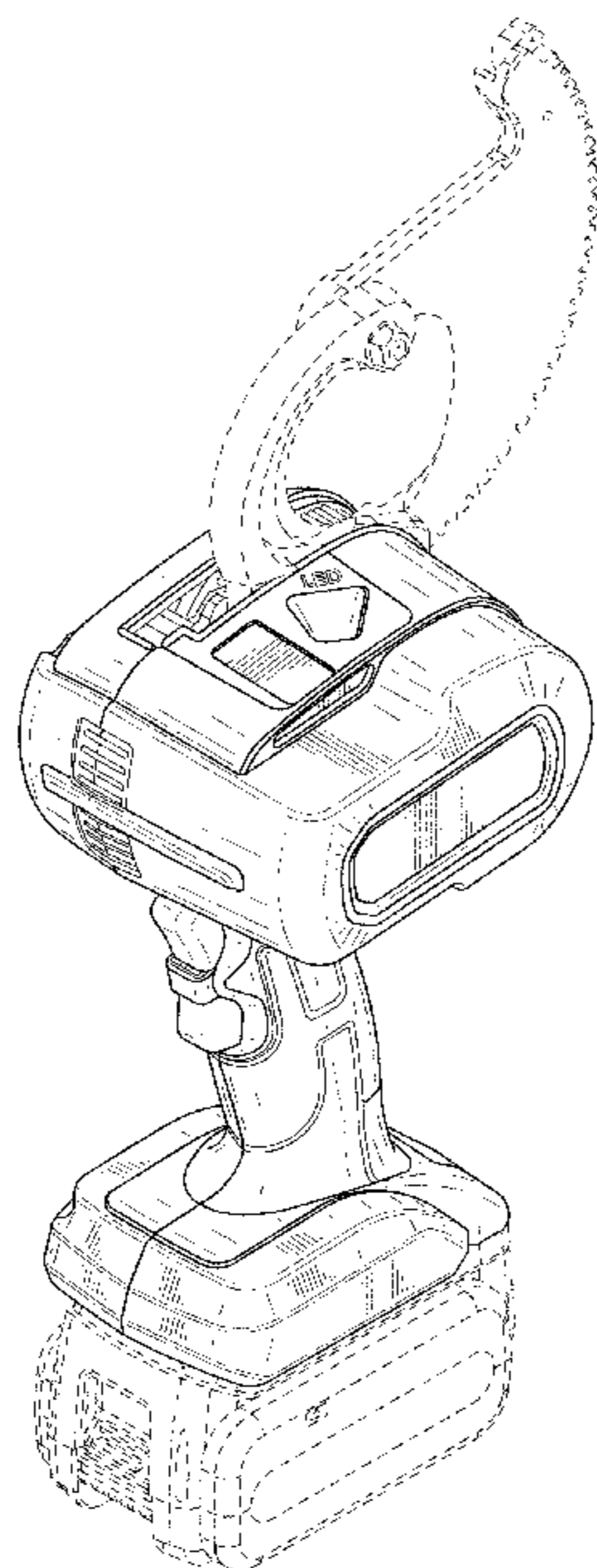
(57) **CLAIM**

The ornamental design for a battery operated cutter, as shown and described.

DESCRIPTION

FIG. 1 is a front elevational view of a battery operated cutter showing my new design;
 FIG. 2 is a top plan view thereof;
 FIG. 3 is a rear elevational view thereof;
 FIG. 4 is a bottom plan view thereof;
 FIG. 5 is a left side elevational view thereof;
 FIG. 6 is a right side elevational view thereof;
 FIG. 7 is a front and top perspective view, showing the left side thereof;
 FIG. 8 is a front and top perspective view, showing the right side thereof;
 FIG. 9 is a front and bottom perspective view, showing the left side thereof; and,
 FIG. 10 is a front and bottom perspective view, showing the right side thereof.
 The broken lines depict portions of the battery operated cutter in which the design is embodied that are not considered part of the claimed design.

1 Claim, 10 Drawing Sheets



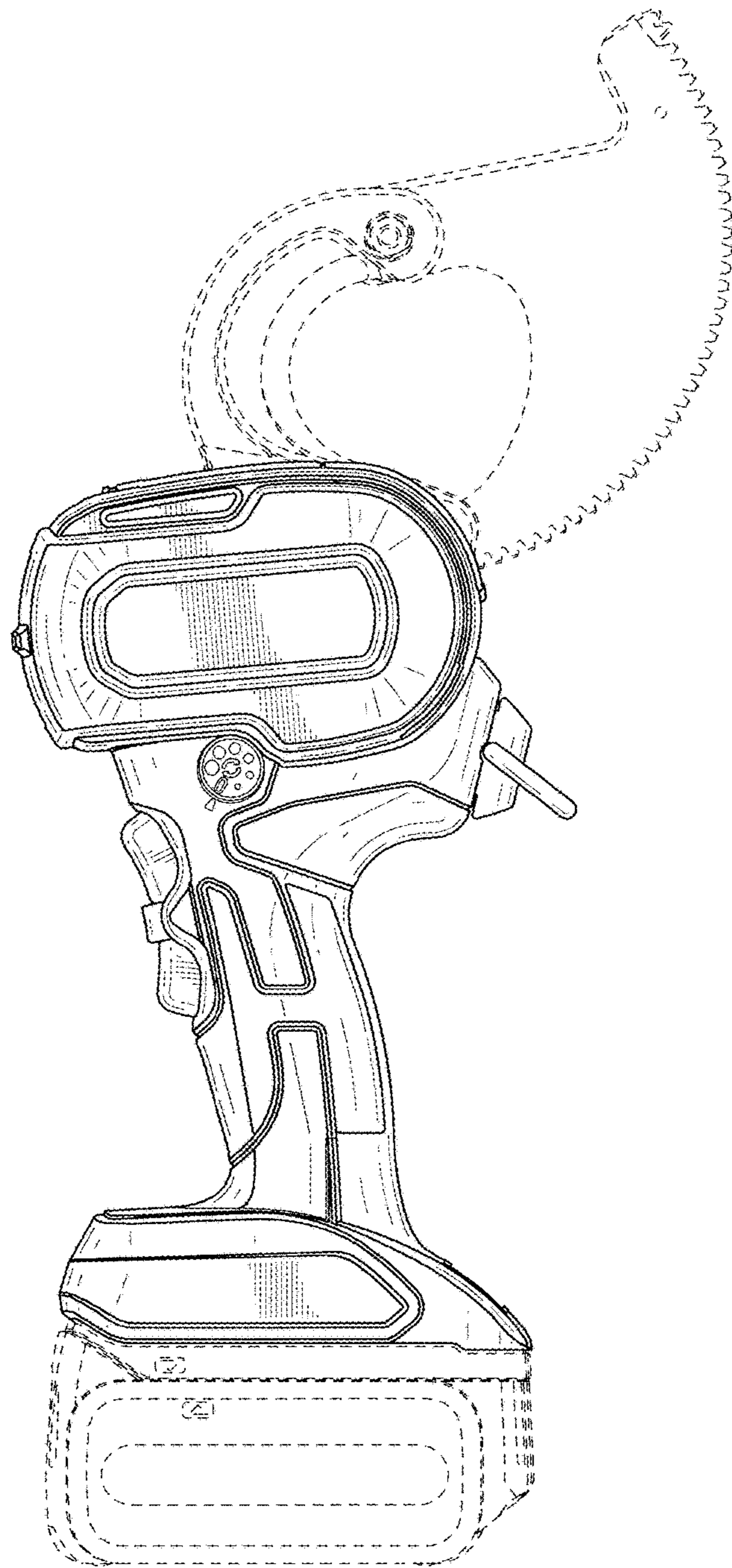


FIG. 1

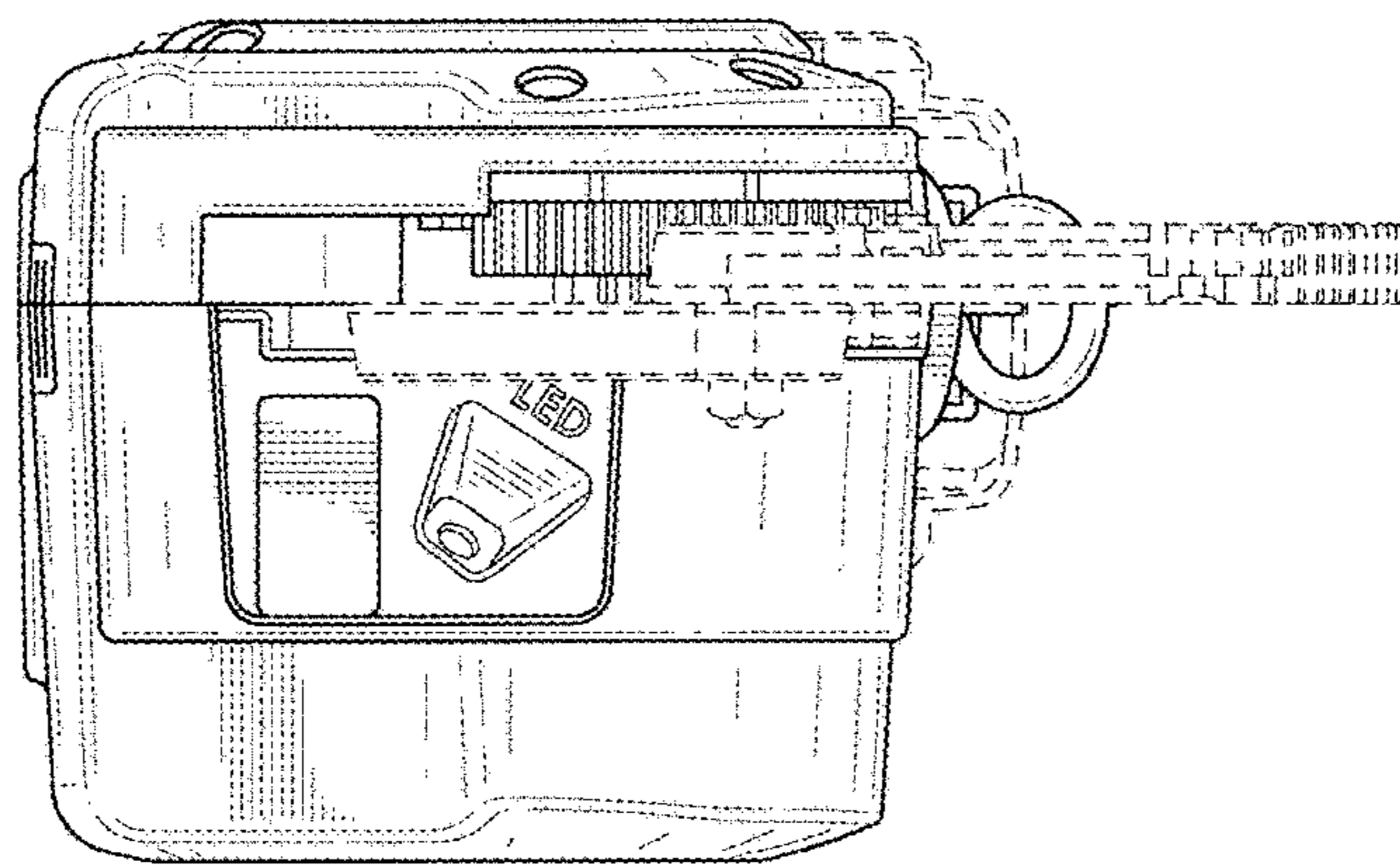


FIG.2

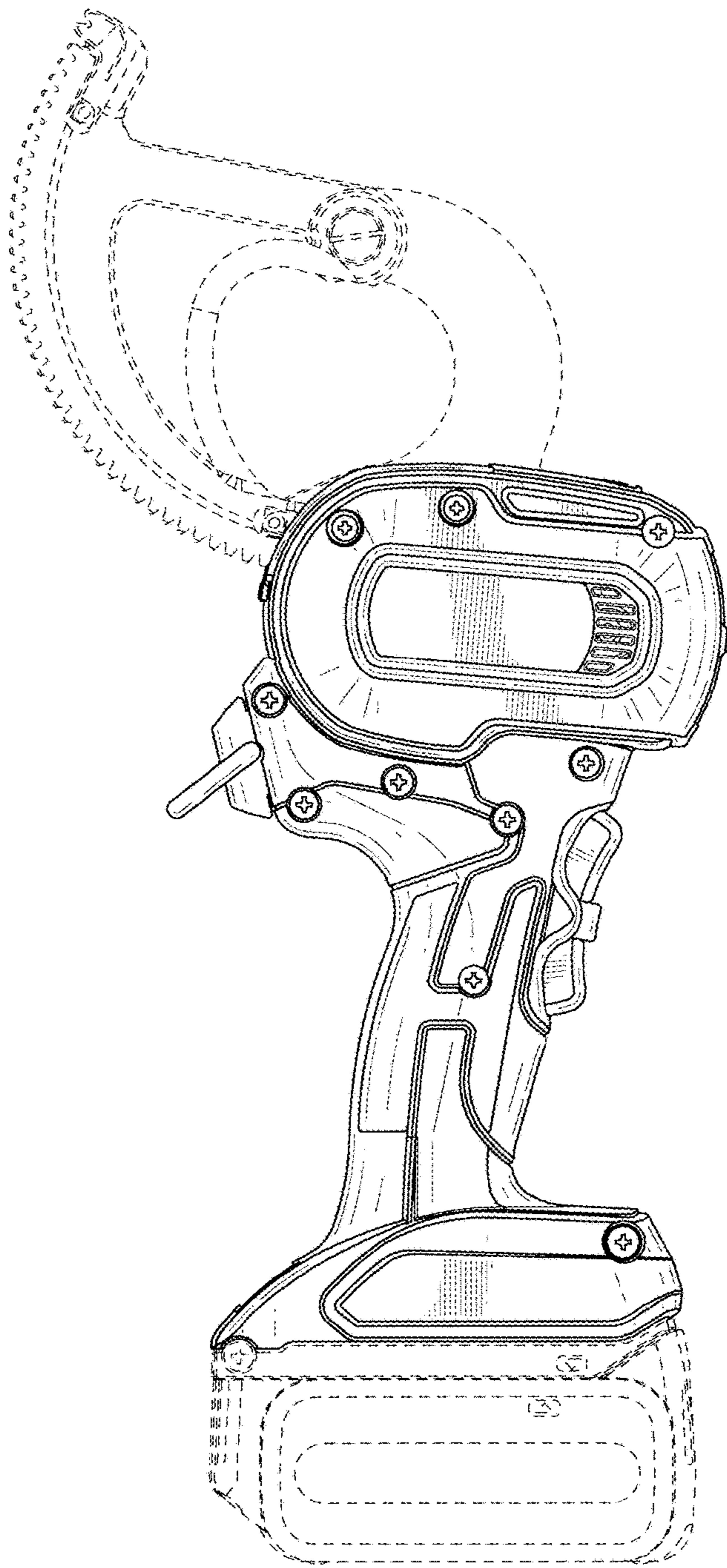


FIG.3

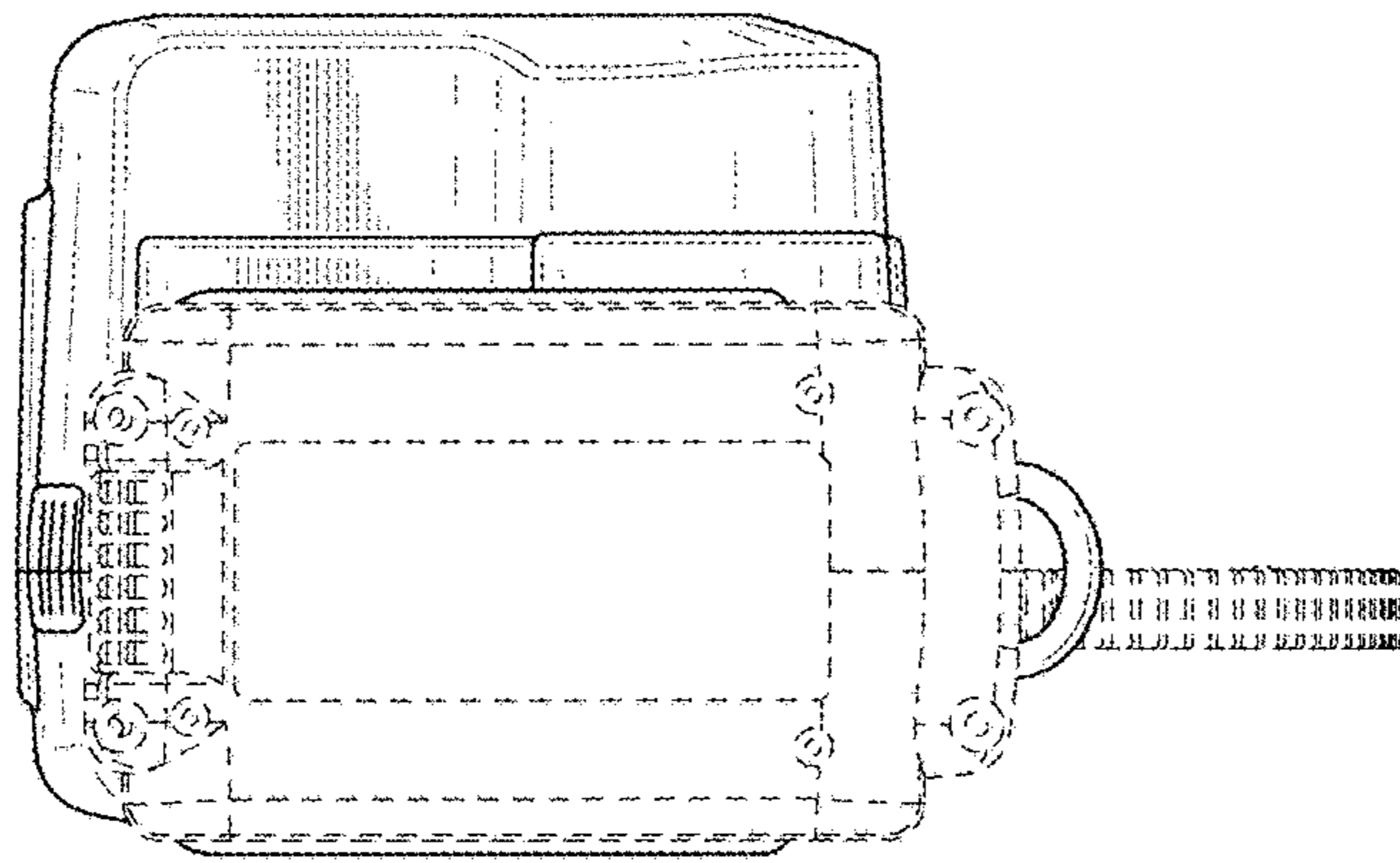


FIG.4

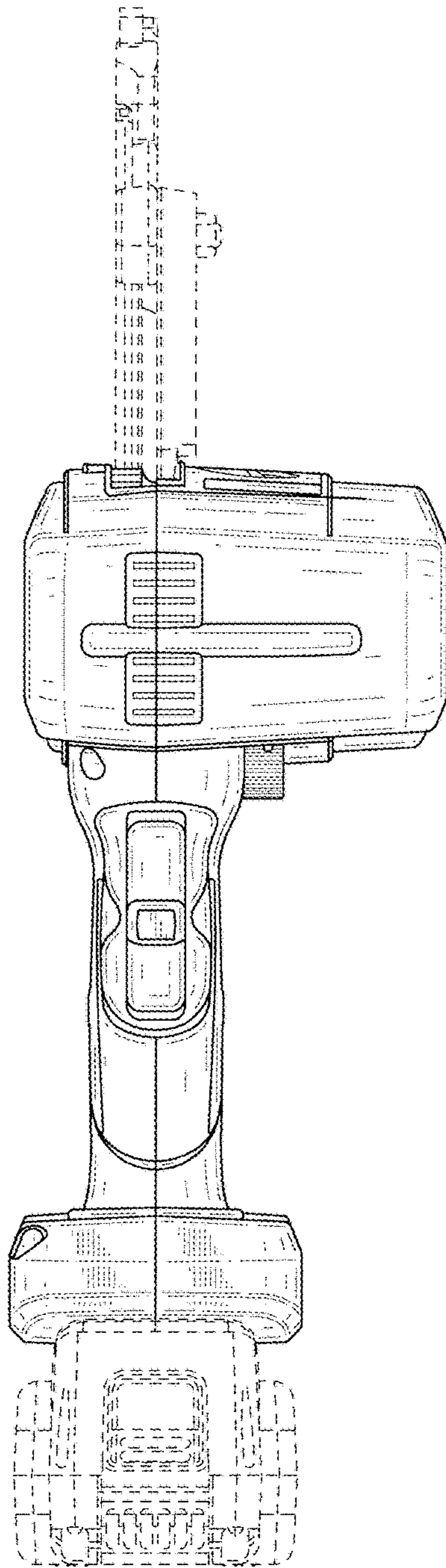


FIG.5

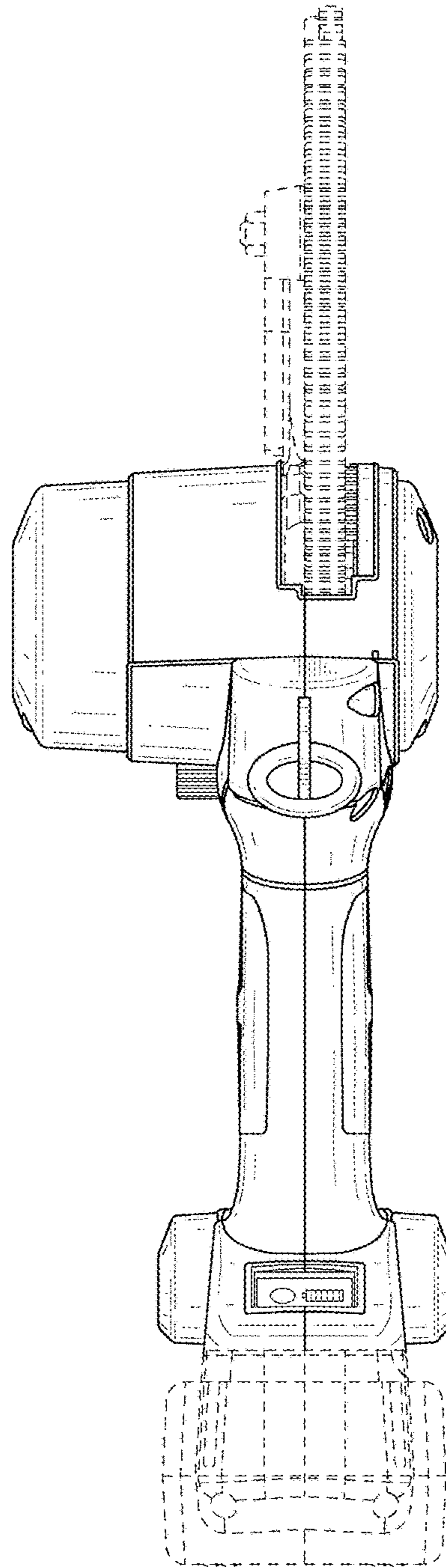


FIG.6

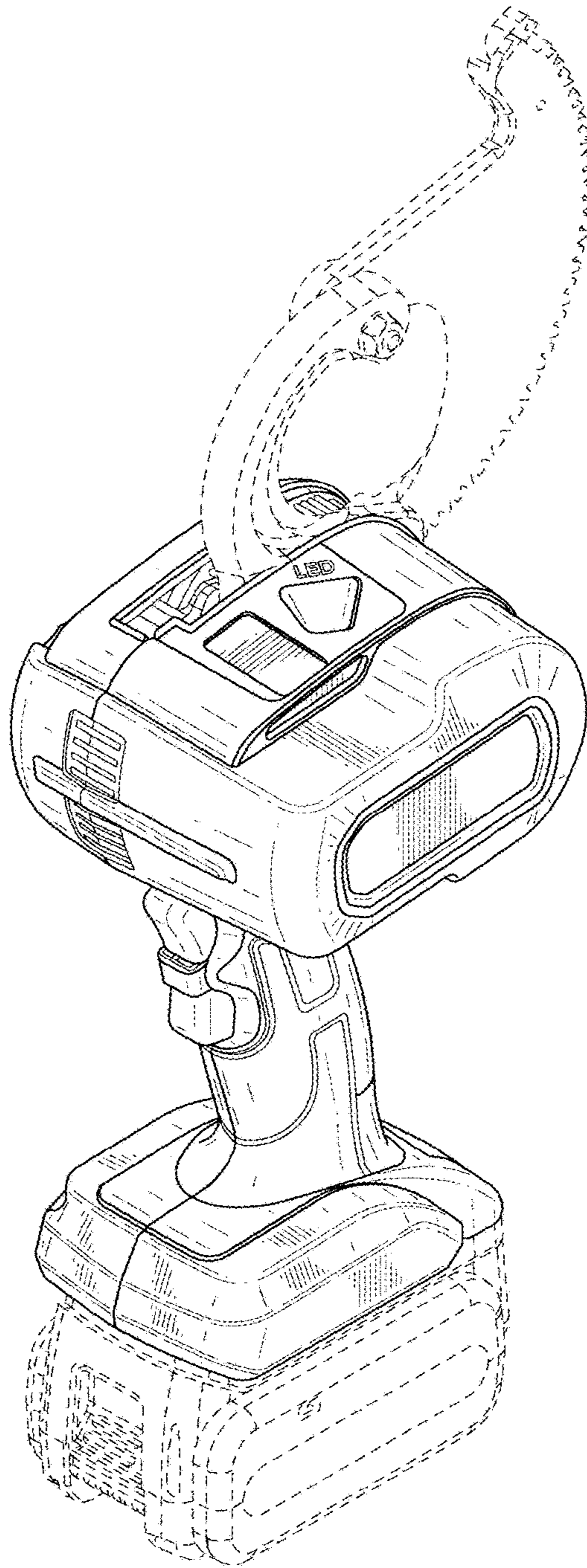


FIG. 7

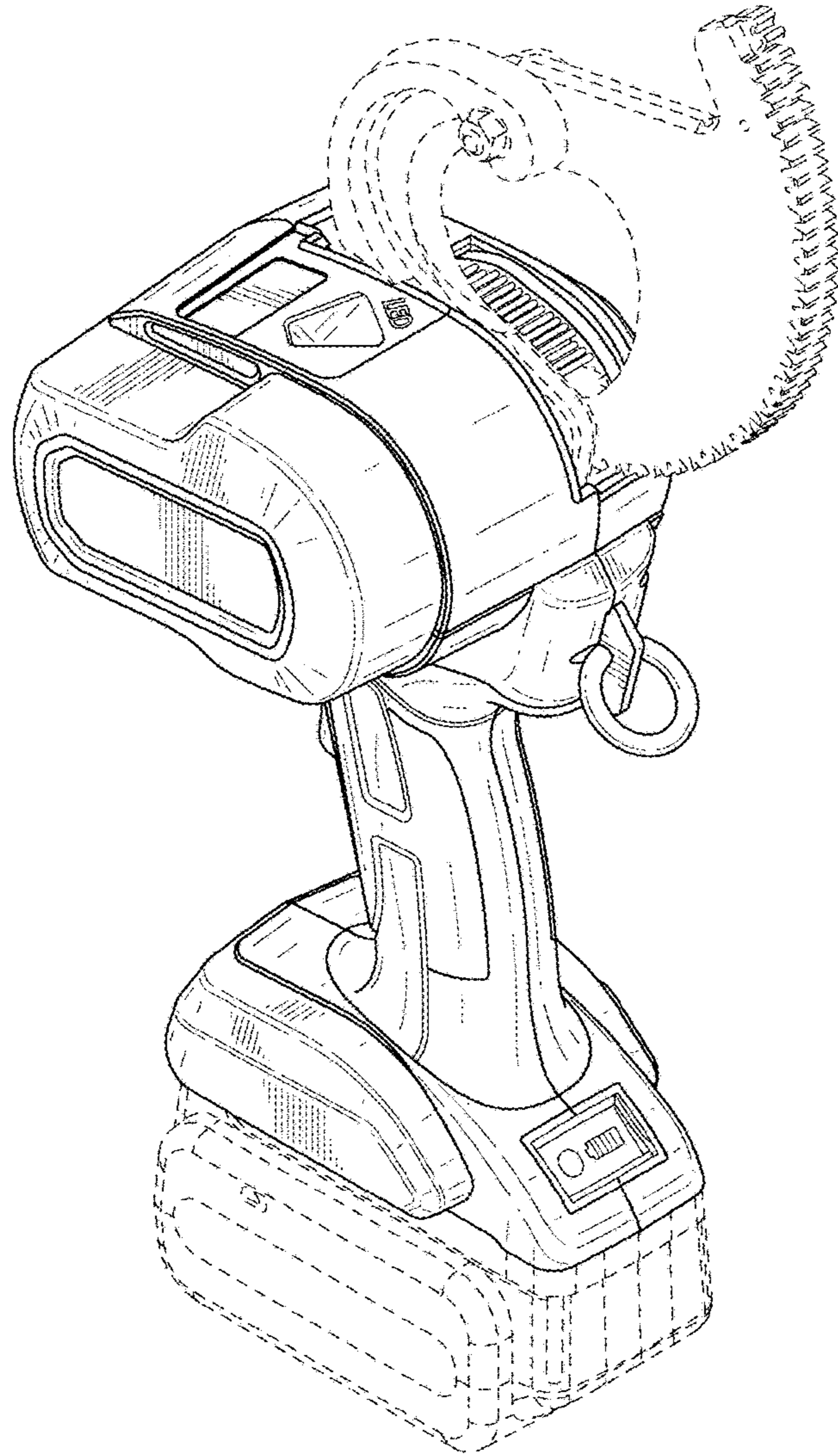


FIG.8

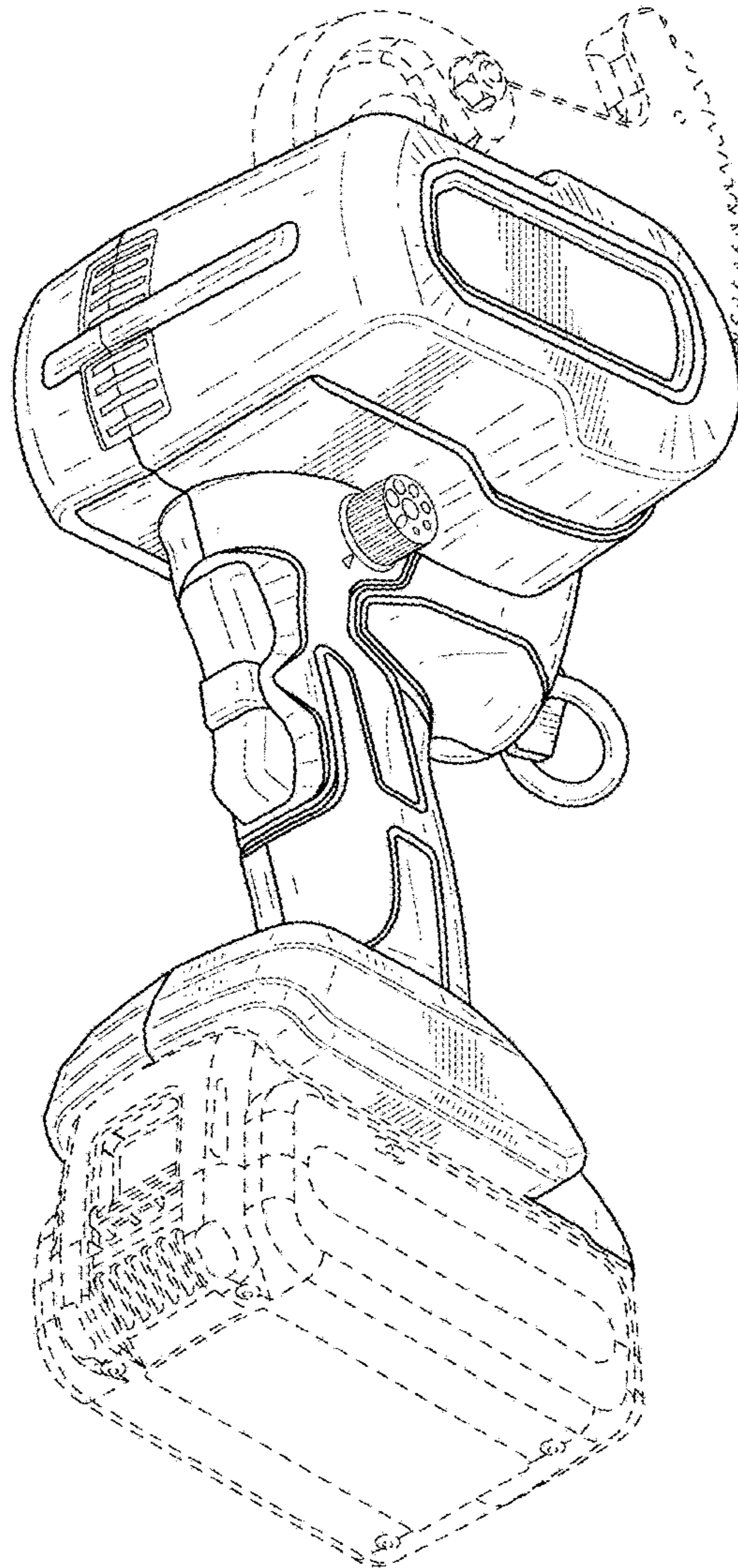


FIG.9

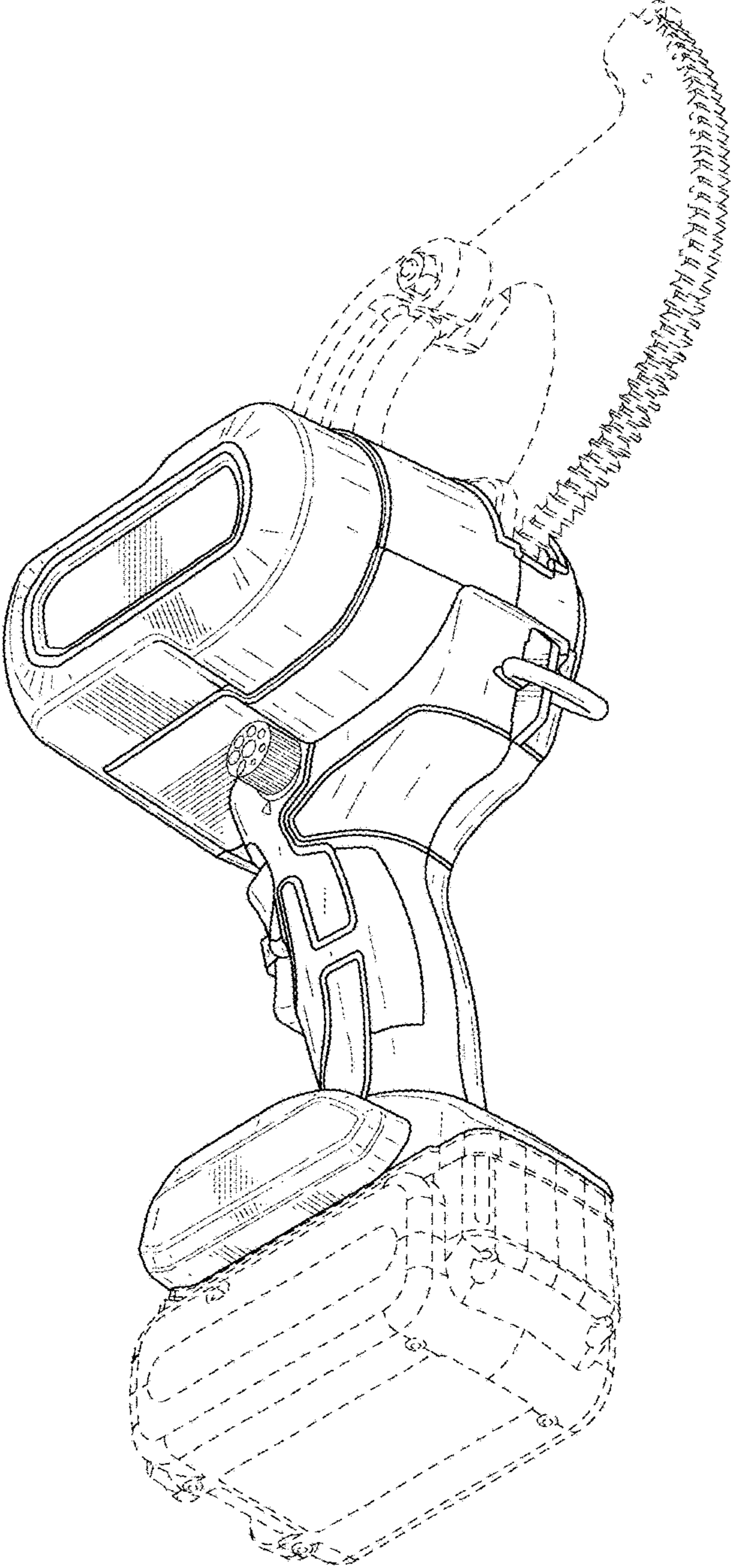


FIG.10