



US00D858236S

(12) **United States Design Patent** (10) **Patent No.:** **US D858,236 S**  
**Sarmiento Montane** (45) **Date of Patent:** **\*\* Sep. 3, 2019**

(54) **CUTTING TOOL HOLDER FOR A CUTTER MACHINE**

(71) Applicant: **GERMANS BOADA, S.A.**, Rubi (Barcelona) (ES)

(72) Inventor: **Miquel Angel Sarmiento Montane**, Rubi (ES)

(73) Assignee: **GERMANS BOADA, S.A.**, Rubi (Barcelona) (ES)

(\*\*) Term: **15 Years**

(21) Appl. No.: **29/611,851**

(22) Filed: **Jul. 26, 2017**

(30) **Foreign Application Priority Data**

Jan. 26, 2017 (EM) ..... 003712405-0001

(51) **LOC (12) Cl.** ..... **08-05**

(52) **U.S. Cl.**  
USPC ..... **D8/51; D15/127**

(58) **Field of Classification Search**  
USPC ..... D8/14, 51, 98; D15/127  
CPC ..... B28D 1/222; B28D 1/225; B28D 1/226  
See application file for complete search history.

(56) **References Cited**

**U.S. PATENT DOCUMENTS**

D359,435 S \* 6/1995 Joecker, Jr. .... D8/98  
6,053,159 A \* 4/2000 Liu ..... B28D 1/225  
125/23.02  
D424,585 S \* 5/2000 Torrents Comas ..... D15/127  
6,164,272 A \* 12/2000 Fouy ..... B28D 1/225  
125/12

D476,213 S \* 6/2003 Hepworth ..... D15/127  
6,935,544 B2 \* 8/2005 Torrents I Comas .. B28D 1/225  
125/23.02  
7,143,629 B1 \* 12/2006 Chiu ..... B21D 7/063  
72/459  
D541,127 S \* 4/2007 Yang ..... D8/51  
D557,093 S \* 12/2007 Holt ..... D8/51  
7,434,576 B2 \* 10/2008 Hwang ..... B28D 1/225  
125/23.02  
D597,568 S \* 8/2009 I Comas ..... D15/127  
D737,350 S \* 8/2015 Gargallo ..... D15/127  
D737,351 S \* 8/2015 Gargallo ..... D15/127  
D755,598 S \* 5/2016 Gargallo ..... D15/127  
D756,736 S \* 5/2016 Gargallo ..... D15/127  
D771,457 S \* 11/2016 Guardia ..... D15/127  
2005/0016518 A1 \* 1/2005 Ishii ..... B28D 1/225  
125/23.02

\* cited by examiner

*Primary Examiner* — Philip S Hyder

(74) *Attorney, Agent, or Firm* — Maier & Maier, PLLC

(57) **CLAIM**

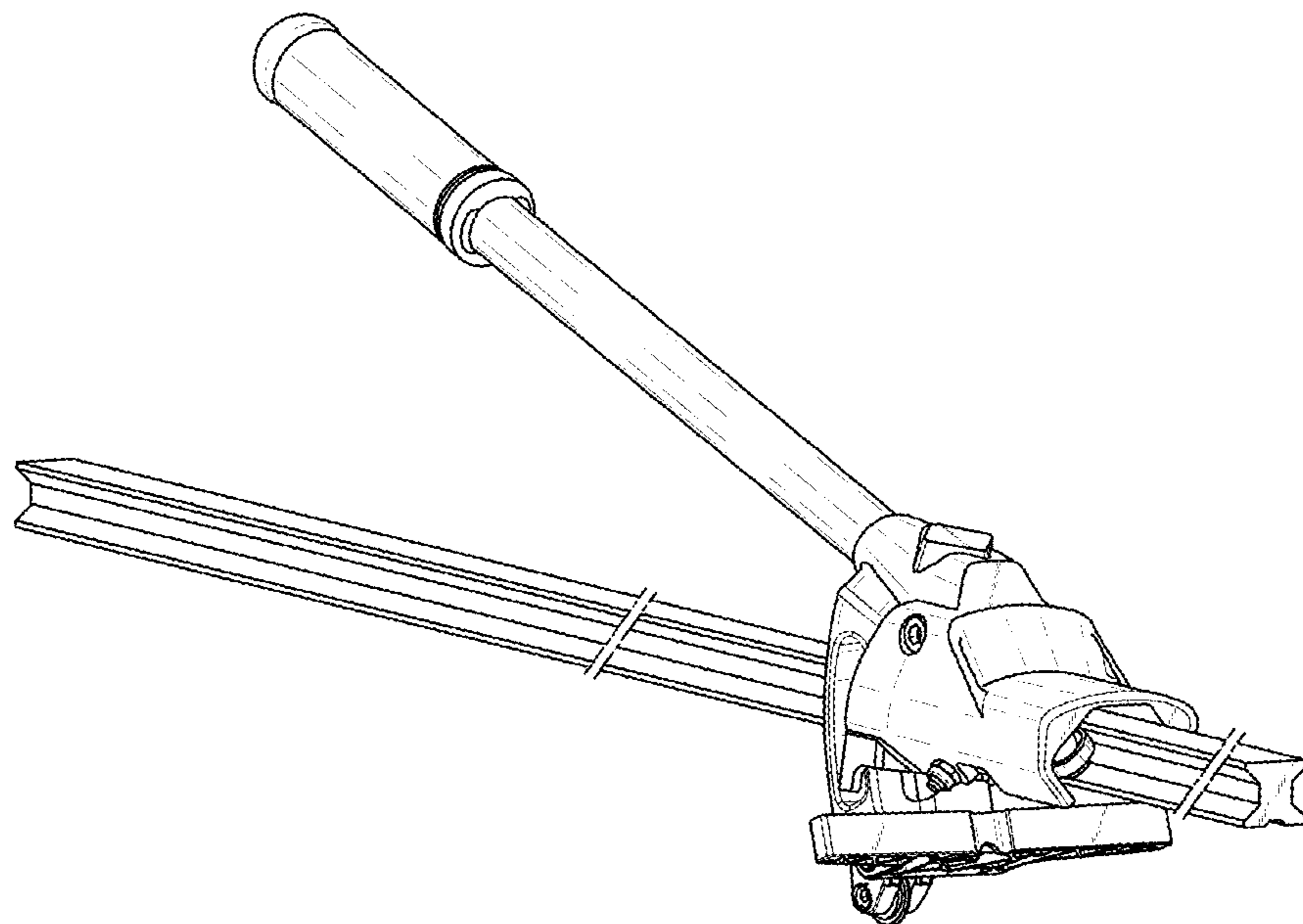
The ornamental design for a cutting tool holder for a cutter machine, as shown and described.

**DESCRIPTION**

FIG. 1 is a perspective view of a cutting tool holder for a cutter machine, showing my design;  
FIG. 2 is a right side view thereof;  
FIG. 3 is a top view thereof;  
FIG. 4 is a front view thereof;  
FIG. 5 is a back view thereof;  
FIG. 6 is a left side view thereof; and,  
FIG. 7 is a bottom view thereof.

The dash-dot-dash broken lines represent boundary lines that form no part of the claimed design.

**1 Claim, 7 Drawing Sheets**



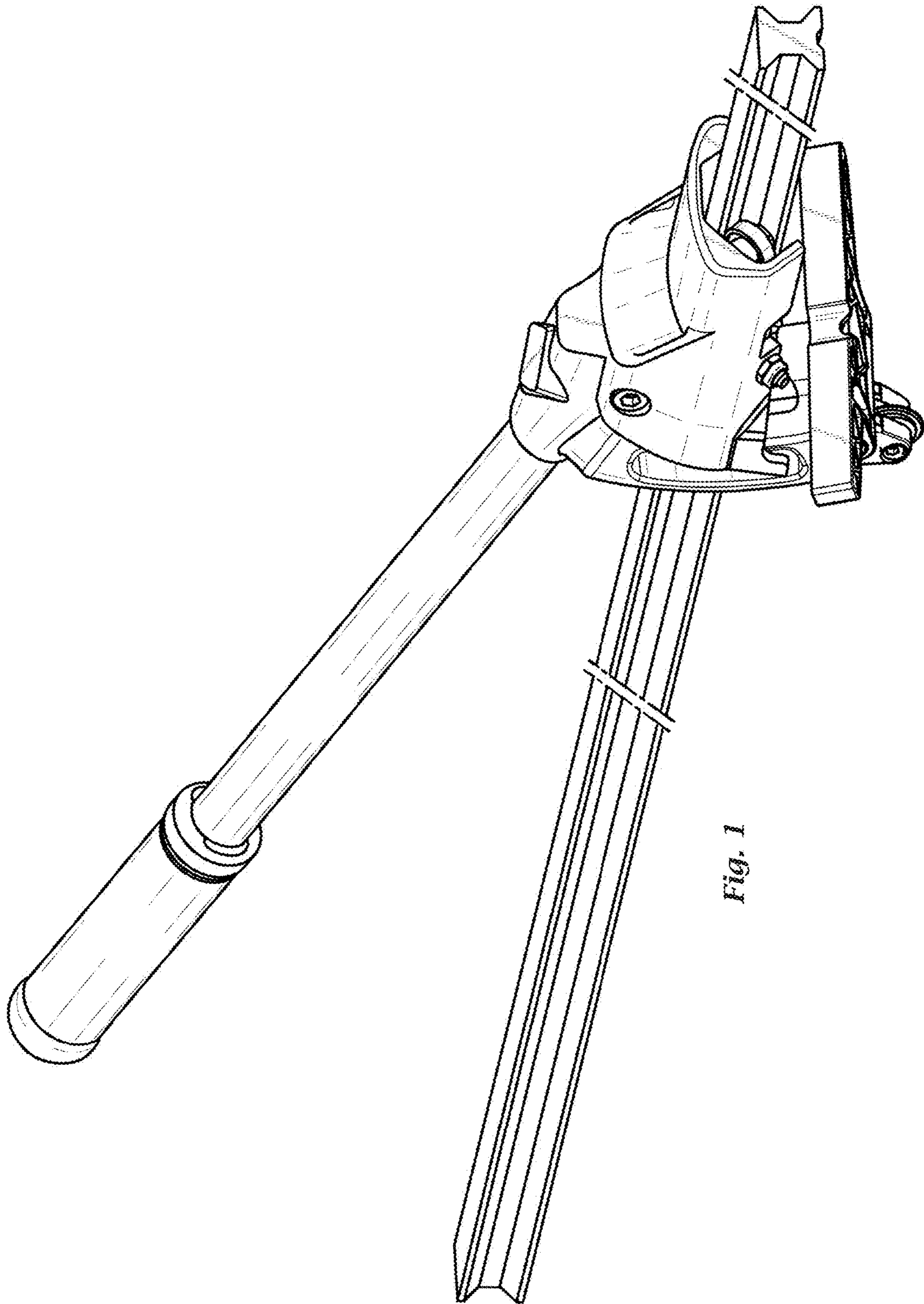


Fig. 1

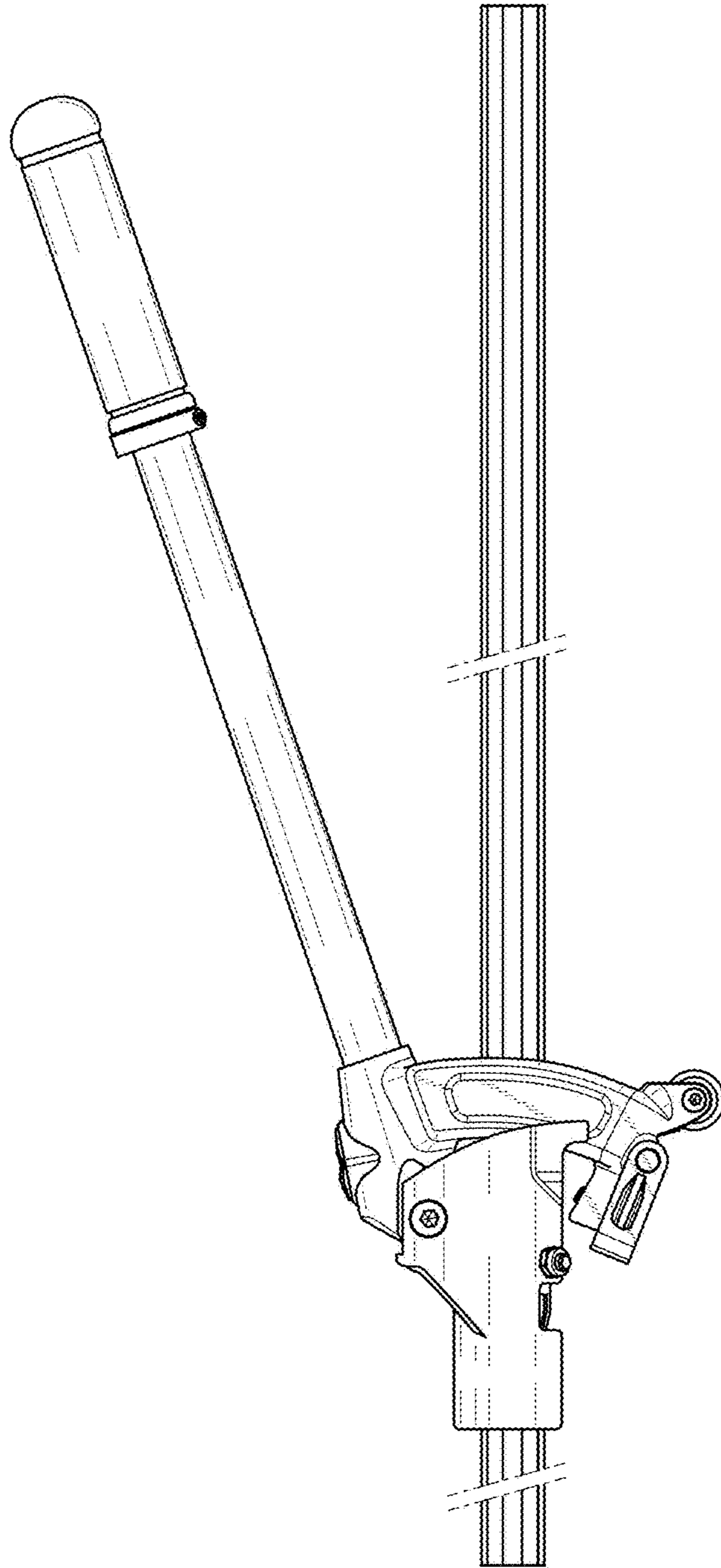


Fig. 2

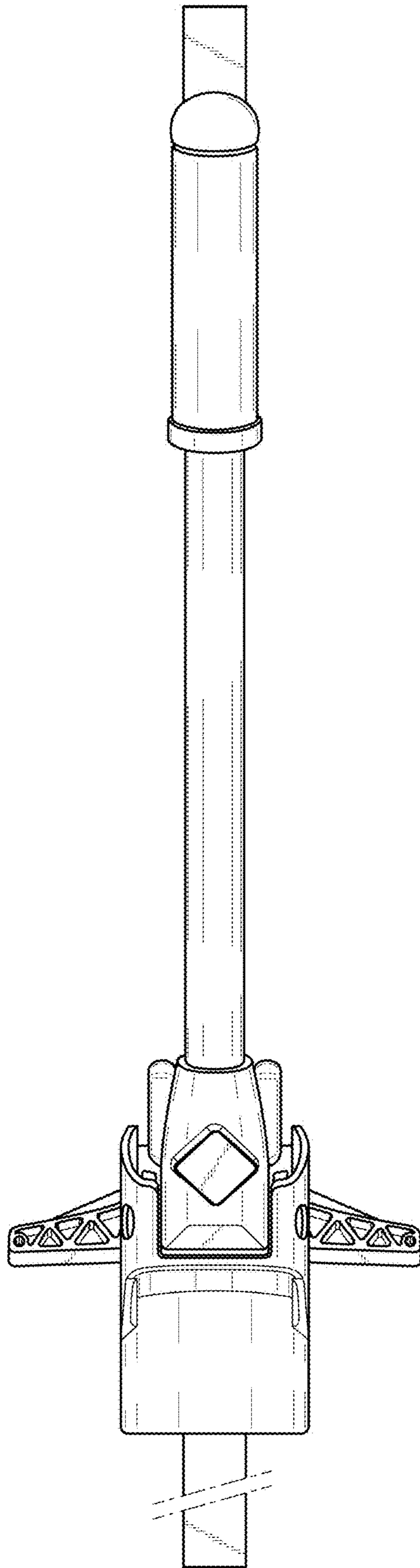
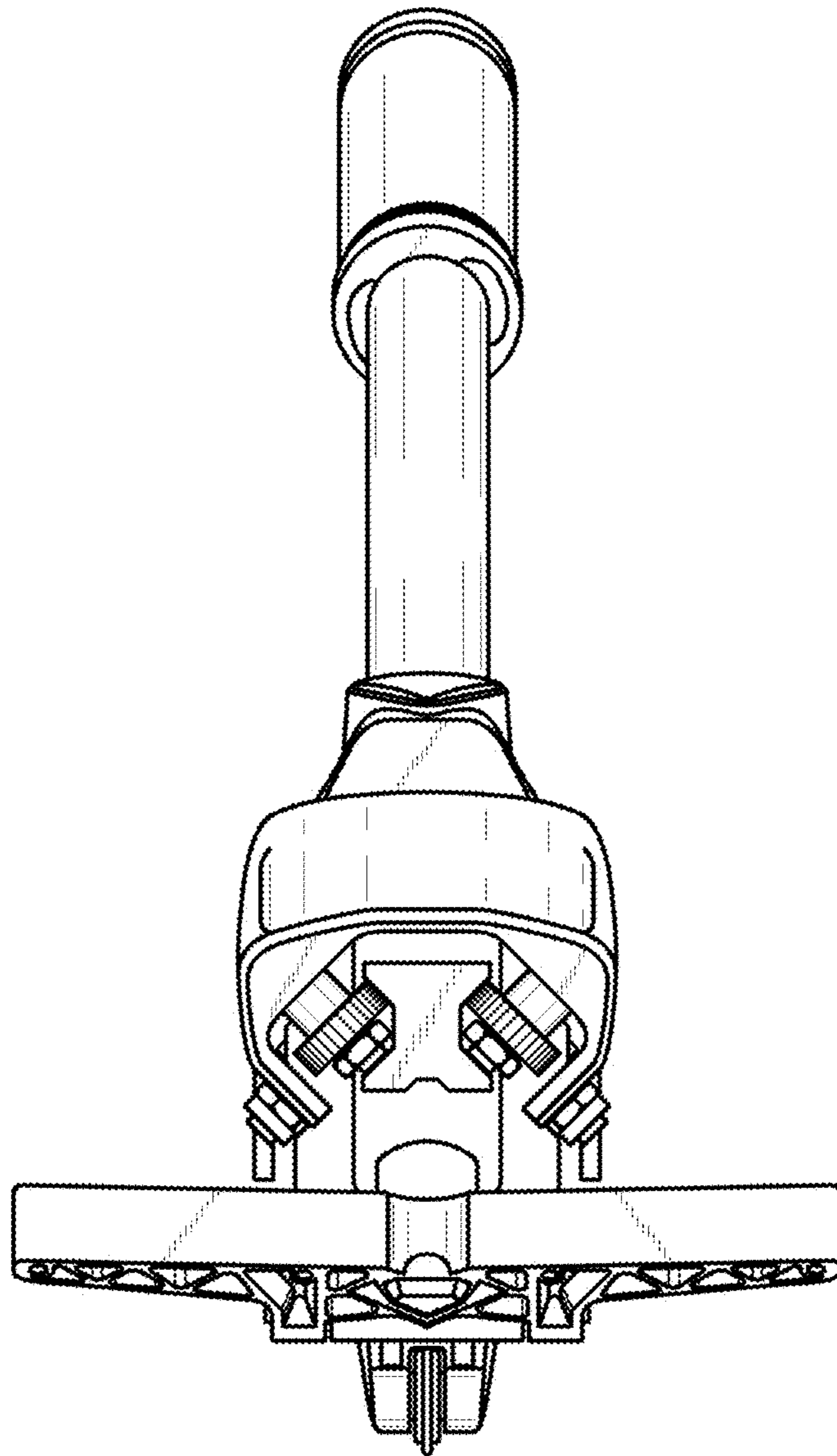
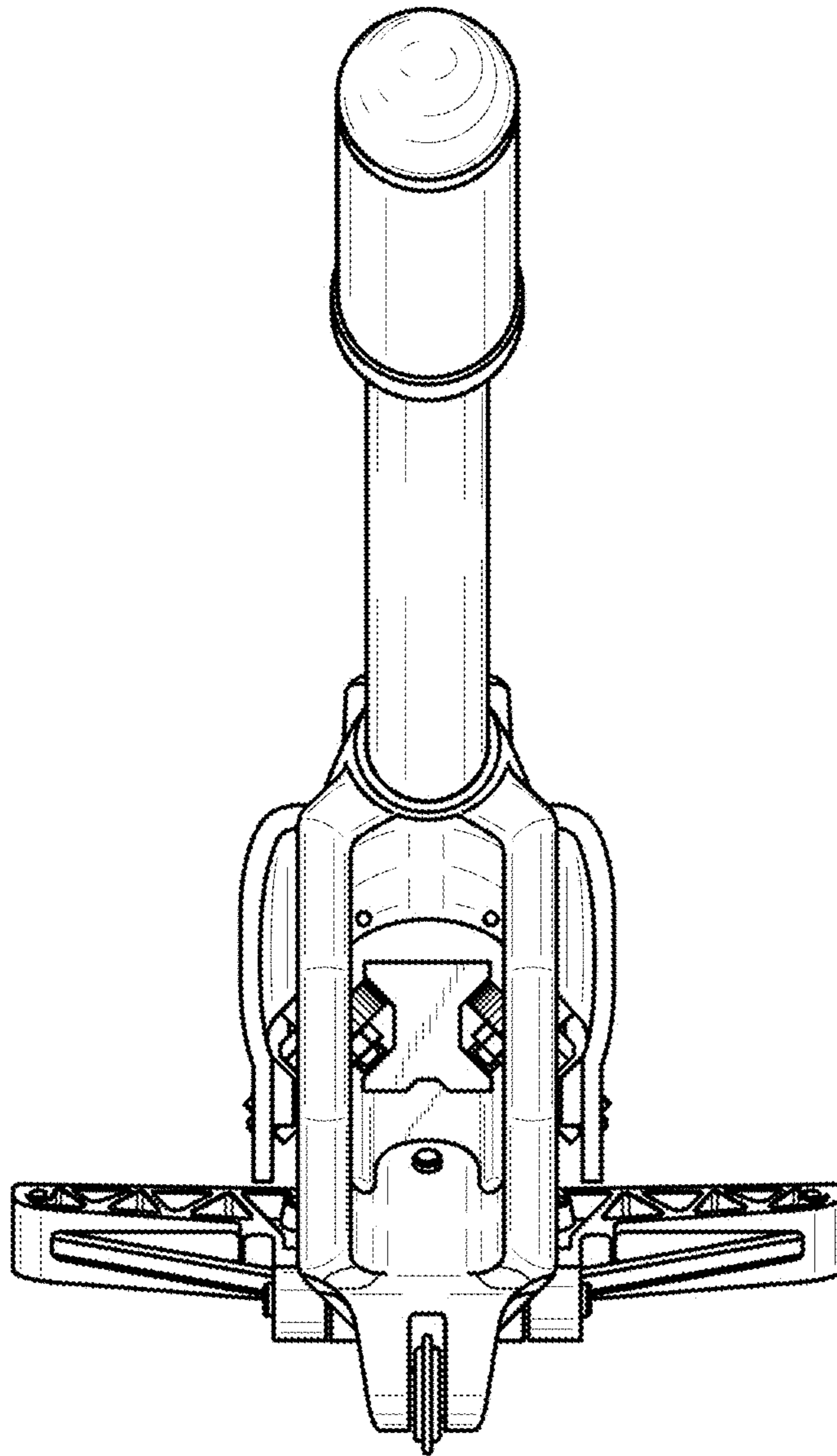


Fig. 3





*Fig. 4*



*Fig. 5*

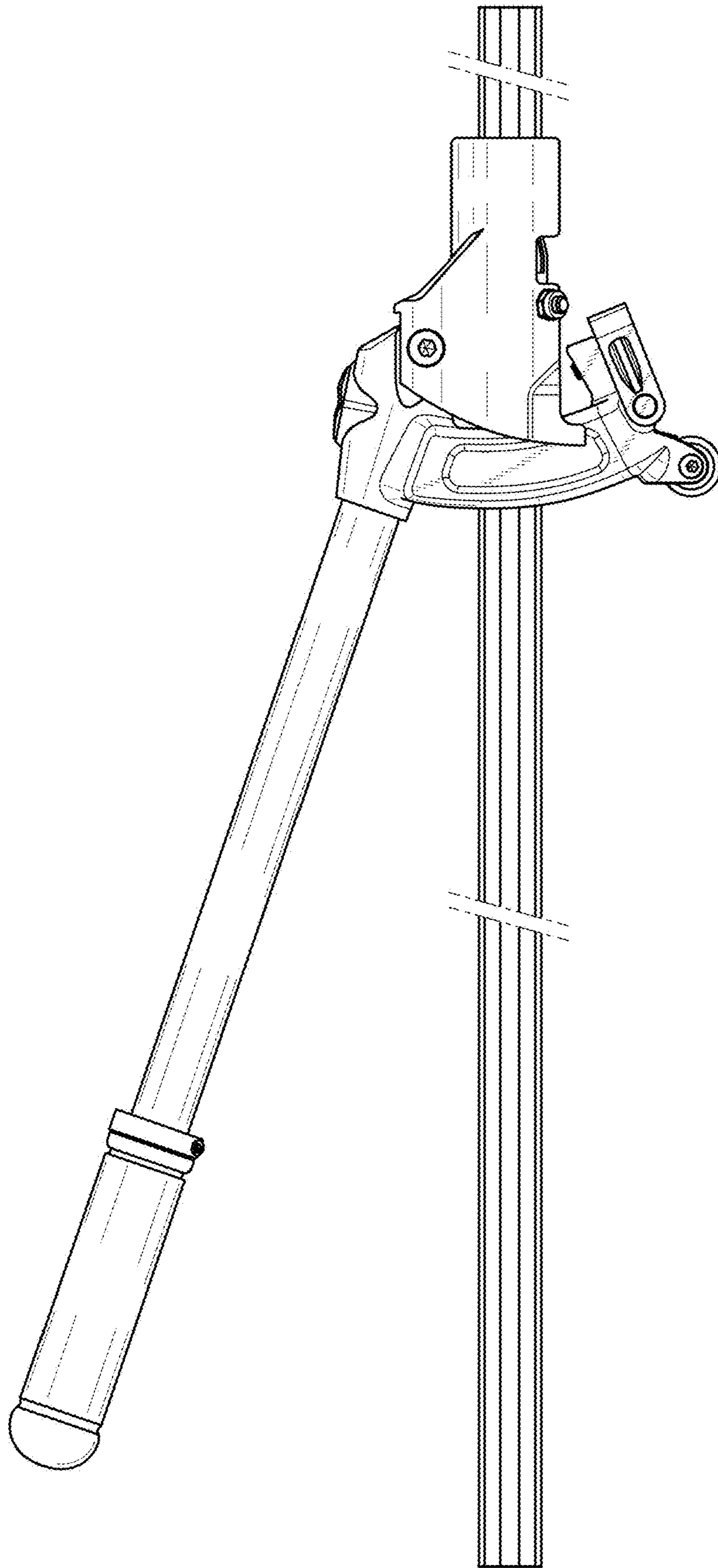


Fig. 6

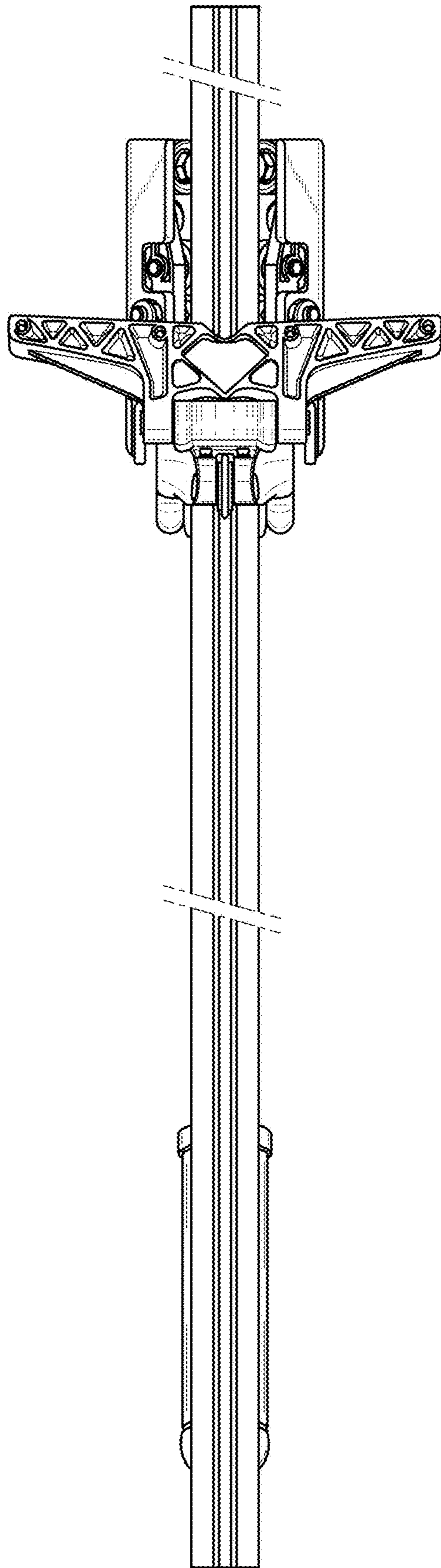


Fig. 7