



US00D858235S

(12) **United States Design Patent** (10) **Patent No.:** **US D858,235 S**  
**Smith** (45) **Date of Patent:** **\*\* Sep. 3, 2019**

(54) **RETRACTABLE GRASPING DEVICE**

**DESCRIPTION**

(71) Applicant: **MLS DESIGN, INC.**, Orlando, FL (US)  
(72) Inventor: **Michael L. Smith**, Orlando, FL (US)  
(73) Assignee: **MLS DESIGN, INC.**, Orlando, FL (US)  
(\*\*) Term: **15 Years**  
(21) Appl. No.: **29/608,261**  
(22) Filed: **Jun. 20, 2017**  
(51) **LOC (12) Cl.** ..... **08-05**  
(52) **U.S. Cl.**  
USPC ..... **D8/51; D8/14**  
(58) **Field of Classification Search**  
USPC ..... D8/14, 51, 107  
CPC ..... B25J 1/00; B25J 1/02; B25J 1/04; A45B 9/04; A45B 3/00  
See application file for complete search history.

(56) **References Cited**

**U.S. PATENT DOCUMENTS**

4,575,143 A \* 3/1986 Nast ..... B25J 1/04 294/100  
4,987,634 A \* 1/1991 Weihrauch ..... A47K 11/10 15/145  
D342,428 S \* 12/1993 Olszak ..... D8/14  
D364,542 S \* 11/1995 Pollard ..... D8/14  
D376,088 S \* 12/1996 Spierer ..... D8/77

(Continued)

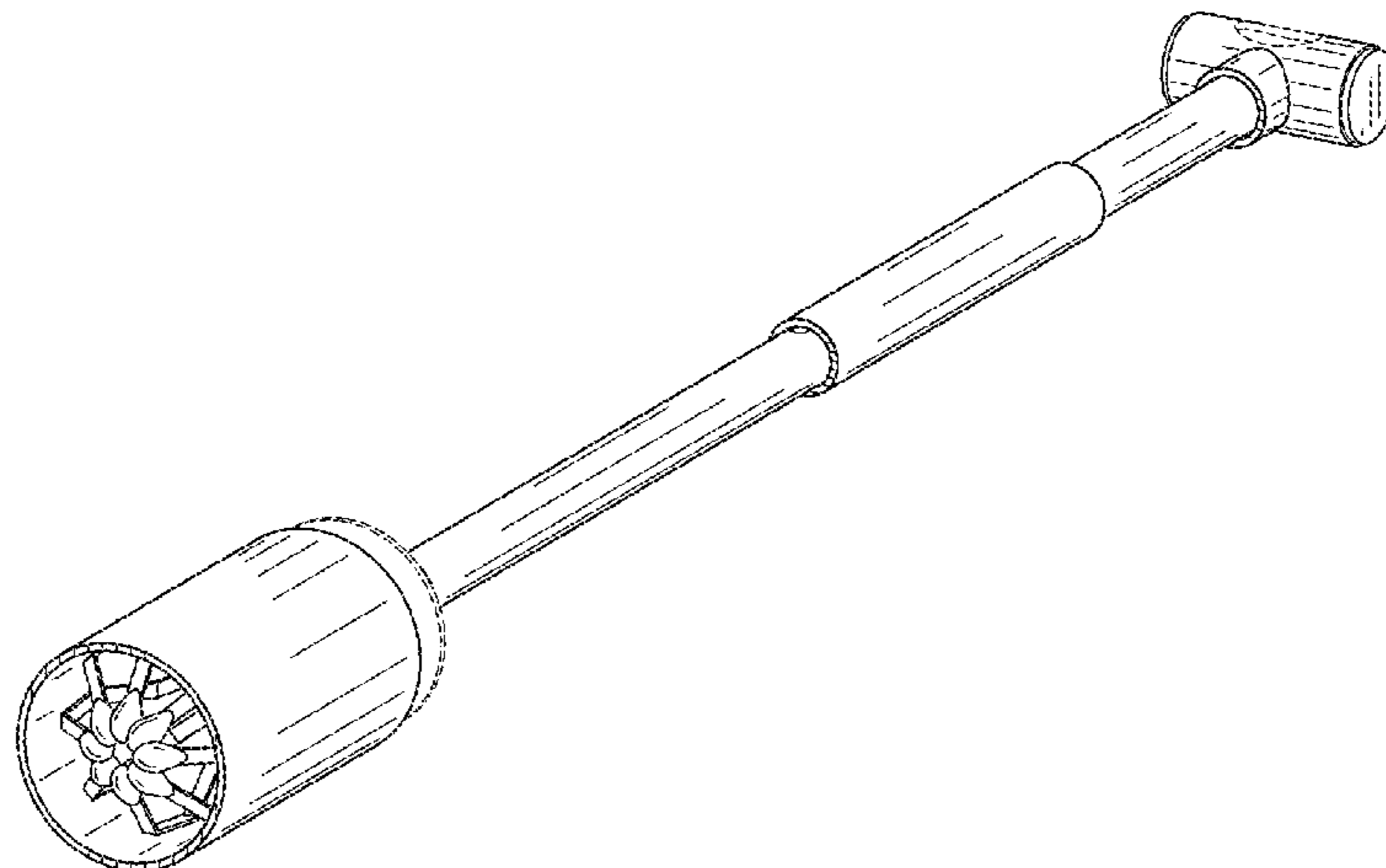
*Primary Examiner* — Philip S Hyder  
(74) *Attorney, Agent, or Firm* — Terry M. Sanks, Esq.;  
Beusse Wolter Sanks & Maier, PLLC

(57) **CLAIM**

I claim the ornamental design for a retractable grasping device, as shown and described.

FIG. 1 is a top, front and right side perspective view of a retractable grasping device, showing my new design, wherein the grasping portion is shown in the retracted position;  
FIG. 2 is a top, front and left side perspective view of the device, wherein the grasping portion is shown in the extended position;  
FIG. 3 is a top, rear and right side perspective view of the device, wherein the grasping portion is shown in the extended position;  
FIG. 4 is a top plan view of the device, wherein the grasping portion is shown in the retracted position;  
FIG. 5 is a bottom plan view of the device, wherein the grasping portion is shown in the extended position;  
FIG. 6 is a left side elevation view of the device, wherein the grasping portion is shown in the retracted position;  
FIG. 7 is a right side elevation view of the device, wherein the grasping portion is shown in the extended position;  
FIG. 8 is a front elevation view of the device; wherein the grasping portion is shown in the retracted position;  
FIG. 9 is a rear elevation view of the device, wherein the grasping portion is shown in the extended position;  
FIG. 10 is a left side elevation view of the device, which is partially in cross section;  
FIG. 11 is a closeup front perspective view of the grasping portion of the device, in the closed position  
FIG. 12 is a closeup front perspective view of the grasping portion of the device, in the open position;  
FIG. 13 is a closeup rear perspective view of the grasping portion of the device, in the open position;  
FIG. 14 is a closeup left side elevation view of the grasping portion of the device, in the closed position; and,  
FIG. 15 is a closeup left side elevation view of the grasping portion of the device, in the open position.  
The broken lines depict portions of the retractable grasping device in which the design is embodied that are not considered part of the claimed design.

**1 Claim, 9 Drawing Sheets**



(56)

**References Cited**

U.S. PATENT DOCUMENTS

6,045,311 A \* 4/2000 Chang ..... B25B 13/04  
411/402  
6,315,340 B1 \* 11/2001 Chen ..... B25B 9/00  
294/100  
D530,577 S \* 10/2006 Hu ..... D8/25  
7,281,740 B1 \* 10/2007 Fields ..... A01B 1/16  
294/100  
7,527,311 B2 \* 5/2009 Shih ..... B25J 1/02  
294/100  
D615,832 S \* 5/2010 Patti ..... D8/14  
8,471,900 B1 \* 6/2013 Phelps ..... G02B 23/2476  
348/84  
D721,933 S \* 2/2015 Azevedo ..... D8/14  
D807,022 S \* 1/2018 Conley ..... D3/7

\* cited by examiner

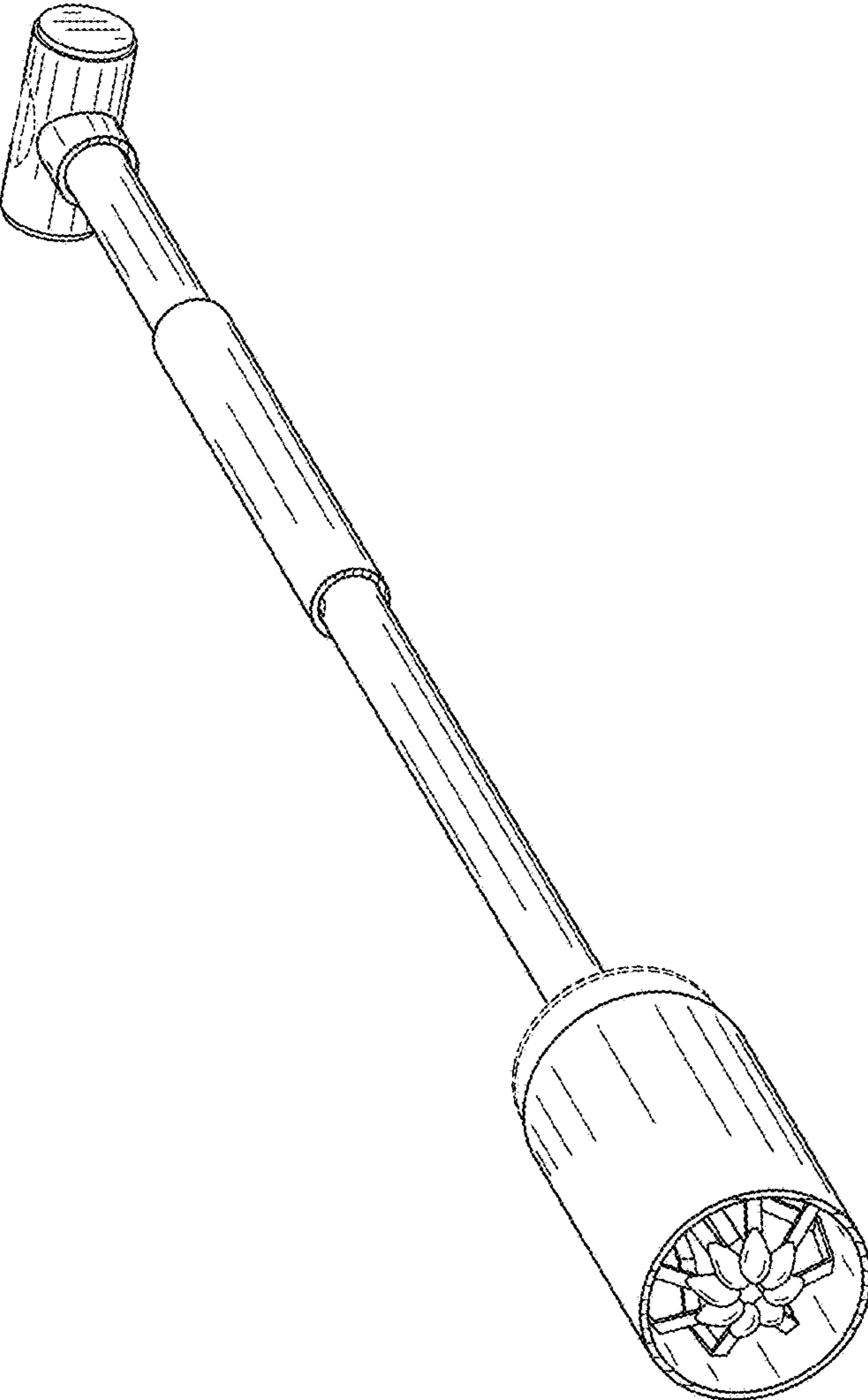


FIG. 1

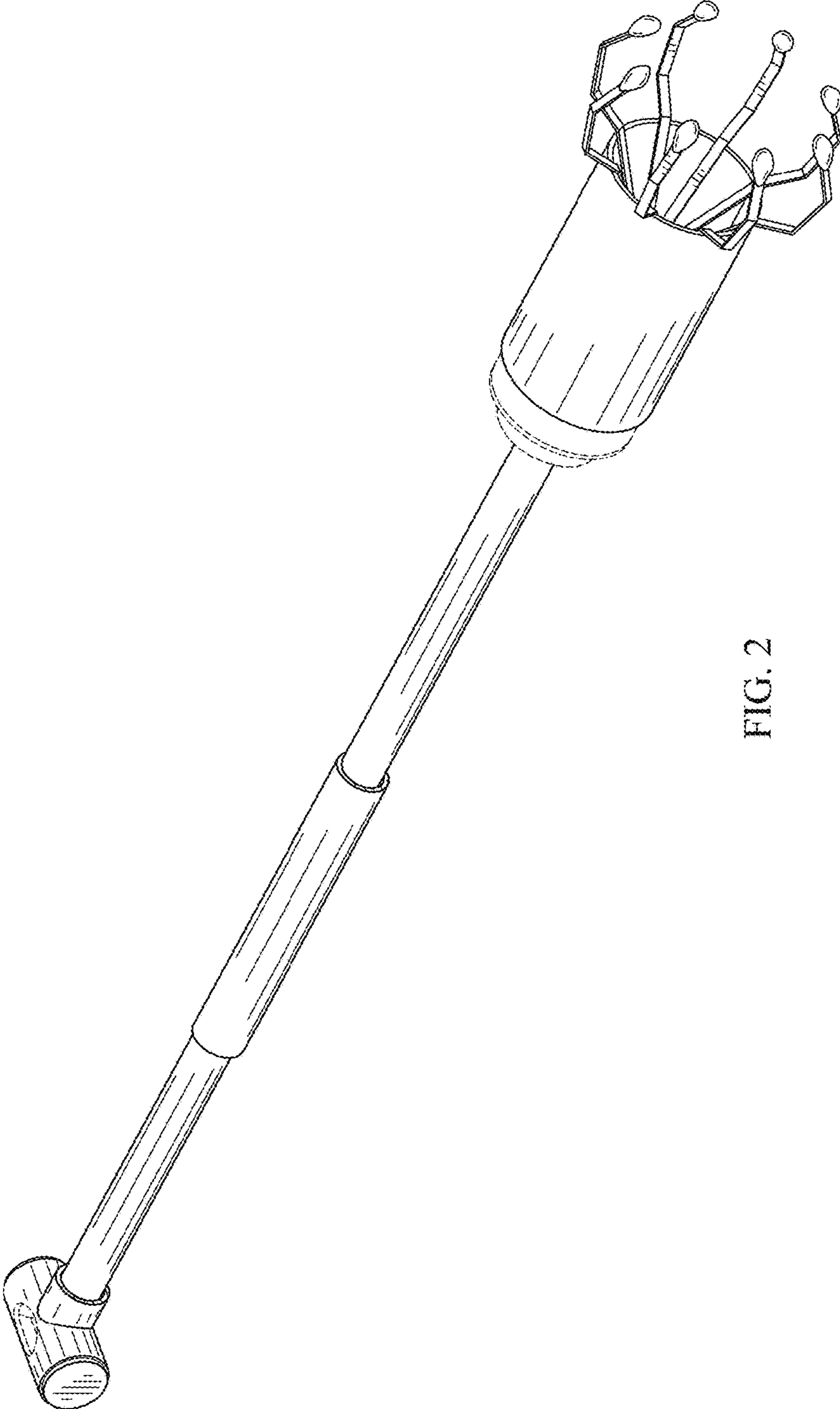


FIG. 2

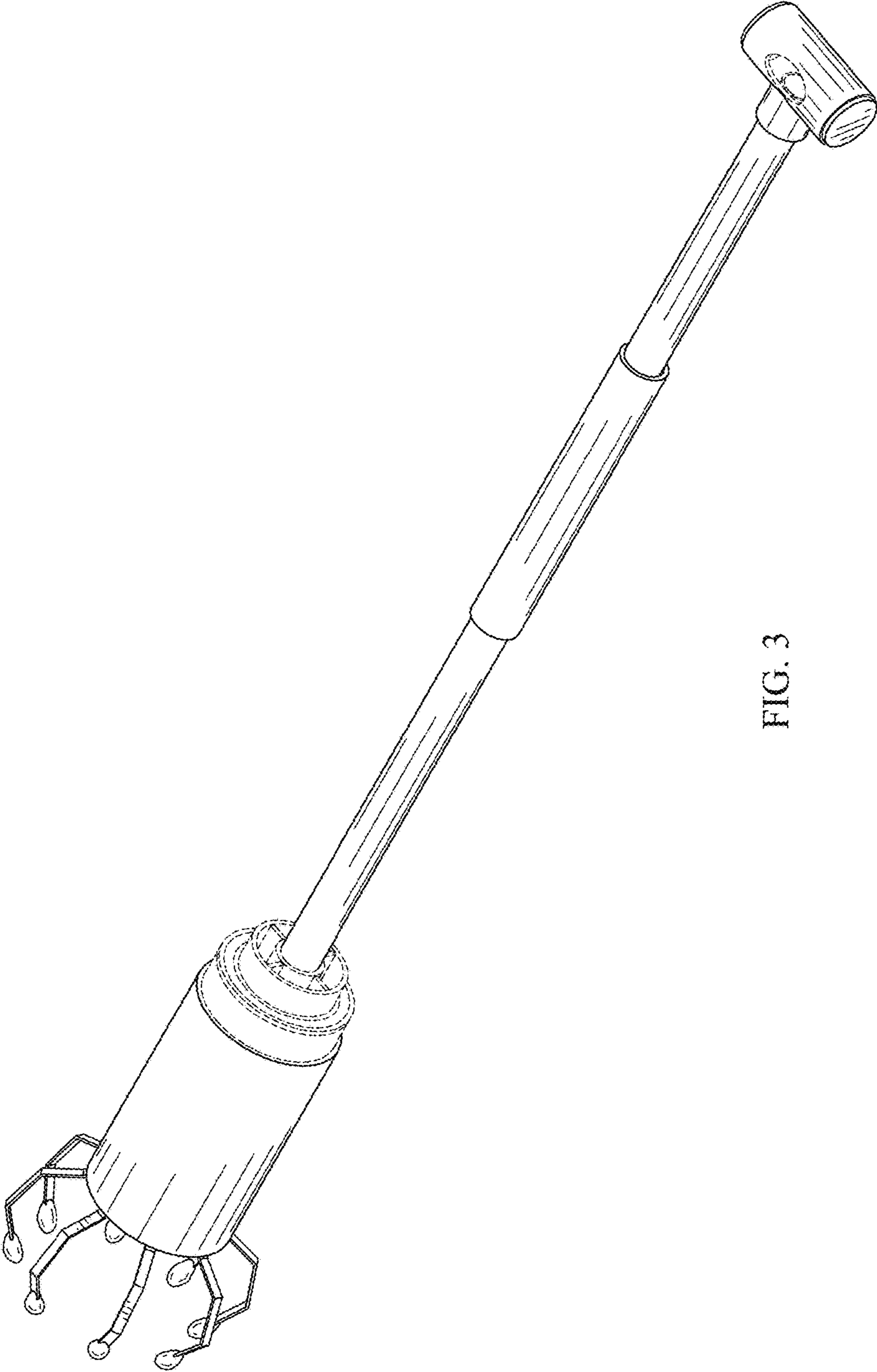


FIG. 3

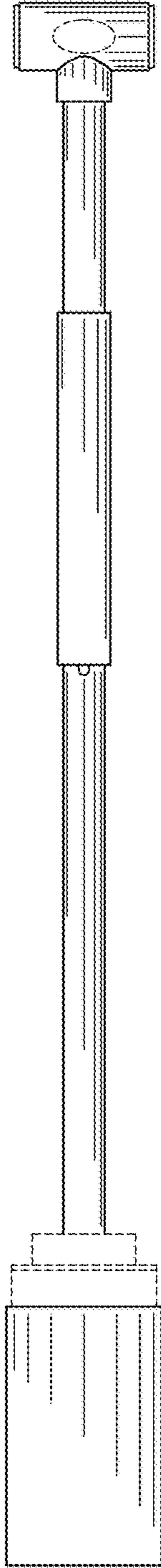


FIG. 4

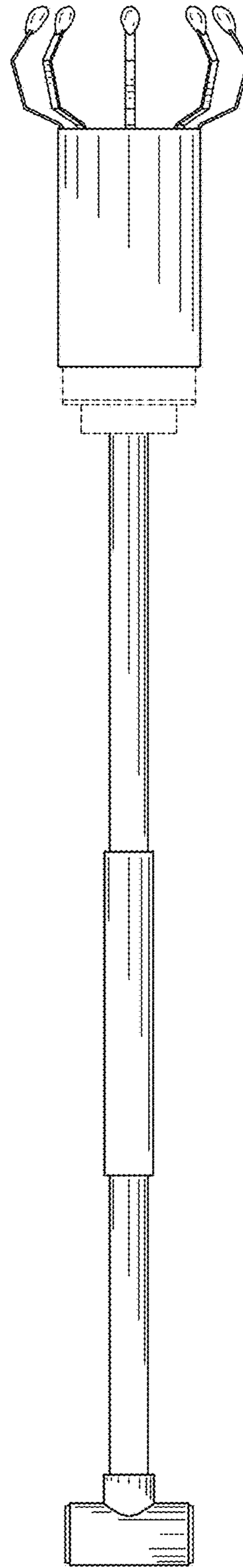


FIG. 5

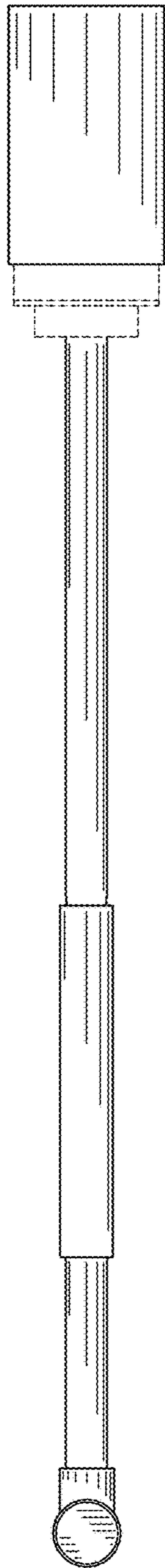


FIG. 6

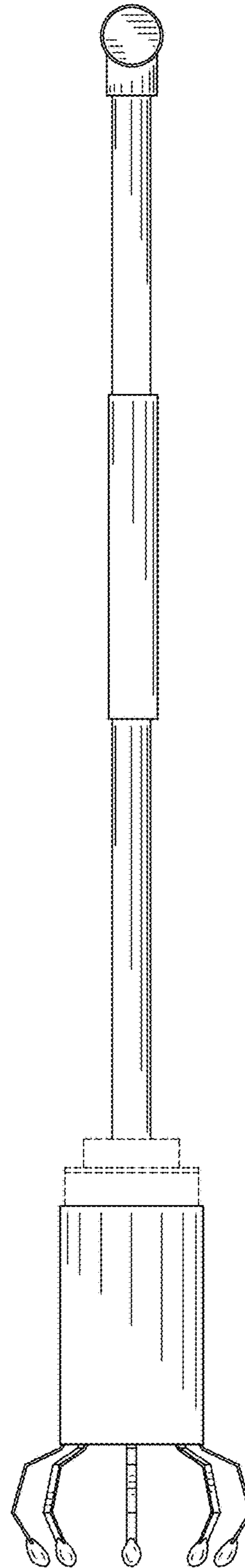


FIG. 7

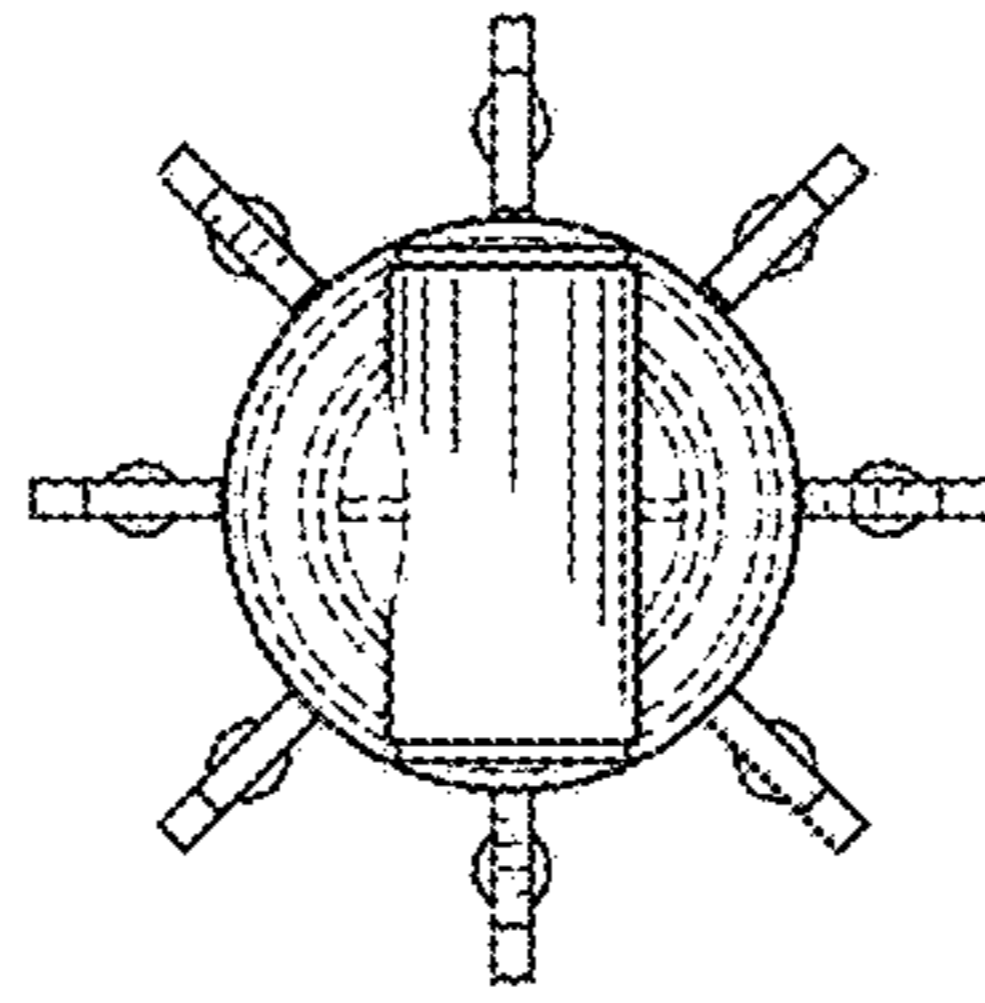


FIG. 9

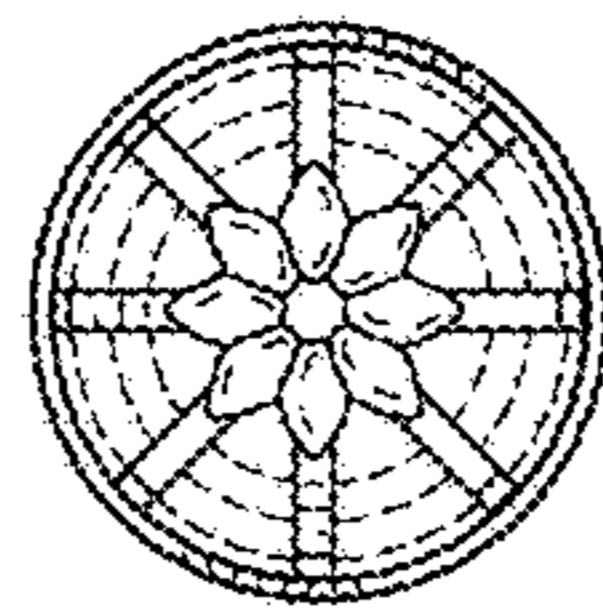


FIG. 8



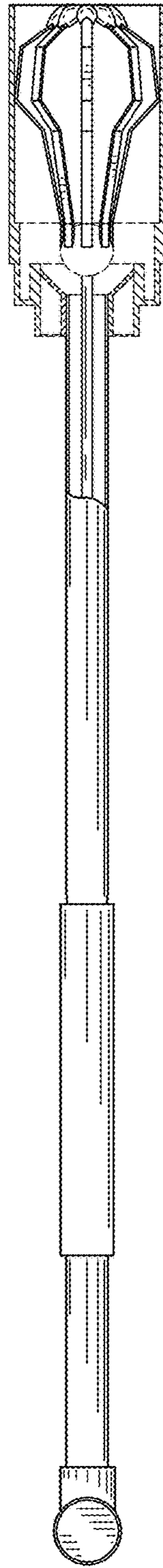


FIG. 10

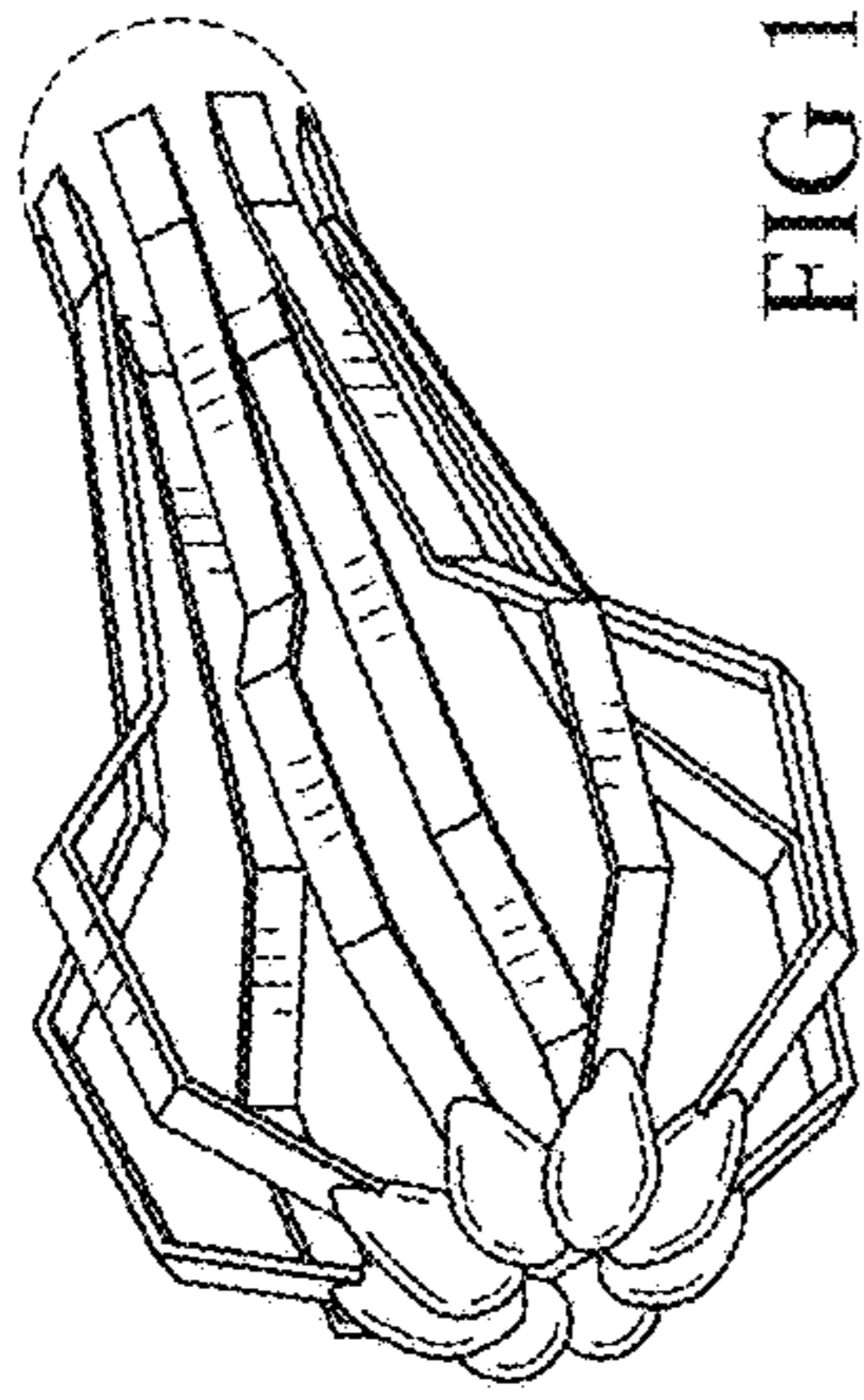


FIG. 11

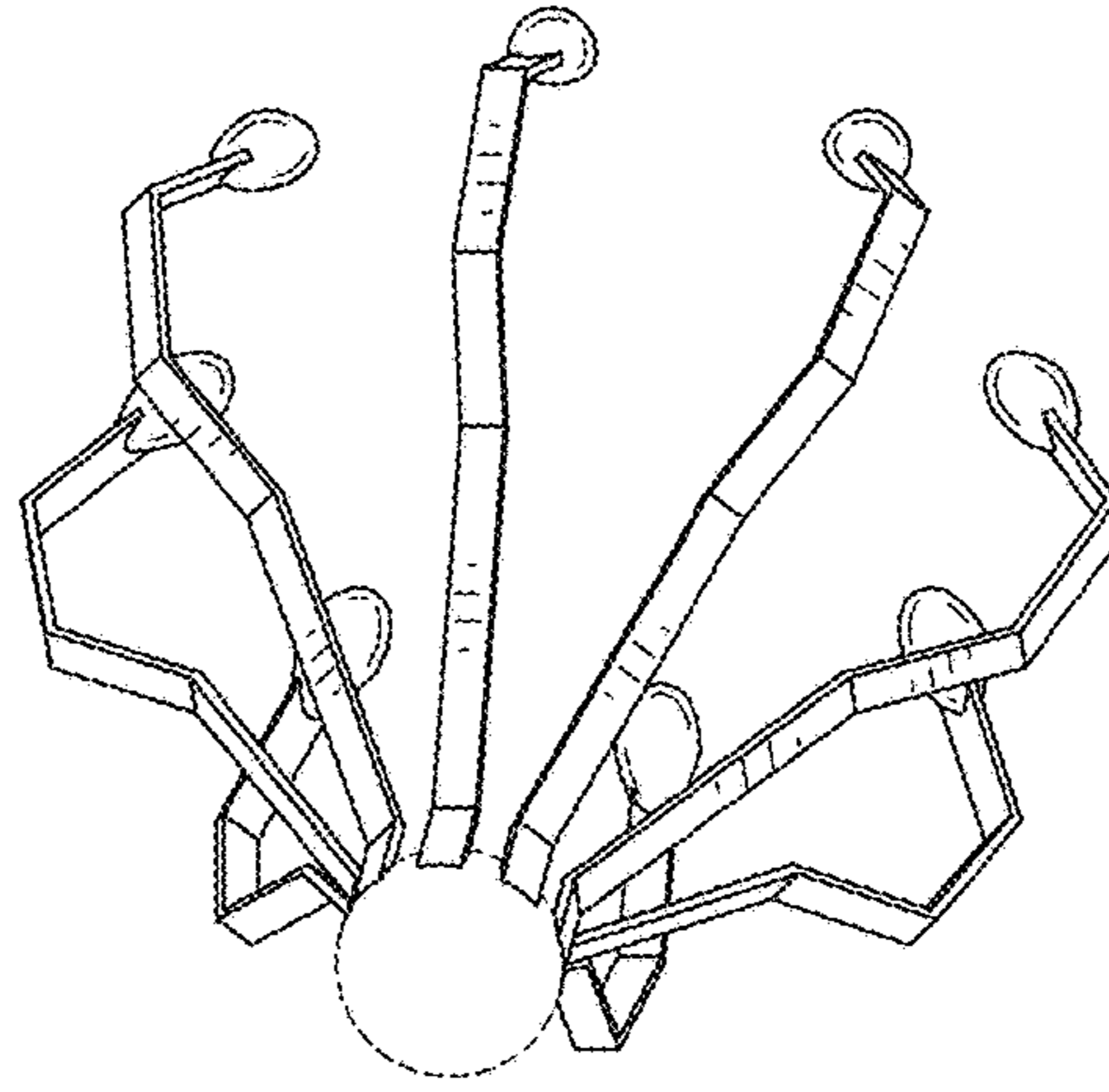


FIG. 13

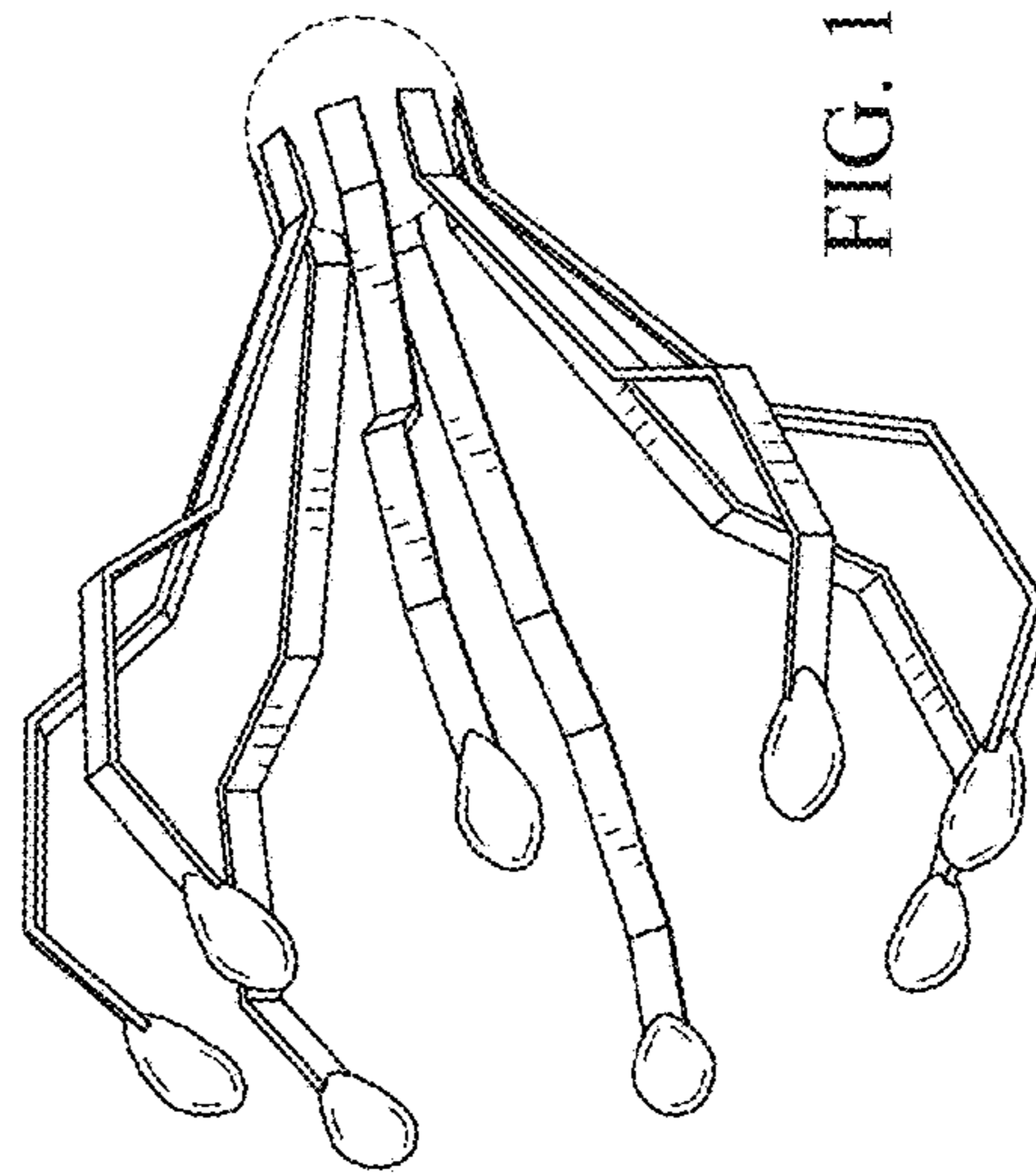


FIG. 12

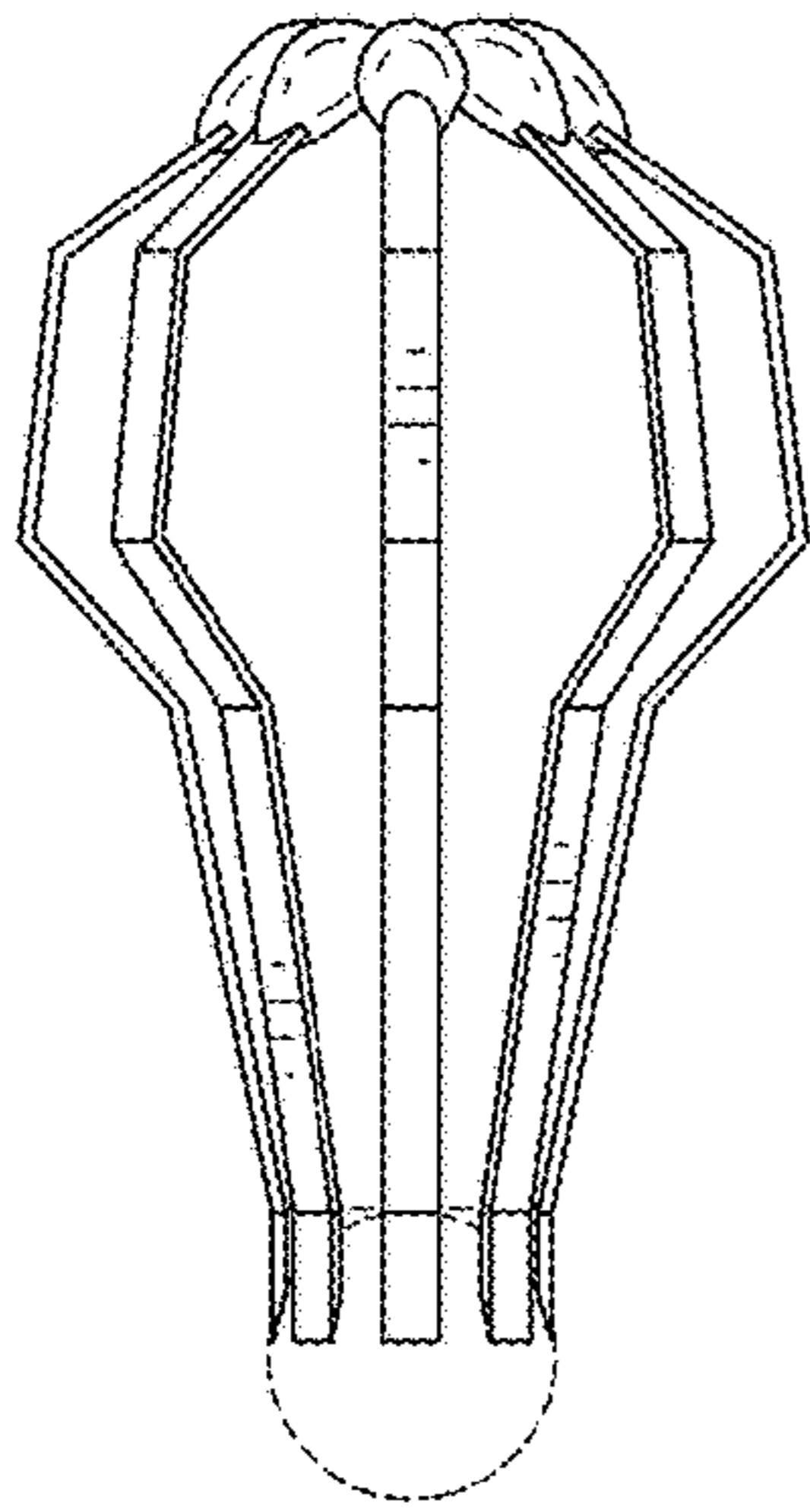


FIG. 14

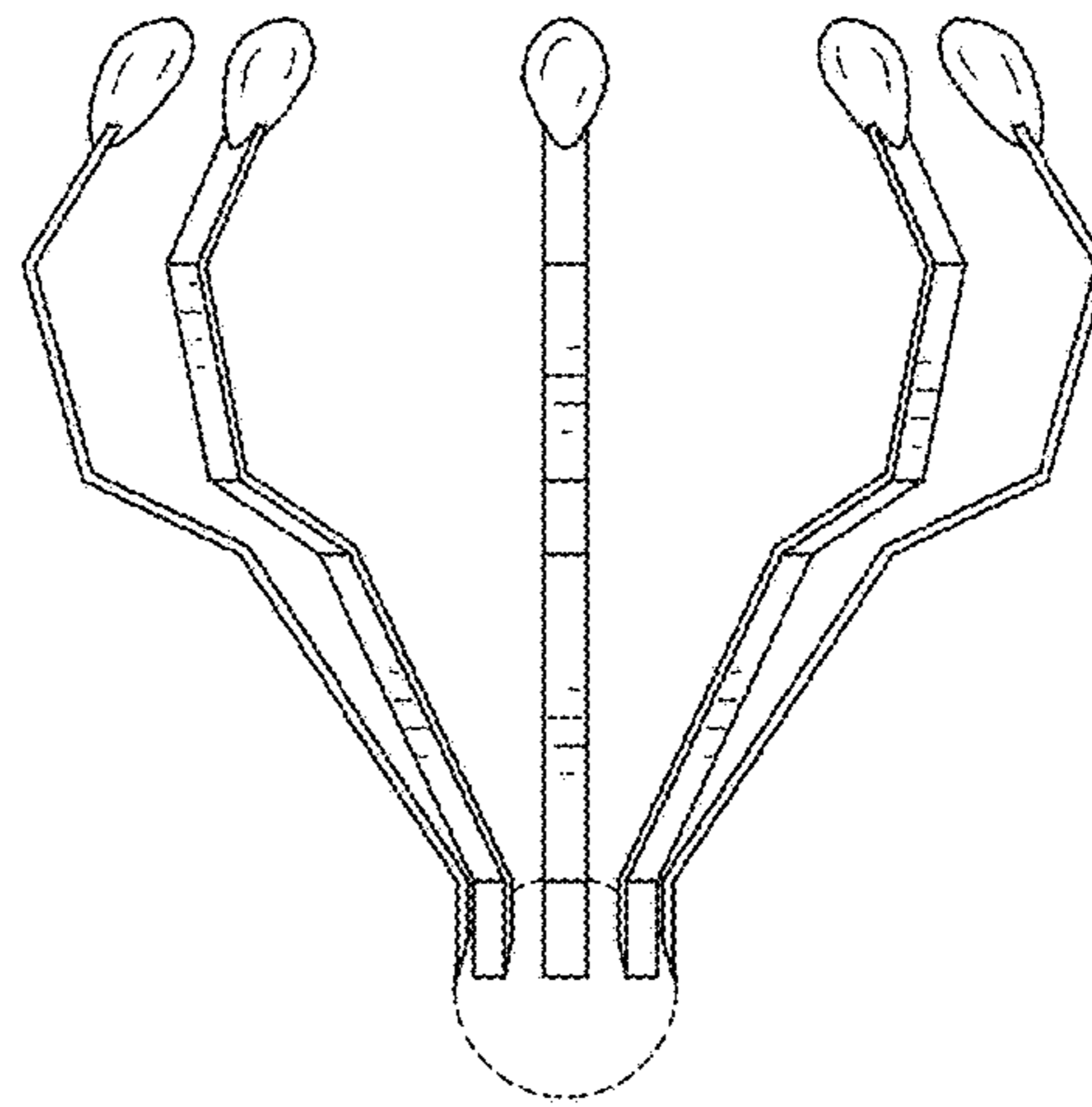


FIG. 15