



US00D858233S

(12) **United States Design Patent** (10) **Patent No.:** **US D858,233 S**  
**Liu** (45) **Date of Patent:** **\*\* Sep. 3, 2019**

(54) **DRIVING PORTION STRUCTURE FOR WRENCH**

D823,083 S \* 7/2018 Lee ..... D8/25  
D840,777 S \* 2/2019 Swisher ..... D8/25

(71) Applicant: **Chao-Chih Liu**, Taichung (TW)

\* cited by examiner

(72) Inventor: **Chao-Chih Liu**, Taichung (TW)

*Primary Examiner* — Randall H Gholson

(\*\*) Term: **15 Years**

(57) **CLAIM**

(21) Appl. No.: **29/654,971**

The ornamental design for a driving portion structure for wrench, as shown and described.

(22) Filed: **Jun. 28, 2018**

(51) **LOC (12) Cl.** ..... **08-05**

**DESCRIPTION**

(52) **U.S. Cl.**  
USPC ..... **D8/25**; D8/28

(58) **Field of Classification Search**  
USPC ..... D8/17, 21, 25, 27, 28, 29; 81/58, 58.2, 81/119, 124.2, 124.4, 125.1, 186, 121.1  
CPC ..... B25B 13/02; B25B 13/08; B25B 13/04; B25B 13/065; B25B 13/06  
See application file for complete search history.

FIG. 1 is a front-right-top perspective view of the driving portion structure for wrench showing my new design; FIG. 2 is a front elevational view thereof; FIG. 3 is a rear front elevational view thereof; FIG. 4 is a left side elevational view thereof; FIG. 5 is a right side elevational view thereof; FIG. 6 is a top plan view thereof; and, FIG. 7 is a bottom plan view thereof.

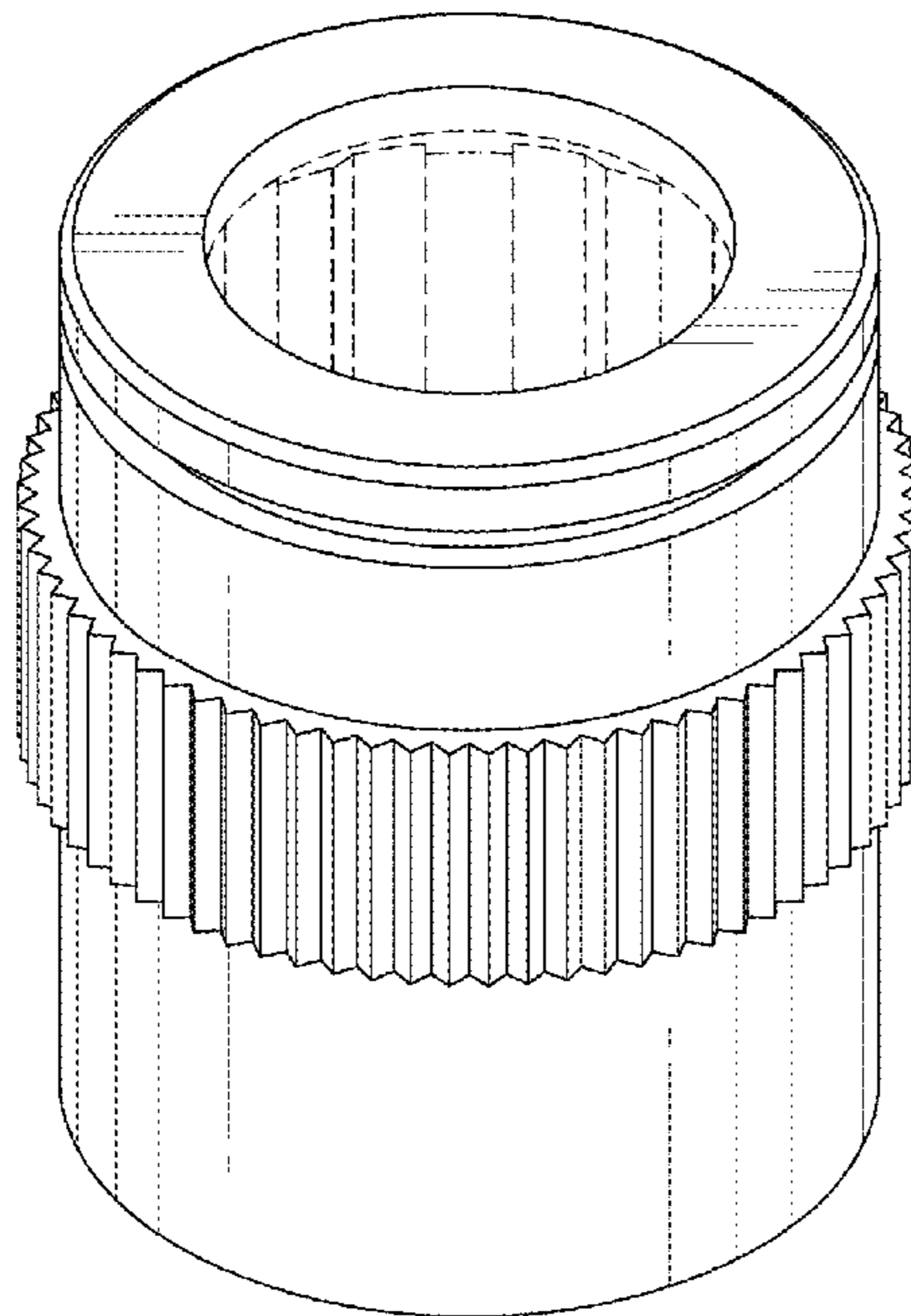
The broken lines in the FIGS. 7-9 illustrate portions of the driving portion structure for wrench which form no part of the claimed design.

(56) **References Cited**

U.S. PATENT DOCUMENTS

D638,059 S \* 5/2011 Penke ..... D18/55

**1 Claim, 6 Drawing Sheets**



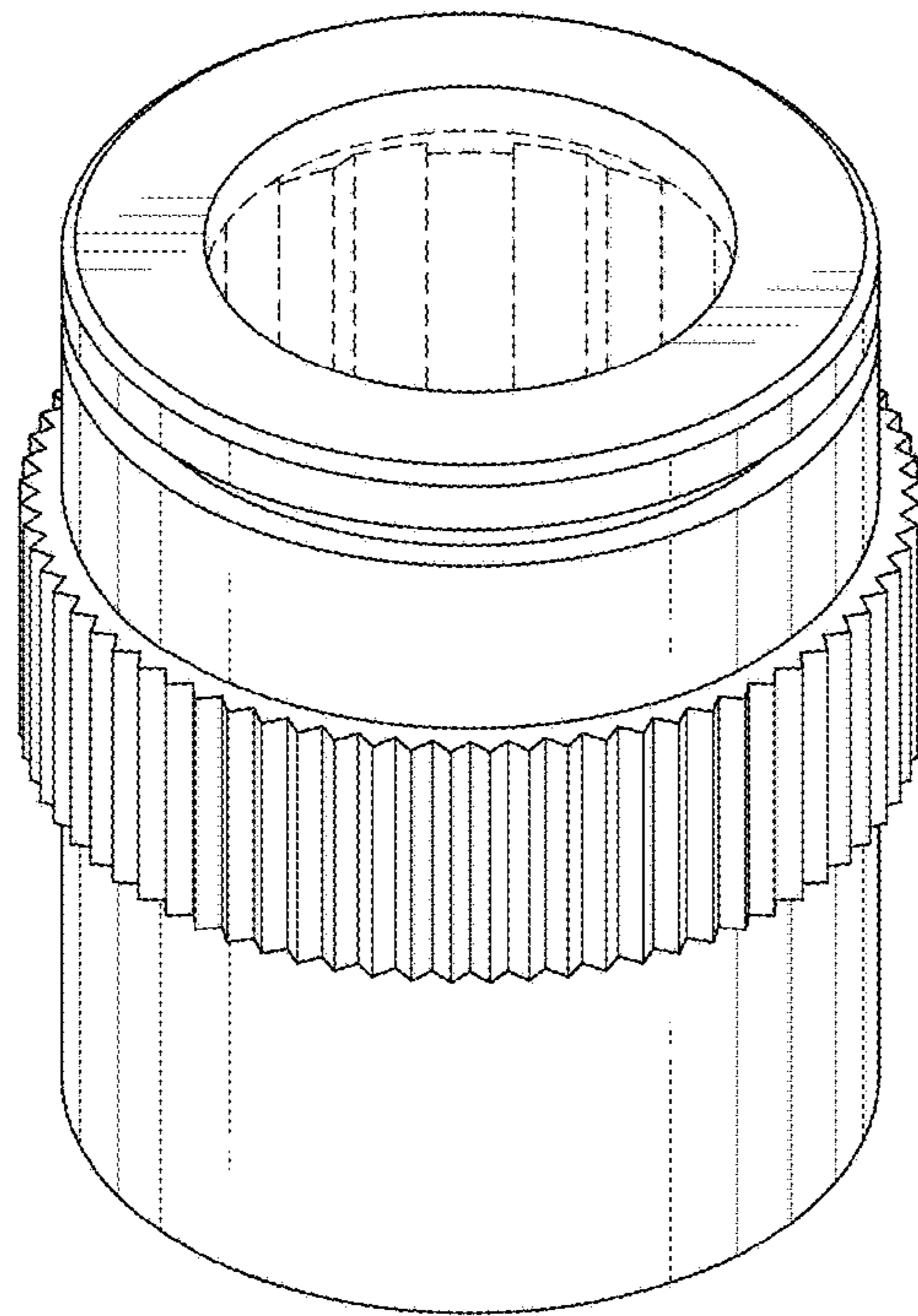


FIG.1

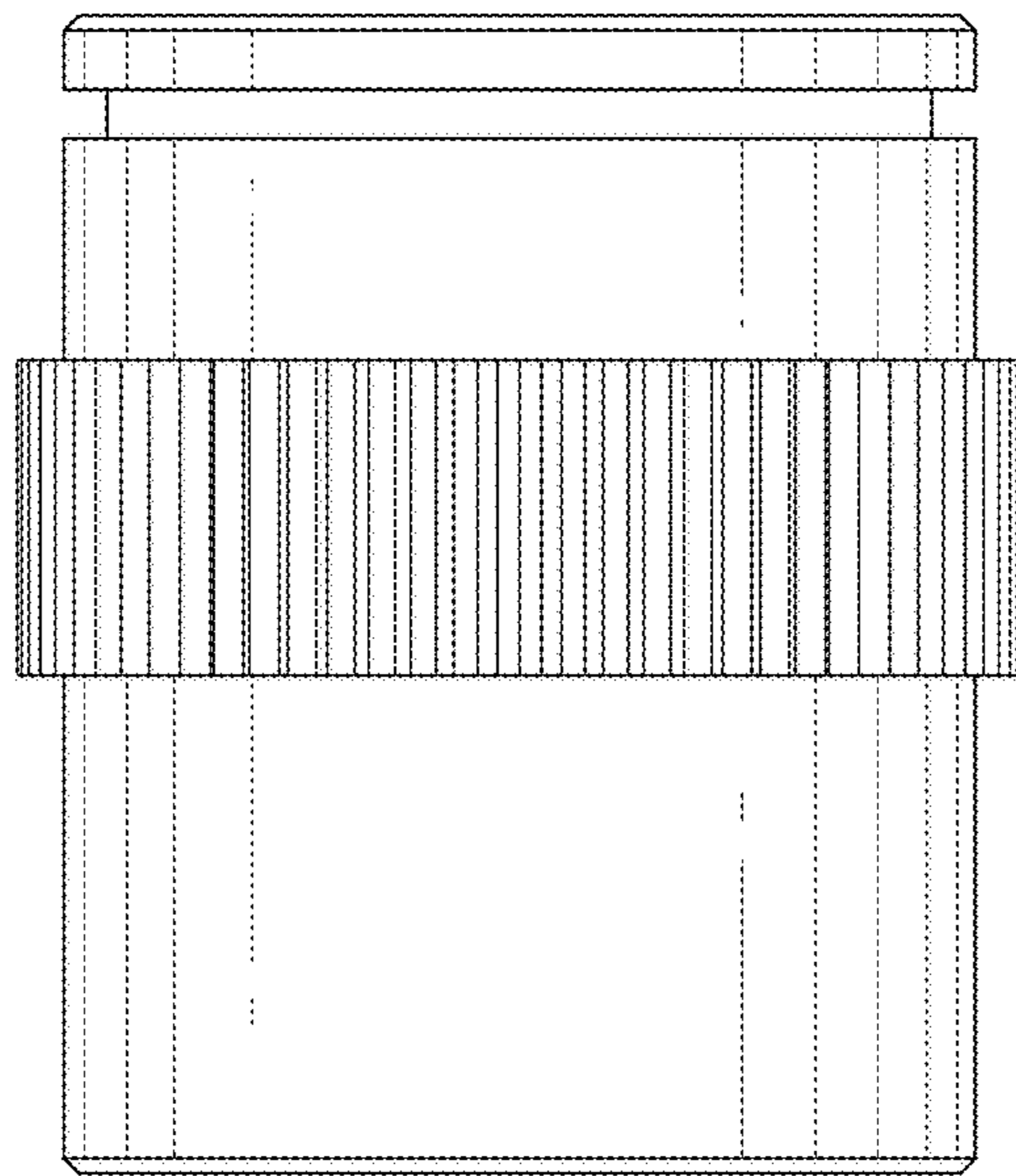


FIG.2

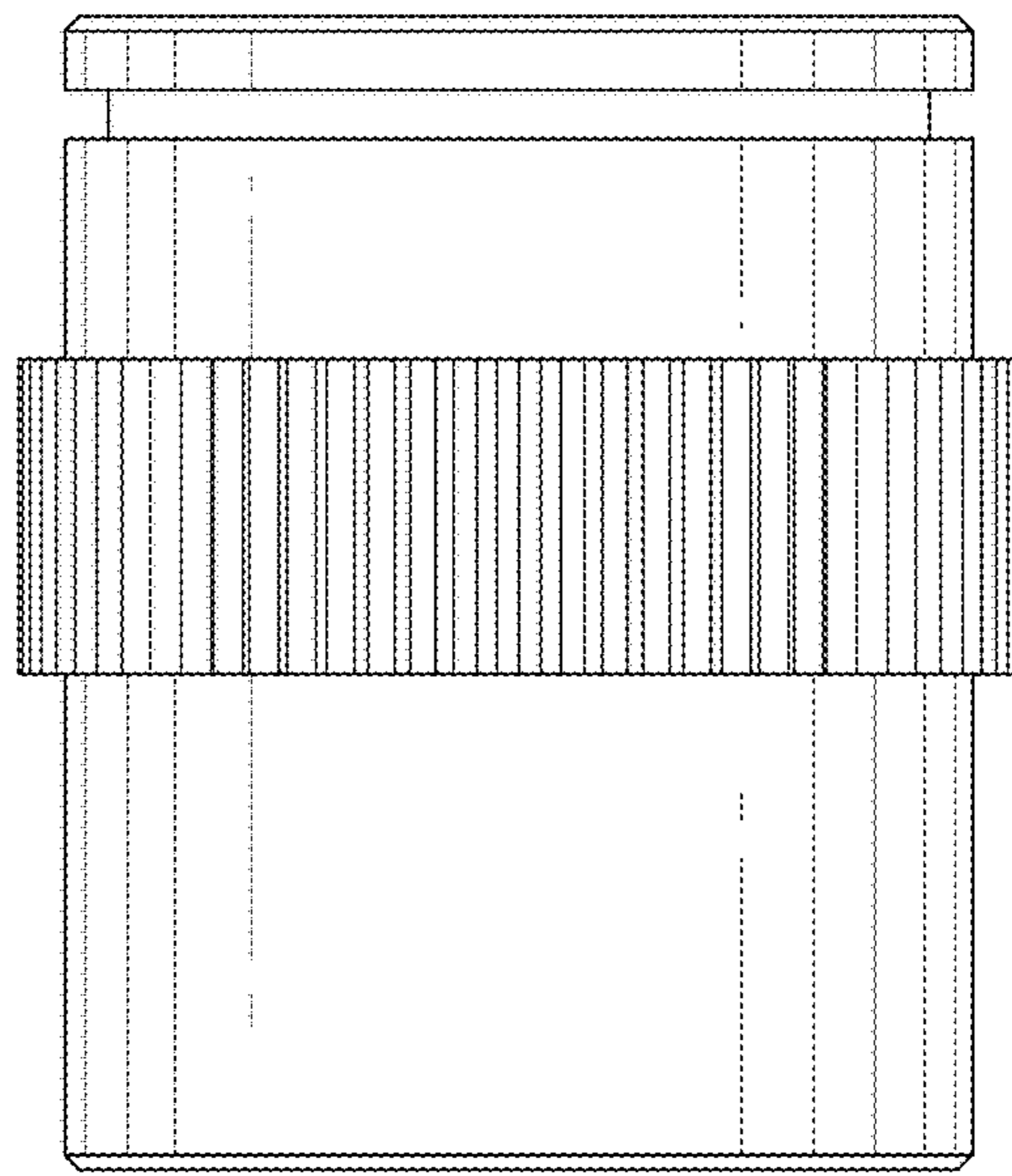


FIG.3

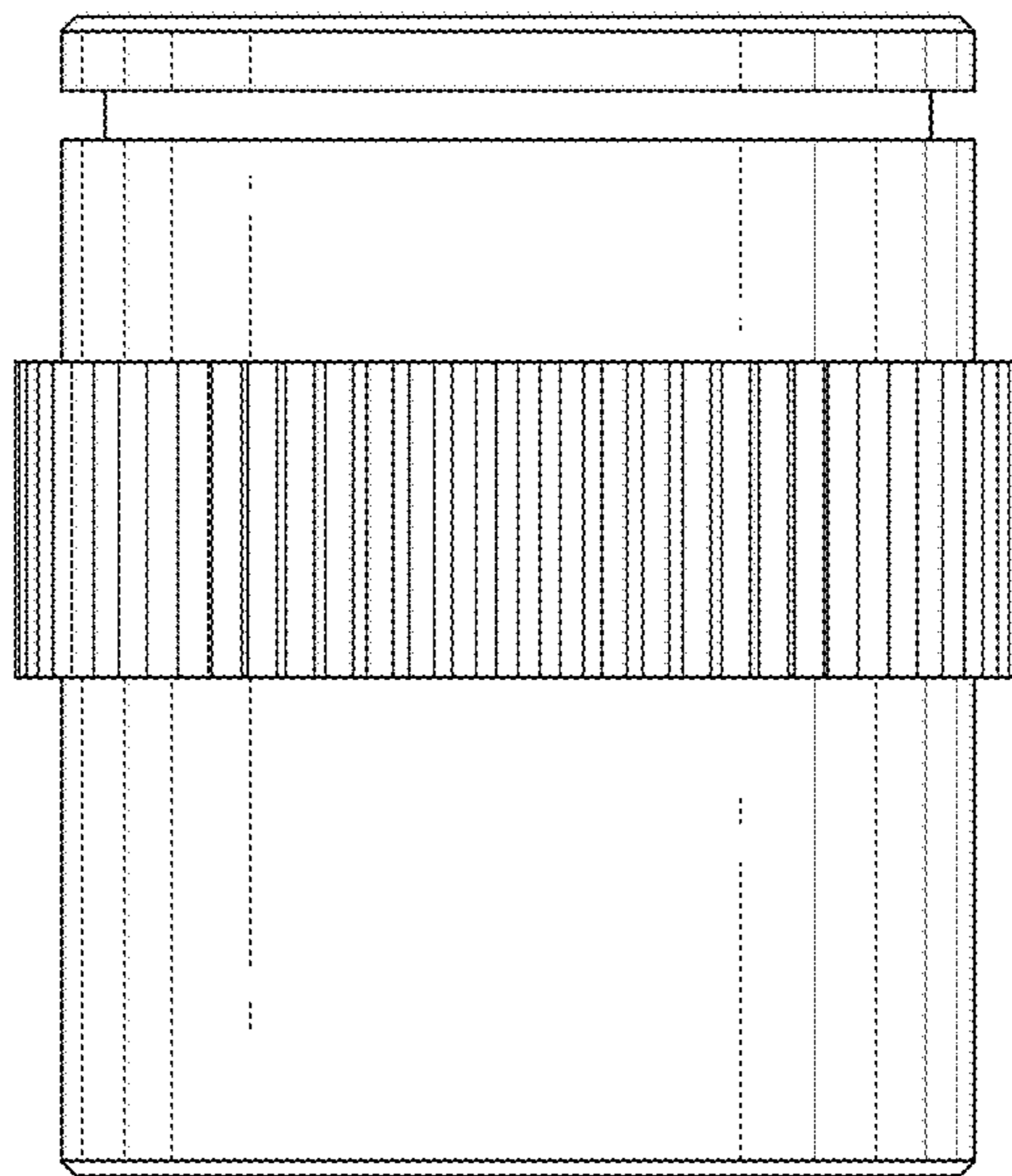


FIG.4

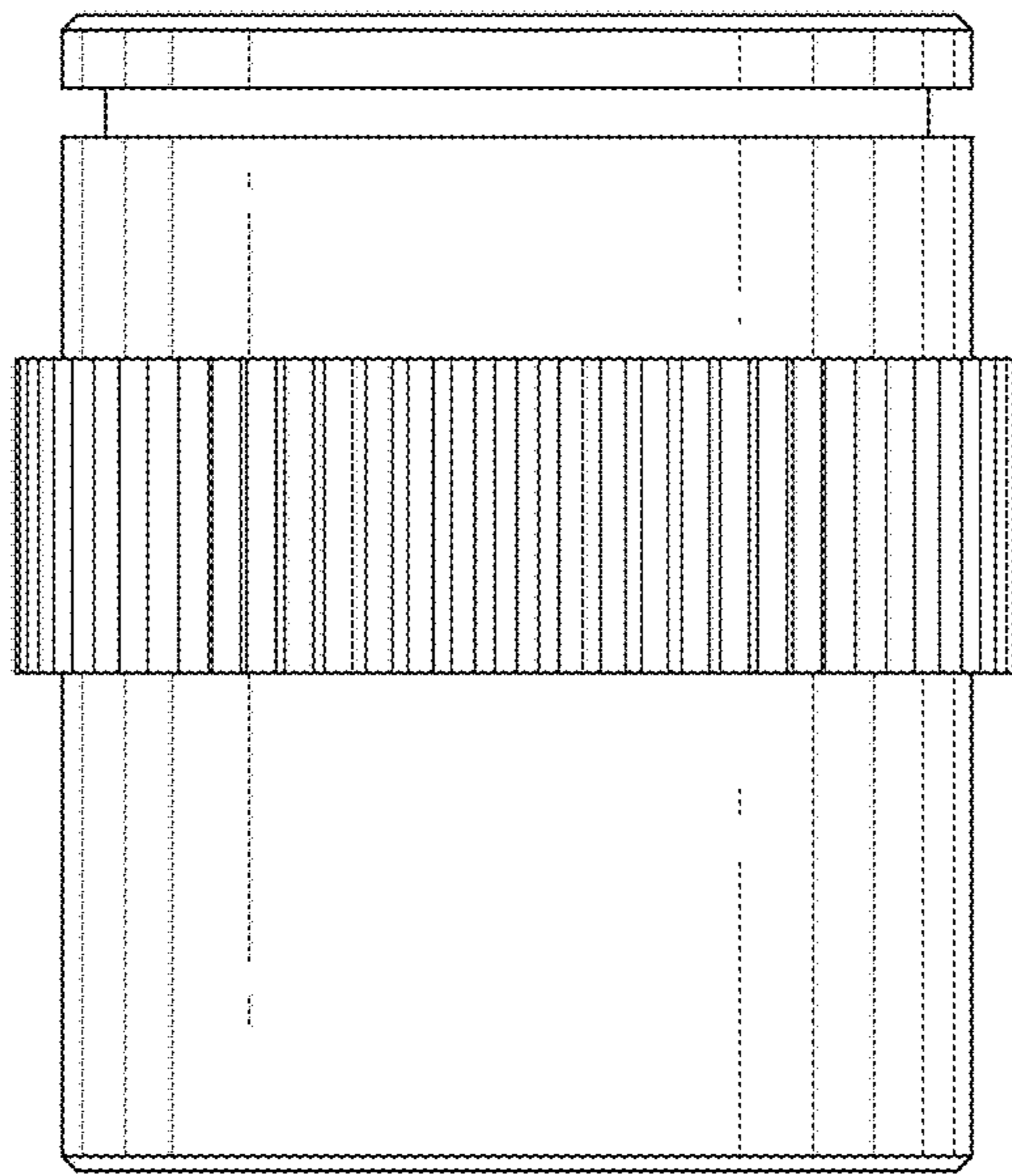


FIG.5

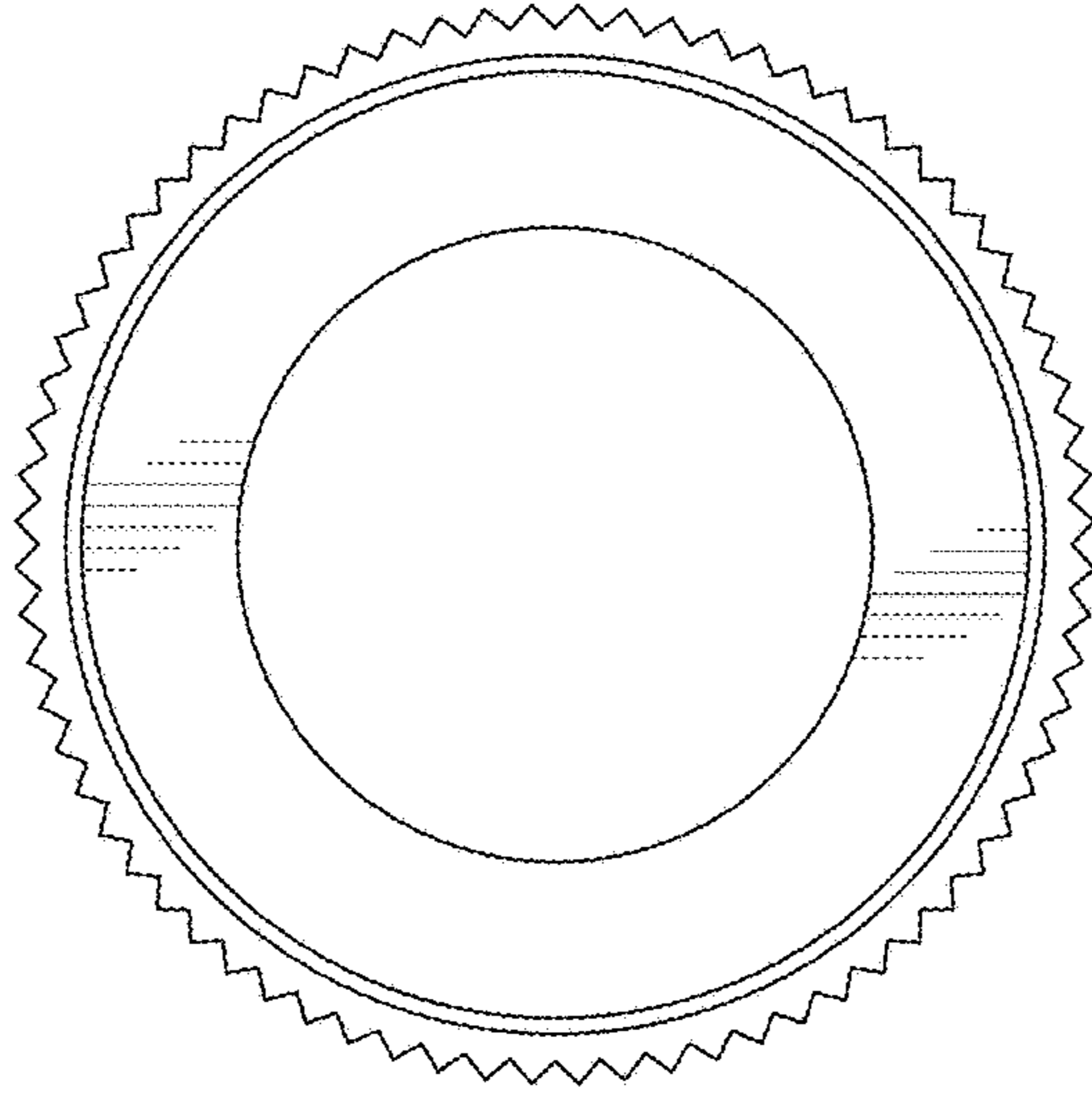


FIG.6

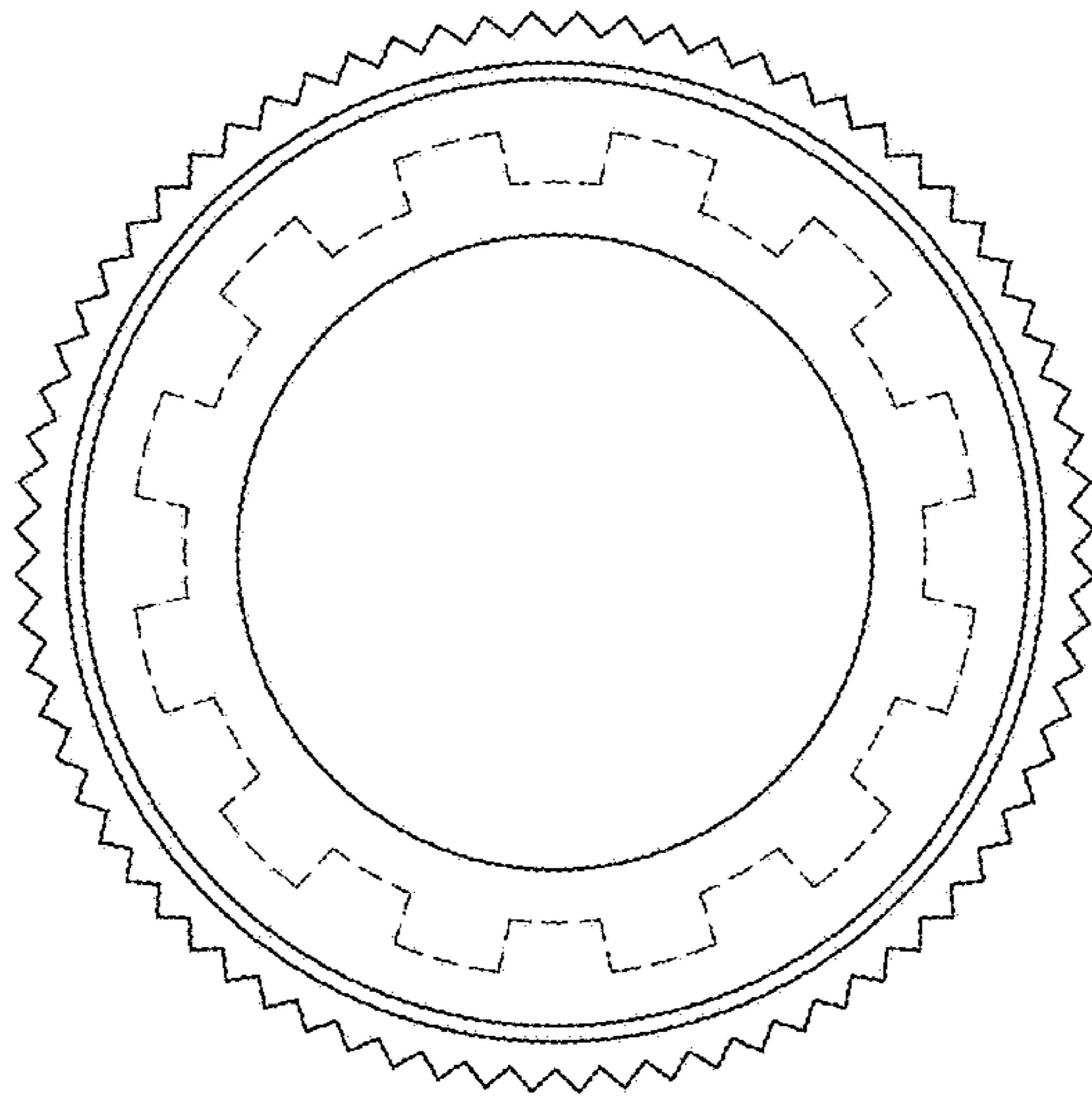


FIG.7