



US00D858232S

(12) **United States Design Patent** (10) **Patent No.:** **US D858,232 S**
Gehrke (45) **Date of Patent:** **** Sep. 3, 2019**

(54) **ADJUSTABLE WRENCH WITH RECESSED JAWS**

2003/0196526 A1 10/2003 Wang
2008/0216615 A1 9/2008 Wu

(71) Applicant: **Steven Gehrke**, Pawtucket, RI (US)

OTHER PUBLICATIONS

(72) Inventor: **Steven Gehrke**, Pawtucket, RI (US)

Stanley Fatmax 8 in Ratcheting Adjustable Wrench , Jul. 23, 2018, <https://www.stanleytools.com/product-repository/products-stanleytools/2016/06/28/04/13/fmht75079>.

(**) Term: **15 Years**

* cited by examiner

(21) Appl. No.: **29/658,424**

Primary Examiner — Randall H Gholson
(74) *Attorney, Agent, or Firm* — Global Intellectual Property Agency, LLC; Daniel Boudwin

(22) Filed: **Jul. 31, 2018**

(57) **CLAIM**

(51) **LOC (12) Cl.** **08-05**

The ornamental design for an adjustable wrench with recessed jaws, as shown and described.

(52) **U.S. Cl.**

DESCRIPTION

USPC **D8/22**

(58) **Field of Classification Search**

USPC D8/21, 22; 81/119, 179, 186, 165, 490, 81/170, 166, 167, 145, 146, 147, 129, 81/155, 133, 177.2, 52, 56, 57.15, 57.21, 81/DIG. 3; 16/110.1

CPC B25B 13/00; B25B 13/10

See application file for complete search history.

FIG. 1 shows a perspective view of an adjustable wrench with recessed jaws;
FIG. 2 shows a top plan view of the adjustable wrench with recessed jaws;
FIG. 3 shows a bottom plan view of the adjustable wrench with recessed jaws;
FIG. 4 shows a right side view of the adjustable wrench with recessed jaws;
FIG. 5 shows a left side view of the adjustable wrench with recessed jaws;
FIG. 6 shows a front view of the adjustable wrench with recessed jaws; and,
FIG. 7 shows a rear view of the adjustable wrench with recessed jaws.

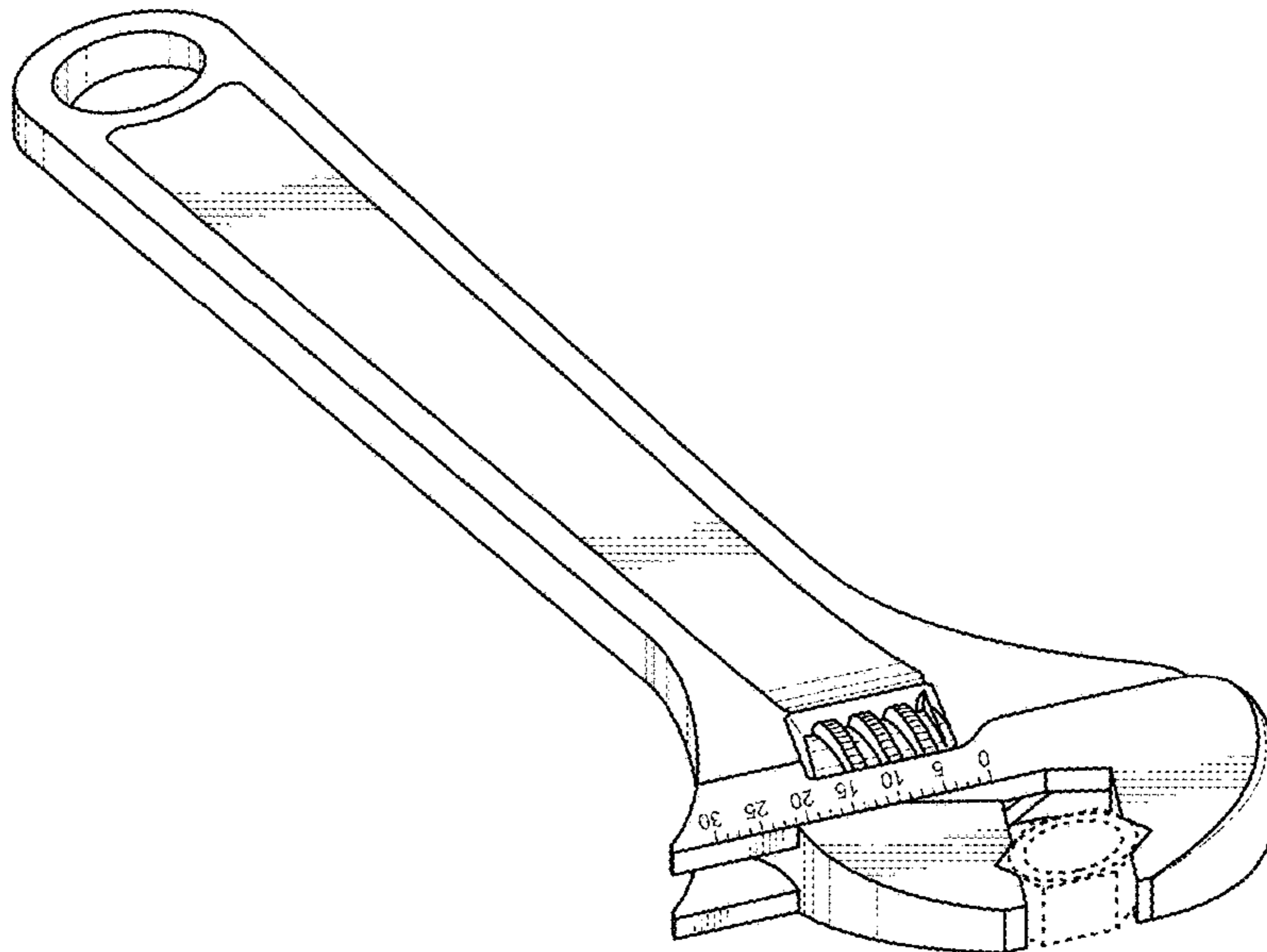
The shade lines in the Figures show contour and not surface ornamentation.

(56) **References Cited**

U.S. PATENT DOCUMENTS

3,894,451 A	7/1975	Putsch	
4,989,479 A	2/1991	Anderson et al.	
5,351,585 A	10/1994	Leseberg et al.	
D724,399 S *	3/2015	Chern	D8/22
D737,643 S *	9/2015	Foltyn	D8/22
D817,731 S *	5/2018	Wong	D8/22

1 Claim, 5 Drawing Sheets



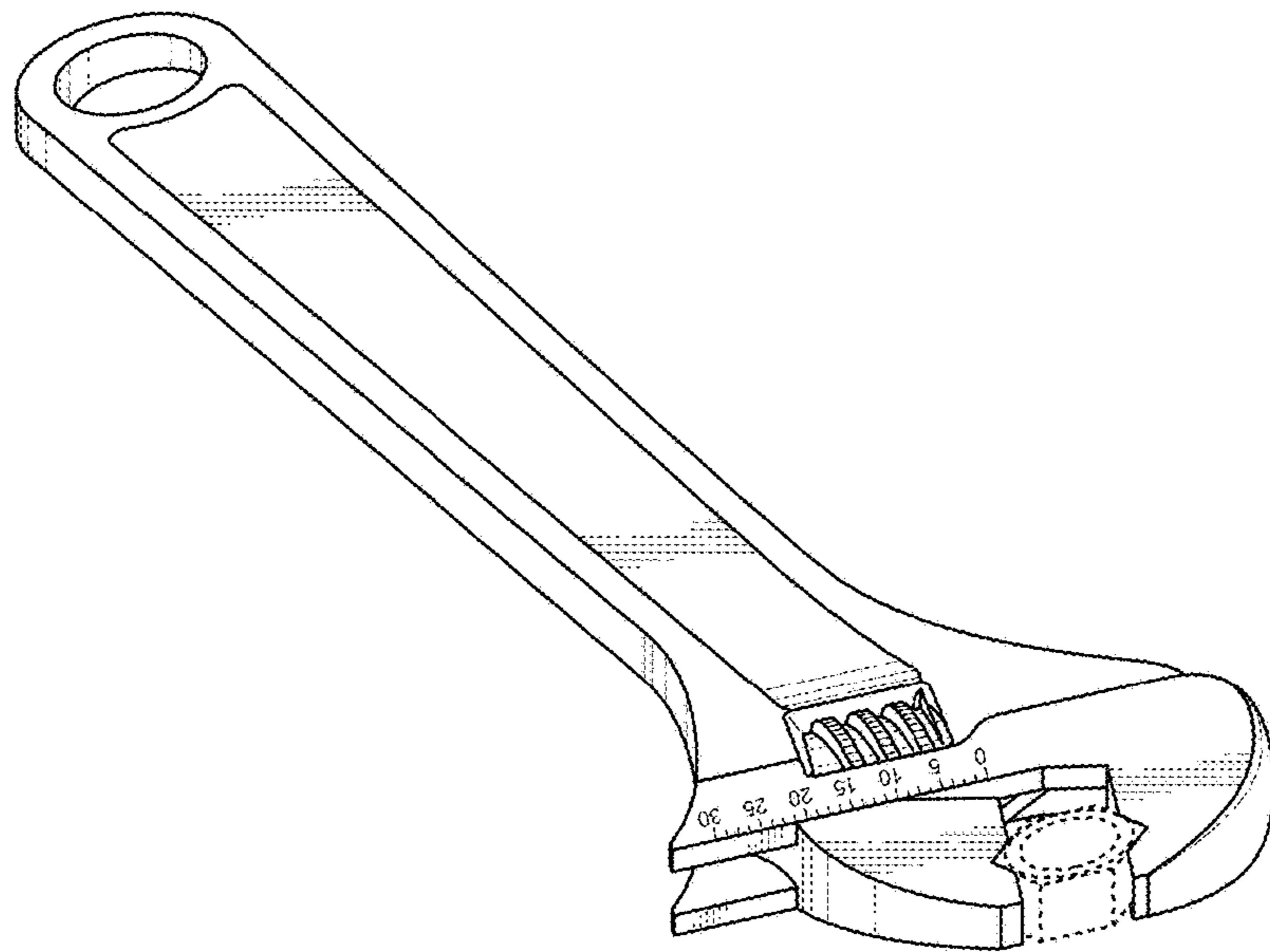


FIG. 1

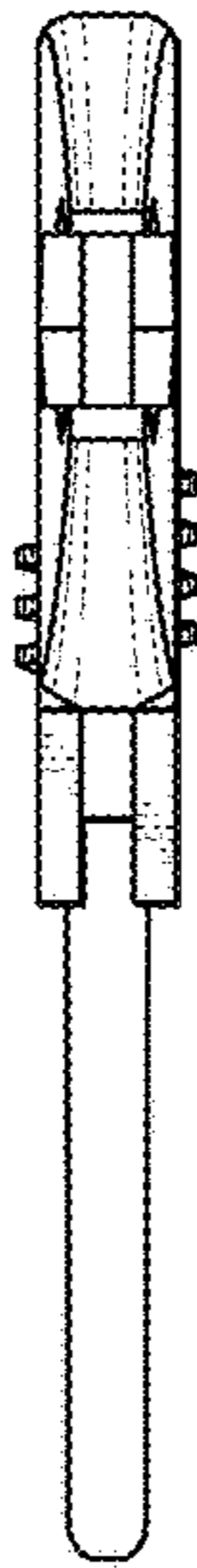


FIG. 2

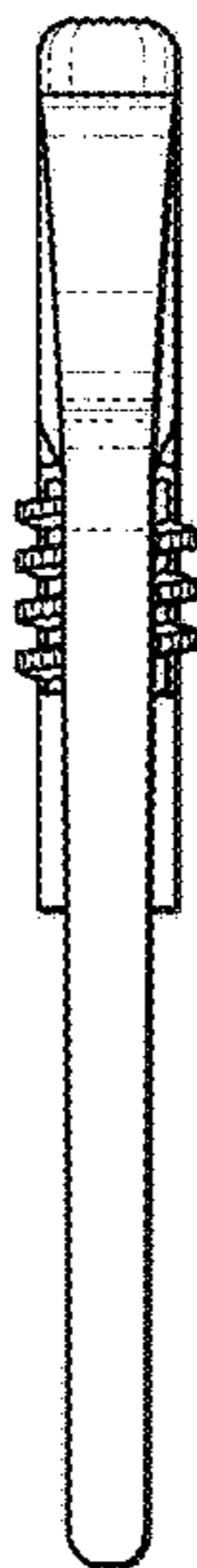


FIG. 3

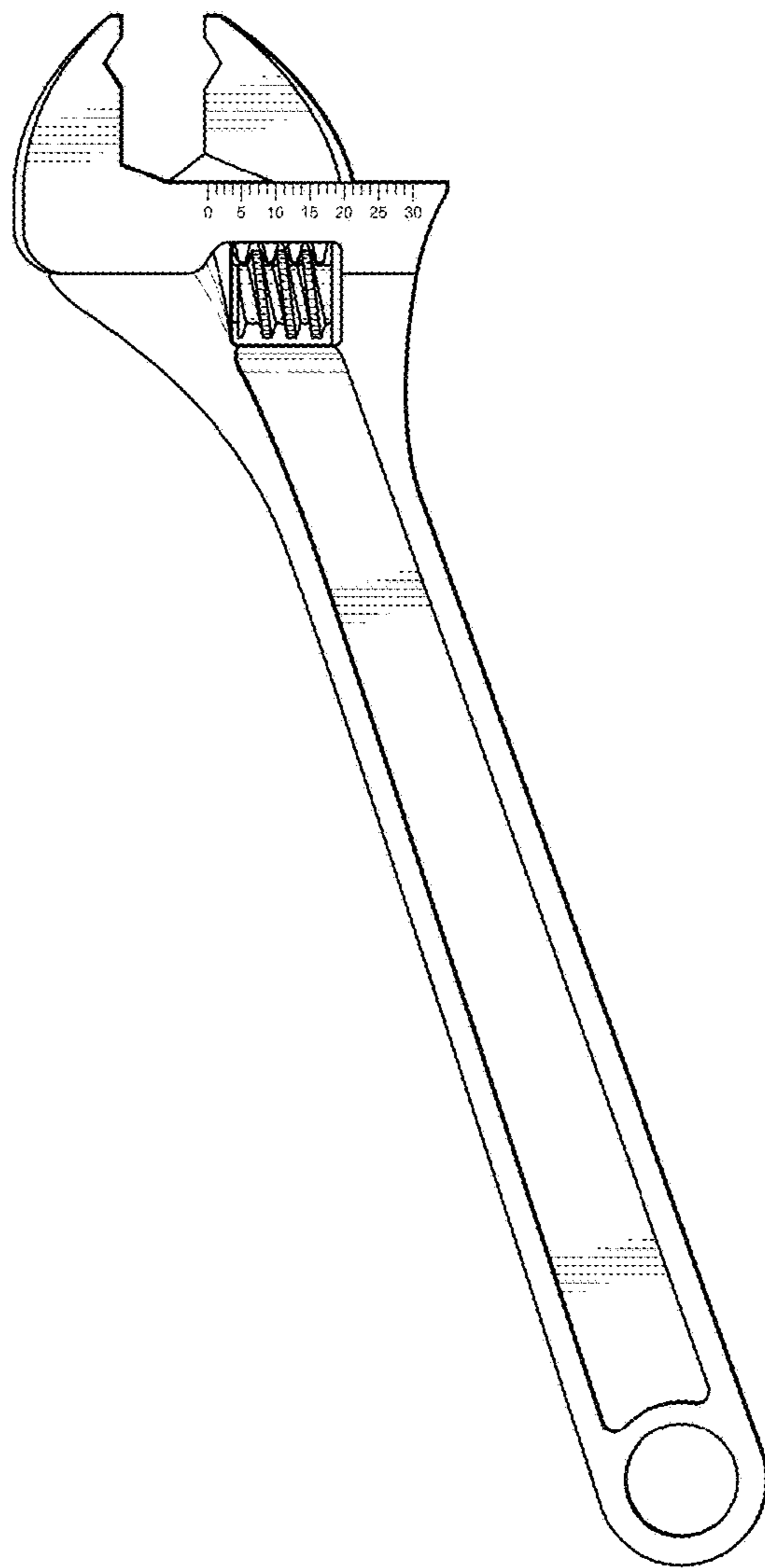


FIG. 4

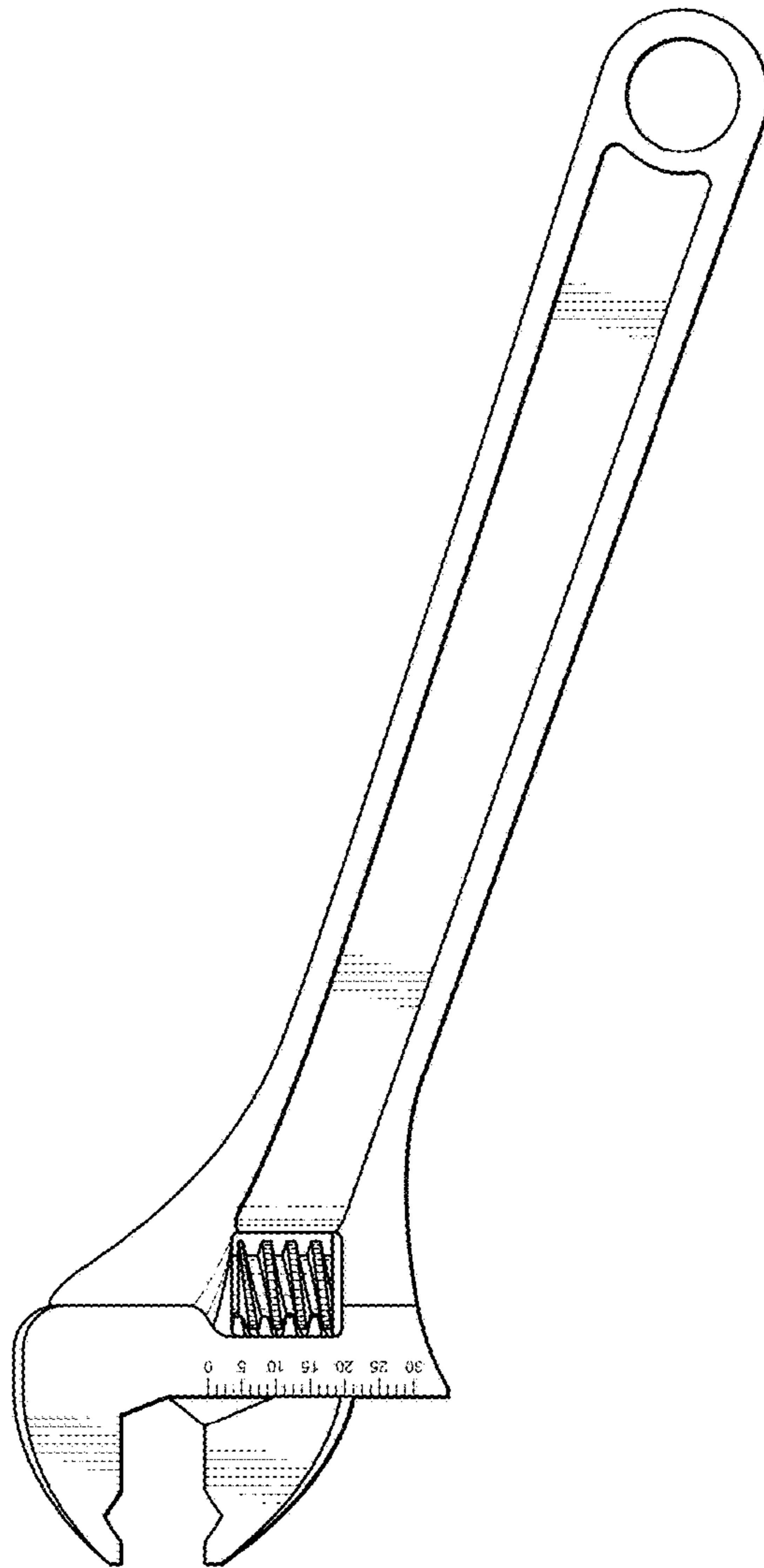


FIG. 5

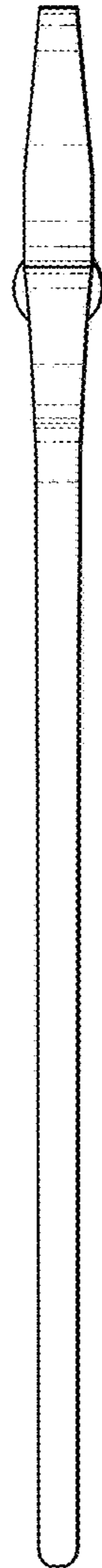


FIG. 6



FIG. 7