



US00D858229S

(12) **United States Design Patent**
Willey

(10) **Patent No.:** **US D858,229 S**

(45) **Date of Patent:** **** Sep. 3, 2019**

(54) **INTERCHANGEABLE TOOL TIP SYSTEM**

(71) Applicant: **Robert W. Willey**, Littleton, CO (US)

(72) Inventor: **Robert W. Willey**, Littleton, CO (US)

(**) Term: **15 Years**

(21) Appl. No.: **29/634,294**

(22) Filed: **Jan. 19, 2018**

(51) **LOC (12) Cl.** **08-05**

(52) **U.S. Cl.**
USPC **D8/14; D15/144; D15/144.2**

(58) **Field of Classification Search**
USPC D8/14, 22, 25, 27, 30, 40, 59, 74, 88,
D8/106, 300, 309, 343; D12/400;
D15/122, 144, 144.1, 144.2; D23/213,
D23/223, 263
CPC B21D 1/06; Y10S 72/705
See application file for complete search history.

D654,104 S * 2/2012 Fitzpatrick D15/144
D660,667 S * 5/2012 Miyazaki D8/30
D667,857 S * 9/2012 Hidaka D15/144
8,418,522 B1 * 4/2013 Liao B21D 1/06
72/453.01
D687,874 S * 8/2013 Furujo D15/144.2
D697,956 S * 1/2014 Davis D15/144
D719,200 S * 12/2014 Hassan D15/144
D720,784 S * 1/2015 Hassan D15/144
D728,649 S * 5/2015 Hassan D15/144
D736,285 S * 8/2015 Hassan D15/144
D747,377 S * 1/2016 Hassan D15/144

(Continued)

Primary Examiner — Garth Rademaker

Assistant Examiner — Fritzgerald L Butac

(74) *Attorney, Agent, or Firm* — QuickPatents, LLC;
Kevin Prince

(57) **CLAIM**

I claim the ornamental design for an interchangeable tool tip system, as shown and described.

DESCRIPTION

FIG. 1 is an exploded perspective view of an interchangeable tool tip system, showing my new design; FIG. 2 is a front elevational view thereof; FIG. 3 is a rear elevational view thereof; FIG. 4 is a left-side elevational view thereof; FIG. 5 is a right-side elevational view thereof; FIG. 6 is a top plan view thereof, wherein the parts are arranged side-by-side; FIG. 7 is a bottom plan view, wherein the parts are arranged side-by-side; and, FIG. 8 is a cross-sectional view thereof, taken along lines 8-8 of FIG. 2.

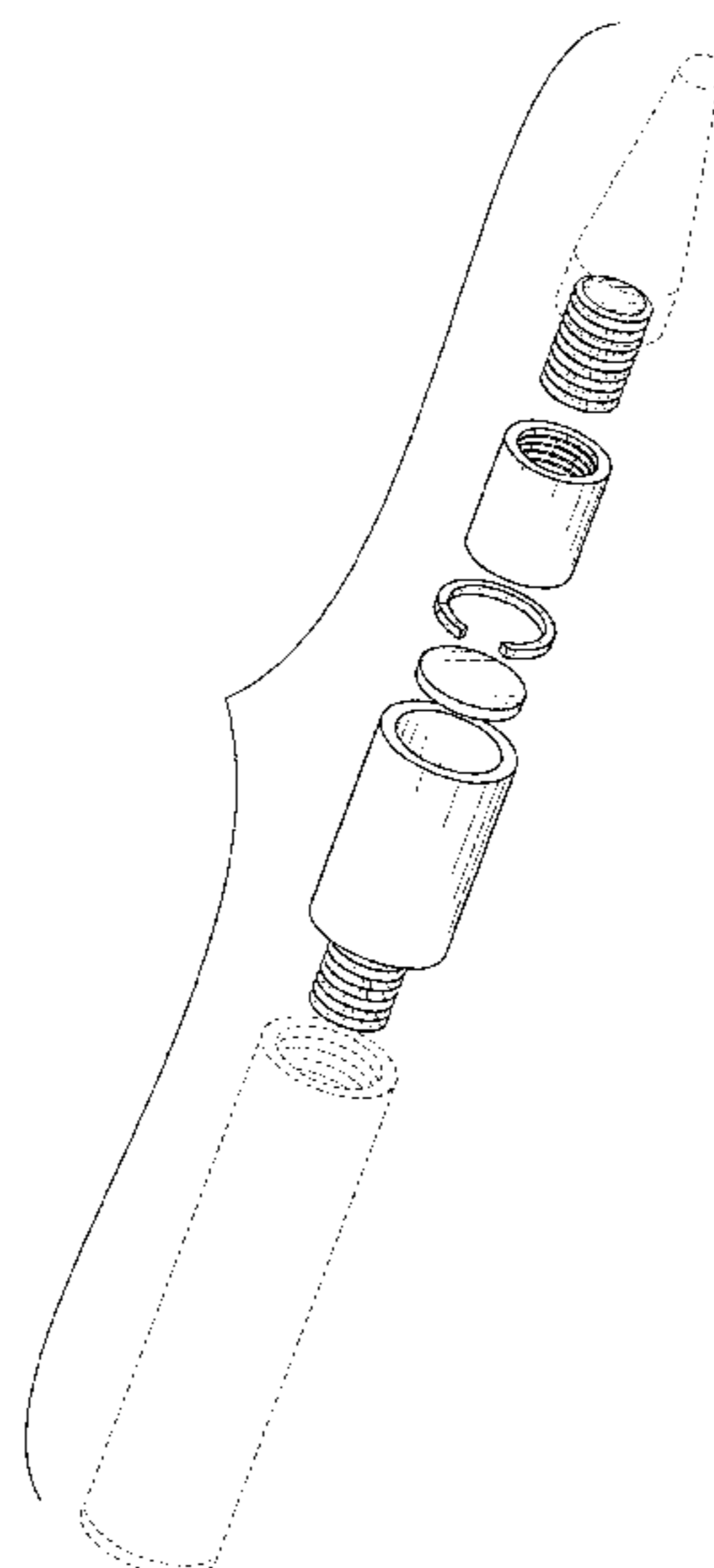
The broken lines showing a tool base and a tool tip in FIG. 1 are for the purpose of showing environmental structure, and form no part of the claimed design.

1 Claim, 5 Drawing Sheets

(56) **References Cited**

U.S. PATENT DOCUMENTS

4,235,090 A * 11/1980 Wightman B21D 1/06
72/479
D344,893 S * 3/1994 Dwinell D15/144.2
D362,860 S * 10/1995 Carkhuff D15/144
5,727,418 A * 3/1998 Strozier B21D 1/06
72/457
D409,211 S * 5/1999 Hidaka D15/144
D417,459 S * 12/1999 Shintani D15/144
D433,894 S * 11/2000 Mathis D8/25
D442,875 S * 5/2001 Fujiwara D15/144.2
D446,530 S * 8/2001 Kuraoka D15/144
D446,795 S * 8/2001 Shintani D15/144
D451,113 S * 11/2001 Shintani D15/144
D466,776 S * 12/2002 Hsiao D8/62
D499,071 S * 11/2004 Conway D13/133
D522,026 S * 5/2006 Colson, Jr. D15/144
D527,401 S * 8/2006 Mizuno D15/144
D637,216 S * 5/2011 Michener D15/150



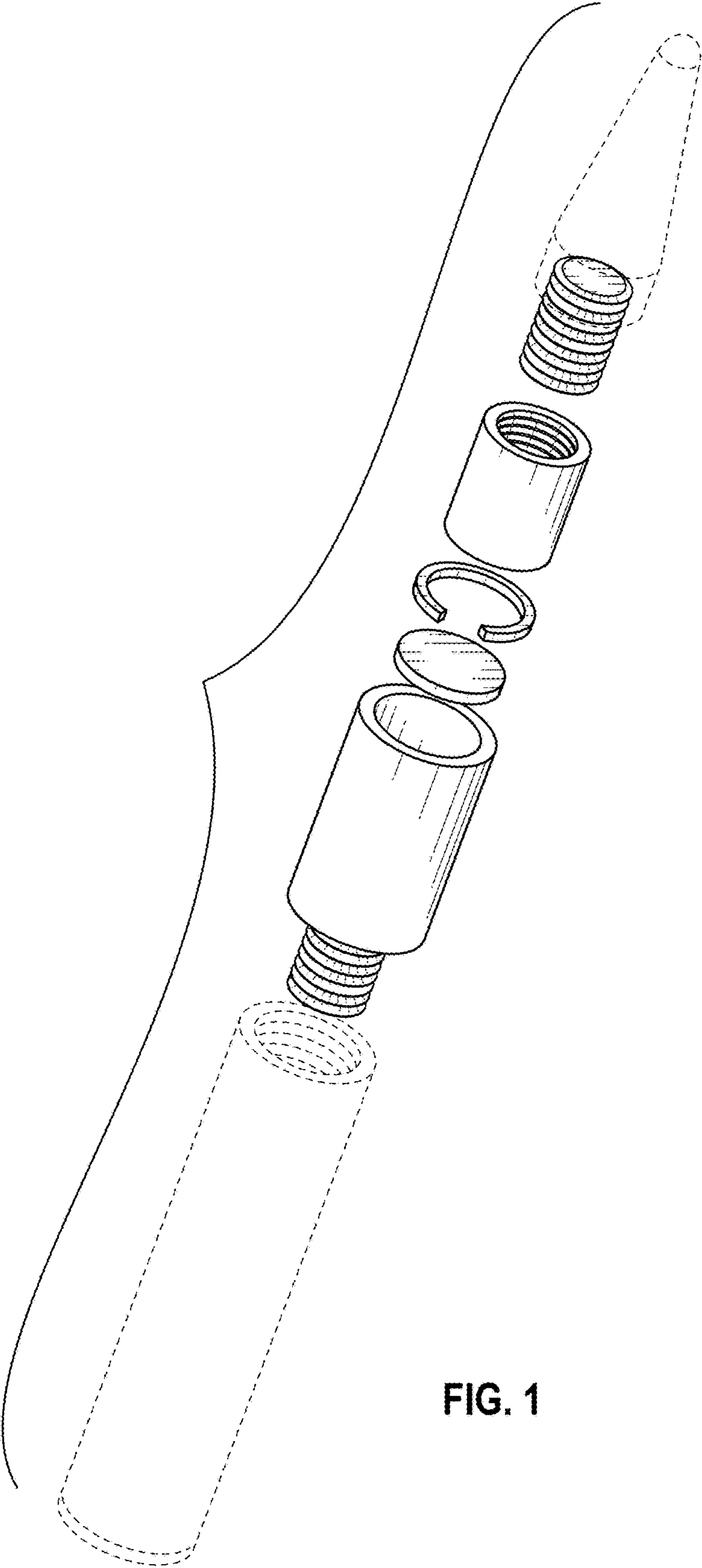
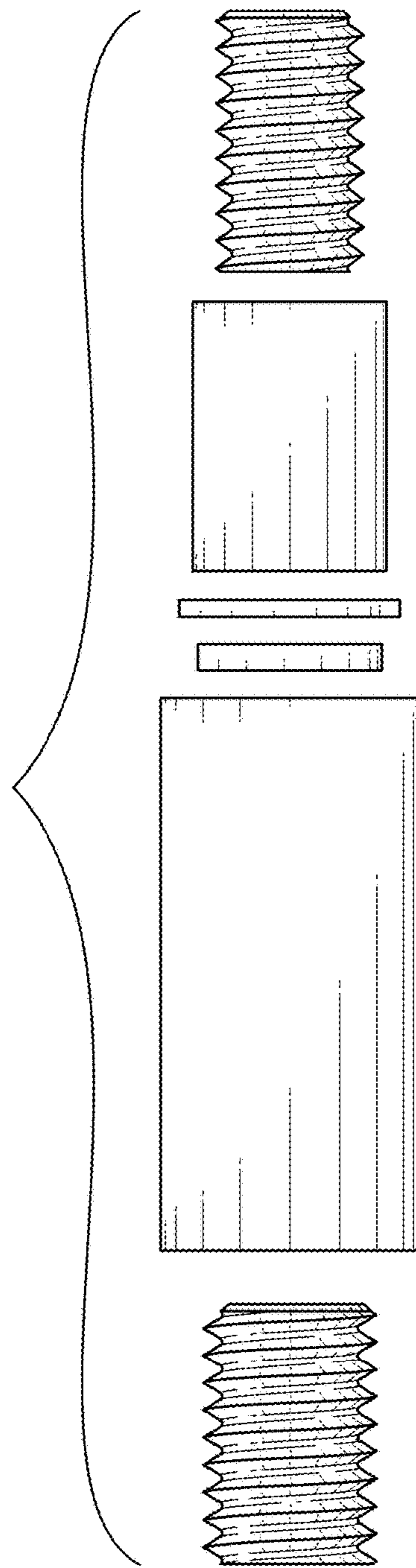
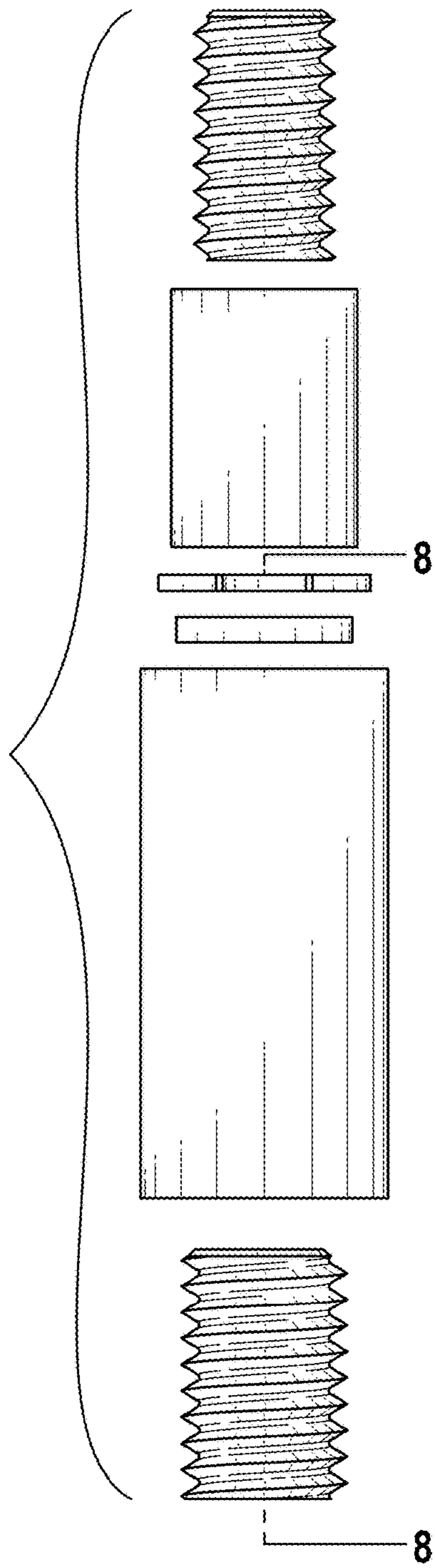


FIG. 1



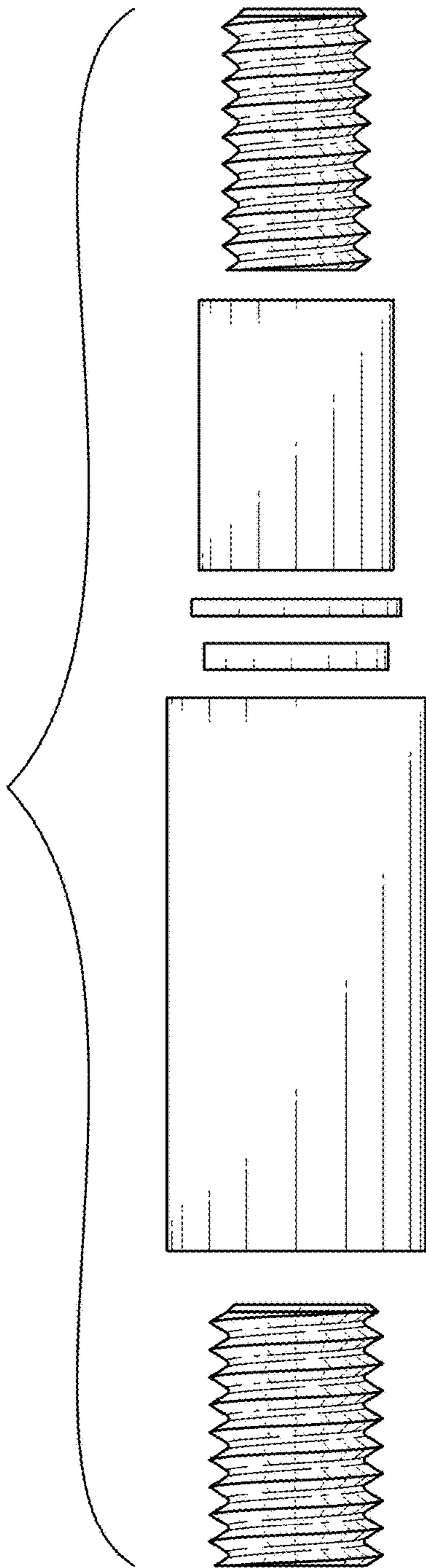


FIG. 4

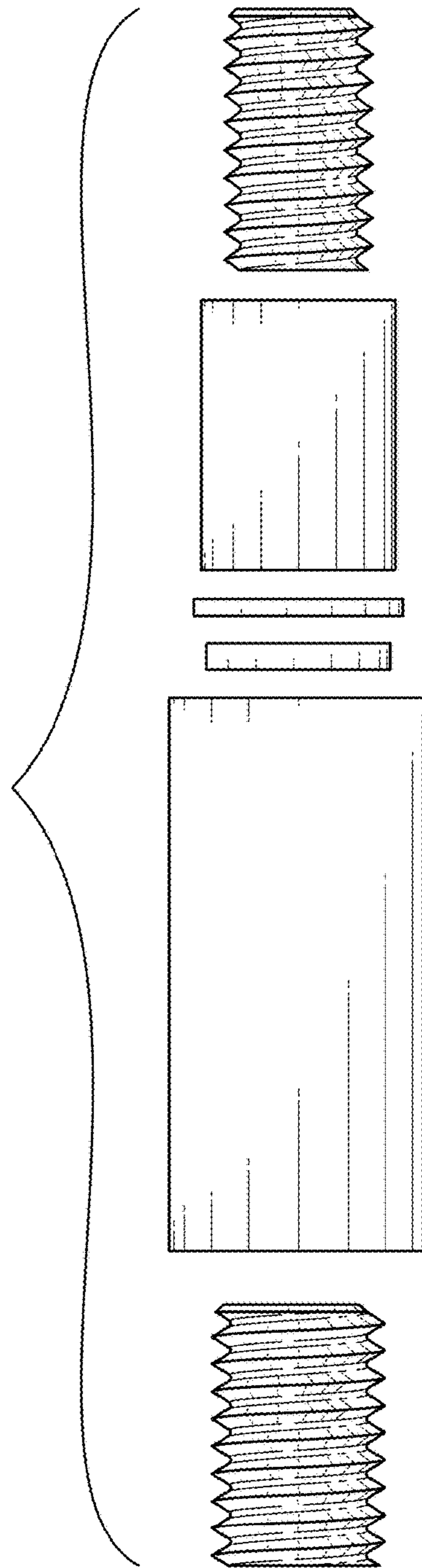


FIG. 5

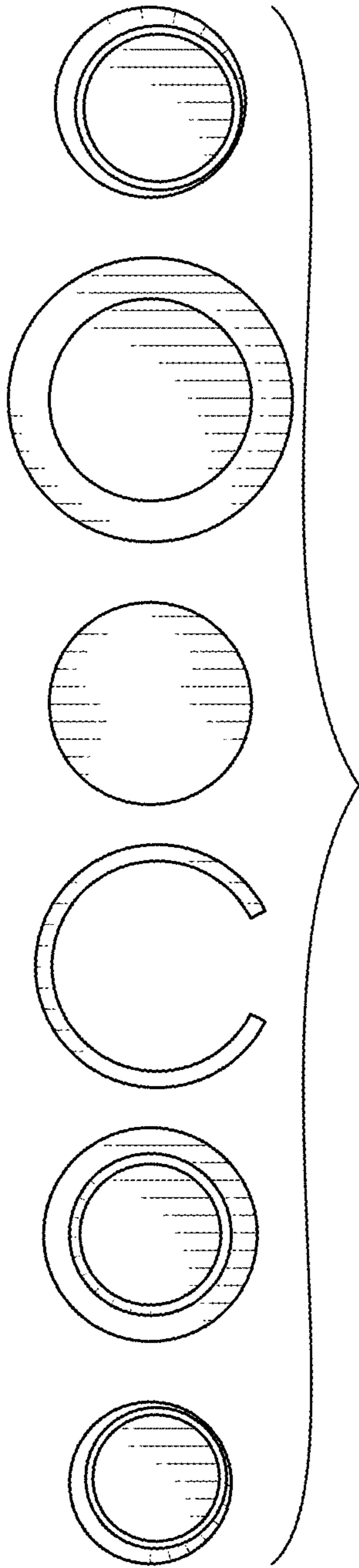


FIG. 6

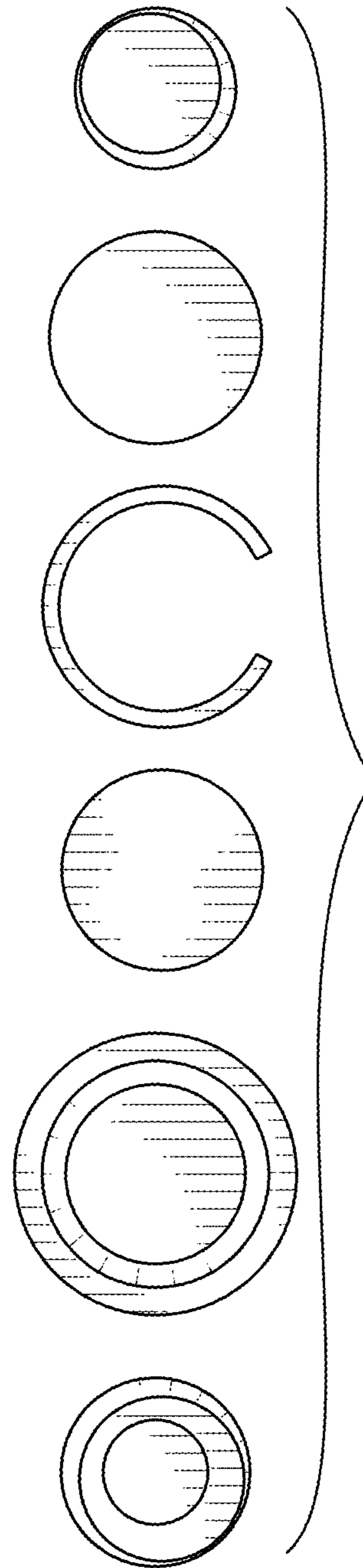


FIG. 7

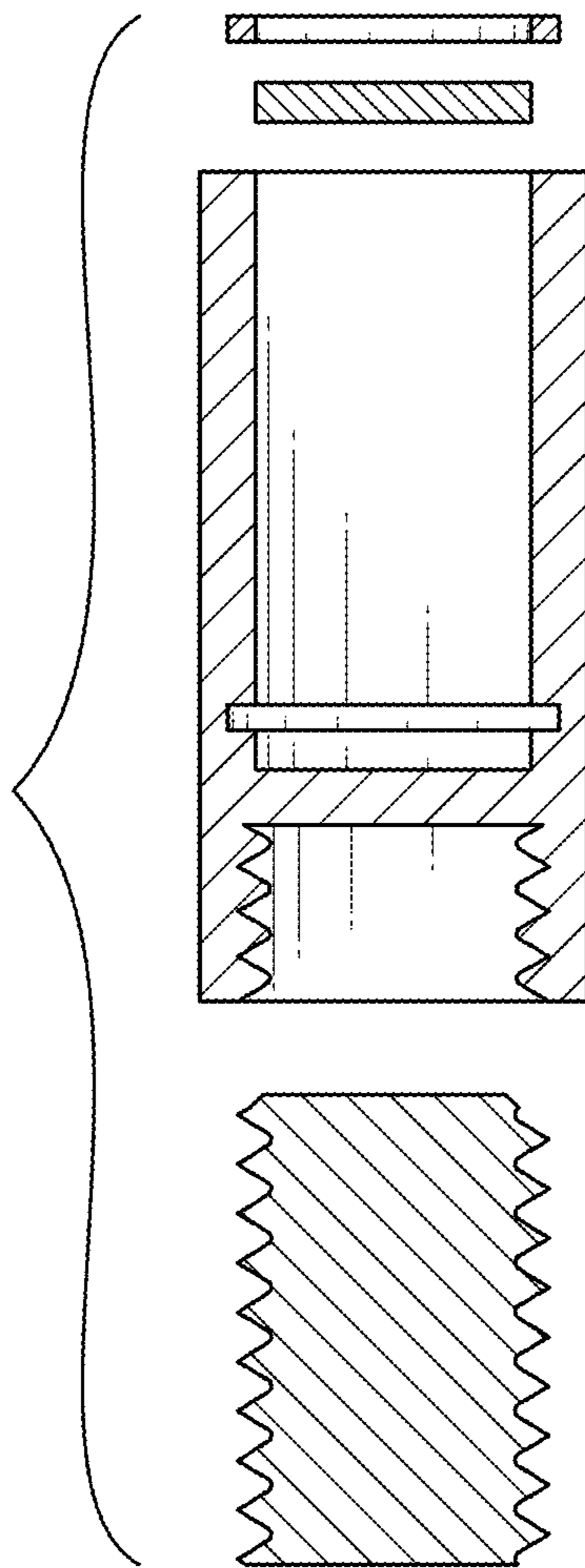


FIG. 8