



US00D858228S

(12) **United States Design Patent** (10) **Patent No.:** **US D858,228 S**
Näslund et al. (45) **Date of Patent:** **** Sep. 3, 2019**

(54) **TRIMMER**
 (71) Applicant: **HUSQVARNA AB**, Huskvarna (SE)
 (72) Inventors: **Jens Näslund**, Spånga (SE); **Taras Czornyj**, Järna (SE); **Malin Andersson**, Karlskoga (SE)
 (73) Assignee: **HUSQVARNA AB**, Huskvarna (SE)
 (**) Term: **15 Years**
 (21) Appl. No.: **29/619,504**
 (22) Filed: **Sep. 29, 2017**
 (30) **Foreign Application Priority Data**

D565,817 S 4/2008 Yuasa
 D569,055 S 5/2008 Bochmann et al.
 D584,461 S 1/2009 Sweeney
 D637,774 S 5/2011 Li et al.
 D668,516 S * 10/2012 Landberg D8/8
 D696,823 S 12/2013 Crawley
 D711,056 S 8/2014 Crawley
 D711,057 S 8/2014 Crawley
 D716,620 S * 11/2014 Baxter D8/8
 D719,307 S 12/2014 Carl et al.
 D729,999 S 5/2015 Aoi et al.
 D735,960 S 8/2015 Zhang
 D741,917 S 10/2015 Tinius
 D742,603 S 11/2015 Tschopp
 D746,004 S 12/2015 Murray et al.
 D747,050 S 1/2016 Martin et al.
 D748,876 S 2/2016 Carl et al.
 D748,877 S 2/2016 Tirone et al.
 9,427,859 B2 * 8/2016 Maynez B25F 5/00
 D798,513 S 9/2017 Tinius

(Continued)

Mar. 30, 2017 (EM) 003831338-0002

(51) **LOC (12) Cl.** **08-01**
 (52) **U.S. Cl.**
 USPC **D8/8**
 (58) **Field of Classification Search**
 USPC D8/1, 8; D15/139
 CPC A01D 34/416; A01D 34/4161; A01D
 34/4165; A01D 34/4162; A01D 34/733
 See application file for complete search history.

Primary Examiner — Sheryl Lane

(74) *Attorney, Agent, or Firm* — Burr Forman McNair

(57) **CLAIM**

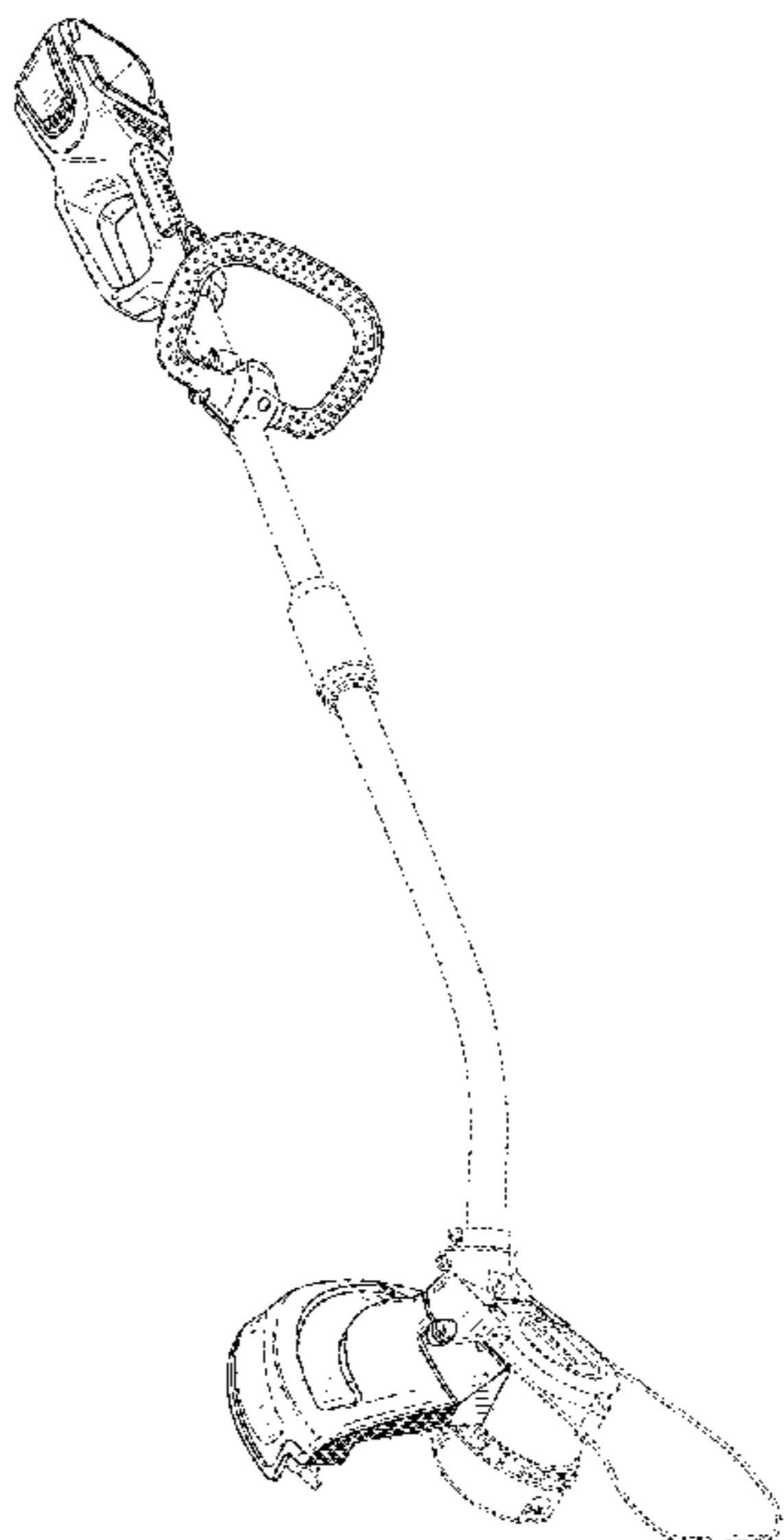
The ornamental design for the trimmer, as shown and described.

DESCRIPTION

FIG. 1 is a perspective view of a trimmer in accordance with the present invention;
 FIG. 2 is a bottom view of the trimmer of FIG. 1;
 FIG. 3 is a top view of the trimmer of FIG. 1;
 FIG. 4 is a left side view of the trimmer of FIG. 1;
 FIG. 5 is a right side view of the trimmer of FIG. 1;
 FIG. 6 is a front view of the trimmer of FIG. 1; and,
 FIG. 7 is a rear view of the trimmer of FIG. 1.
 The broken lines of FIGS. 1-7 represent environmental structure of the trimmer and form no part of the claimed design.

1 Claim, 4 Drawing Sheets

(56) **References Cited**
 U.S. PATENT DOCUMENTS
 D416,360 S 11/1999 Enkyo et al.
 D426,354 S 6/2000 Ohi et al.
 D461,604 S 8/2002 Martin et al.
 D480,844 S 10/2003 Noma et al.
 6,658,741 B2 * 12/2003 Paluszek A01D 34/416
 30/276
 D493,017 S 7/2004 Ito
 D498,885 S 11/2004 Robson
 D526,750 S 8/2006 Ito
 D551,921 S * 10/2007 Houghton D8/8
 D558,939 S 1/2008 Yuasa



(56)

References Cited

U.S. PATENT DOCUMENTS

| | | | |
|-------------------|---------|--------------|-----------------------|
| D800,400 S | 10/2017 | Tinius | |
| D809,227 S | 1/2018 | Tinius | |
| D812,825 S | 3/2018 | Smith et al. | |
| 2014/0215835 A1 * | 8/2014 | Racov | A01D 34/416 30/276 |

* cited by examiner

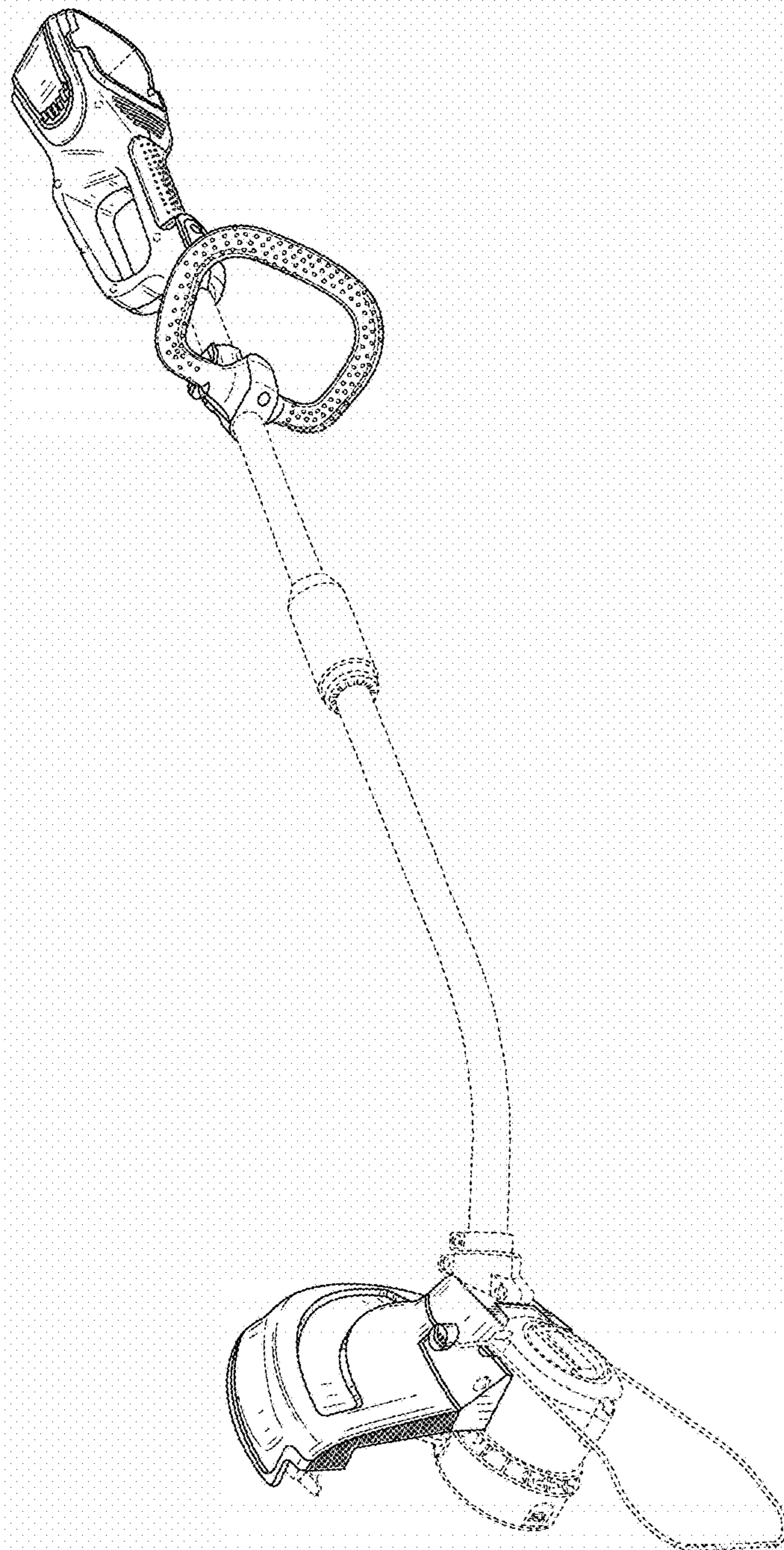


FIG. 1

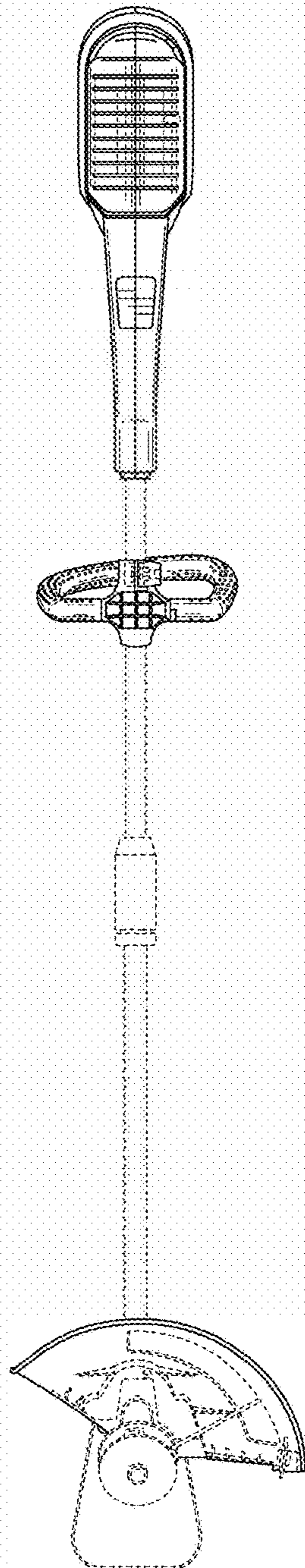


FIG. 2

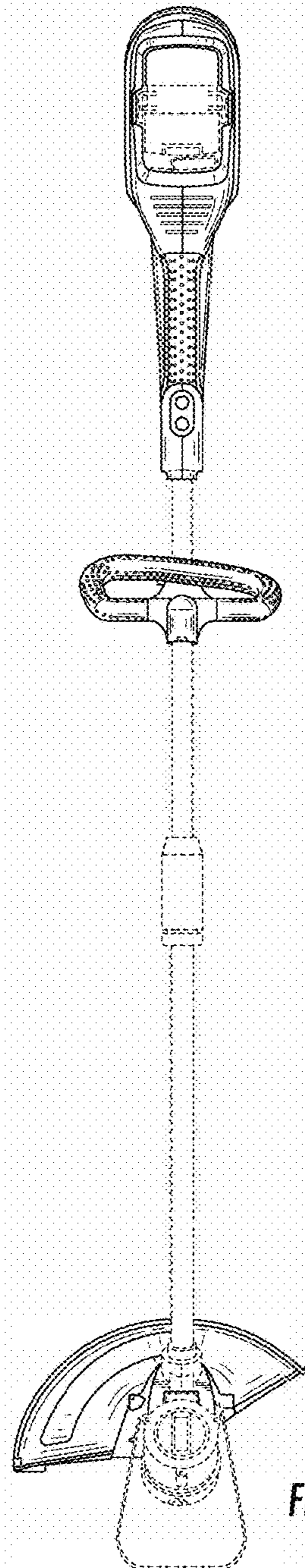


FIG. 3

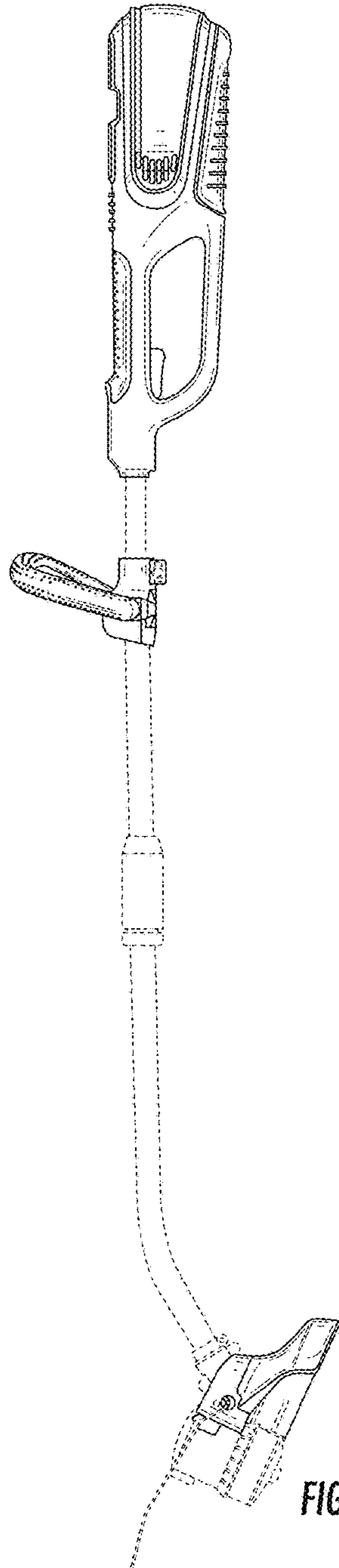


FIG. 4

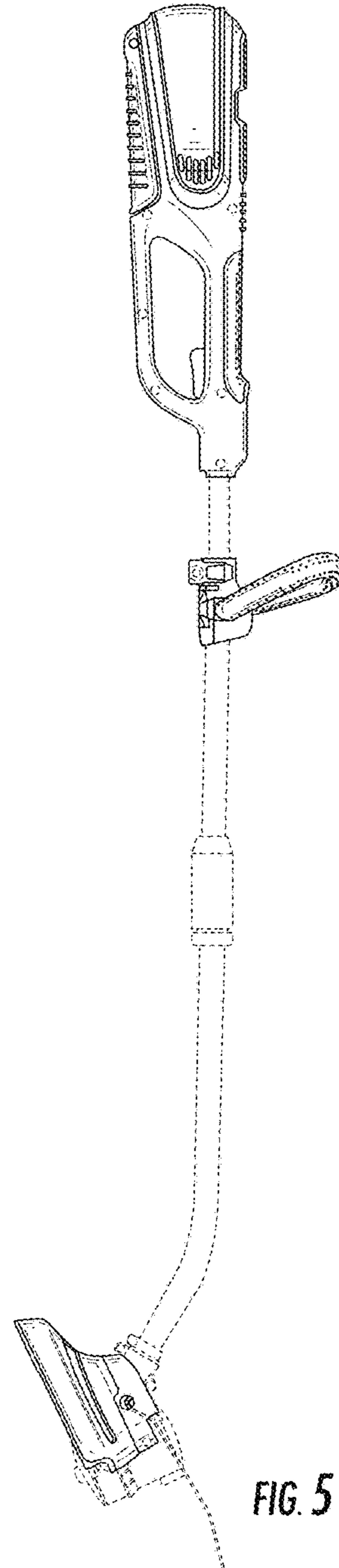


FIG. 5

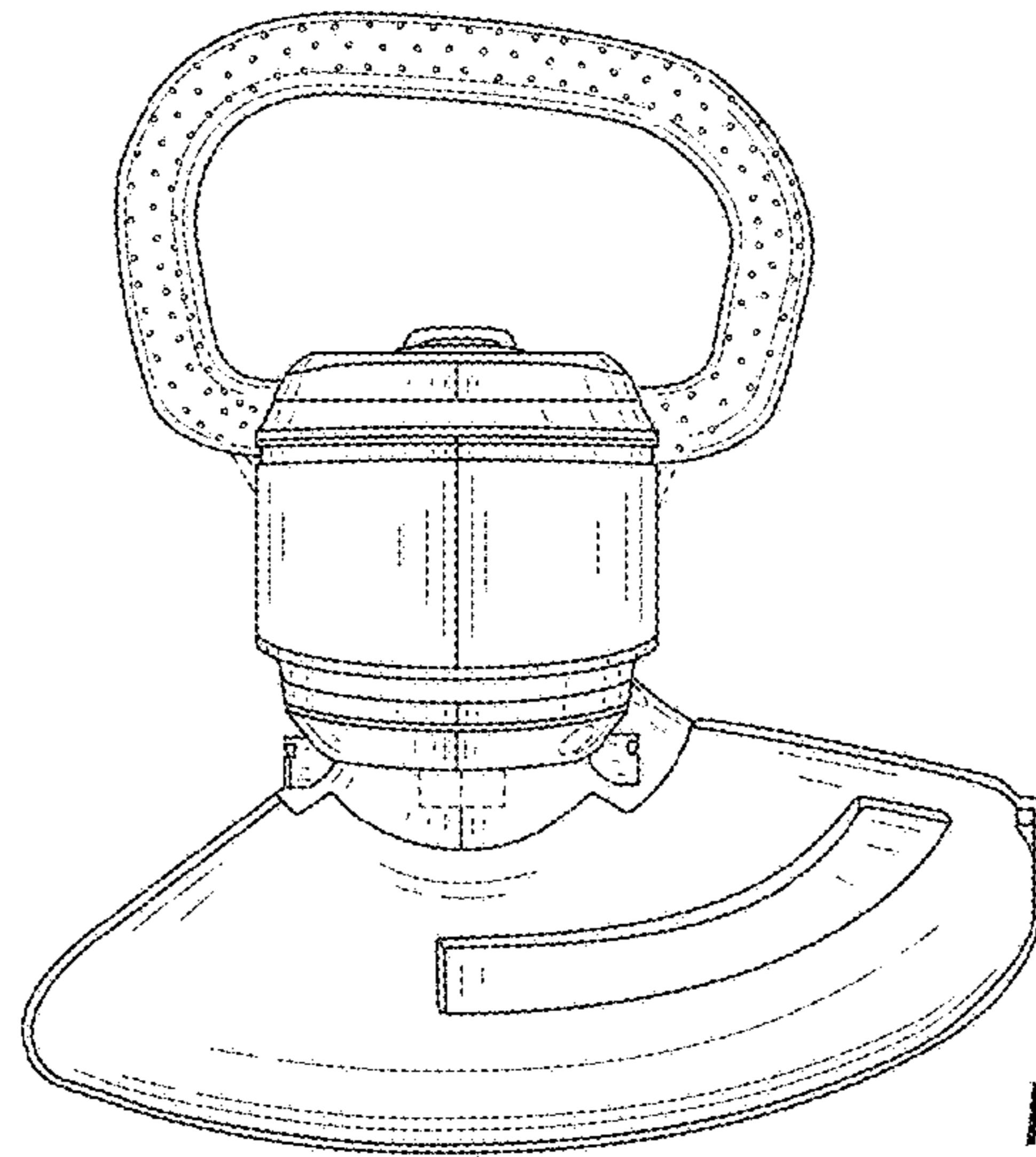


FIG. 6

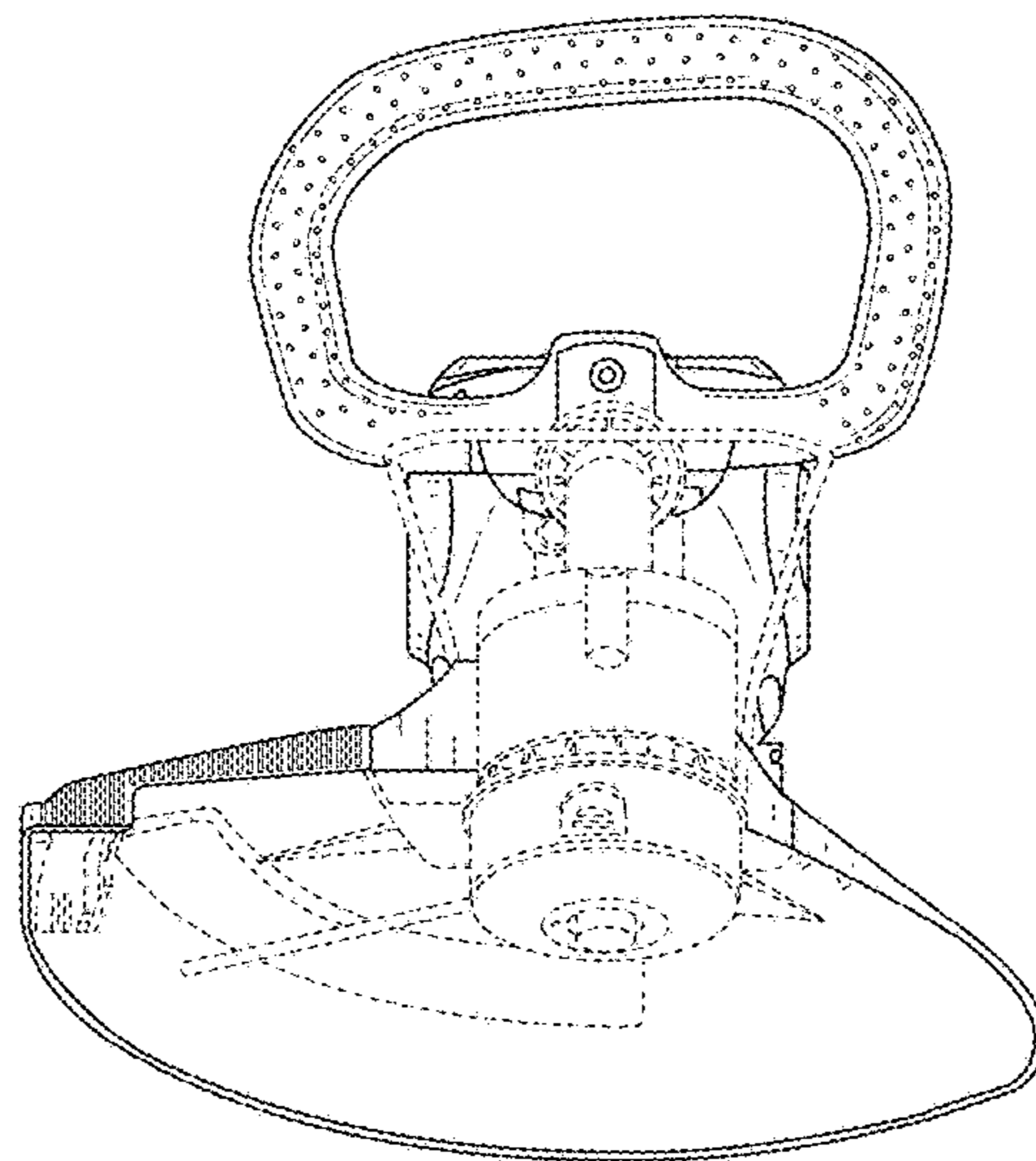


FIG. 7