



US00D858227S

(12) **United States Design Patent**
Wiles et al.

(10) **Patent No.:** **US D858,227 S**
(45) **Date of Patent:** **** Sep. 3, 2019**

- (54) **MEAL BAG**
- (71) Applicants: **Katelyn Michelle Wiles**, Newport Beach, CA (US); **Brandon Martin Goris**, Newport Beach, CA (US)
- (72) Inventors: **Katelyn Michelle Wiles**, Newport Beach, CA (US); **Brandon Martin Goris**, Newport Beach, CA (US)
- (**) Term: **15 Years**
- (21) Appl. No.: **29/575,431**
- (22) Filed: **Aug. 25, 2016**
- (51) **LOC (12) Cl.** **09-03**
- (52) **U.S. Cl.**
USPC **D7/709**
- (58) **Field of Classification Search**
USPC D7/709, 629, 601-607; D3/232, 273, D3/276, 284, 283, 285, 287, 900, 902, D3/904, 227, 230, 214, 201, 205, 229, D3/233, 239-243, 245, 246, 289-293, D3/299
CPC A45C 2003/007; A45C 2003/008; A45C 3/02; A45C 7/0059; A45C 11/20; A45C 3/00; A45C 13/30; A45C 13/06; A45C 13/26; A45C 13/02; A45C 13/005; A45C 13/103; A45C 3/06; A45C 1/02; A45C 7/0063; A45C 9/00; F25D 3/08; F25D 2303/0845; F25D 2303/08222; A45F 2200/0525
See application file for complete search history.

(56) **References Cited**

U.S. PATENT DOCUMENTS

- D240,468 S * 7/1976 Ainslie D3/268
- 4,287,971 A * 9/1981 Doulet A45C 3/00
150/117

- D299,406 S * 1/1989 Jacober D7/332
- 4,805,776 A * 2/1989 Namgyal A45C 3/00
206/523
- D305,798 S * 1/1990 Say D3/203.6
- D355,568 S * 2/1995 Paulin D3/301
- 5,403,095 A * 4/1995 Melk A45C 11/20
220/23.87
- 5,421,172 A * 6/1995 Jones F25D 3/08
62/457.5
- D371,051 S * 6/1996 Melk D7/607
- D371,052 S * 6/1996 Melk D7/607
- D371,724 S * 7/1996 Melk D7/607
- D371,942 S * 7/1996 Lippincott D7/607
- D373,514 S * 9/1996 Melk D3/287
- D373,515 S * 9/1996 Melk D3/287
- D381,871 S * 8/1997 Melk D7/607
- D382,771 S * 8/1997 Mogil D7/607
- D382,772 S * 8/1997 Mogil D7/607

(Continued)

Primary Examiner — Shannon W Morgan

(74) *Attorney, Agent, or Firm* — Charney IP Law LLC;
Thomas M. Finetti

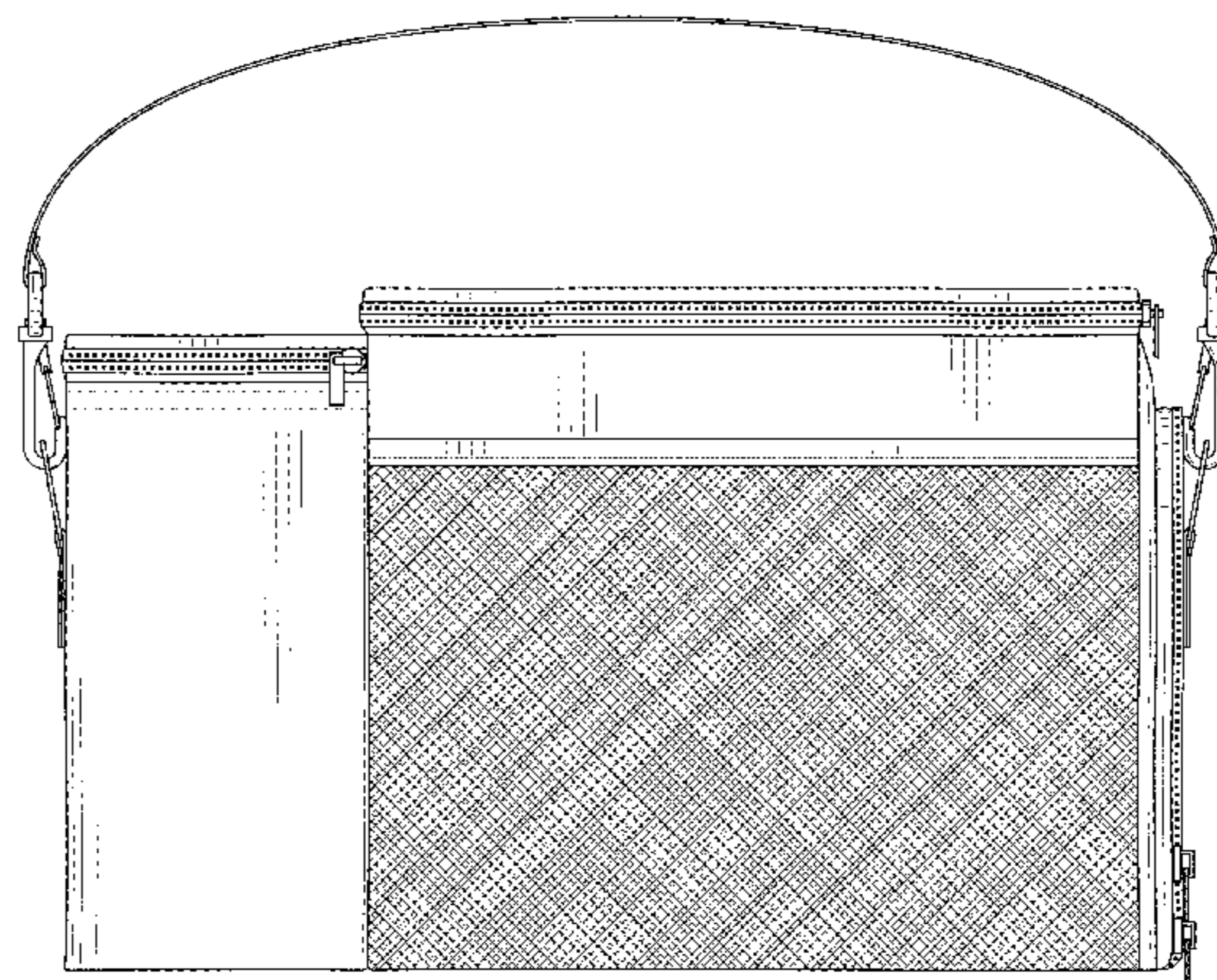
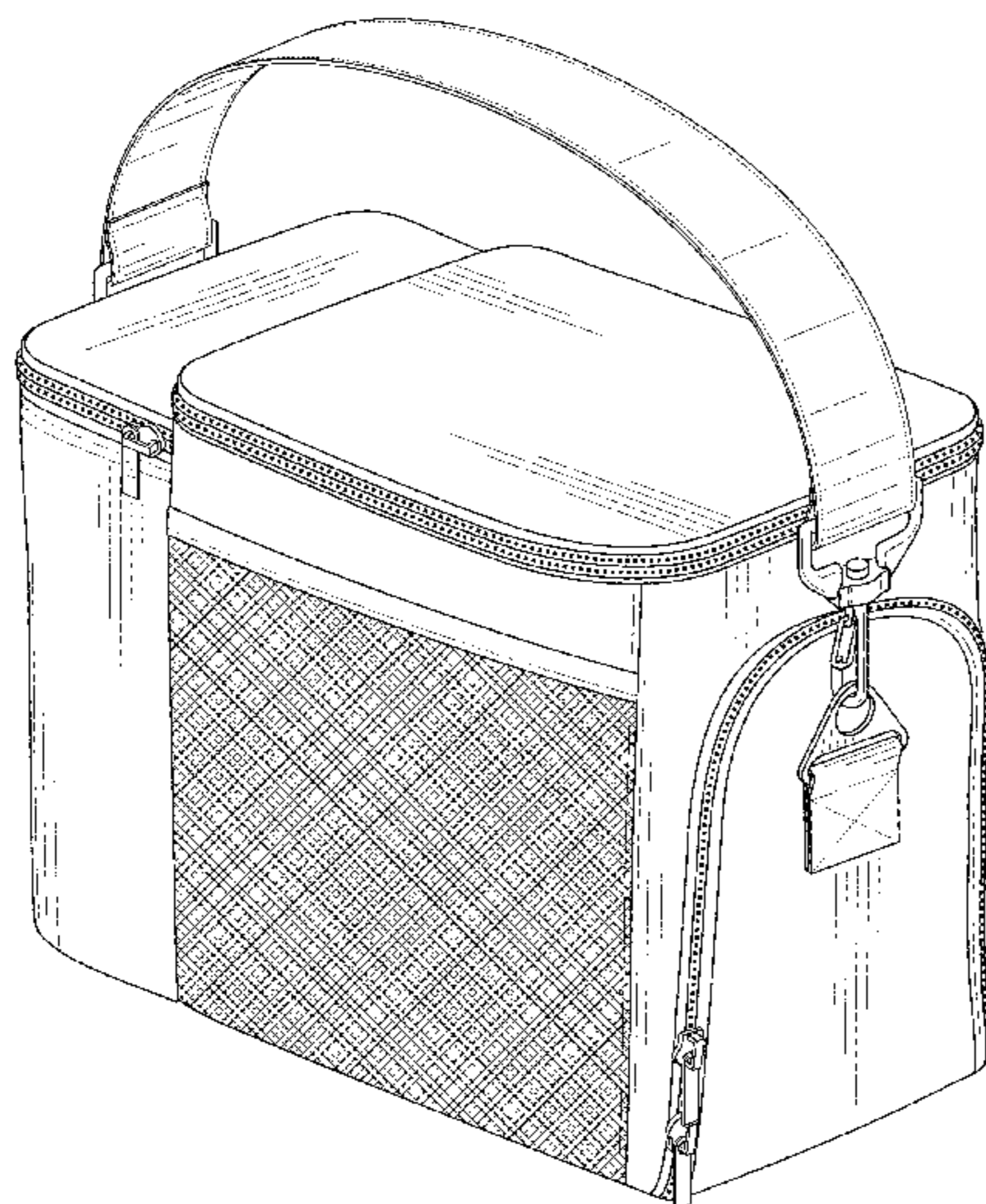
(57) **CLAIM**

The ornamental design for a meal bag, as shown and described.

DESCRIPTION

FIG. 1 is a front perspective view of a meal bag showing the new design;
 FIG. 2 is a front elevation view of the meal bag of FIG. 1;
 FIG. 3 is a rear elevation view of the meal bag of FIG. 1;
 FIG. 4 is a first side elevation view of the meal bag of FIG. 1;
 FIG. 5 is a second side elevation view of the meal bag of FIG. 1;
 FIG. 6 is a top plan view of the meal bag of FIG. 1; and,
 FIG. 7 is a bottom plan view of the meal bag of FIG. 1;
 The broken lines shown in FIGS. 1-7 of the meal bag depict stitching lines and form no part of the claimed design.

1 Claim, 7 Drawing Sheets



(56)

References Cited

U.S. PATENT DOCUMENTS

D387,249 S * 12/1997 Mogil D7/607
 D394,552 S * 5/1998 Melk D3/287
 D398,191 S * 9/1998 Melk D7/607
 D403,926 S * 1/1999 Sutton D7/607
 D412,267 S * 7/1999 Anderson D7/605
 D412,269 S * 7/1999 Wyant D7/607
 5,924,303 A * 7/1999 Hodosh A45C 11/20
 220/592.17
 D412,787 S * 8/1999 Young D3/217
 D419,830 S * 2/2000 Birutis D7/607
 D422,181 S * 4/2000 Birutis D7/607
 D422,555 S * 4/2000 Bergh D12/423
 D434,609 S * 12/2000 Yu D7/607
 6,238,091 B1 * 5/2001 Mogil A45C 7/0077
 383/110
 6,247,328 B1 * 6/2001 Mogil A45C 7/0077
 383/110
 D455,551 S * 4/2002 Stephens D3/276
 D457,314 S * 5/2002 Stephens D3/276
 D464,235 S * 10/2002 Jeong D3/287
 D465,134 S * 11/2002 Joss D3/287
 D472,380 S * 4/2003 Hillman D3/263
 D476,480 S * 7/2003 Hillman D3/263
 D476,481 S * 7/2003 Gilbert D3/276
 D479,652 S * 9/2003 Hasset D3/289
 D482,525 S * 11/2003 Fair D3/263
 D482,842 S * 12/2003 Fair D3/263
 D485,131 S * 1/2004 Lanman D7/607
 D486,038 S * 2/2004 Lanman D7/607
 D492,160 S * 6/2004 Lanman D7/605
 D497,518 S * 10/2004 Bellofatto, Jr. D7/607
 D512,274 S * 12/2005 Cabey D7/607
 D514,317 S * 2/2006 Conforti D3/285

7,162,890 B2 * 1/2007 Mogil A45C 11/20
 62/457.7
 D573,422 S * 7/2008 Tagliati D3/287
 D574,667 S * 8/2008 Grabijas, III D7/607
 D580,110 S * 11/2008 Tsengas D30/133
 D607,697 S * 1/2010 Whitlock D7/607
 D608,159 S * 1/2010 Whitlock D7/607
 7,669,436 B2 * 3/2010 Mogil A45C 11/20
 62/457.7
 D619,423 S * 7/2010 Koehler D7/607
 D619,854 S * 7/2010 Koehler D7/607
 D648,533 S * 11/2011 Sosnovsky D3/283
 D668,456 S * 10/2012 Du D3/285
 D829,244 S * 9/2018 Sullivan D15/79
 D835,473 S * 12/2018 Jacobsen D7/607
 D835,950 S * 12/2018 Jacobsen D7/607
 D836,996 S * 1/2019 Jacobsen D7/607
 D836,997 S * 1/2019 Jacobsen D7/607
 D836,998 S * 1/2019 Jacobsen D7/607
 D836,999 S * 1/2019 Jacobsen D7/607
 D837,000 S * 1/2019 Jacobsen D7/607
 2002/0040861 A1 * 4/2002 Terzian A45C 3/00
 206/547
 2002/0153216 A1 * 10/2002 Krulik A45C 7/0027
 190/103
 2005/0072181 A1 * 4/2005 Mogil A45C 11/20
 62/457.7
 2006/0243766 A1 * 11/2006 Lan A45C 11/00
 224/275
 2013/0140120 A1 * 6/2013 Rasmussen A45C 7/005
 190/109
 2013/0299540 A1 * 11/2013 Avganim A45C 13/18
 224/600
 2016/0355319 A1 * 12/2016 Stephens A45C 11/20

* cited by examiner

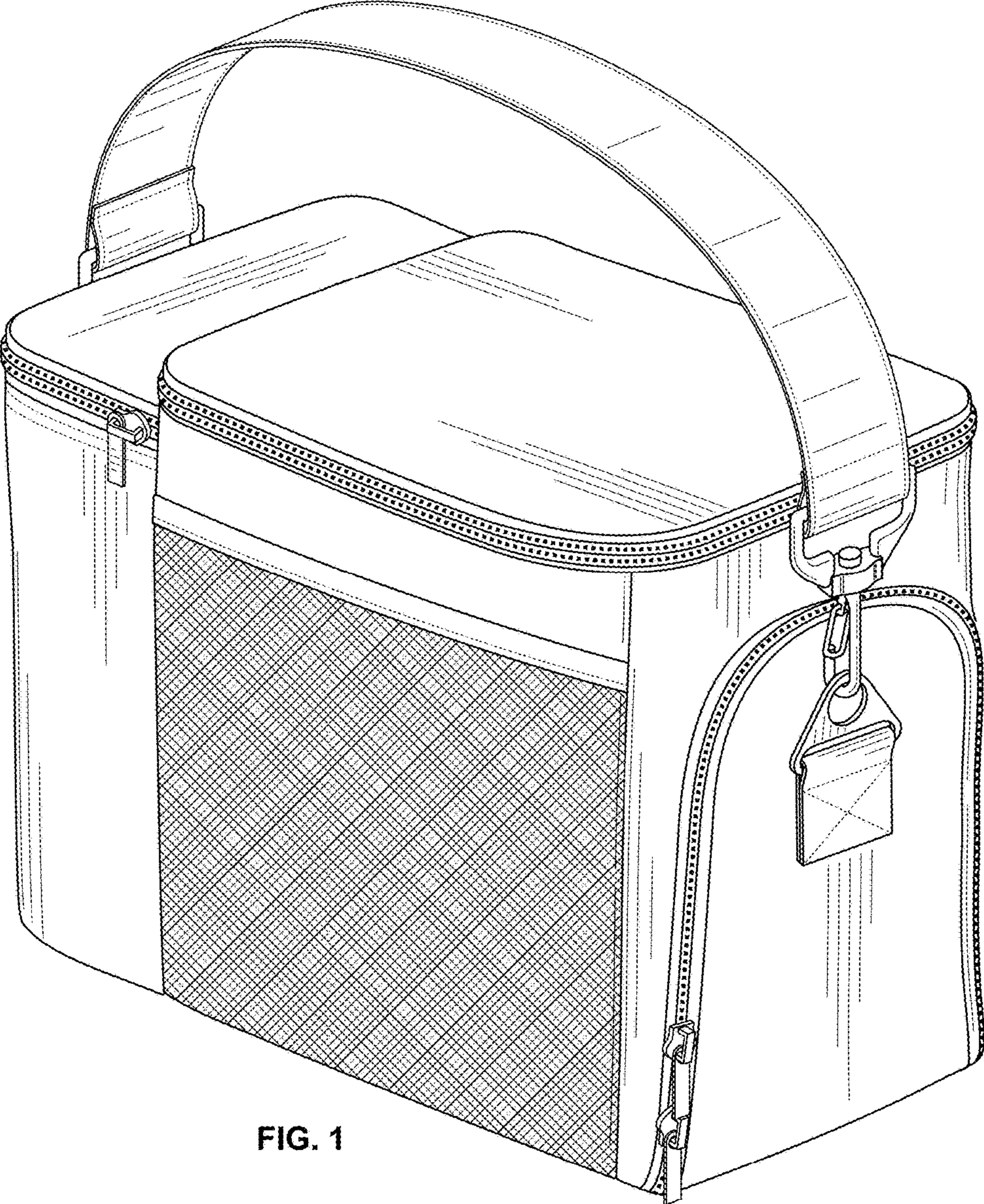


FIG. 1

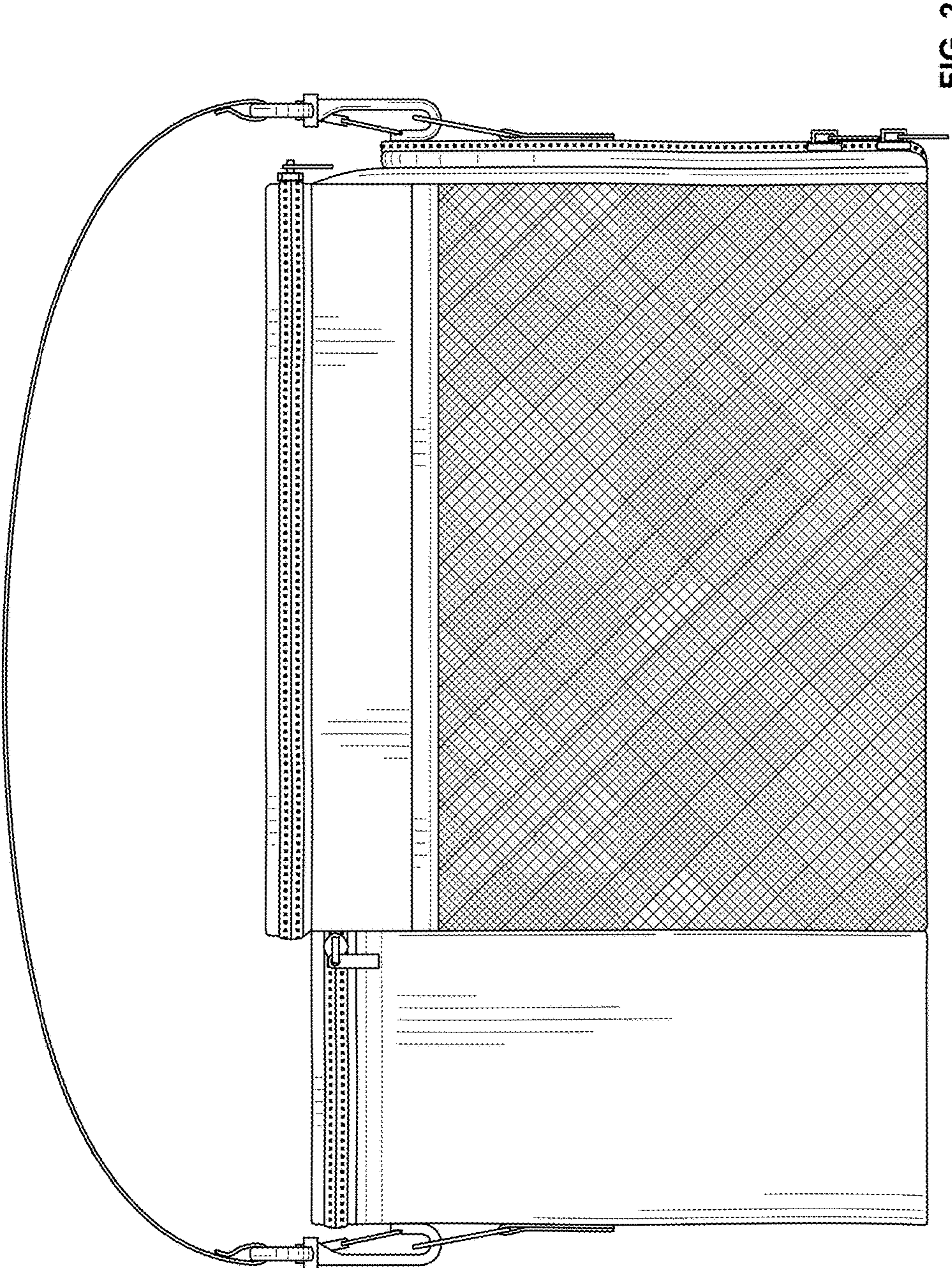


FIG. 2

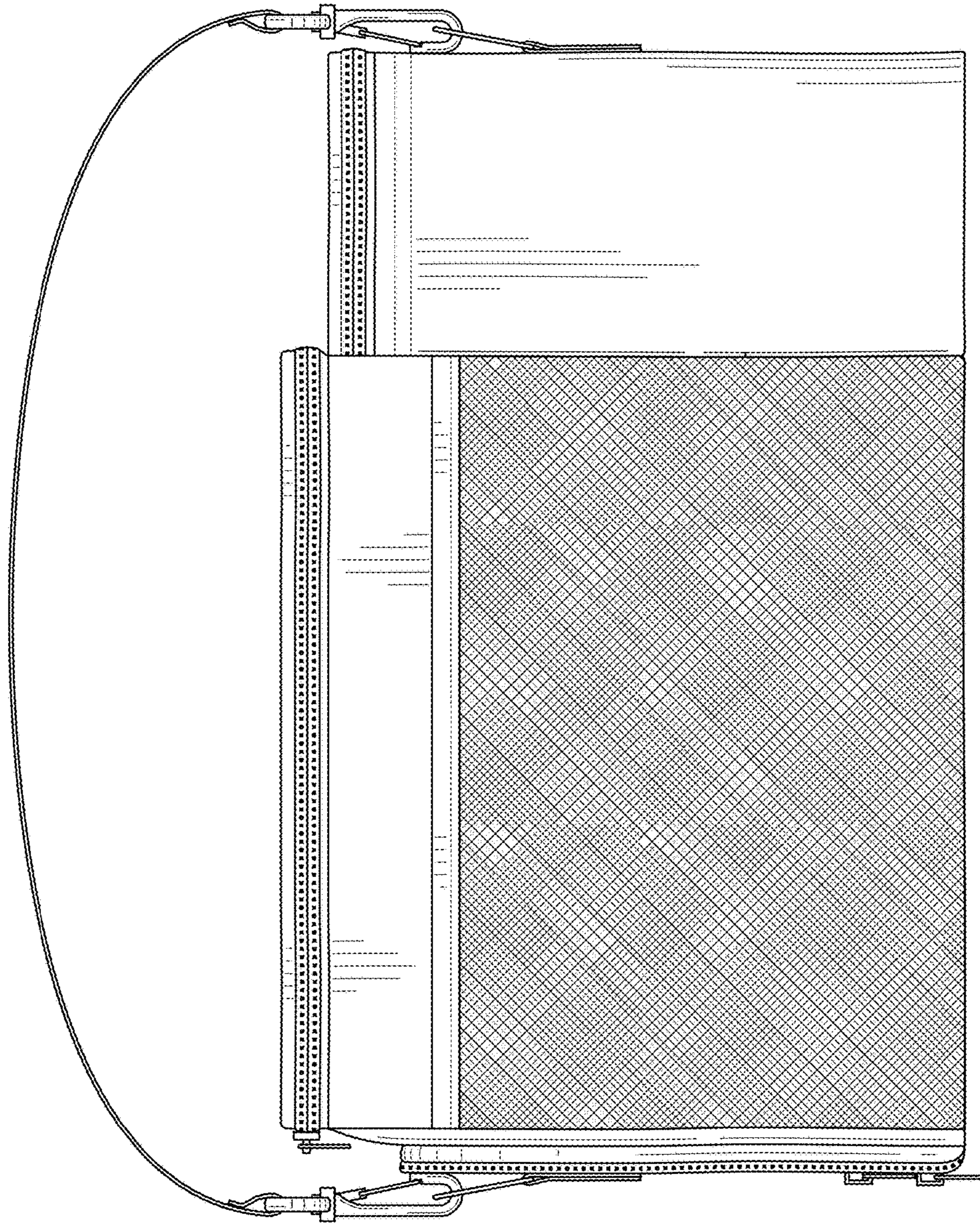


FIG. 3

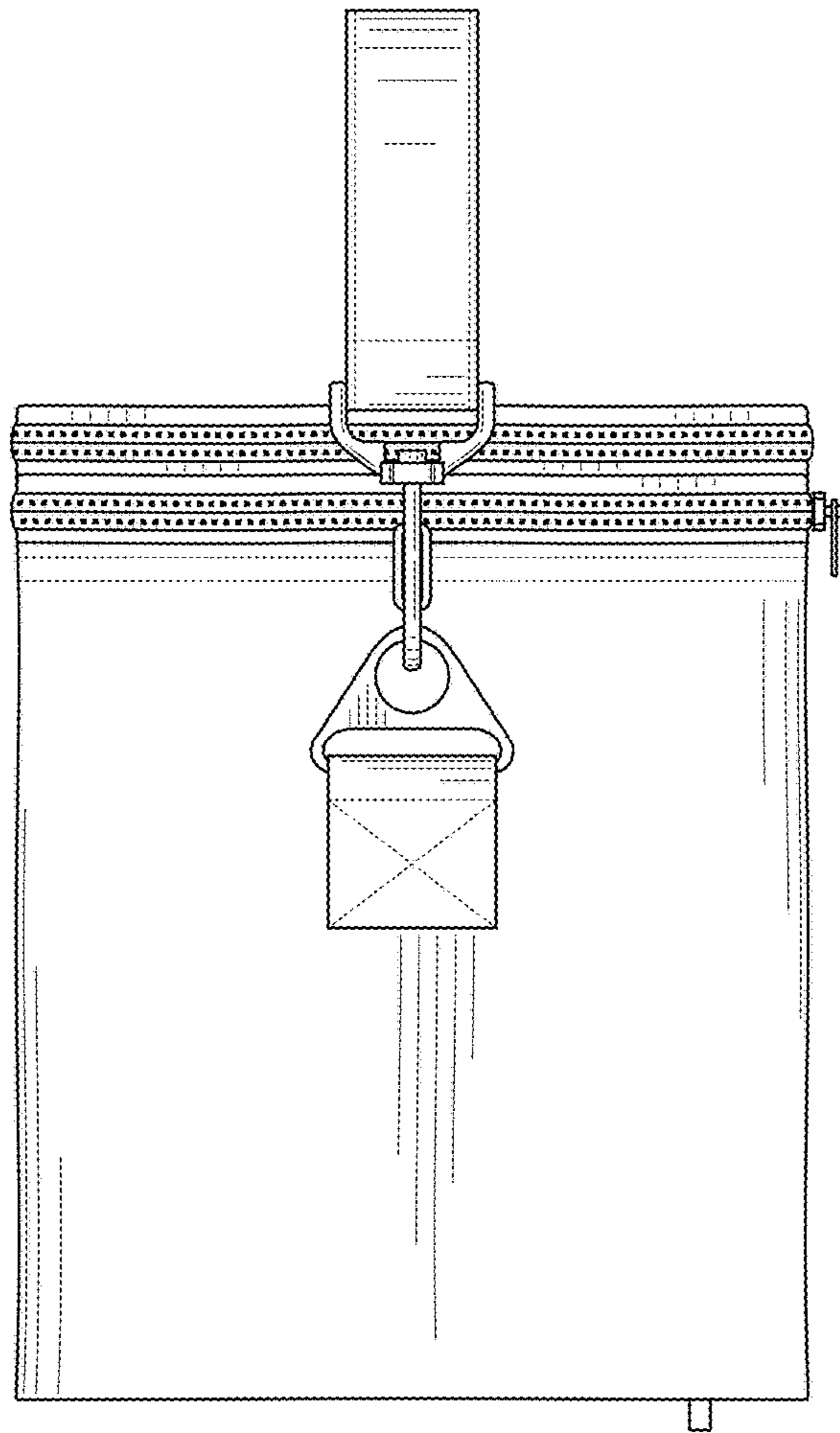


FIG. 4

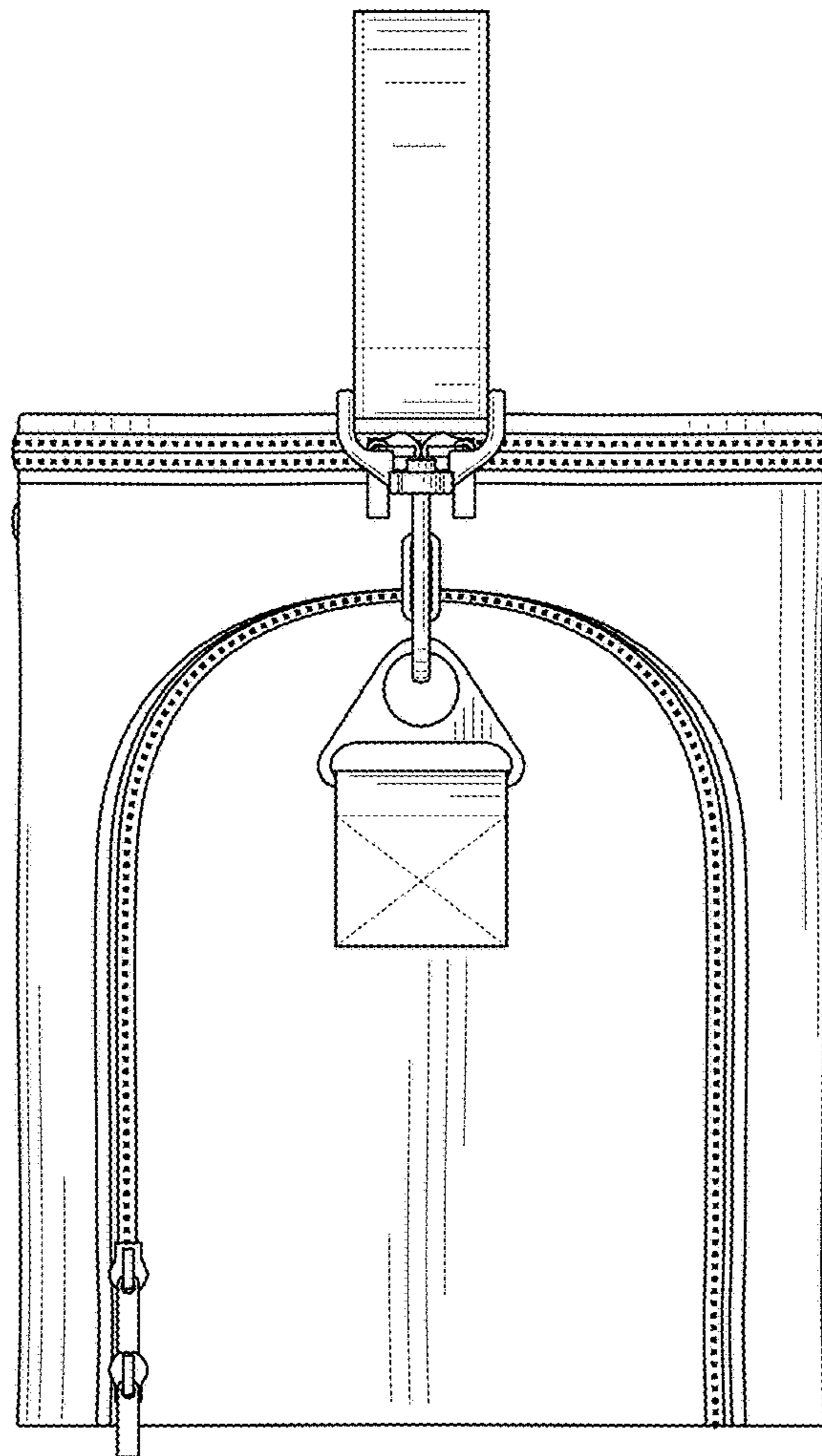


FIG. 5

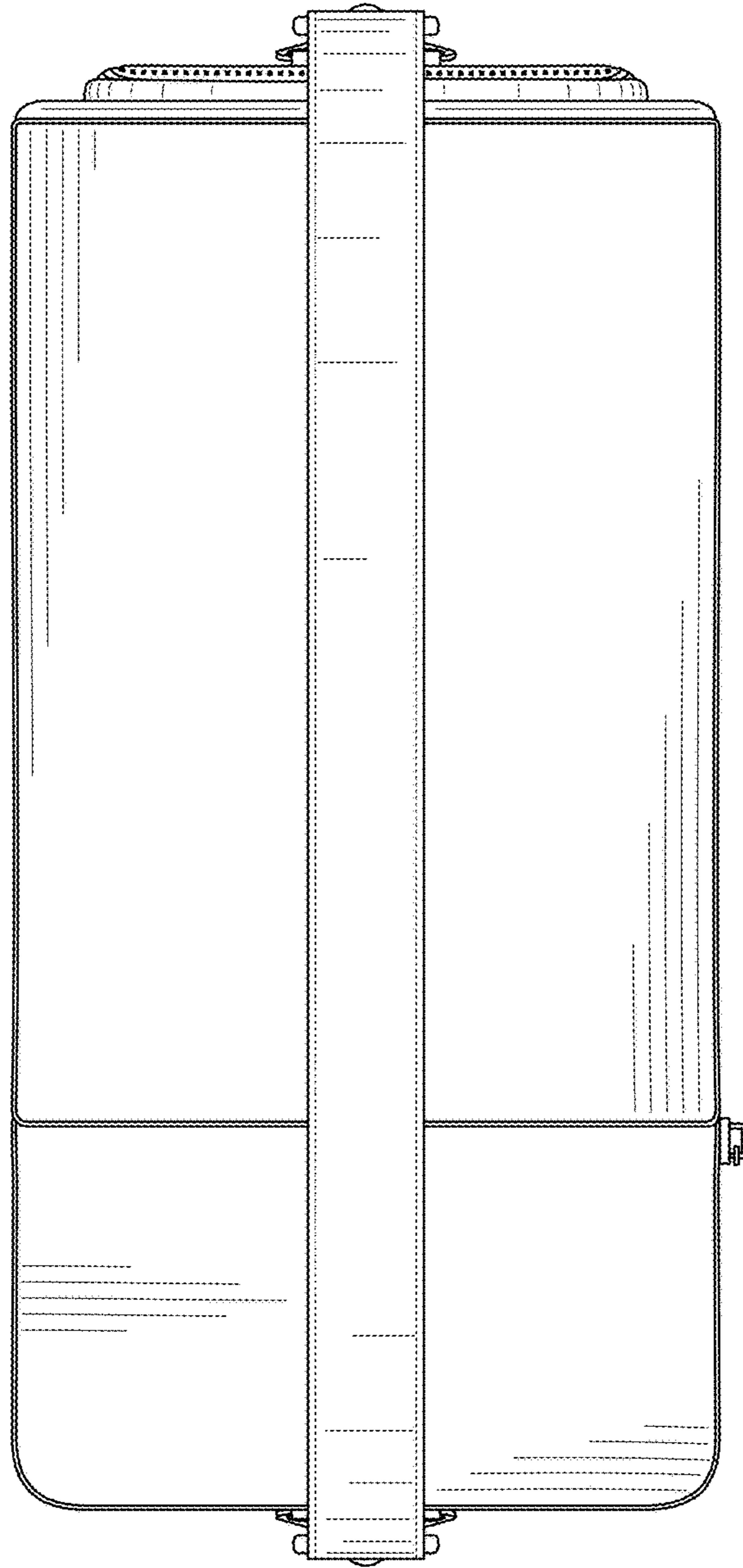


FIG. 6

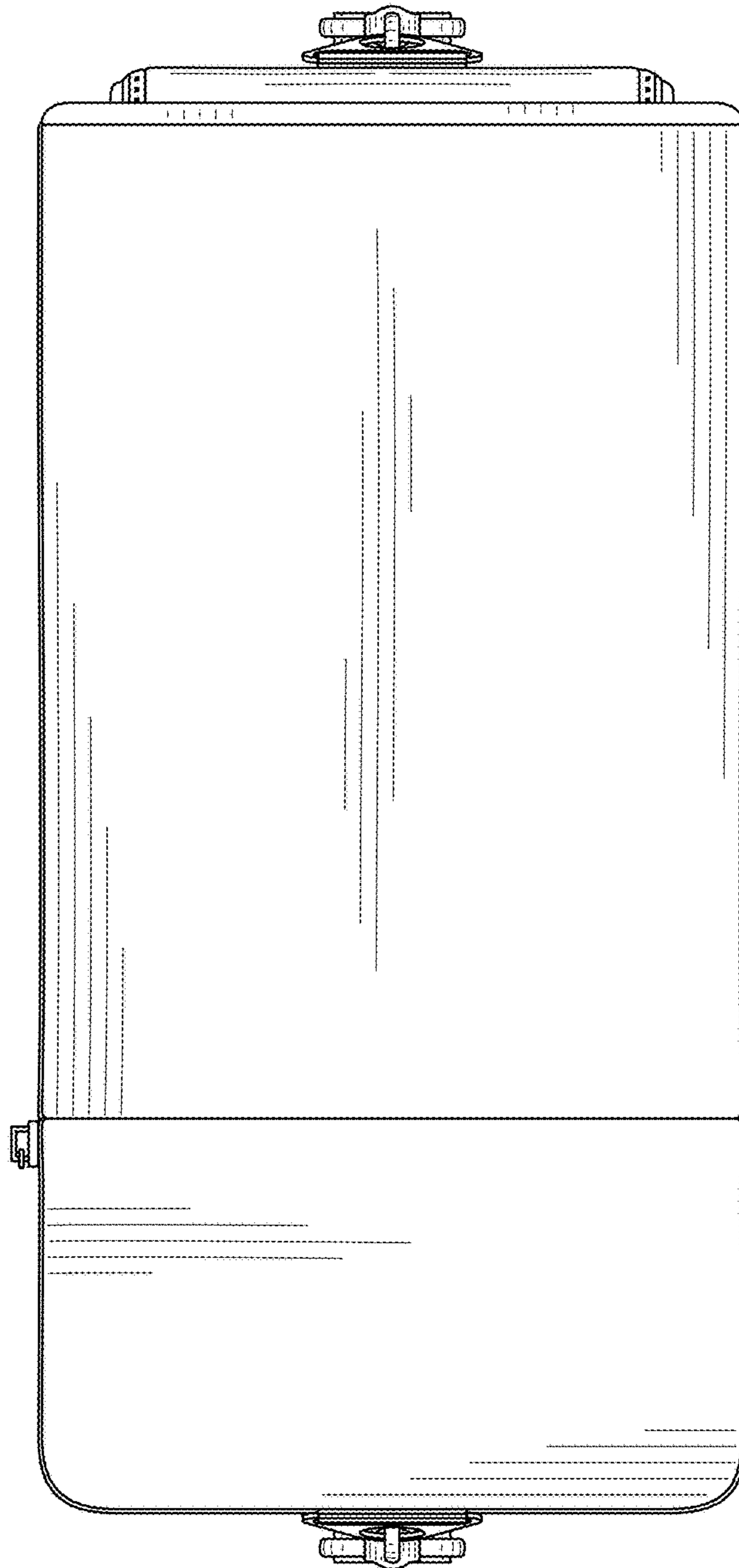


FIG. 7