



US00D858226S

(12) **United States Design Patent** (10) **Patent No.:** **US D858,226 S**
Escontrela et al. (45) **Date of Patent:** **** Sep. 3, 2019**

(54) **ATTACHABLE MULTI-ARTICLE COZY WRAP**
(71) Applicants: **Jessiana Escontrela**, Miami, FL (US);
Henry Zamarripa, Miami, FL (US)
(72) Inventors: **Jessiana Escontrela**, Miami, FL (US);
Henry Zamarripa, Miami, FL (US)

(**) Term: **15 Years**

(21) Appl. No.: **29/640,597**

(22) Filed: **Mar. 15, 2018**

(51) **LOC (12) Cl.** **07-06**

(52) **U.S. Cl.**
USPC **D7/701; D7/607; D7/624.2**

(58) **Field of Classification Search**
USPC **D7/619.1-625, 603-608, 701-708; D9/455**
CPC **B65D 81/3881; B65D 81/3886; B65D 81/3883; B65D 23/08; B65D 23/0885; A47G 23/0241; A47G 23/0266; A47G 19/2288; A47G 21/145; A61F 7/10; F25D 3/08; F25D 3/12; F25D 3/14; A45C 11/20; A45F 3/44**
See application file for complete search history.

(56) **References Cited**

U.S. PATENT DOCUMENTS

D266,048 S * 9/1982 Zills 220/903
4,540,611 A * 9/1985 Henderson B65D 23/08
150/901
5,313,807 A * 5/1994 Owen B65D 81/3886
62/372
5,390,804 A * 2/1995 Beggins B65D 23/0885
215/12.1

D399,707 S * 10/1998 Villarreal, Jr. D7/607
D474,887 S * 5/2003 Forster D3/229
D516,393 S * 3/2006 Wickenhauser D7/619.1
D544,312 S * 6/2007 Dill-Schmidt D7/624.3
D704,006 S * 5/2014 Gonzales D7/607
D725,445 S * 3/2015 Braithwaite D7/601
9,357,829 B1 * 6/2016 Ikier A45F 3/44
D773,809 S * 12/2016 Lieser D3/232
2016/0270575 A1 * 9/2016 Panone A47G 21/145

* cited by examiner

Primary Examiner — Terry A Wallace

(74) *Attorney, Agent, or Firm* — The Rapacke Law Group, P.A.

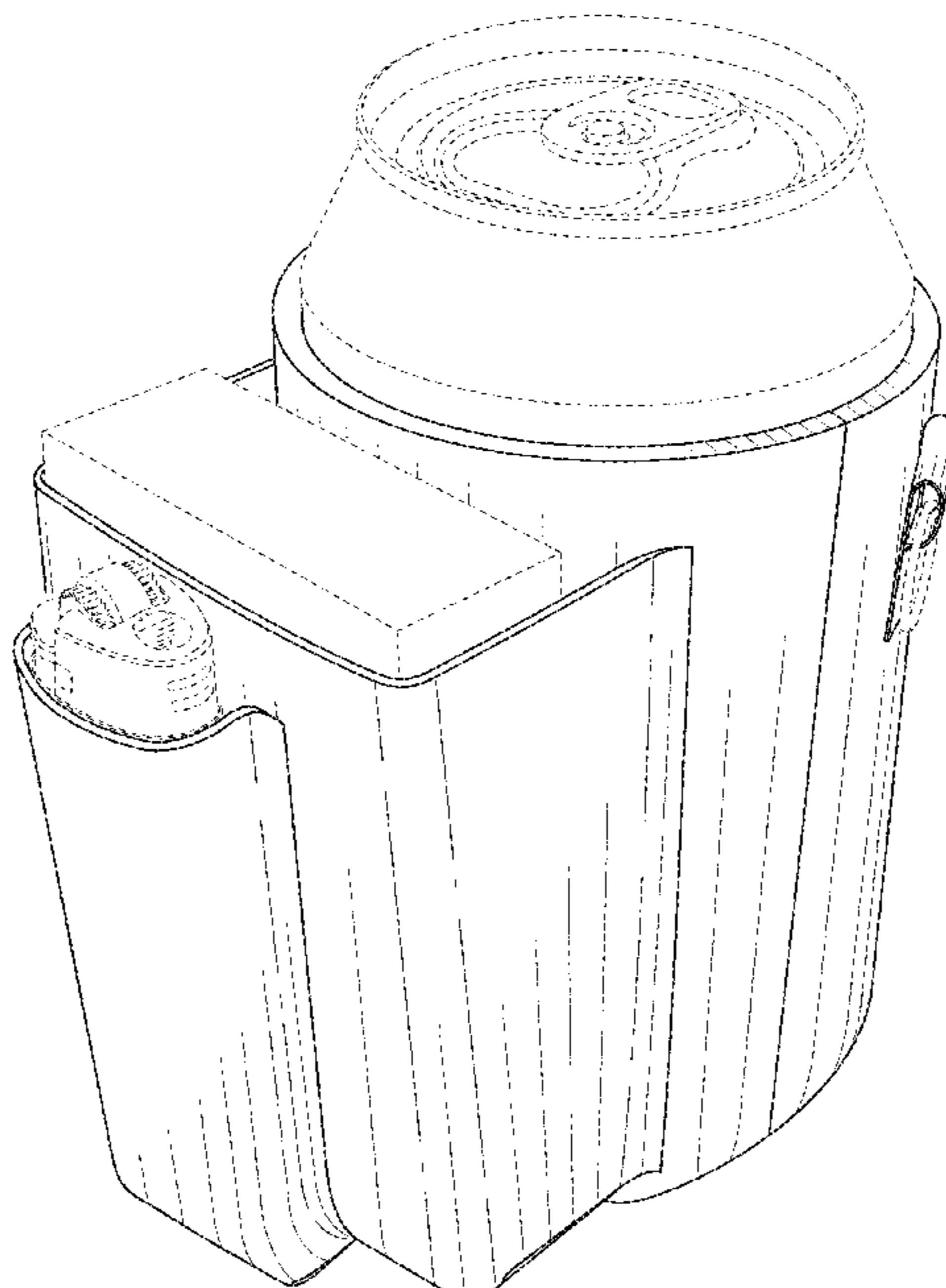
(57) **CLAIM**

The ornamental design for an attachable multi-article cozy wrap, as shown and described.

DESCRIPTION

FIG. 1 is a top perspective view of the attachable multi-article cozy wrap showing our new design;
FIG. 2 is a front elevational view of the attachable multi-article cozy wrap thereof;
FIG. 3 is a rear elevational view of the attachable multi-article cozy wrap thereof;
FIG. 4 is a right side elevational view of the attachable multi-article cozy wrap thereof;
FIG. 5 is a left side elevational view of the attachable multi-article cozy wrap thereof;
FIG. 6 is a top plan view of the attachable multi-article cozy wrap thereof; and,
FIG. 7 is a bottom plan view of the attachable multi-article cozy wrap thereof.
The broken lines in the drawings illustrate environmental subject matter and form no part of the claimed design.

1 Claim, 5 Drawing Sheets



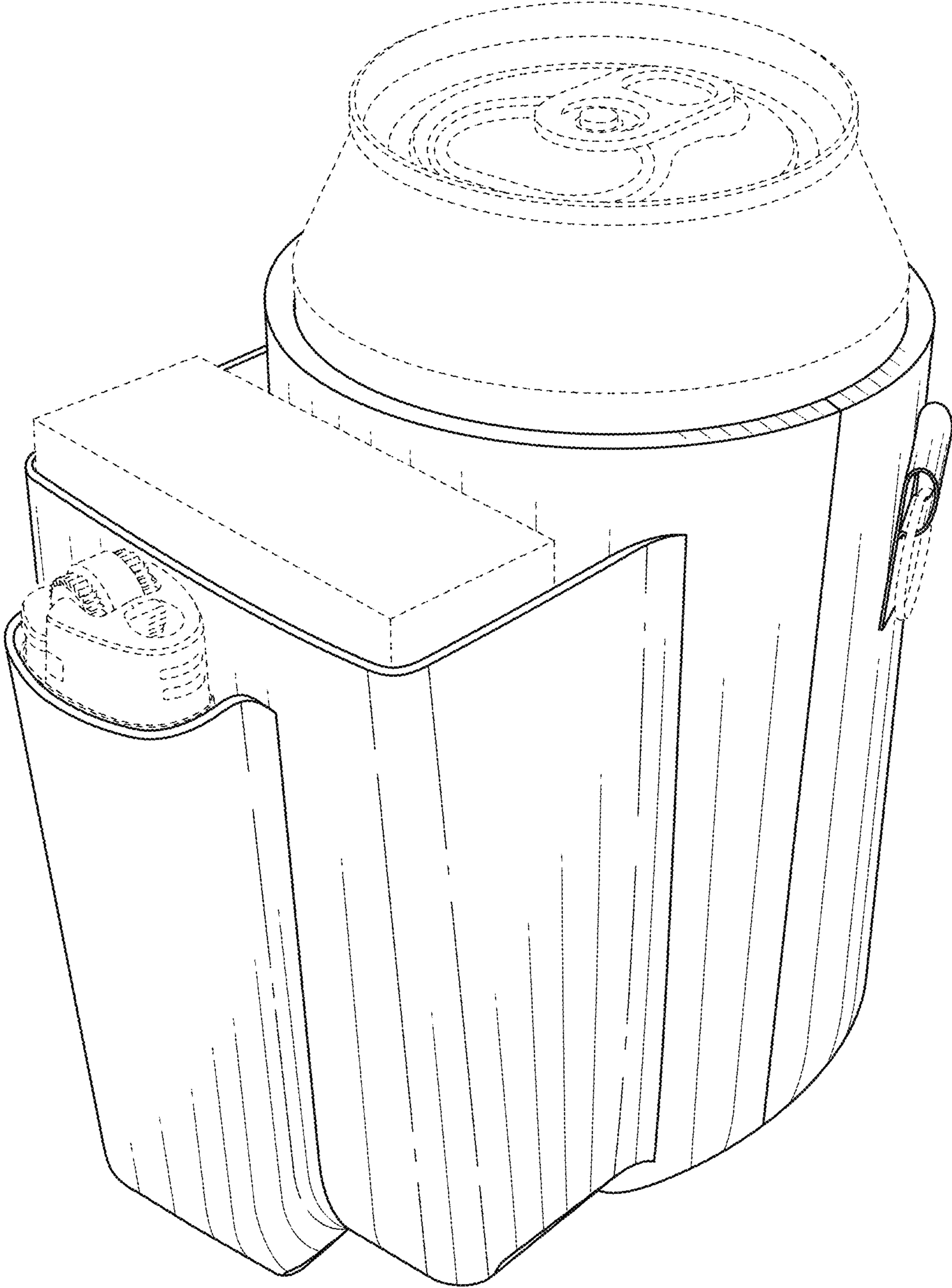
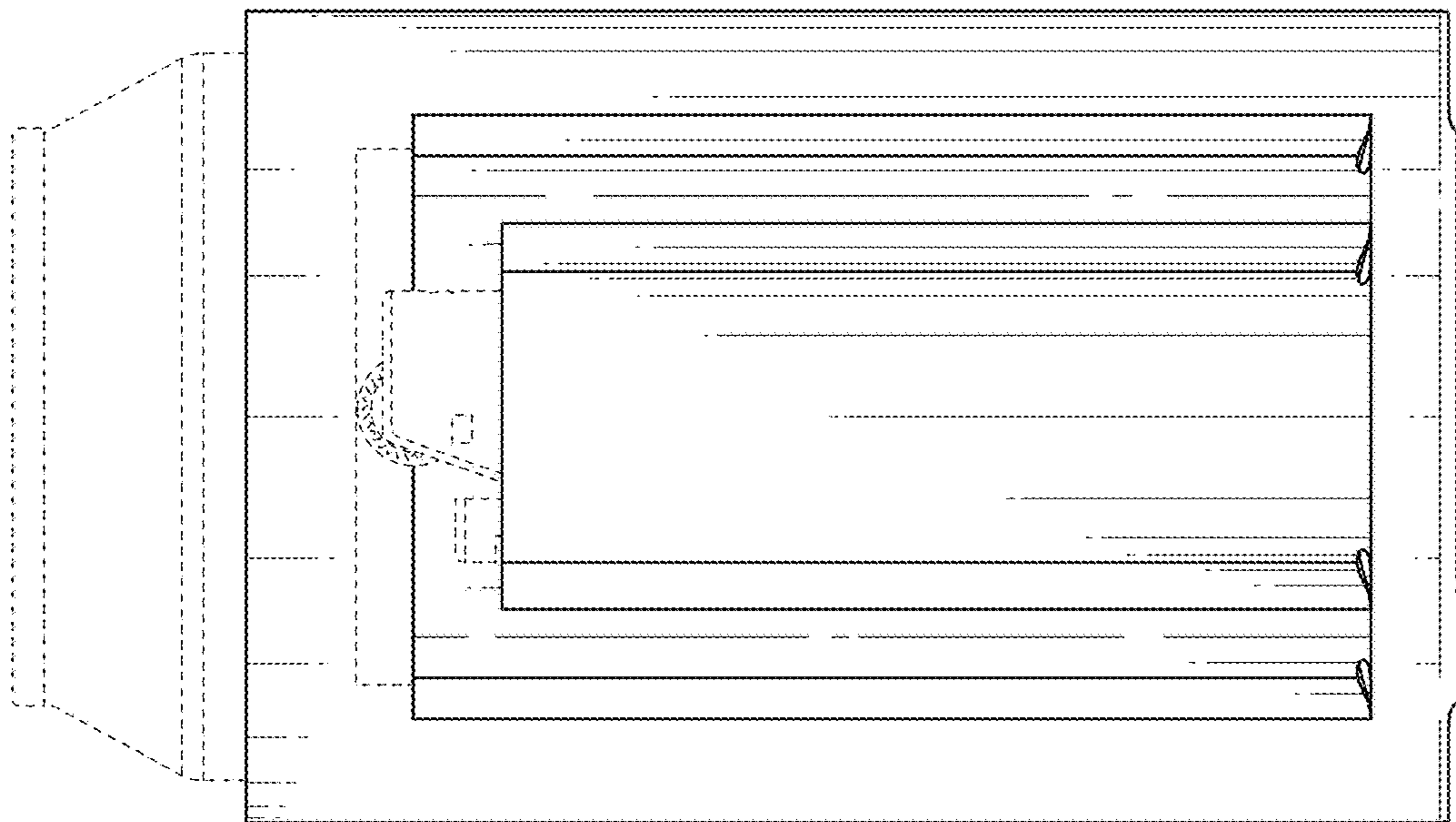
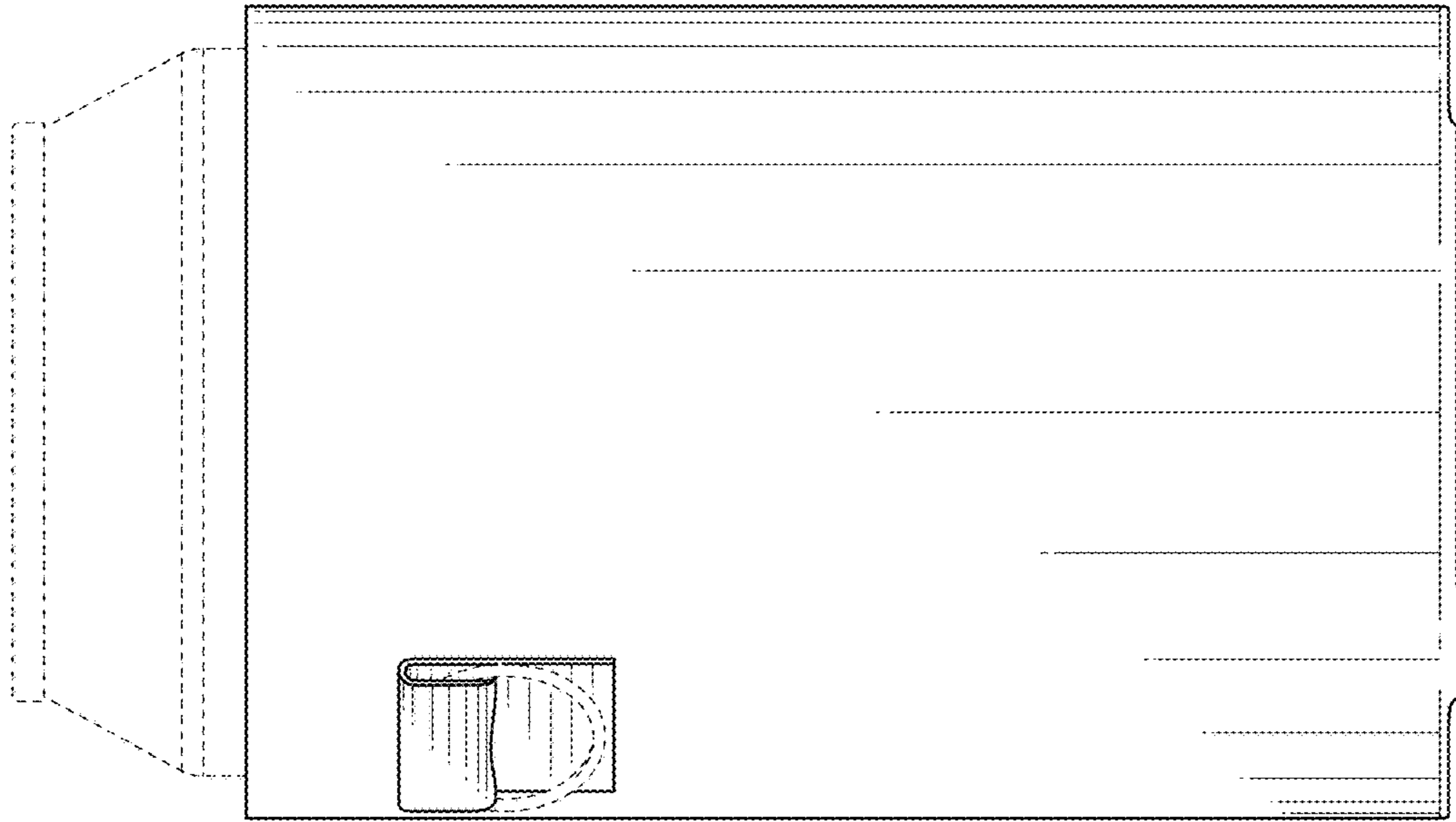


FIG. 1



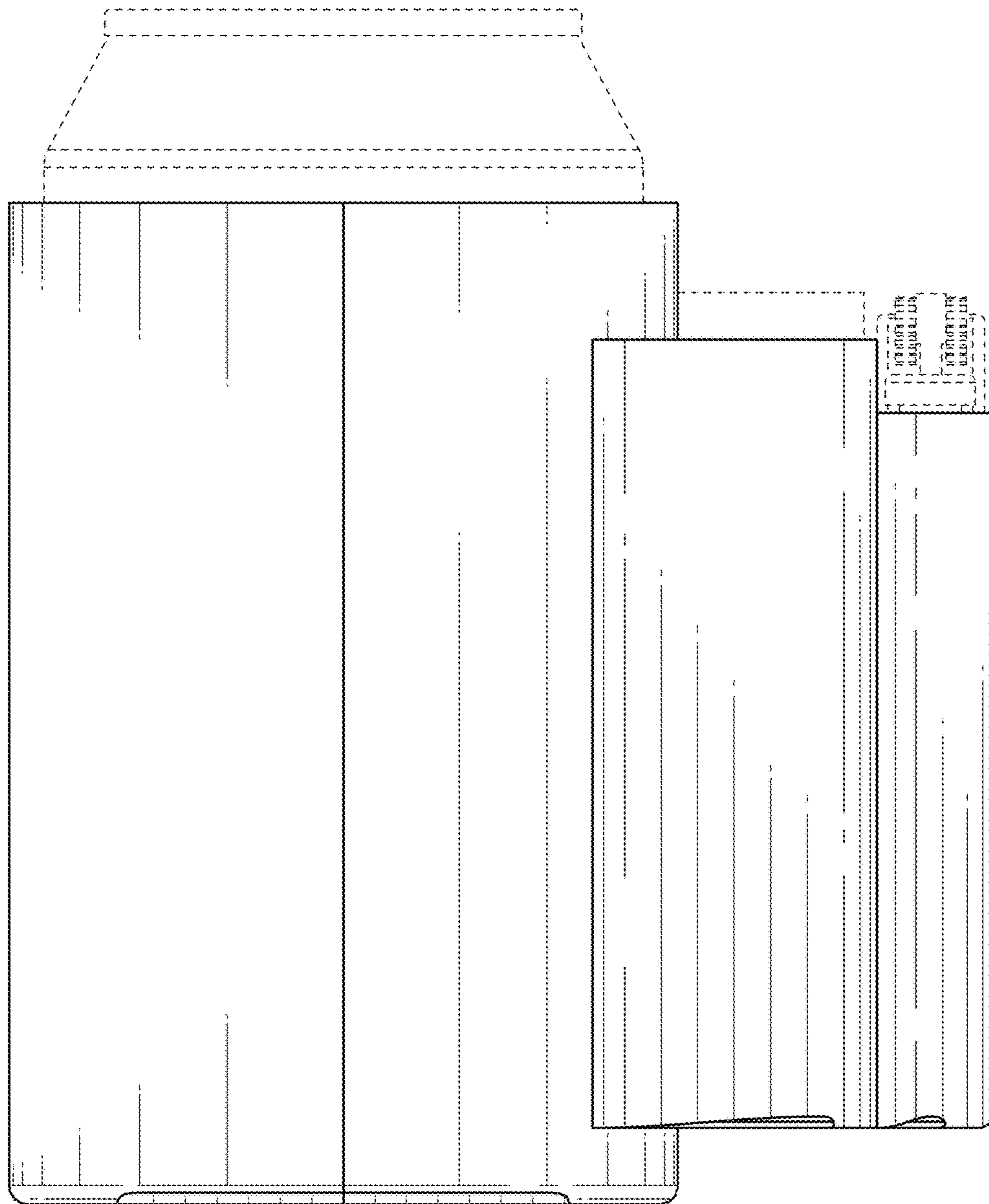


FIG. 4

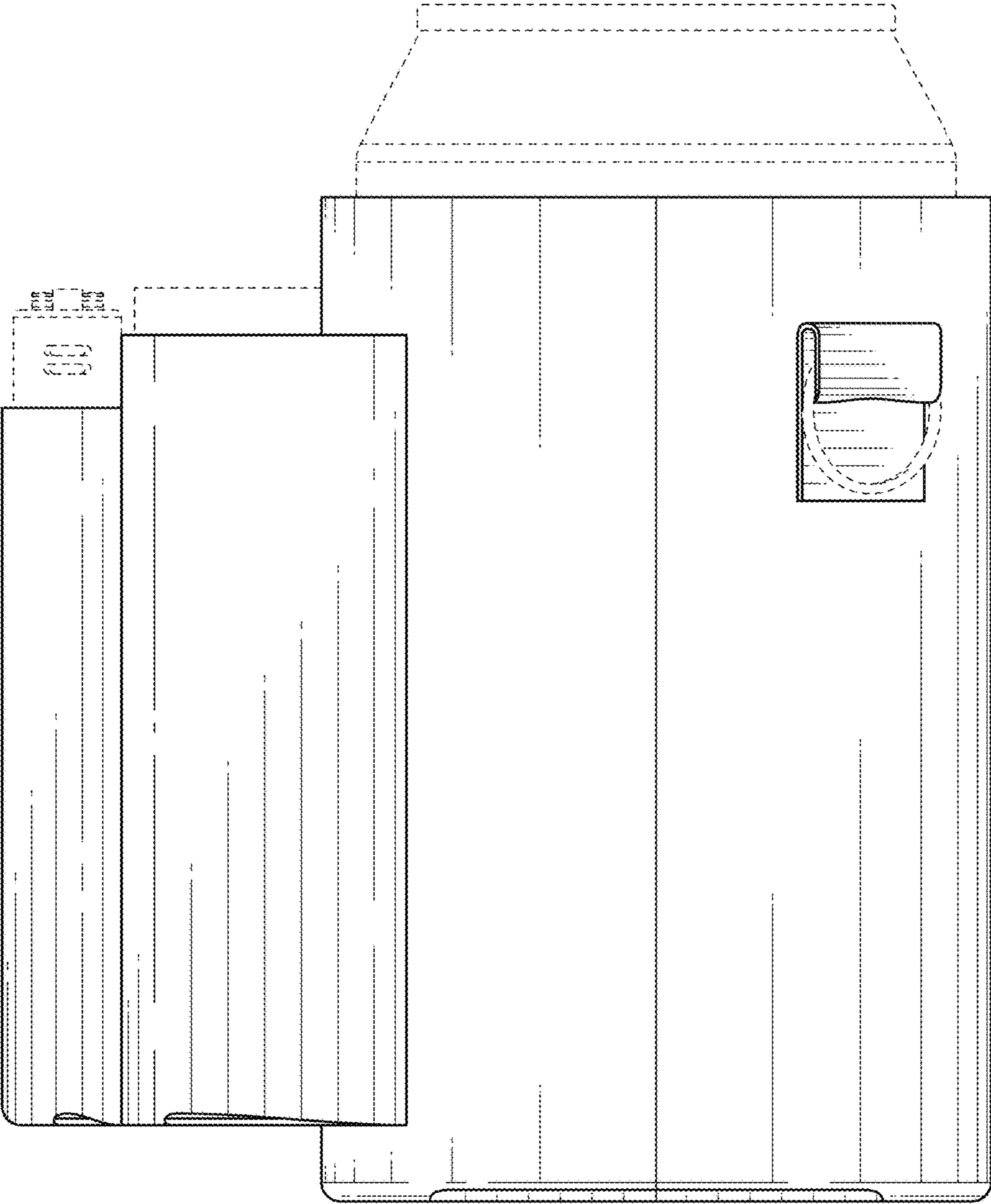


FIG. 5

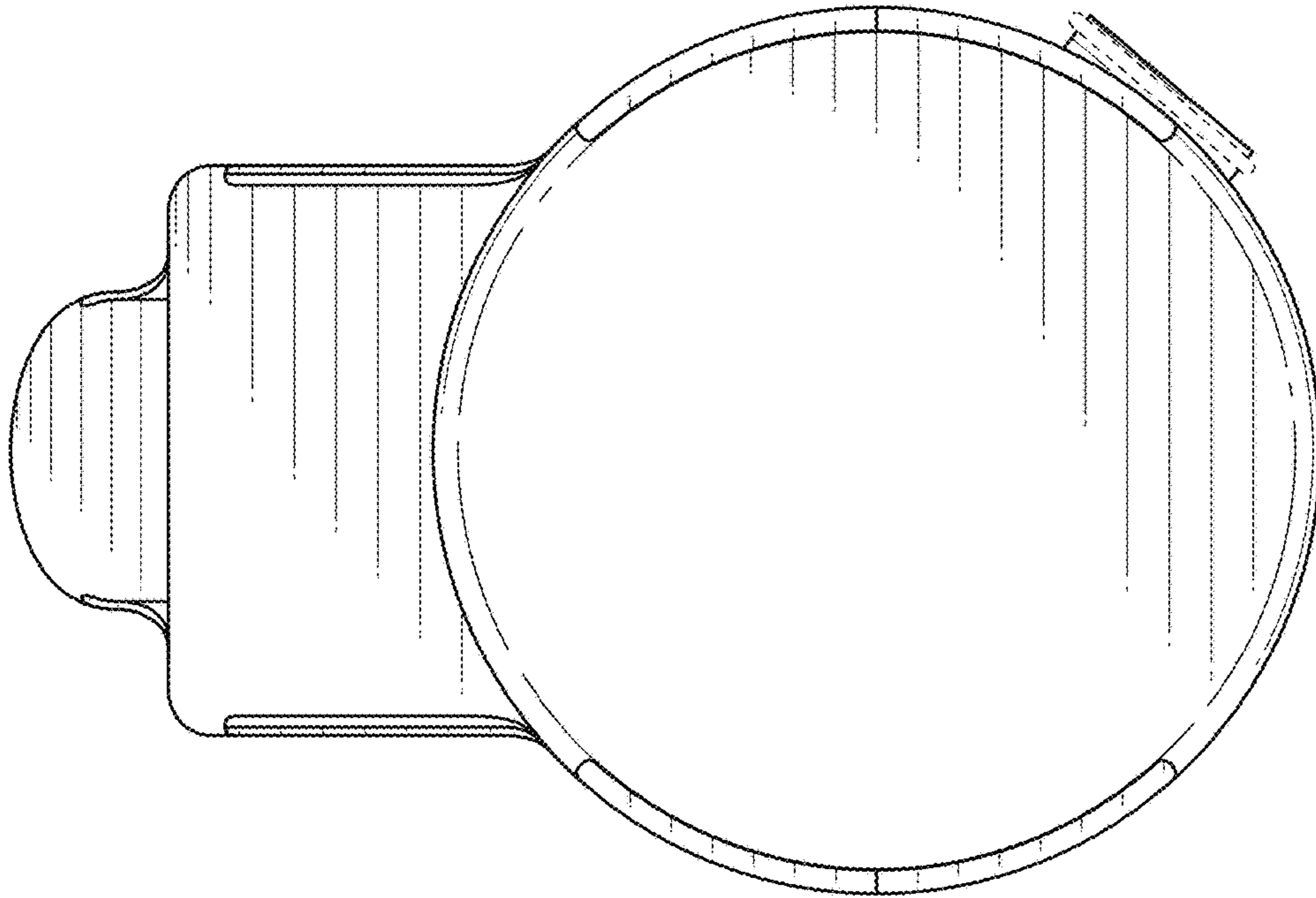


FIG. 6

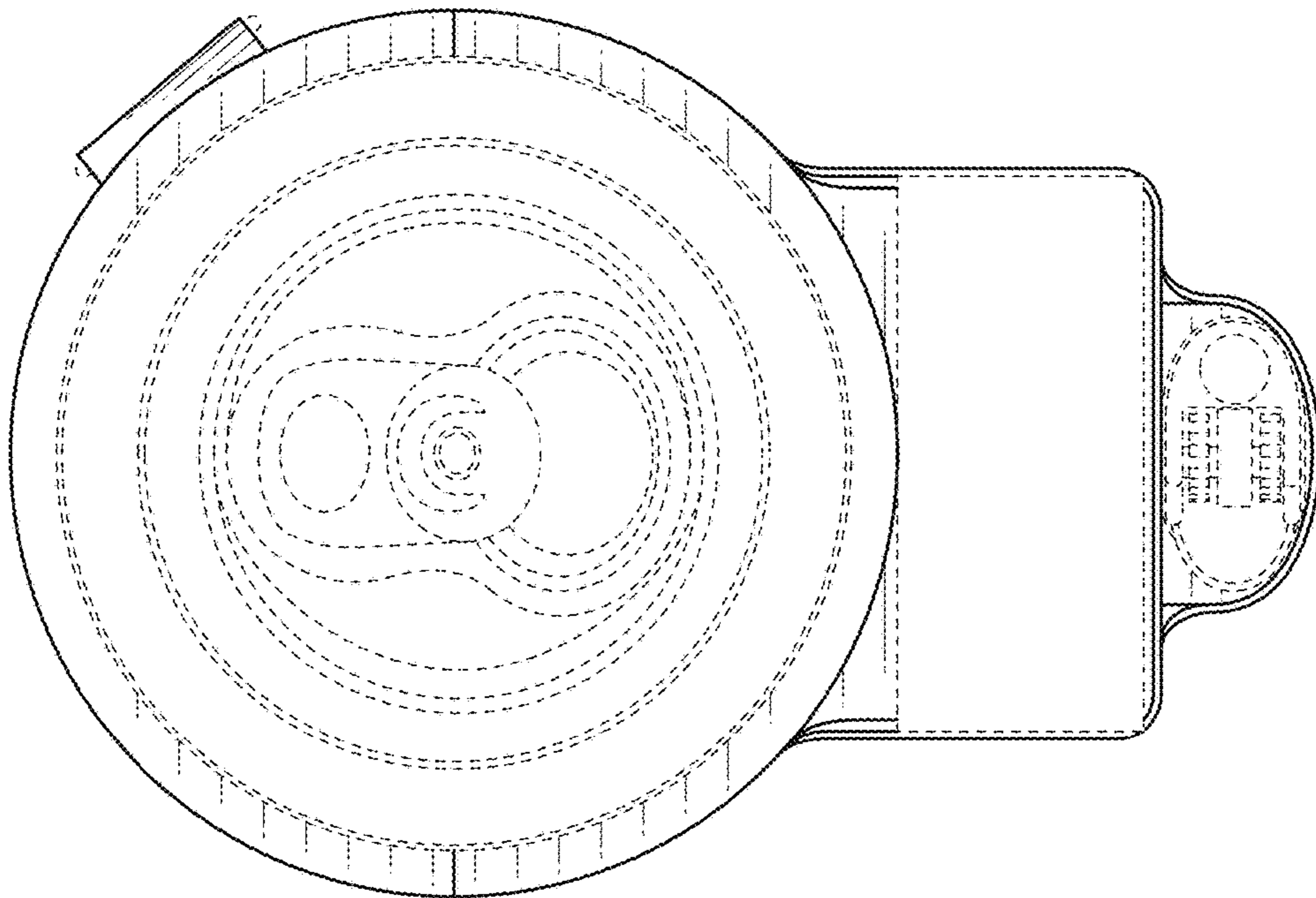


FIG. 7