



US00D858225S

(12) **United States Design Patent** (10) **Patent No.:** **US D858,225 S**
Sorice (45) **Date of Patent:** **** Sep. 3, 2019**

- (54) **CUTTING BOARD**
- (71) Applicant: **Carnivore Cutting Boards Corp.**,
Melbourne, FL (US)
- (72) Inventor: **Alexander Sorice**, Melbourne, FL (US)
- (73) Assignee: **CARNIVORE CUTTING BOARDS CORP.**, Melbourne, FL (US)
- (**) Term: **15 Years**
- (21) Appl. No.: **29/648,740**
- (22) Filed: **May 23, 2018**
- (51) **LOC (12) Cl.** **07-04**
- (52) **U.S. Cl.**
USPC **D7/698**
- (58) **Field of Classification Search**
USPC D7/388, 543, 549, 550.1, 554.2, 586,
D7/698-699; D32/55-57
CPC A47J 47/00; A47J 47/005; A47J 47/20;
B26D 7/0006; B26D 7/018; B26D 7/20;
B23D 21/00; B23K 37/04; B23K 37/053;
B23Q 16/001
See application file for complete search history.

D723,882 S * 3/2015 Khuu A47J 47/005
D7/698
D740,084 S * 10/2015 Schmitt D7/698
2004/0119220 A1 * 6/2004 Davis A47J 47/005
269/289 R

* cited by examiner

Primary Examiner — Ricky Pham
(74) *Attorney, Agent, or Firm* — Mark Malek; Widerman Malek, PL

(57) **CLAIM**

The ornamental design for a cutting board, as shown and described.

DESCRIPTION

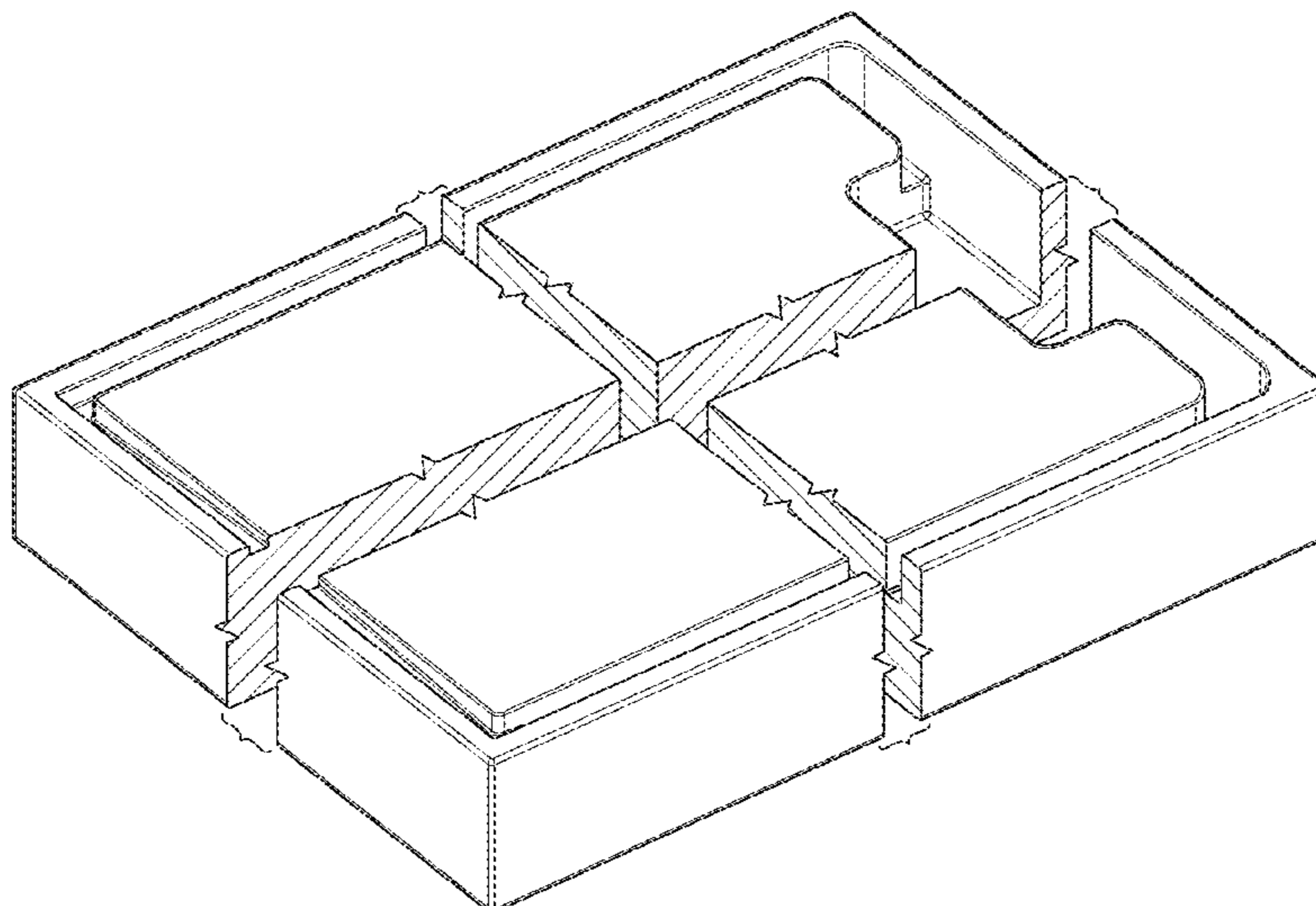
FIG. 1 is a perspective view of a cutting board according to the present invention.
FIG. 2 is a front elevation view of the cutting board illustrated in FIG. 1.
FIG. 3 is a rear elevation view of the cutting board illustrated in FIG. 1.
FIG. 4 is a side elevation view of the cutting board illustrated in FIG. 1.
FIG. 5 is another side elevation view of the cutting board illustrated in FIG. 1.
FIG. 6 is a top plan view of the cutting board illustrated in FIG. 1.
FIG. 7 is a bottom plan view of the cutting board illustrated in FIG. 1.
FIG. 8 is a sectional view of the cutting board illustrated in FIG. 1 and taken through line 8-8 in FIG. 6.
FIG. 9 is a sectional view of the cutting board illustrated in FIG. 1 and taken through line 9-9 in FIG. 6.
FIG. 10 is a sectional view of the cutting board illustrated in FIG. 1 and taken through line 10-10 in FIG. 6; and,
FIG. 11 is a sectional view of the cutting board illustrated in FIG. 1 and taken through line 11-11 in FIG. 6.
The broken away symbols in the drawings indicate the appearance of any portion of the article between the break lines forms no part of the claimed design.

(56) **References Cited**

U.S. PATENT DOCUMENTS

- D382,445 S * 8/1997 Indekeu A47J 47/005
D7/545
- D412,815 S * 8/1999 Porter D7/698
- 6,422,551 B1 * 7/2002 Brotz A47J 47/005
269/13
- D464,237 S * 10/2002 Kaposi D7/698
- D543,423 S * 5/2007 Benson D7/698
- D556,522 S * 12/2007 Martinez D7/698
- D571,167 S * 6/2008 McCammon D7/698
- D615,826 S * 5/2010 Tsui D7/698
- D616,700 S * 6/2010 Pourounidis D7/388
- D682,634 S * 5/2013 Datavs D7/698

1 Claim, 6 Drawing Sheets



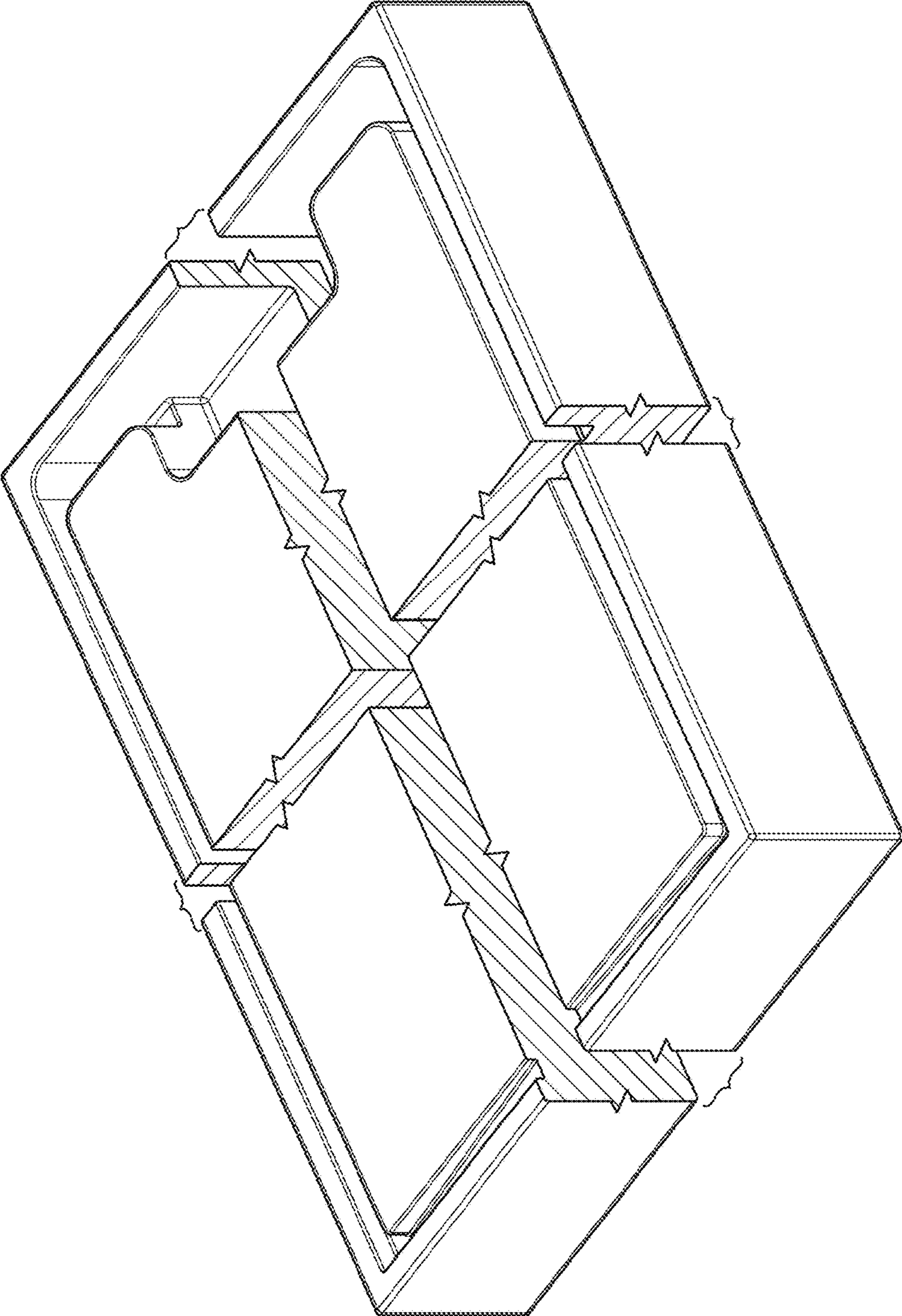


FIG. 1

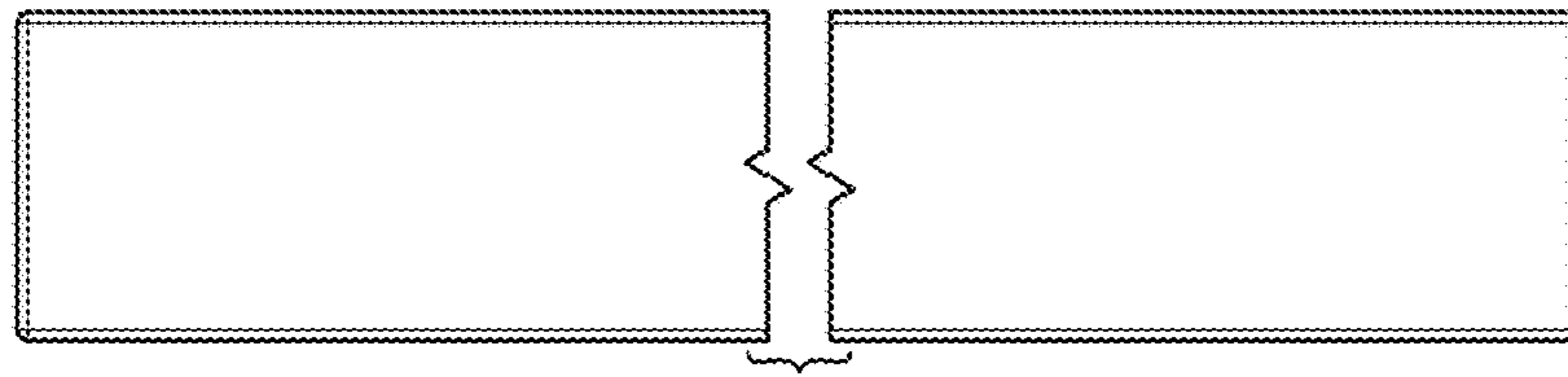


FIG. 2

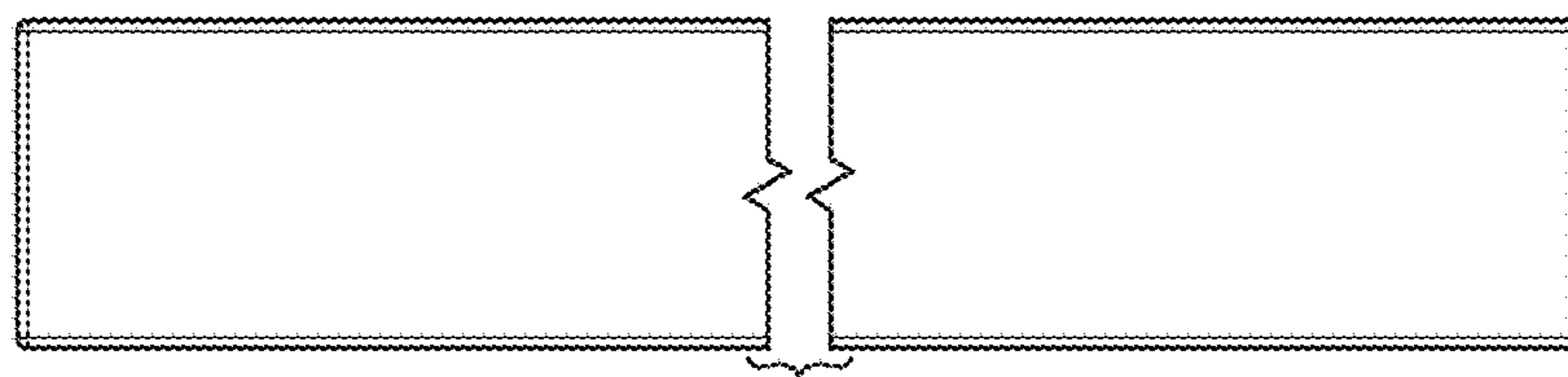


FIG. 3

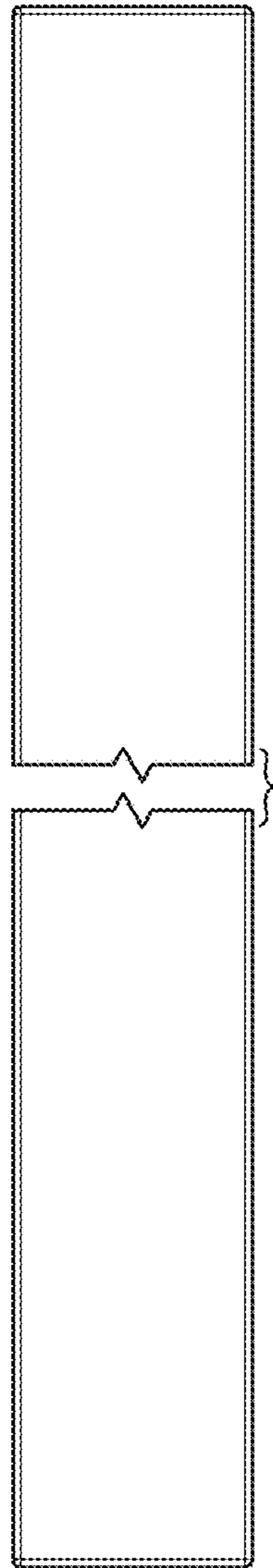


FIG. 4

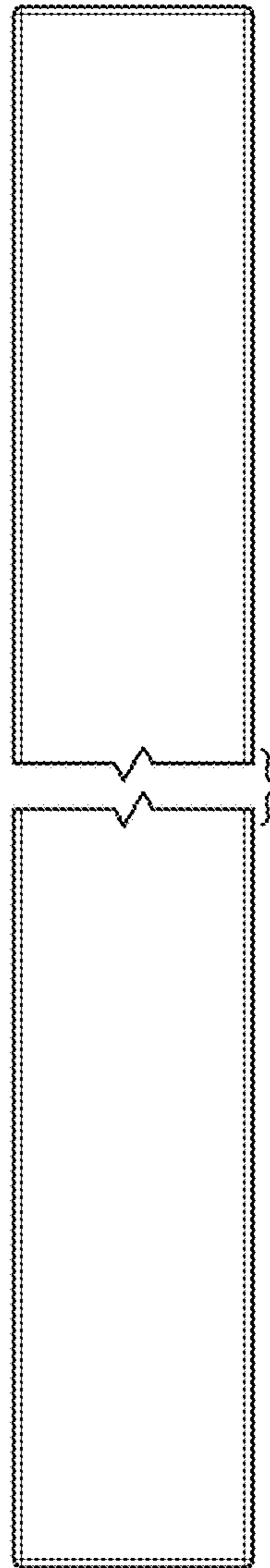


FIG. 5

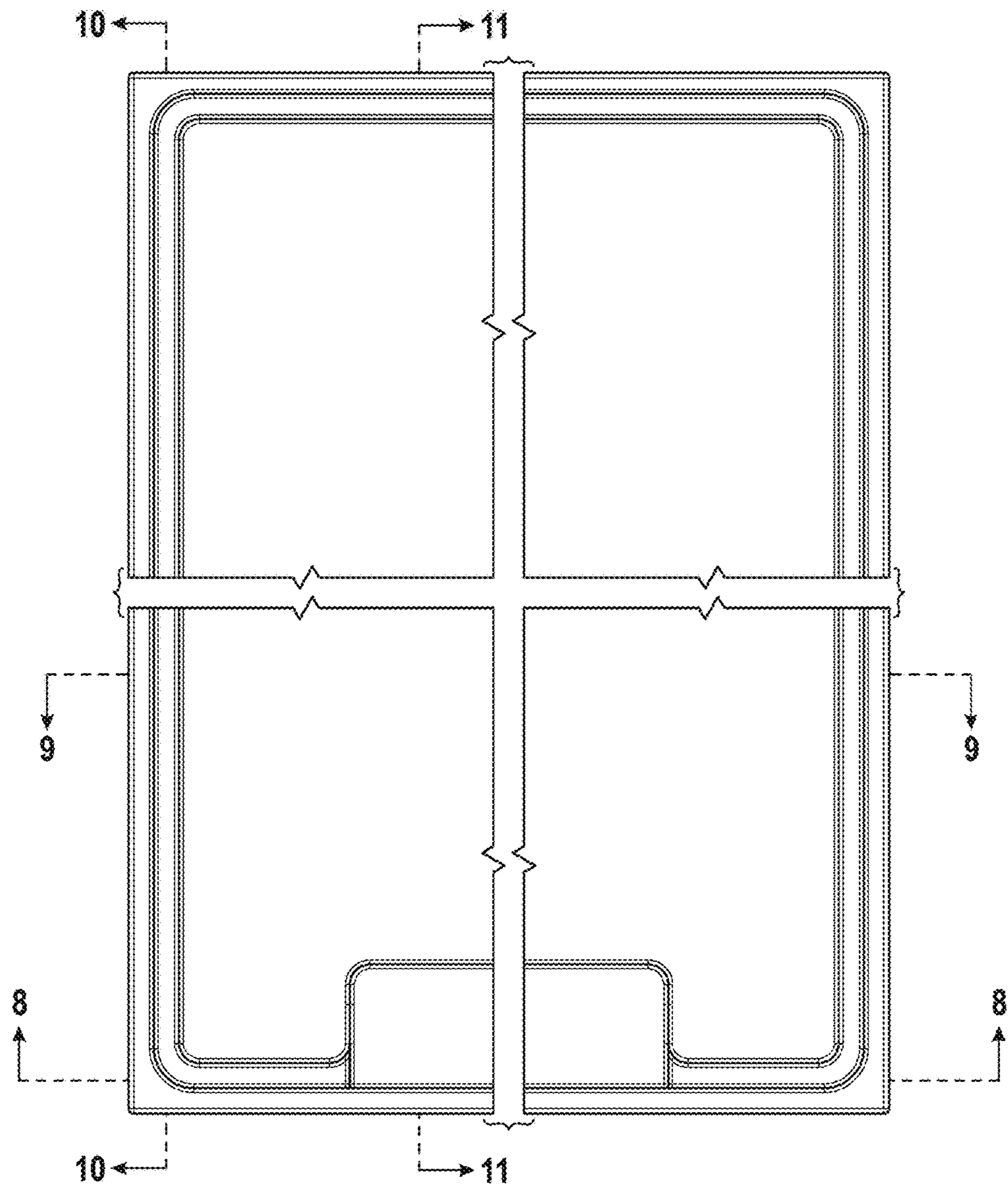


FIG. 6

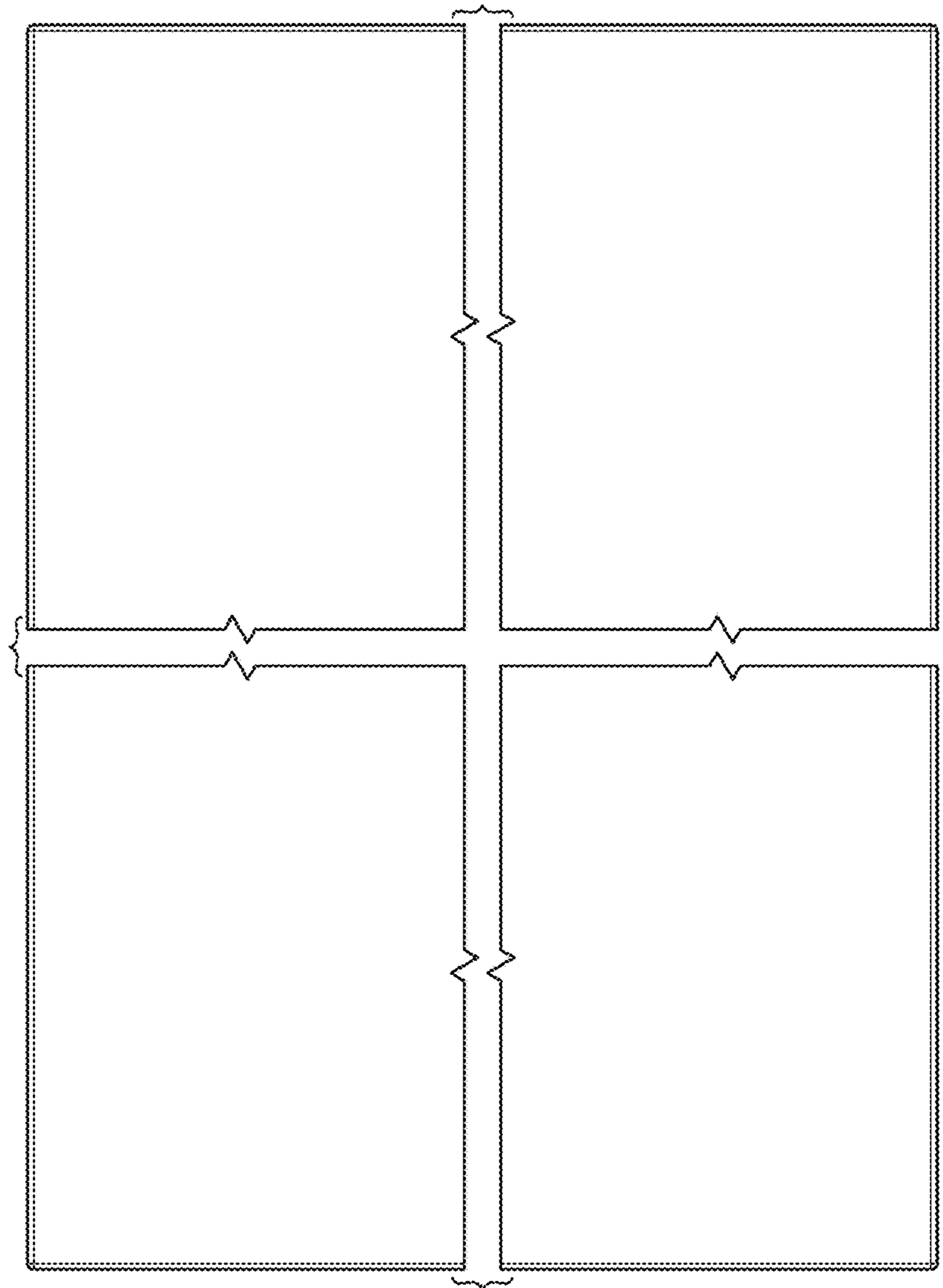


FIG. 7

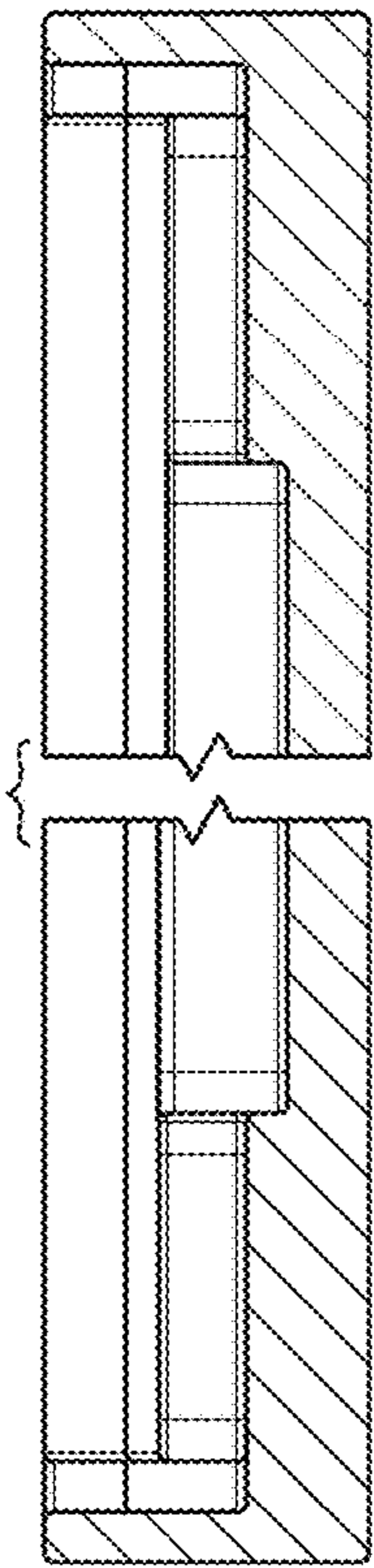


FIG. 8

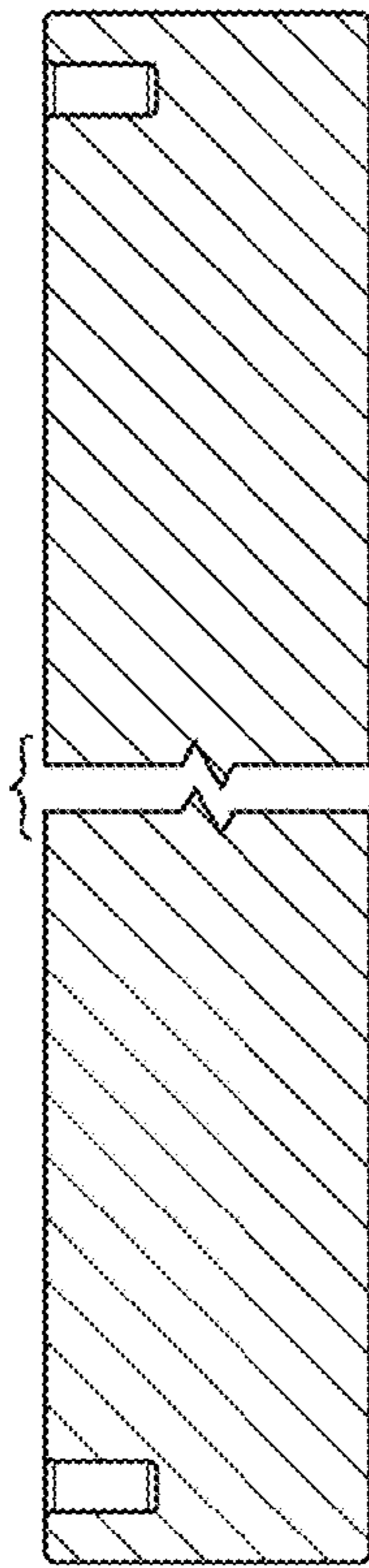


FIG. 9

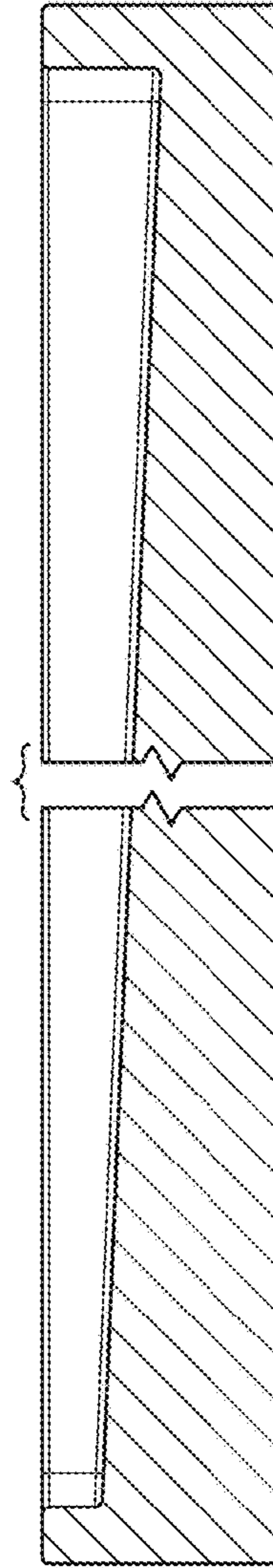


FIG. 10

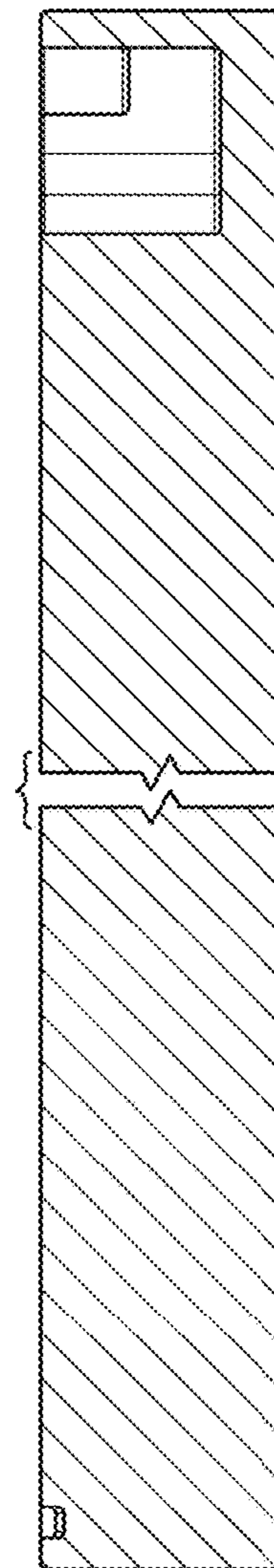


FIG. 11