



US00D858223S

(12) **United States Design Patent**
Feng

(10) **Patent No.:** **US D858,223 S**

(45) **Date of Patent:** **** Sep. 3, 2019**

(54) **ADJUSTABLE VEGETABLE FOOD MACHINE**

(71) Applicant: **Shengli Feng**, Taizhou (CN)

(72) Inventor: **Shengli Feng**, Taizhou (CN)

(**) Term: **15 Years**

(21) Appl. No.: **29/645,125**

(22) Filed: **Apr. 24, 2018**

(30) **Foreign Application Priority Data**

Oct. 24, 2017 (CN) 2017 3 0507349

(51) **LOC (12) Cl.** **07-04**

(52) **U.S. Cl.**
USPC **D7/693; D7/381**

(58) **Field of Classification Search**
USPC D7/693, 381, 383, 384, 672-677, 412
CPC . A47J 17/00; A47J 17/02; A47J 17/16; A23N
7/02; A23N 7/026; B26D 3/283; B26D
3/26; B26D 3/185; B26D 3/03; B26D
3/11

See application file for complete search history.

(56) **References Cited**

U.S. PATENT DOCUMENTS

5,690,022 A * 11/1997 Chai A23N 7/026
99/541
6,053,098 A * 4/2000 Yamamoto B26D 3/11
83/425.1

D521,327 S * 5/2006 Neal D7/669
D747,916 S * 1/2016 Wong D7/381
D779,294 S * 2/2017 Friedman D7/693
D793,181 S * 8/2017 Wong D7/693
D796,917 S * 9/2017 Wong D7/381
D815,499 S * 4/2018 Chen D7/693
D830,140 S * 10/2018 Chen D7/693
2016/0250768 A1 * 9/2016 Levine B26D 3/11
83/52
2016/0257013 A1 * 9/2016 Exley B26D 3/11

* cited by examiner

Primary Examiner — Terry A Wallace

(74) *Attorney, Agent, or Firm* — Sand, Sebolt & Wernow
Co., LPA

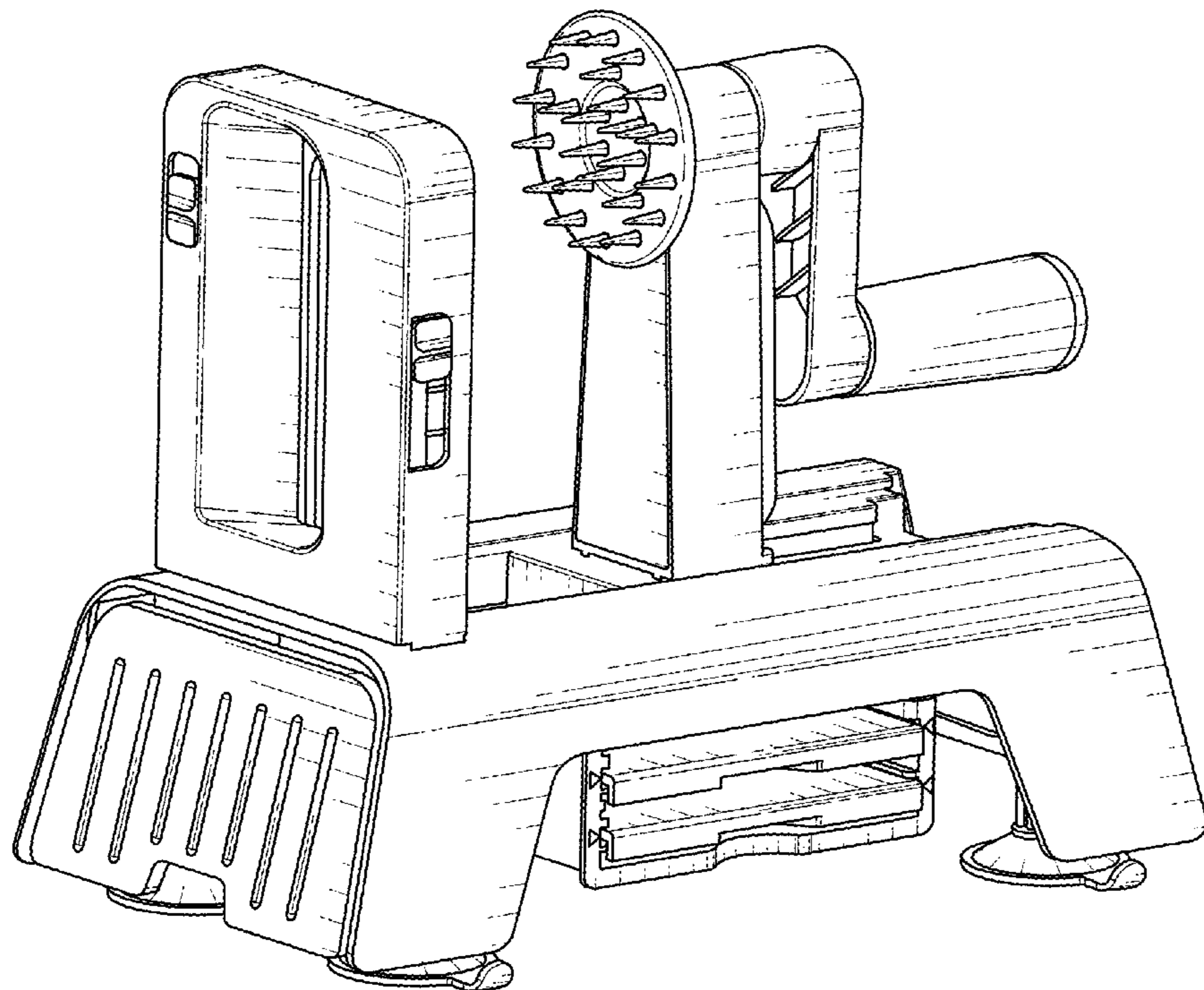
(57) **CLAIM**

The ornamental design for an adjustable vegetable food machine, as shown and described.

DESCRIPTION

FIG. 1 is a perspective view of the adjustable vegetable food machine in accordance with my design; FIG. 2 is a front elevation view thereof; FIG. 3 is a rear elevation view thereof; FIG. 4 is a right side elevation view thereof; FIG. 5 is a left side elevation view thereof; FIG. 6 is a top plan view thereof; and, FIG. 7 is a bottom plan view thereof. The broken lines illustrate portions of the adjustable vegetable food machine which form no part of the claimed design.

1 Claim, 7 Drawing Sheets



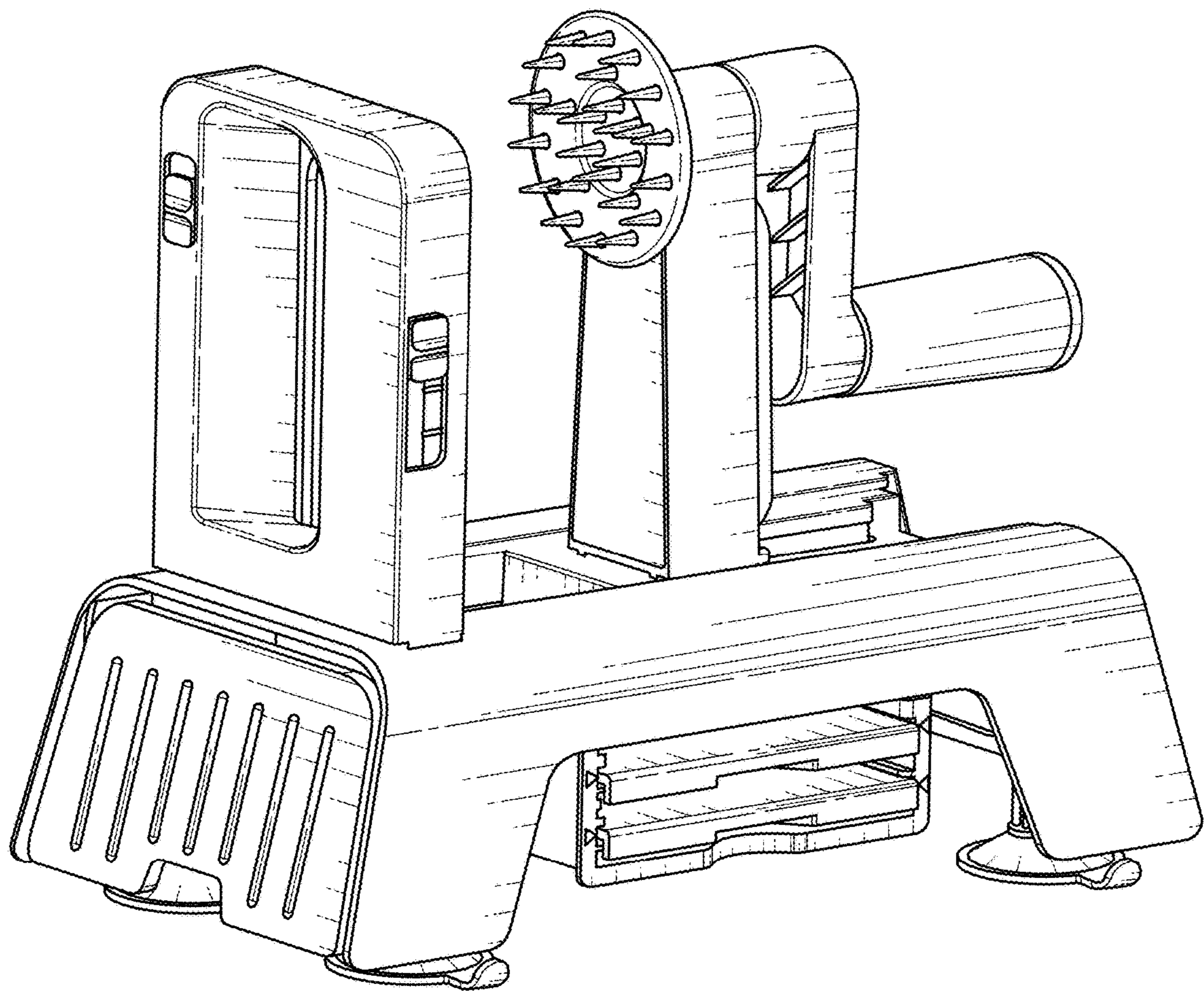


FIG. 1

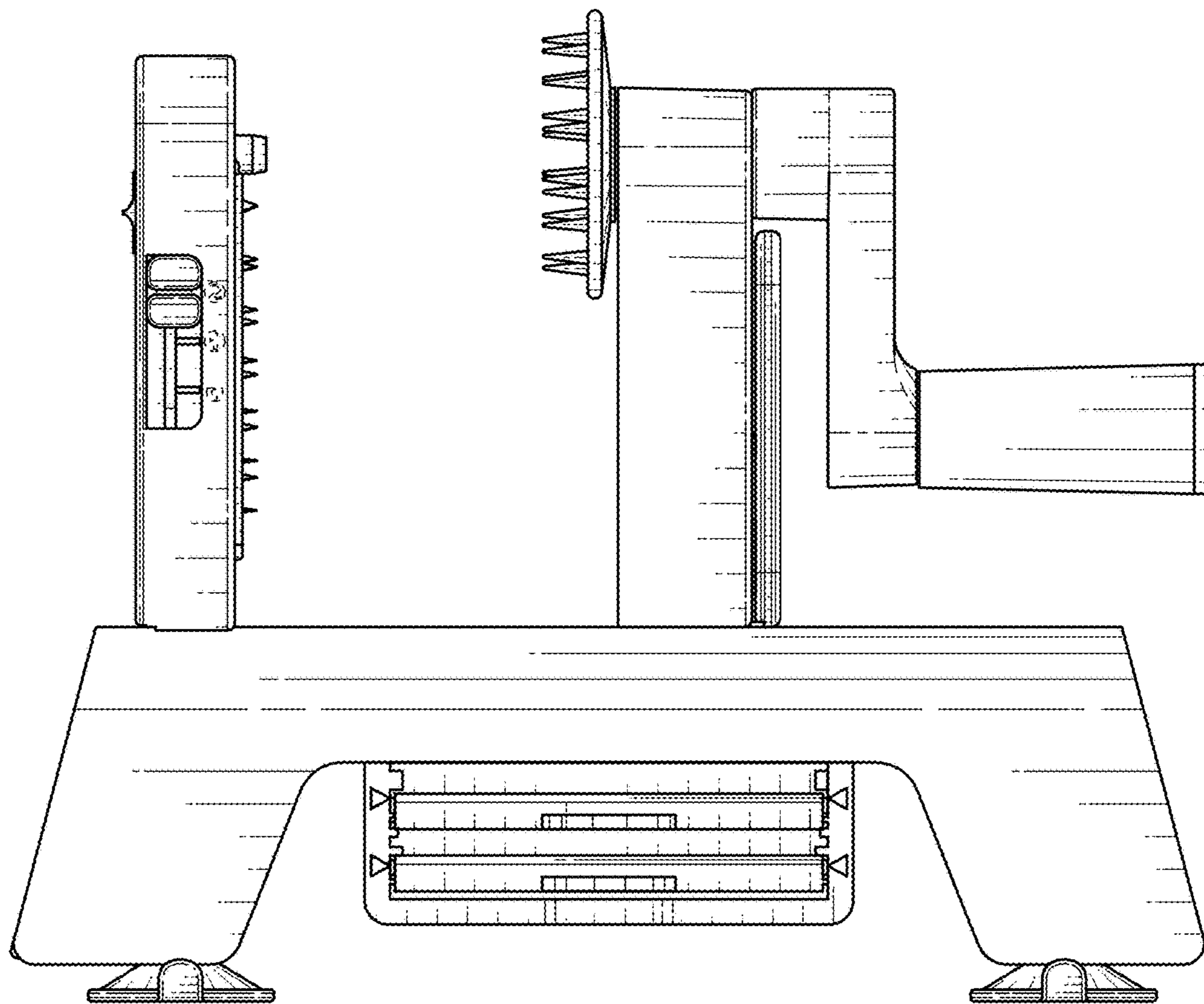


FIG. 2

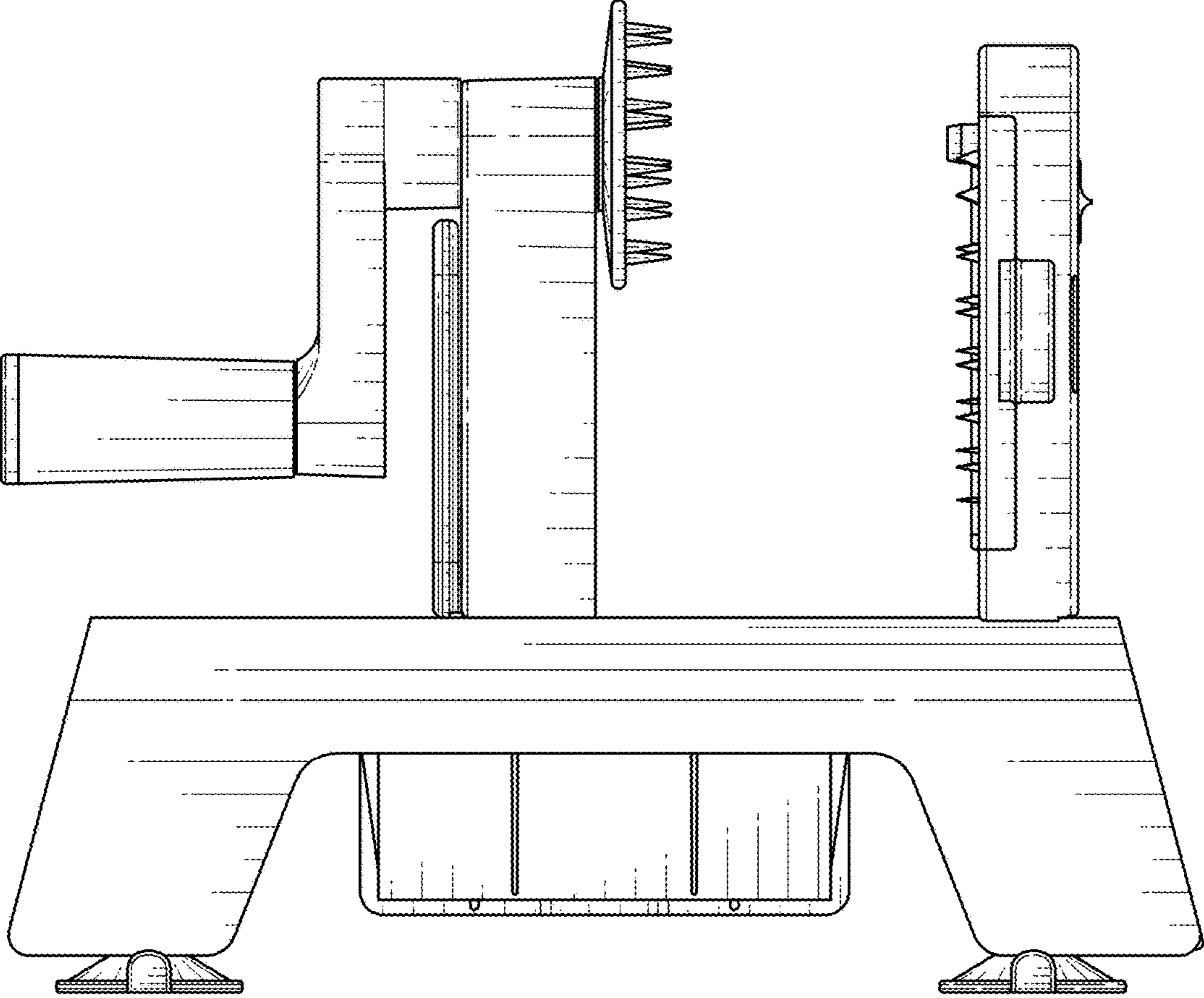


FIG. 3

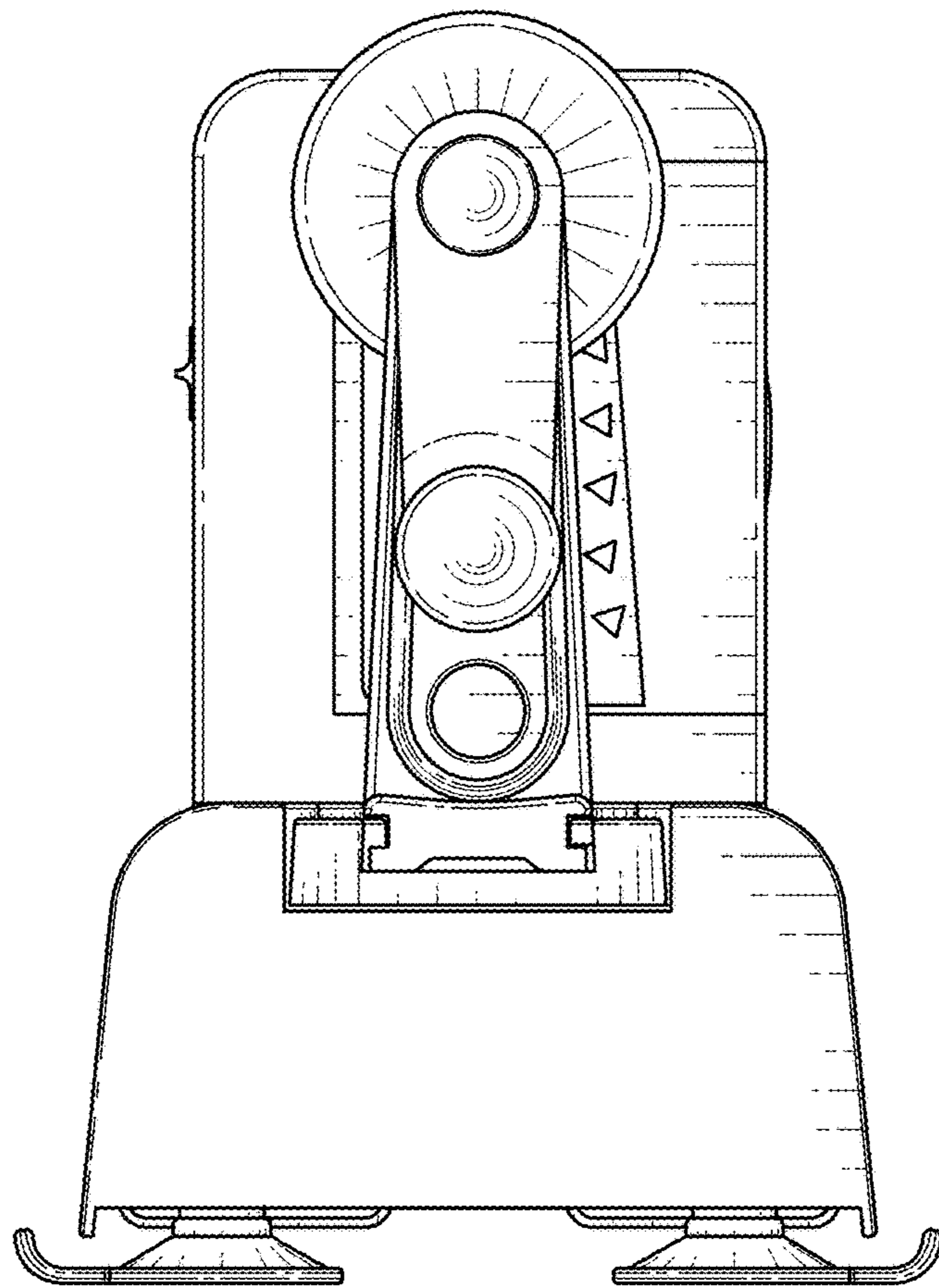


FIG. 4

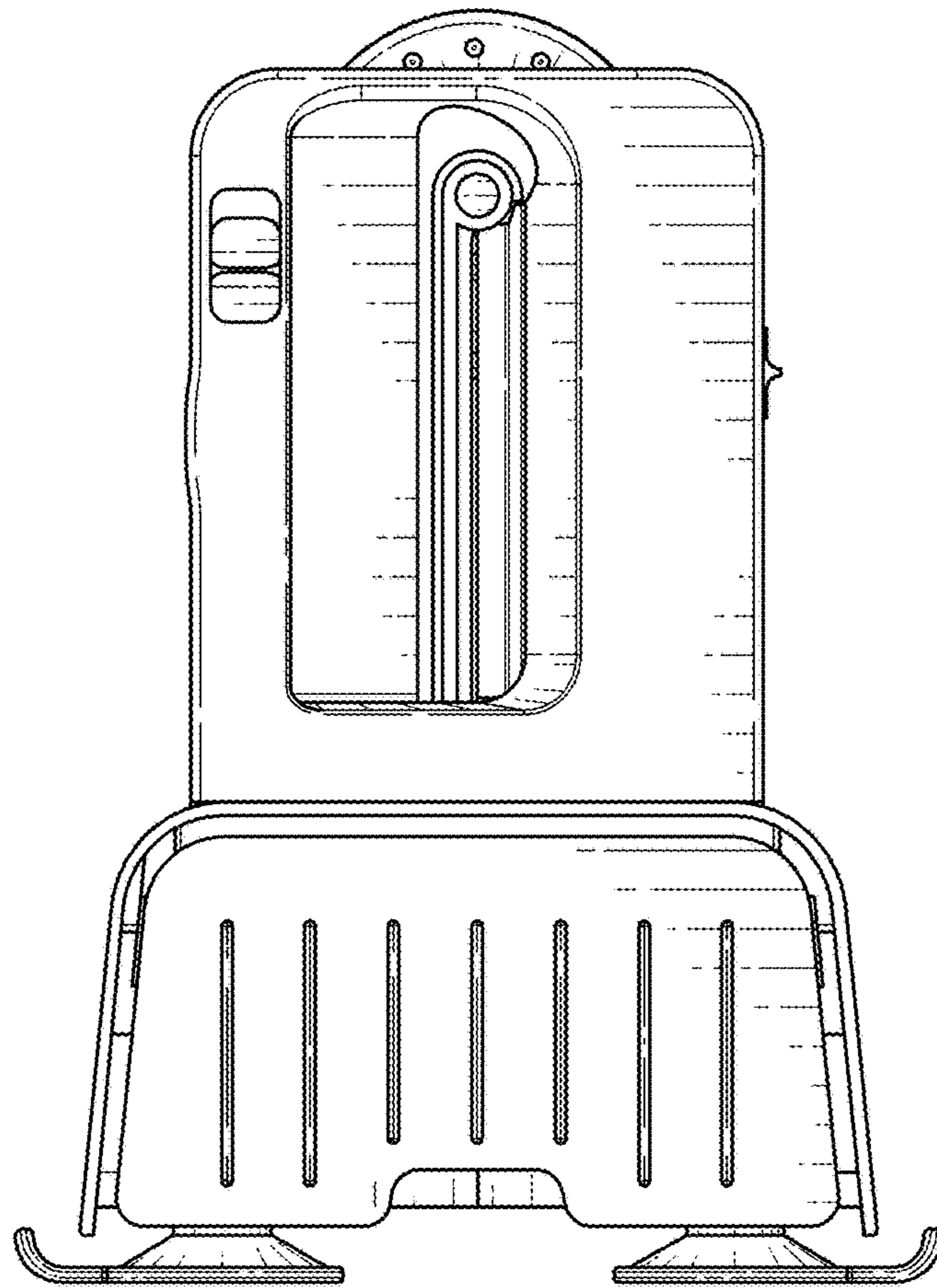


FIG. 5

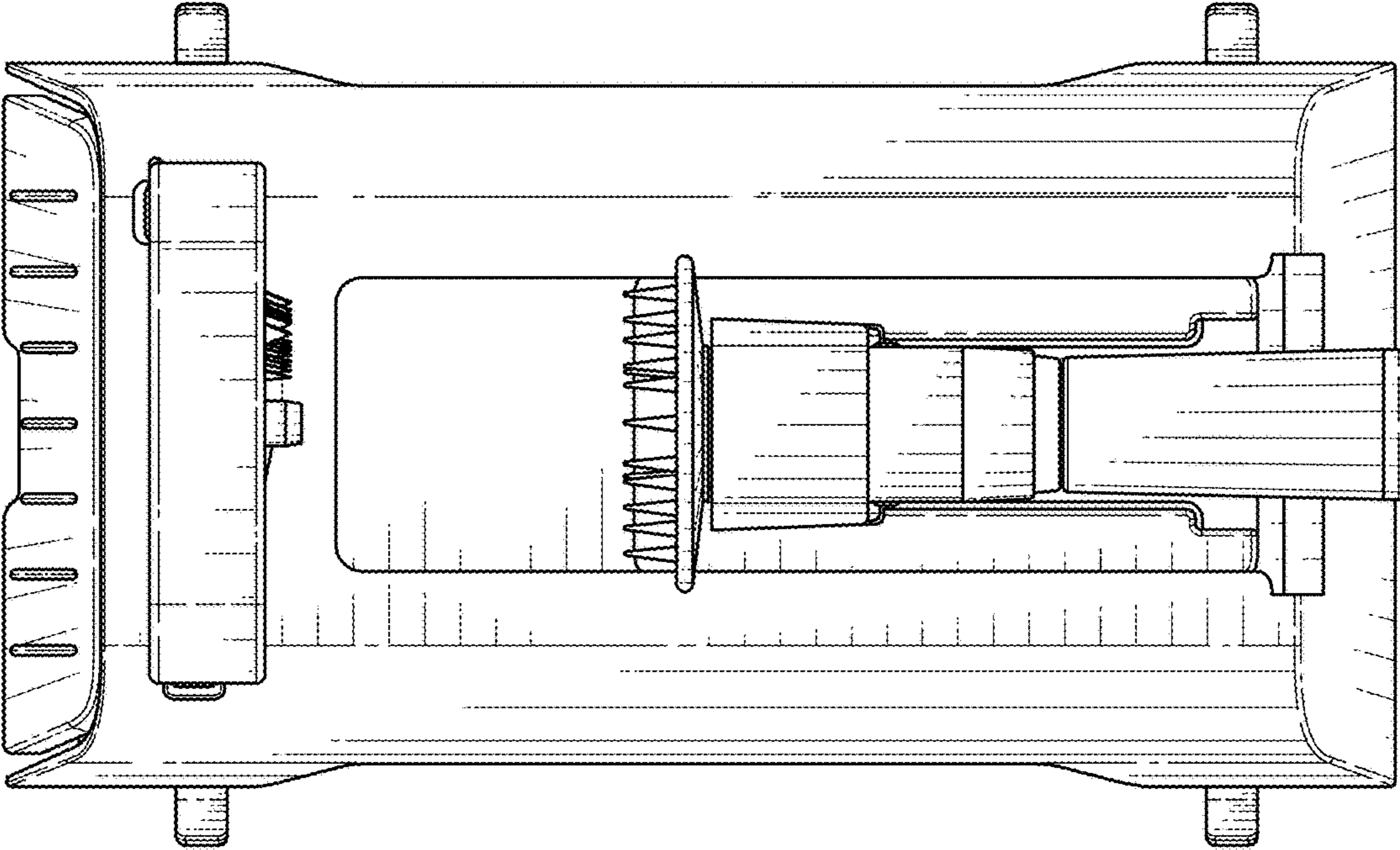


FIG. 6

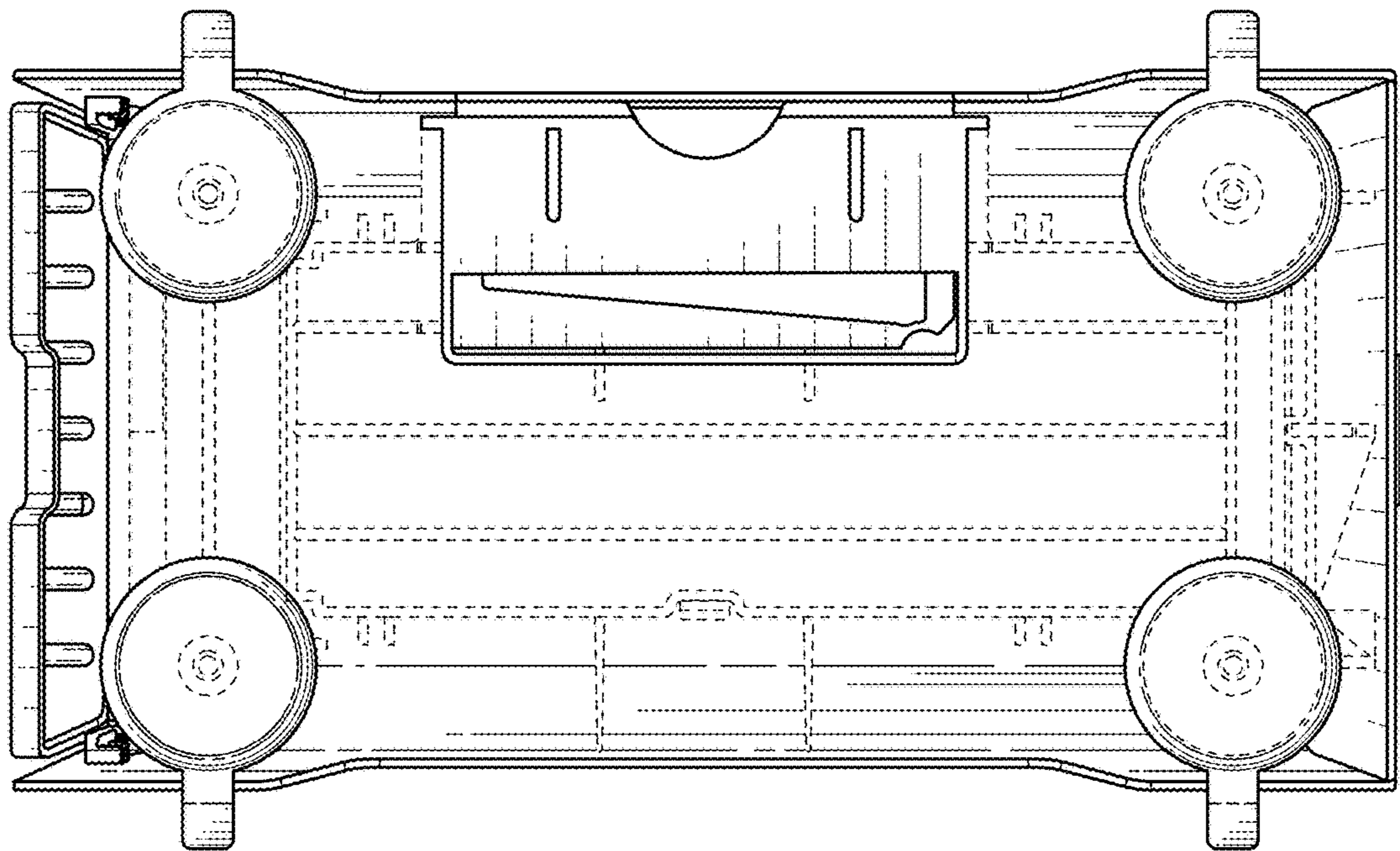


FIG. 7