



US00D858222S

(12) **United States Design Patent** (10) **Patent No.:** **US D858,222 S**
Stewart et al. (45) **Date of Patent:** **** Sep. 3, 2019**

(54) **BERRY SLICER AND CORER**
(71) Applicant: **Fusionbrands LLC**, West Chester, PA (US)
(72) Inventors: **Stephen Kraigh Stewart**, Pittsford, NY (US); **Sarah Rose Brand**, Atlanta, GA (US)
(73) Assignee: **Fusionbrands LLC**, West Chester, PA (US)

6,557,260 B1 * 5/2003 Morris A21C 15/04 30/114
D501,371 S * 2/2005 Lo D7/673
D550,521 S * 9/2007 Roberson D7/672
7,266,894 B1 * 9/2007 Hinckley B26D 1/0006 30/302
D648,989 S * 11/2011 Coursey D7/673
(Continued)

(**) Term: **15 Years**

(21) Appl. No.: **29/597,661**

(22) Filed: **Mar. 17, 2017**

(51) **LOC (12) Cl.** **07-06**

(52) **U.S. Cl.**
USPC **D7/693**

(58) **Field of Classification Search**
USPC D7/323-334, 336, 337, 339, 346-348, D7/354-357, 359, 368, 372, 376-381, D7/384, 386-388, 397, 402-415, D7/665-669, 672-677, 683-689, 694, D7/693, 695; 83/13, 30, 404.3, 431, 435, 83/435.15, 451, 569, 571.1, 581.1, 620, 83/662, 856, 857, 932; 30/114, 117, 302, 30/303, 312, 113.1, 113.2, 113.3, 130; 99/544
CPC .. A47J 25/00; B26D 7/18; B26D 1/30; B26D 3/24; B26D 3/245; B26D 3/26; B26D 9/00; B26D 2210/02
See application file for complete search history.

(56) **References Cited**

U.S. PATENT DOCUMENTS

1,744,422 A * 1/1930 Taylor A47J 25/00 30/302
D114,471 S * 4/1939 Rosenbeg D7/412
2,206,316 A * 7/1940 Bartholomew A21C 5/08 30/302
D473,109 S * 4/2003 Birchansky D7/673

OTHER PUBLICATIONS

Available May 7, 2018, [online], [site visited May 7, 2018]. Available from Internet, URL: https://www.cookshopplus.com/1976-17401/vegetable/chefs-tools_vegetable/pushberry-one-step-strawberry-huller.aspx (Year: 2018).*

(Continued)

Primary Examiner — Cathron C Brooks
Assistant Examiner — Katrina N Gonzalez
(74) *Attorney, Agent, or Firm* — Mintz, Levin, Cohn, Ferris, Glovsky and Popeo, P.C.

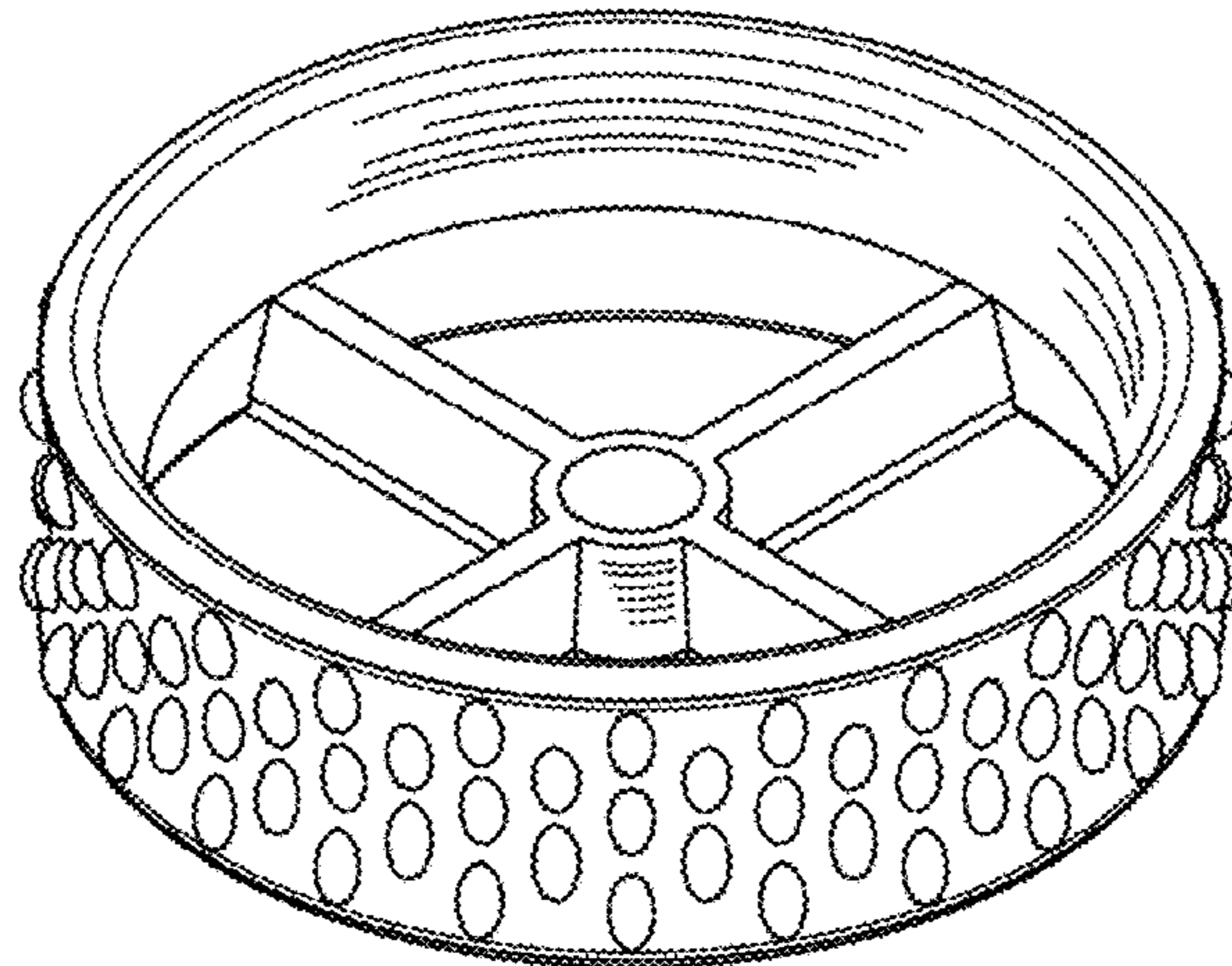
(57) **CLAIM**

The ornamental design for a berry slicer and corer, as shown and described.

DESCRIPTION

FIG. 1 is a top perspective view of the first embodiment of a berry slicer and corer, showing our new design. FIG. 2 is a bottom perspective view thereof; FIG. 3 is a top plan view thereof; FIG. 4 is a bottom plan view thereof; FIG. 5 is a side elevation view thereof. FIG. 6 is a top perspective view of a second embodiment of the berry slicer and corer, showing our new design. FIG. 7 is a bottom perspective view thereof; FIG. 8 is a top plan view thereof; FIG. 9 is a bottom plan view thereof; and, FIG. 10 is a side elevation view thereof.

1 Claim, 10 Drawing Sheets



(56)

References Cited

U.S. PATENT DOCUMENTS

D650,247	S *	12/2011	Harris	D7/673
D716,109	S *	10/2014	De Luca	D7/672
D718,096	S *	11/2014	Smith	D7/673
D732,356	S *	6/2015	Chen	D7/673
D776,496	S *	1/2017	Mirchandani	D7/672
D782,885	S *	4/2017	Harris	D7/673
D795,659	S *	8/2017	Chapman	D7/673
D814,250	S *	4/2018	Lonergan	D7/677
2004/0149843	A1 *	8/2004	Tang	A47J 43/044 241/272
2006/0254058	A1 *	11/2006	Chang	B26D 3/26 30/114
2007/0134386	A1 *	6/2007	Michael	B26D 3/26 426/518
2009/0241344	A1 *	10/2009	Mastroianni	A47J 25/00 30/114
2009/0249965	A1 *	10/2009	Hauser	A47J 25/00 99/552
2012/0308701	A1 *	12/2012	Campbell	A21B 3/135 426/503
2013/0025130	A1 *	1/2013	Bagley	B26D 1/547 30/114
2016/0106140	A1 *	4/2016	O'Halloran	A23N 4/24 83/13
2016/0375599	A1 *	12/2016	Garcia	B26D 3/245 30/302

OTHER PUBLICATIONS

Available Jul. 14, 2017, [online], [site visited May 7, 2018].
 Available from Internet, URL:<https://www.amazon.com/Fusionbrands-PushBerry-Kid-Friendly-Strawberry-Removal/dp/B073XV1PPK> (Year: 2017).*

* cited by examiner

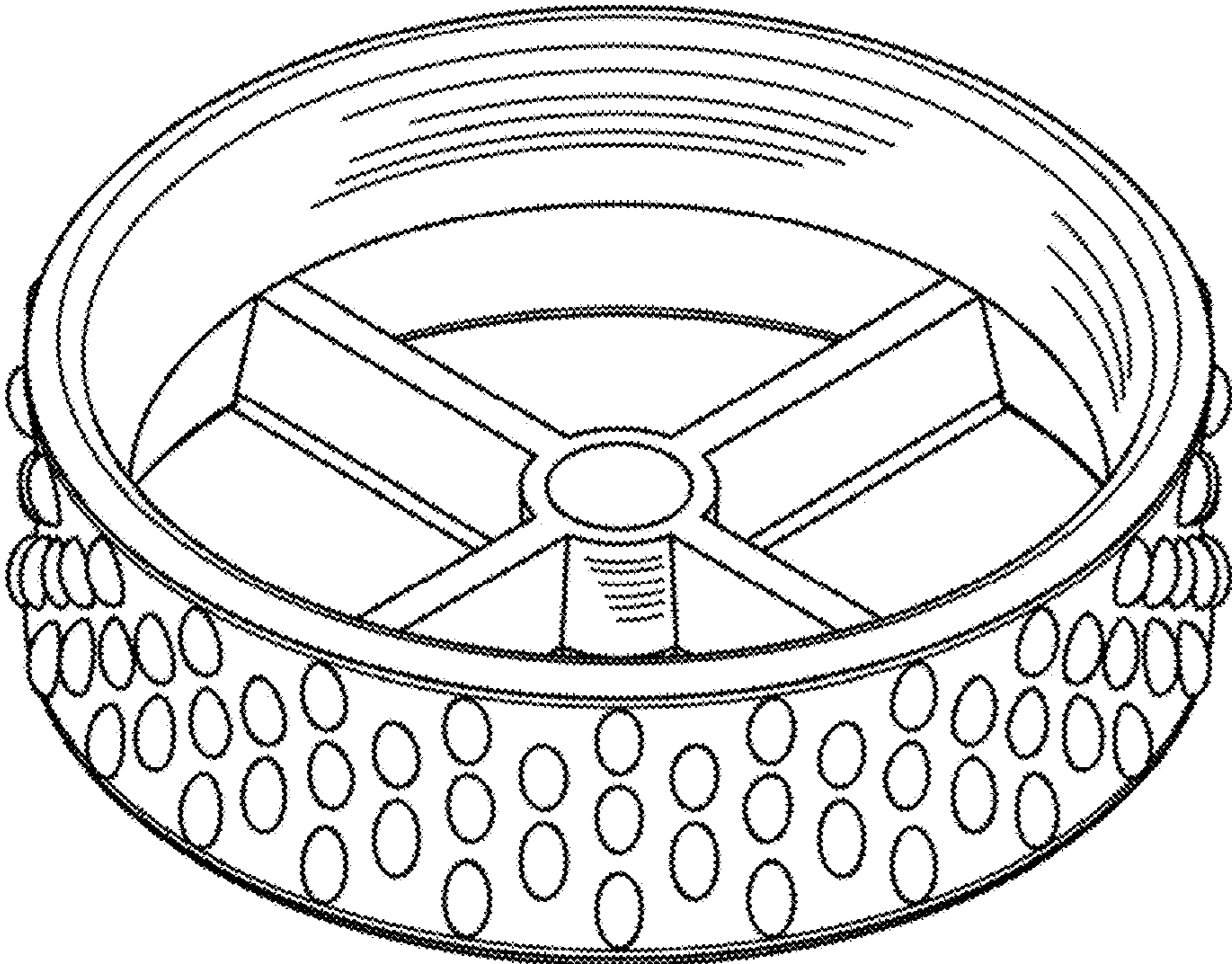


Fig. 1

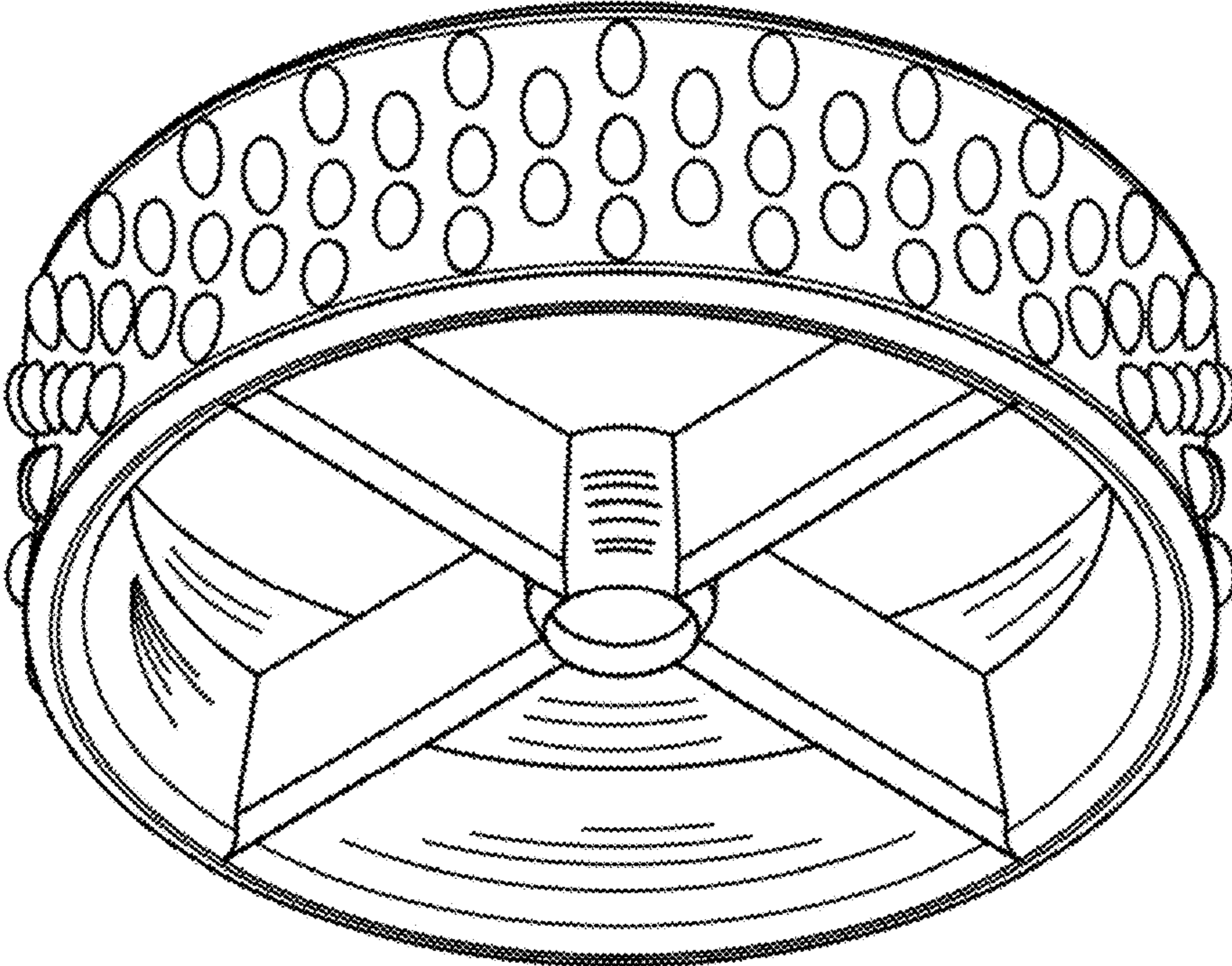


Fig. 2

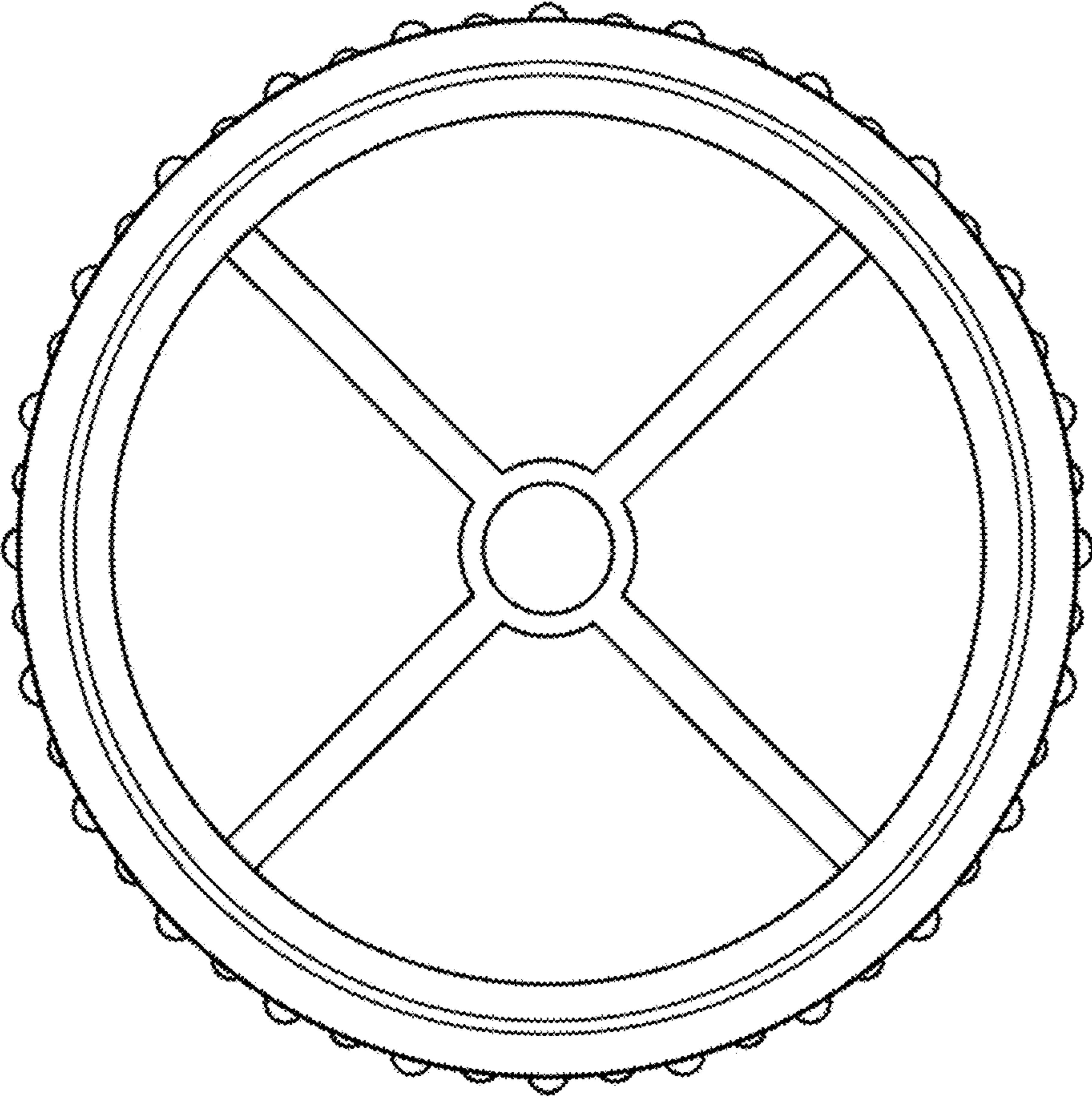


Fig. 3

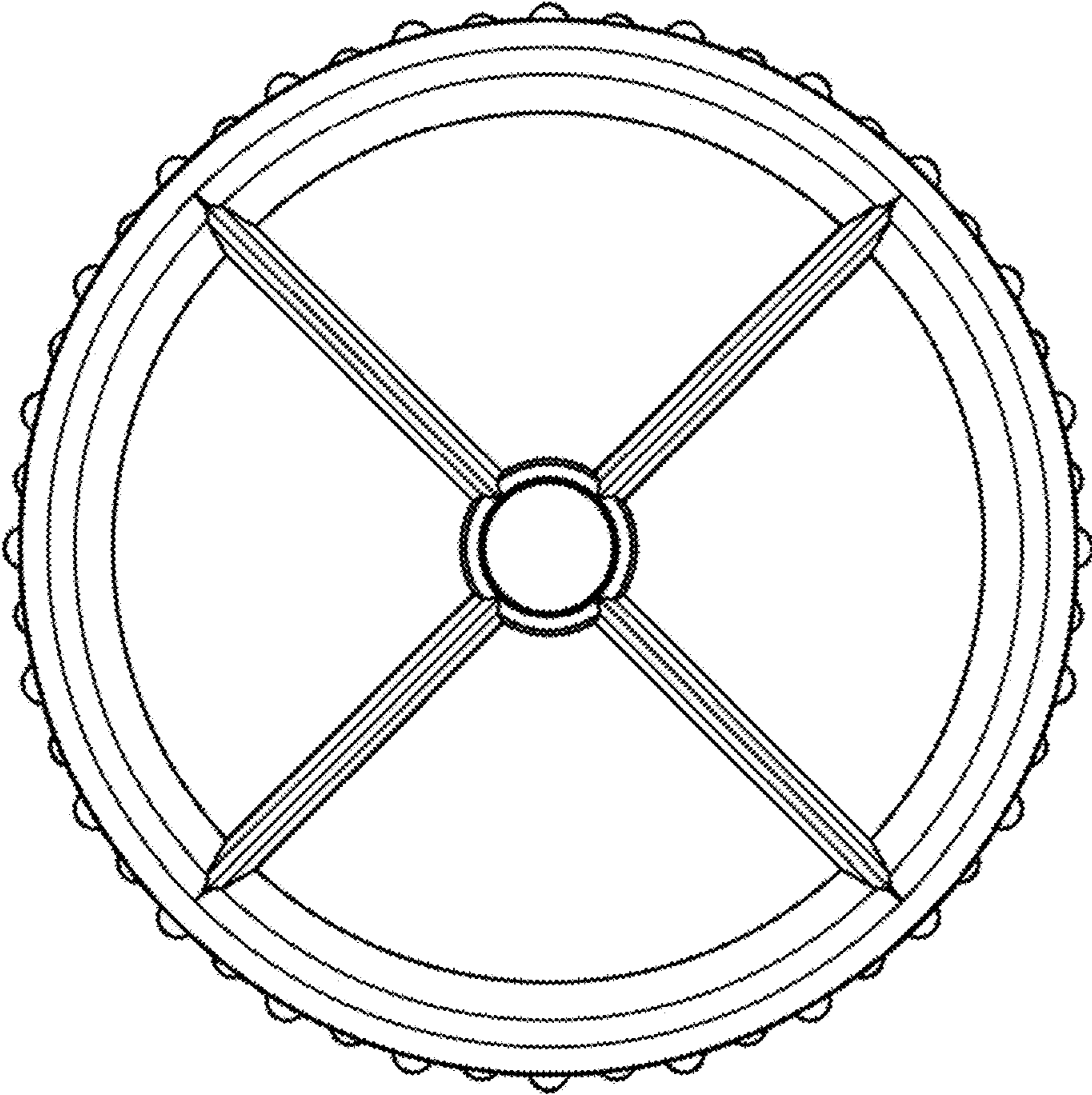


Fig. 4

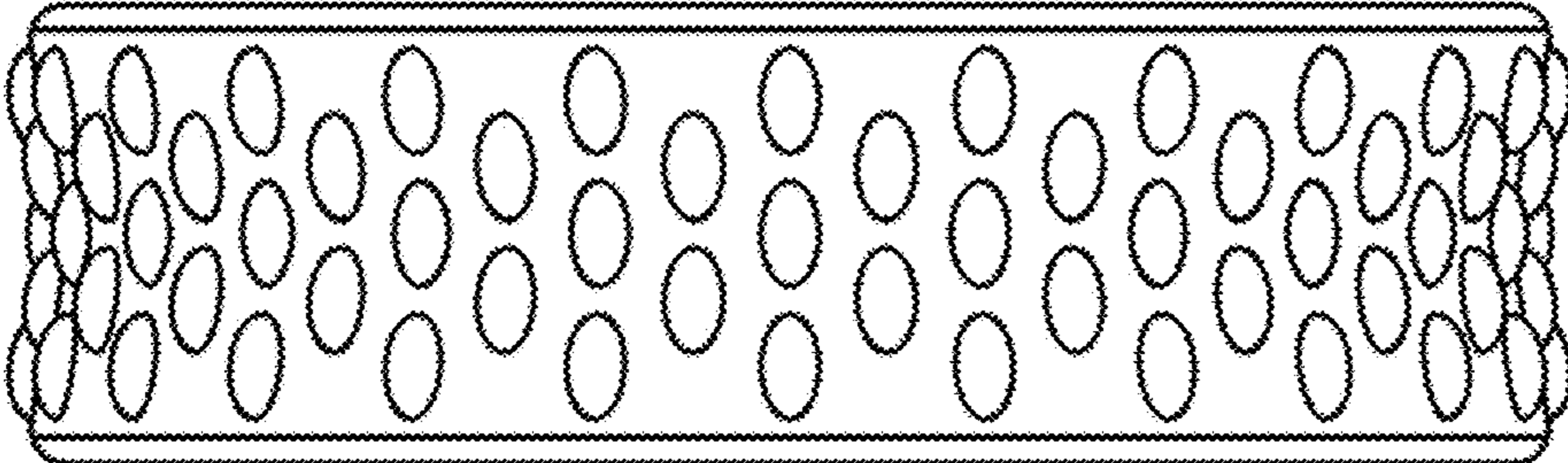


Fig. 5

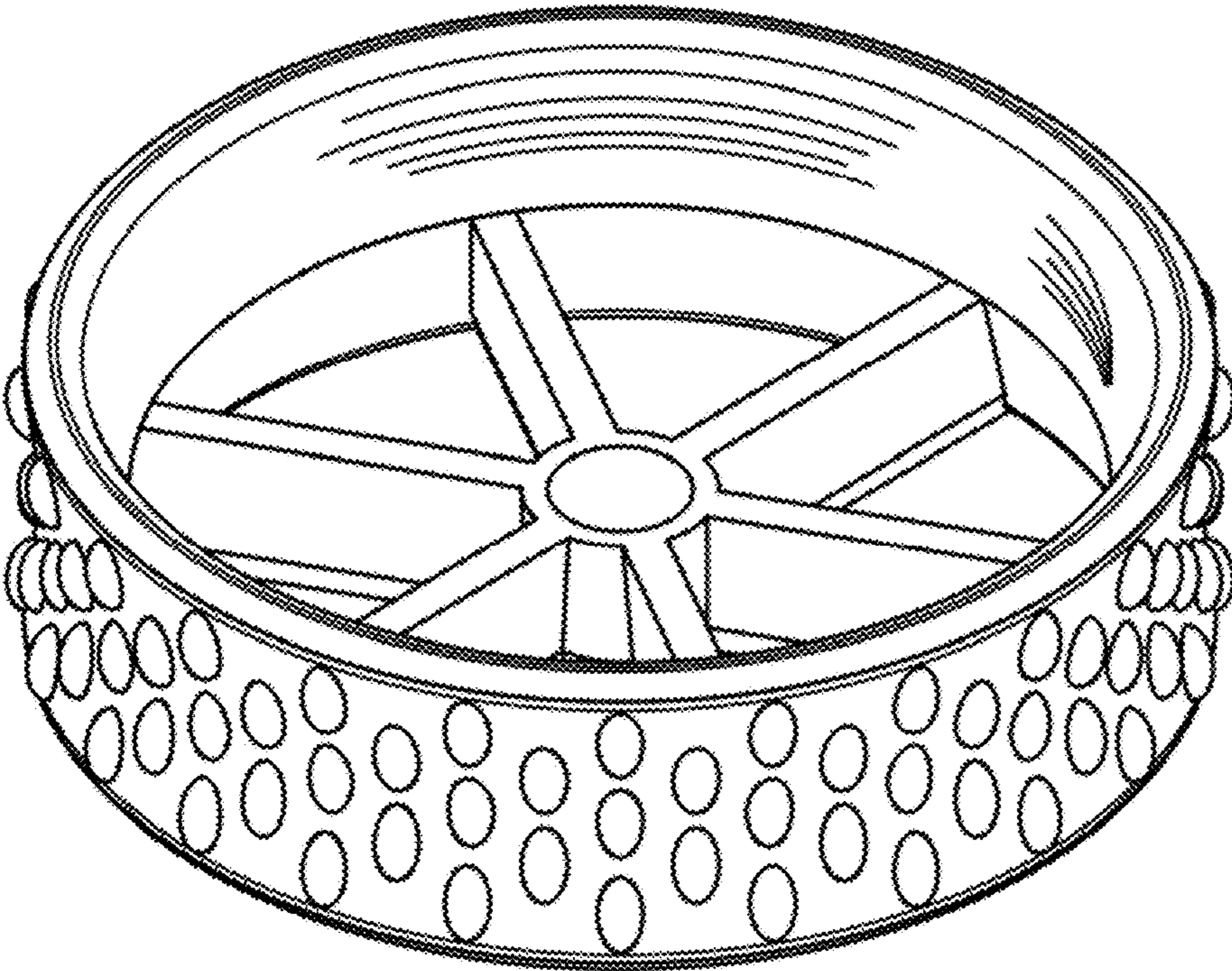


Fig. 6

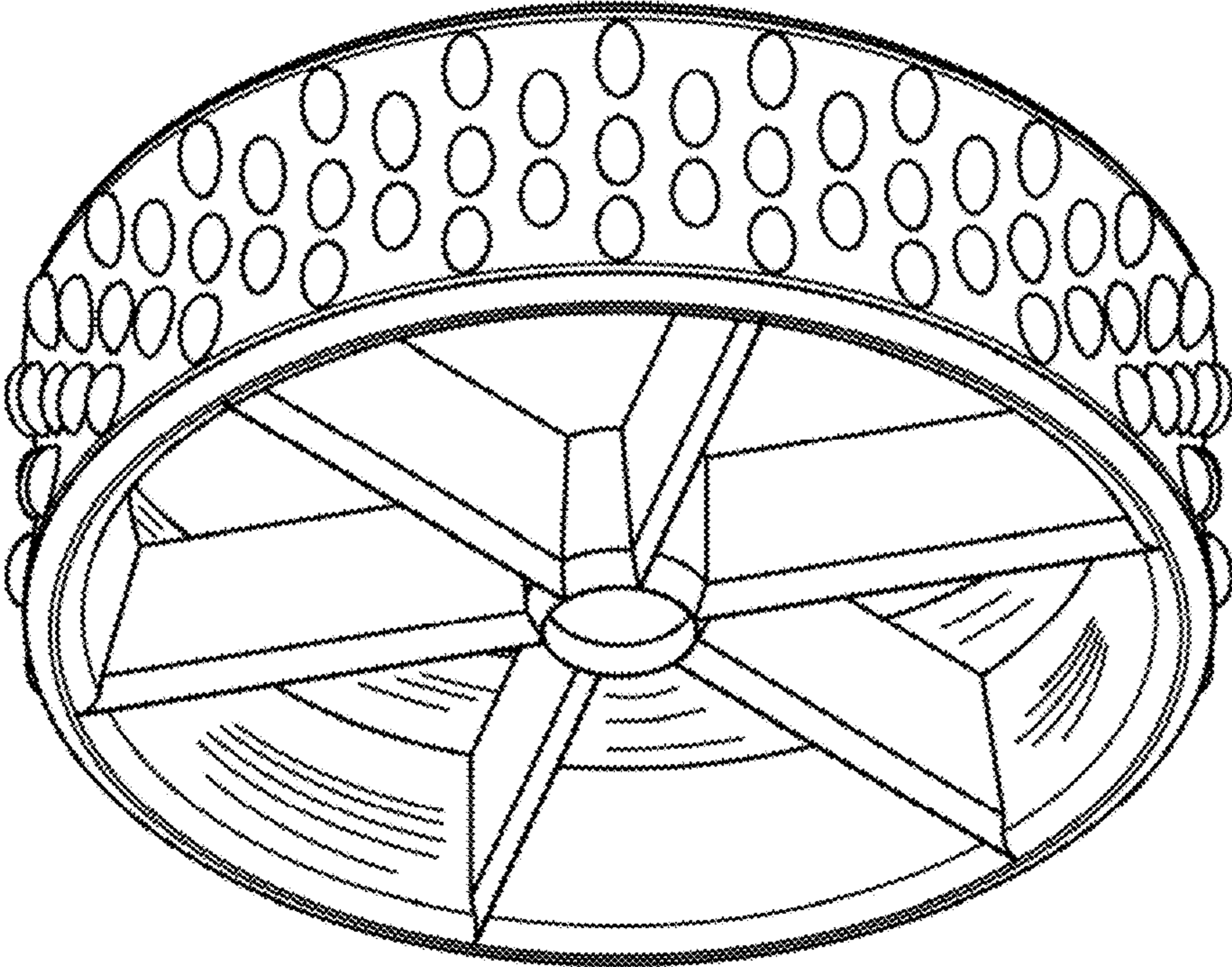


Fig. 7

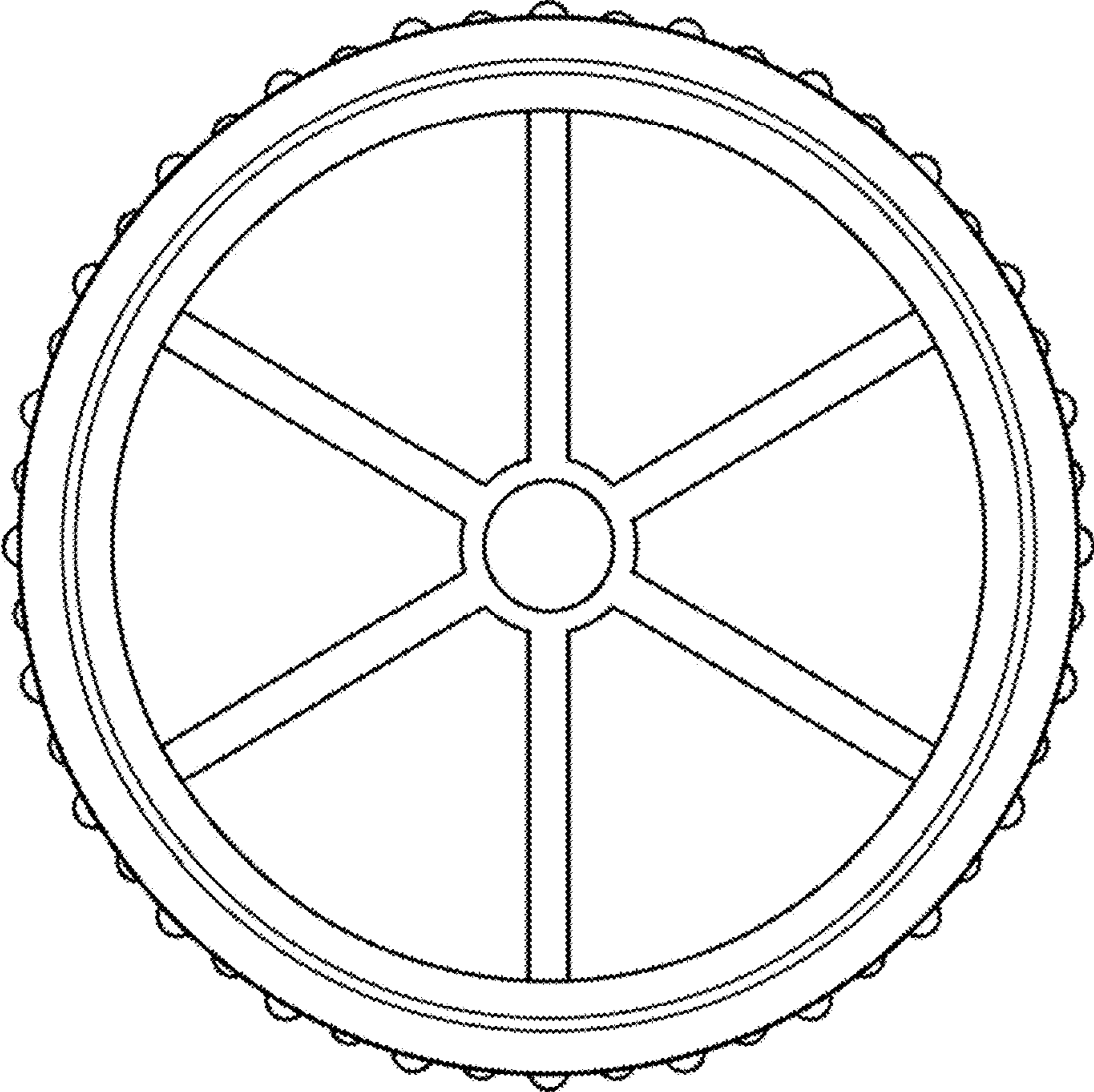


Fig. 8

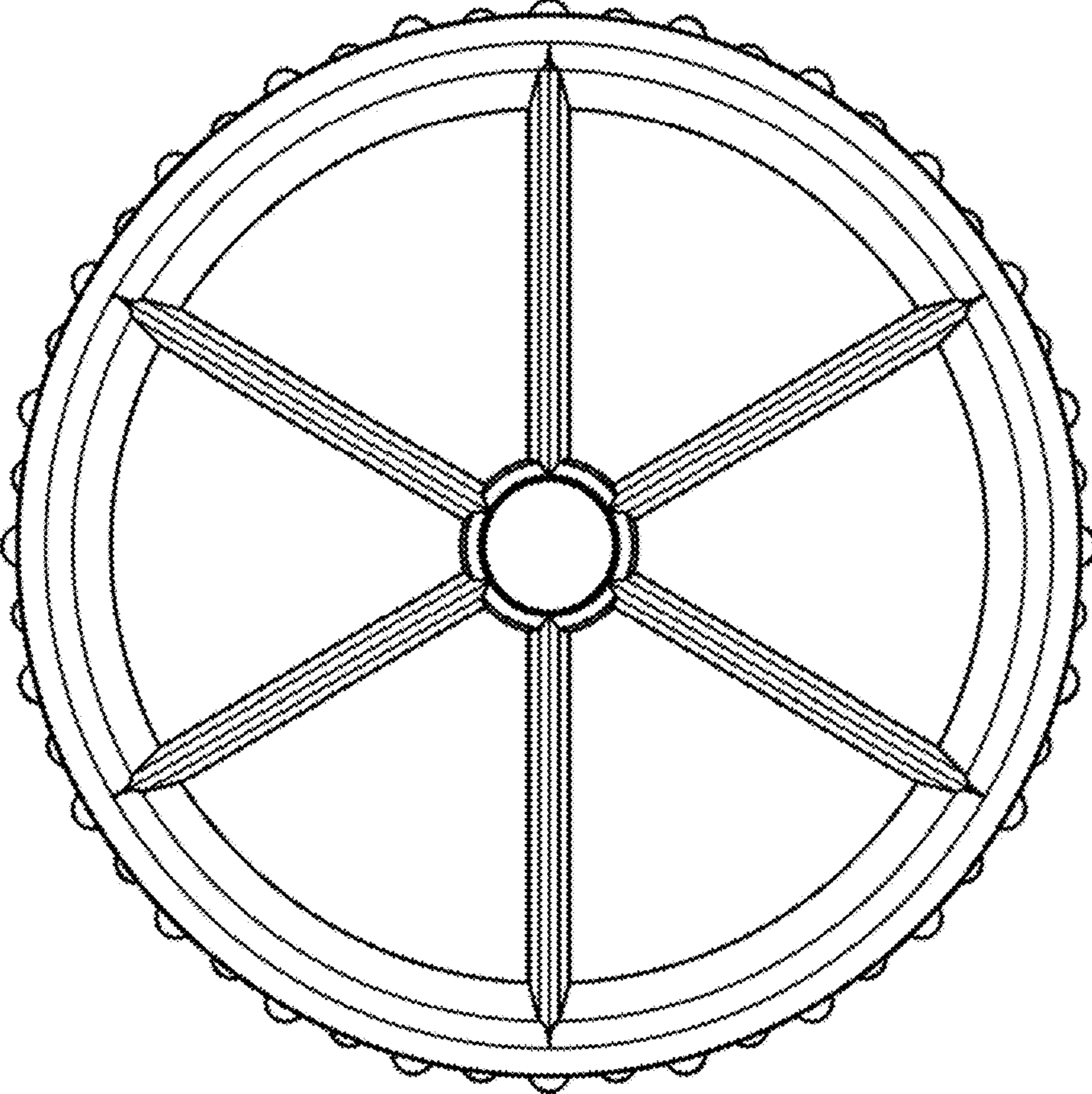


Fig. 9

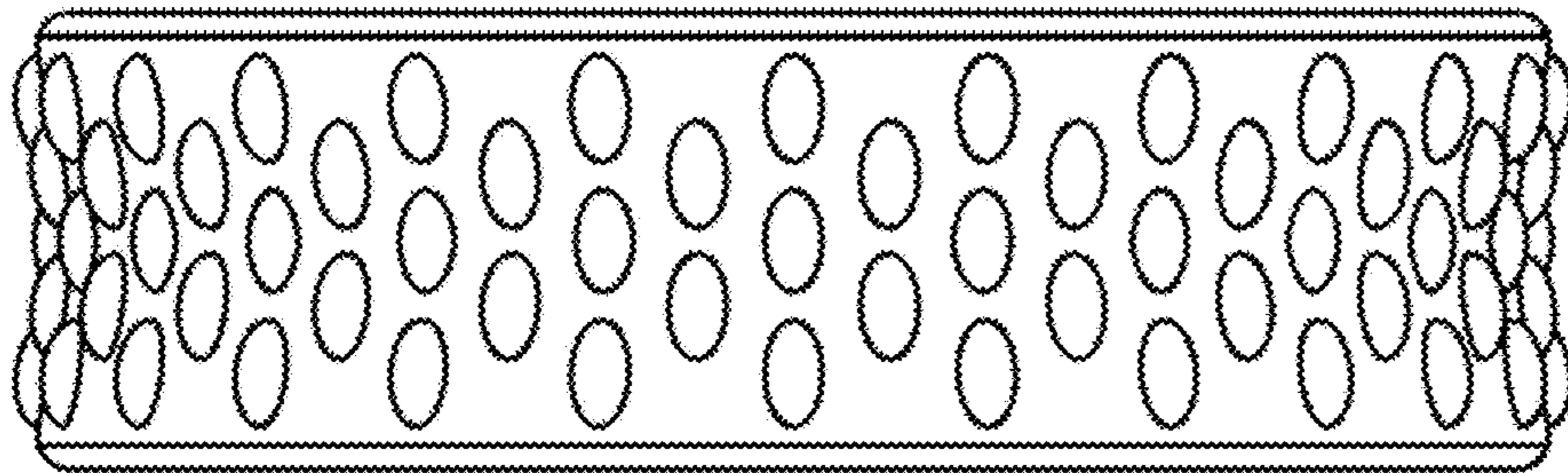


Fig. 10