



US00D858221S

(12) **United States Design Patent** (10) **Patent No.:** **US D858,221 S**
Abrams (45) **Date of Patent:** **** Sep. 3, 2019**

(54) **KITCHEN TOOL**

(71) Applicant: **Jeff Abrams**, Three Oaks, MI (US)

(72) Inventor: **Jeff Abrams**, Three Oaks, MI (US)

(73) Assignee: **Jeff Abrams**, Three Oaks, MI (US)

(**) Term: **15 Years**

(21) Appl. No.: **29/657,078**

(22) Filed: **Jul. 19, 2018**

Related U.S. Application Data

(60) Division of application No. 29/595,241, filed on Feb. 27, 2017, now Pat. No. Des. 825,287, which is a continuation-in-part of application No. 14/545,693, filed on Jun. 8, 2015, now abandoned.

(51) **LOC (12) Cl.** **07-04**

(52) **U.S. Cl.**
USPC **D7/688**

(58) **Field of Classification Search**
USPC D7/680-696, 393, 395, 368, 669
CPC A47G 21/045; A47G 19/265; A21B 3/003;
A47J 43/283; A47J 43/288; A47J 45/10
See application file for complete search history.

(56) **References Cited**

U.S. PATENT DOCUMENTS

2,563,255 A * 8/1951 Loomis A47J 43/283
528/502 F
2,641,496 A * 6/1953 Benezet A21C 9/00
294/173

6,012,750 A * 1/2000 Swartz A47J 43/288
294/7
2002/0109362 A1 * 8/2002 Long A47J 43/28
294/219
2005/0116483 A1 * 6/2005 Lang A47G 19/265
294/7
2005/0173936 A1 * 8/2005 Lewis A47J 43/288
294/7
2009/0123624 A1 * 5/2009 Missakian A47J 43/283
426/523

* cited by examiner

Primary Examiner — Terry A Wallace

(74) *Attorney, Agent, or Firm* — Hartman Global IP Law;
Gary M. Hartman; Domenica N. S. Hartman

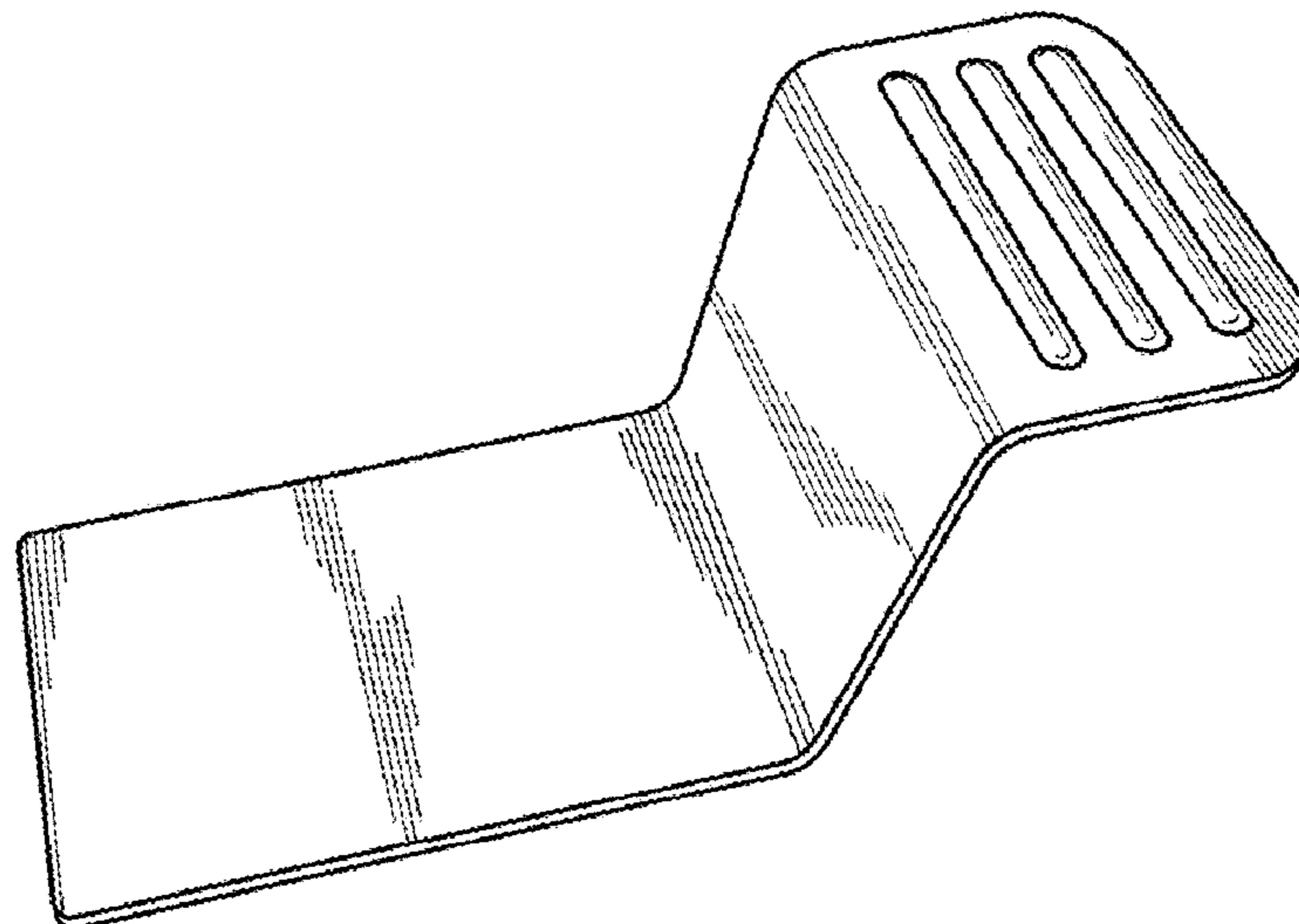
(57) **CLAIM**

The ornamental design for a kitchen tool, as shown and described.

DESCRIPTION

FIG. 1 is a side perspective view of a square-shaped kitchen tool in accordance with this invention.
 FIG. 2 is a top view of the kitchen tool of FIG. 1.
 FIG. 3 is a bottom view of the kitchen tool of FIG. 1.
 FIG. 4 is left side view of the kitchen tool of FIG. 1, wherein the right side view of the kitchen tool is a mirror image of FIG. 4 and therefore not shown.
 FIG. 5 is a front view of the kitchen tool of FIG. 1; and,
 FIG. 6 is a rear view of the kitchen tool of FIG. 1.

1 Claim, 3 Drawing Sheets



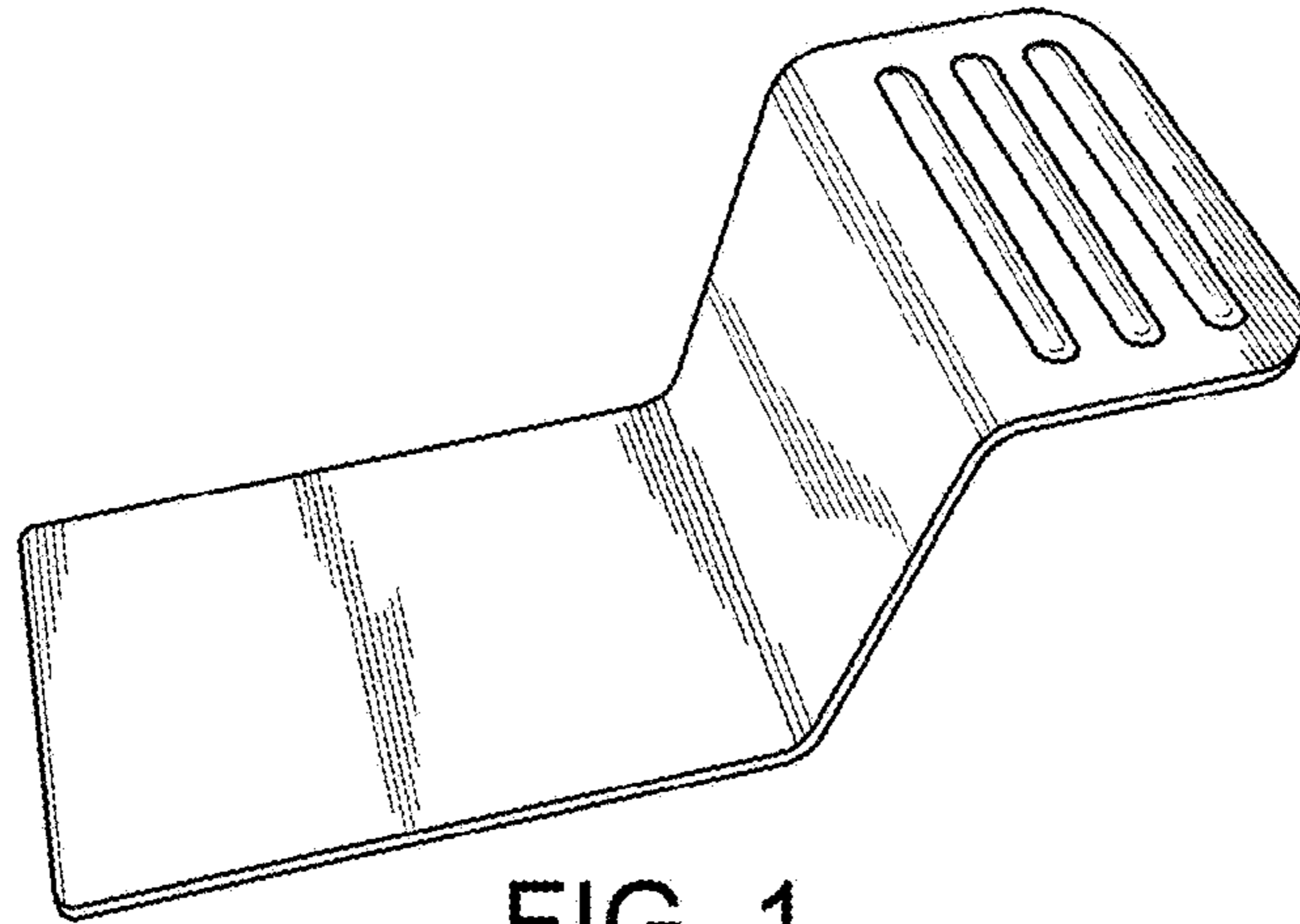


FIG. 1

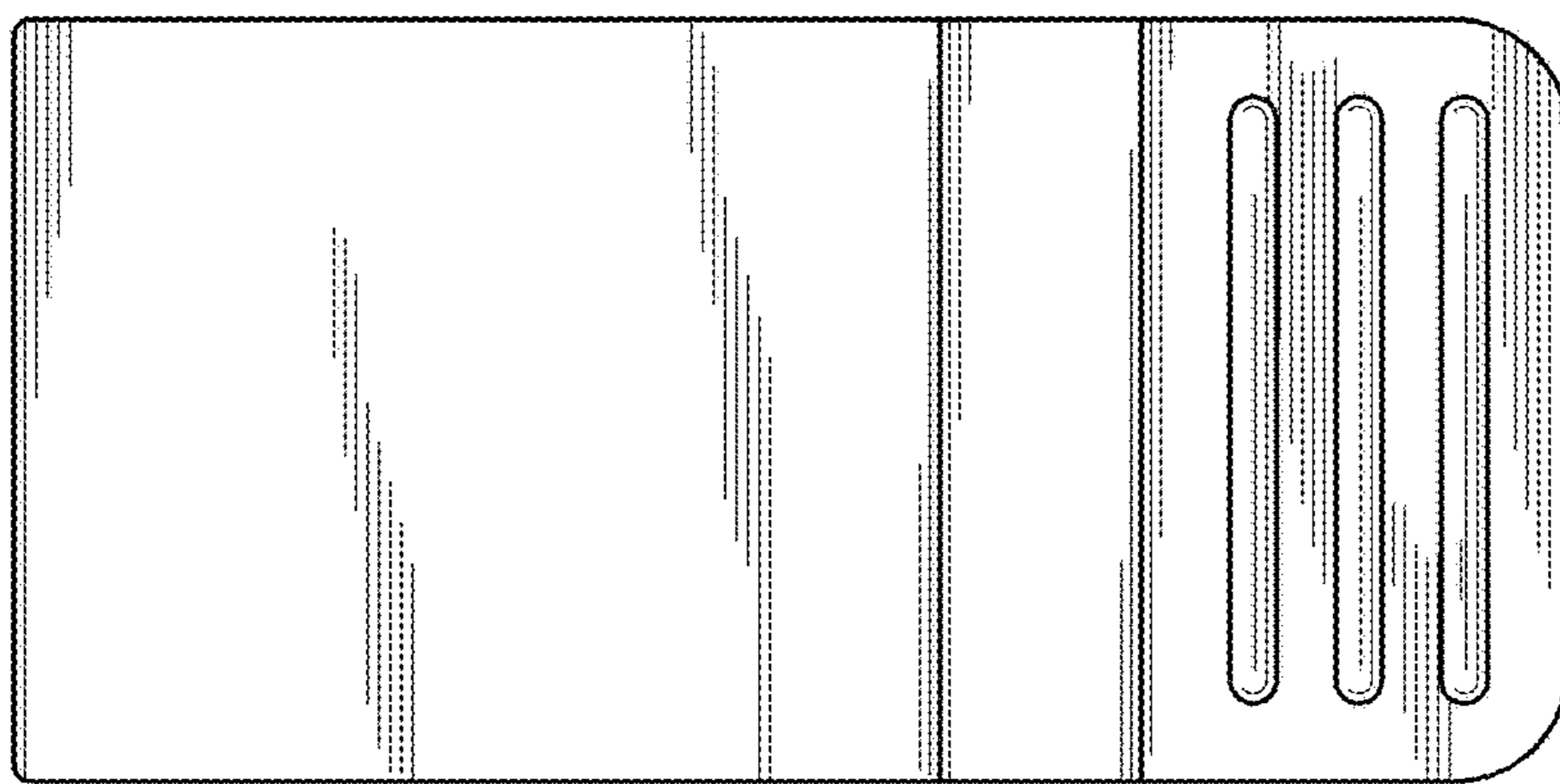


FIG. 2

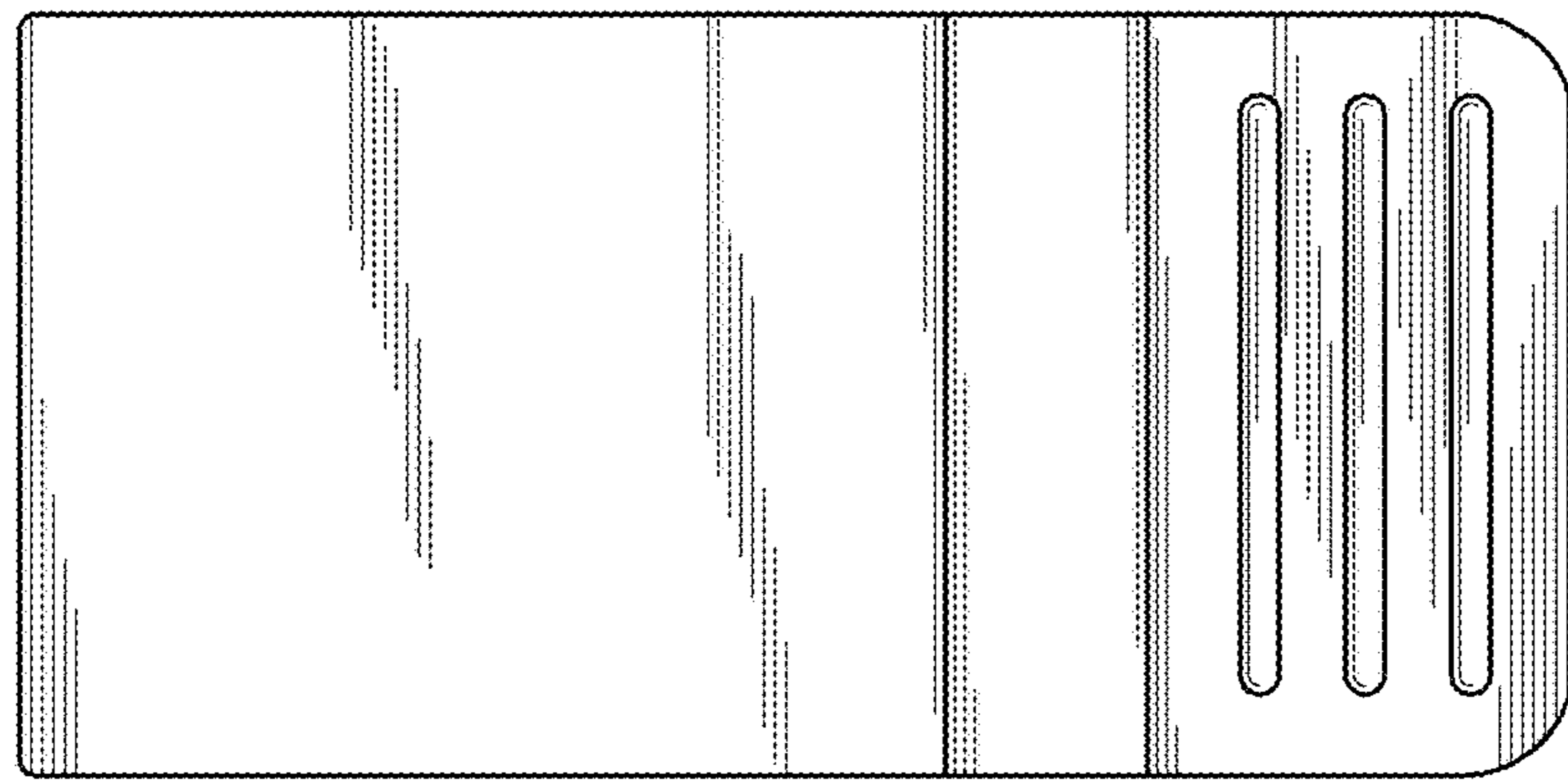


FIG. 3

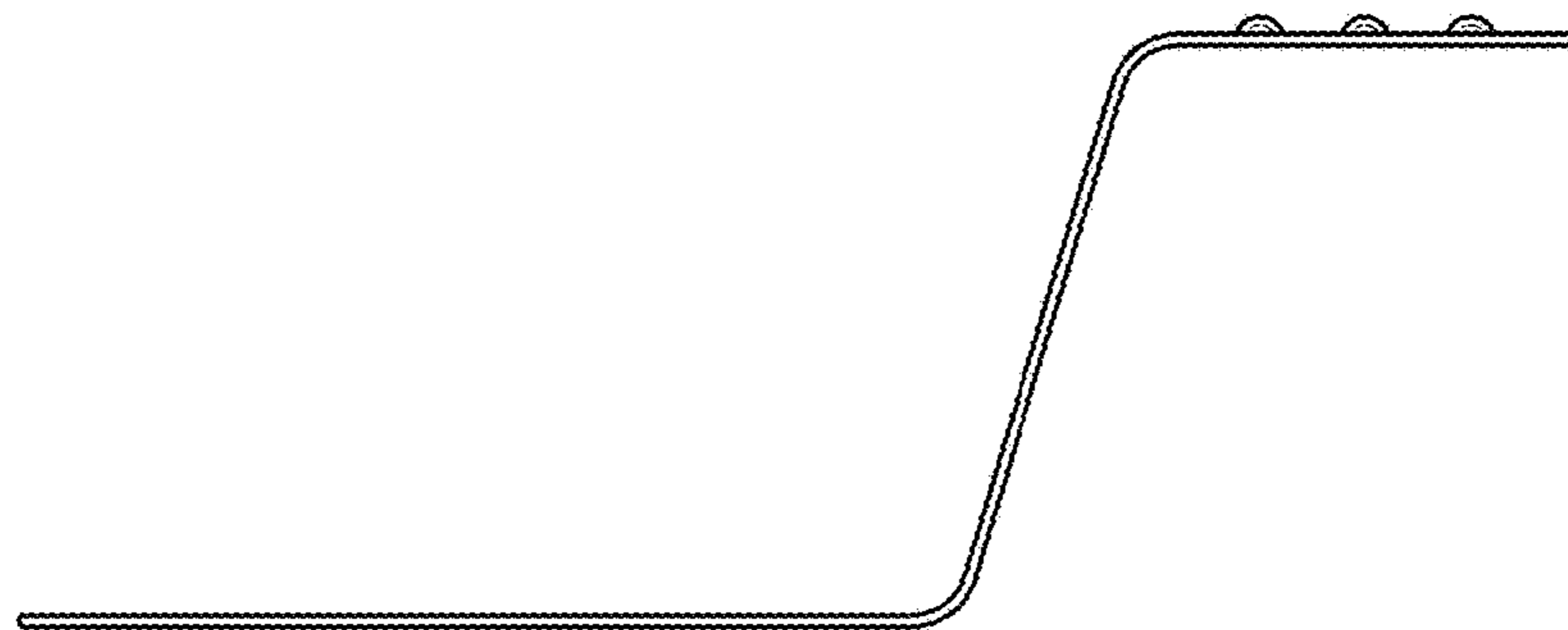


FIG. 4

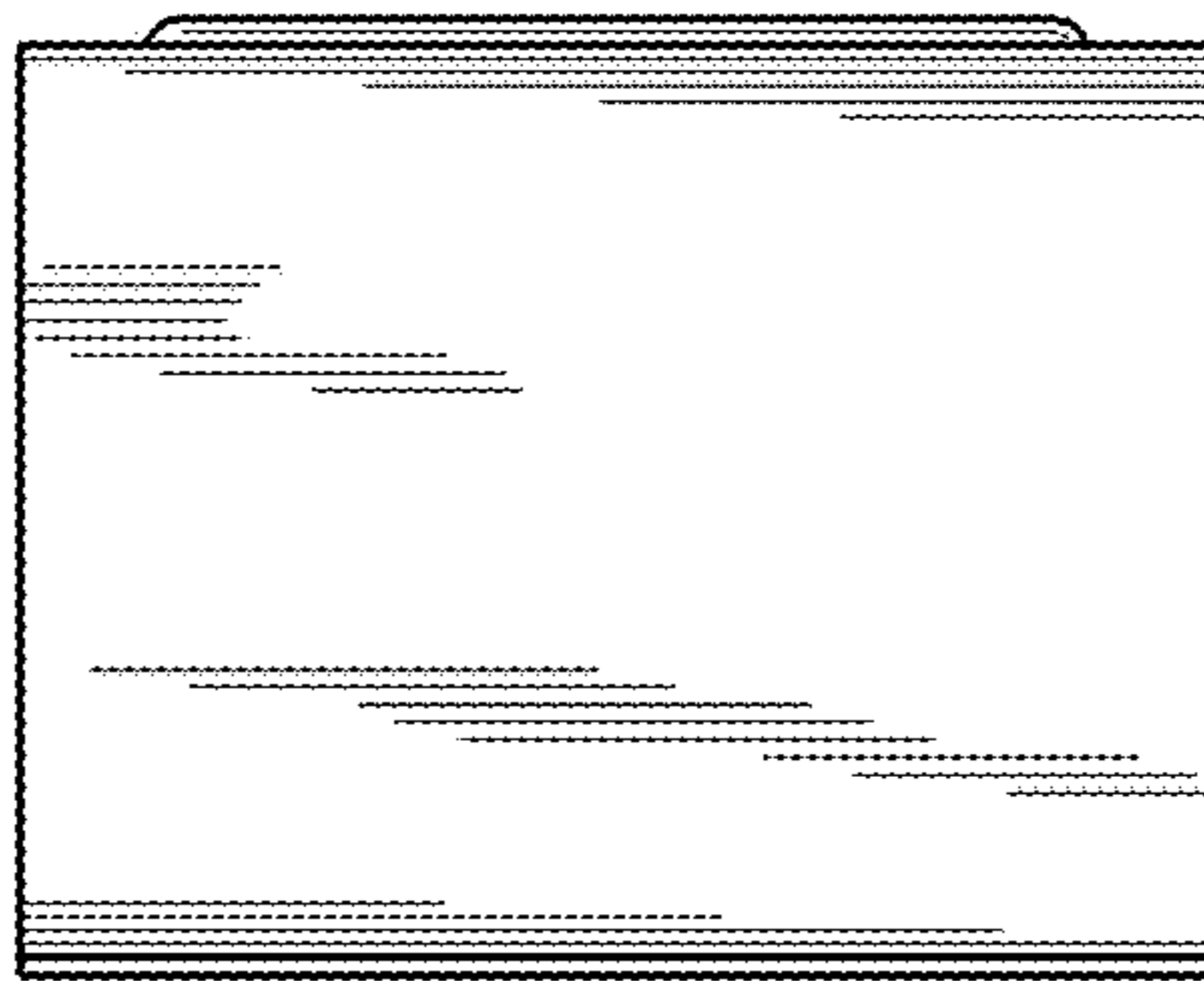


FIG. 5

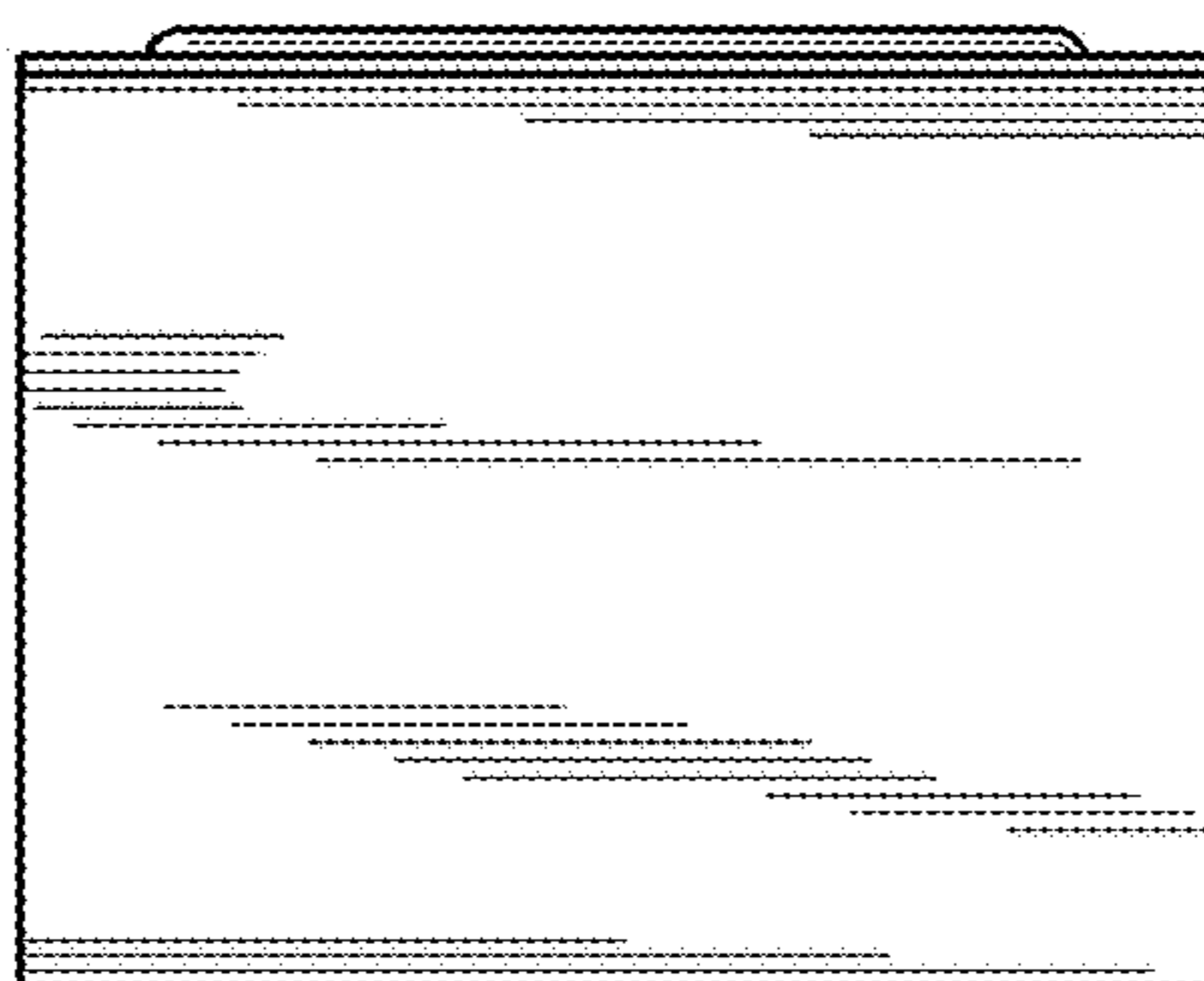


FIG. 6