



US00D858217S

(12) **United States Design Patent** (10) **Patent No.:** **US D858,217 S**
Byeon (45) **Date of Patent:** **** Sep. 3, 2019**

(54) **MANDOLINE**

OTHER PUBLICATIONS

(71) Applicant: **Dart Industries Inc.**, Orlando, FL (US)

Shimomura Ind. Co., Ltd., "Giving a nice present . . . Gift selection," p. 6, product No. VS-301, received by the JPO on Jun. 21, 1995, Japan Patent Office's reference No. HC07019010.

(72) Inventor: **Dongjin Byeon**, Aalst (BE)

Shimomura Kogyo Kihan Co., Ltd., "Allie Kitchenware Series," p. 1, product No. A-1011, received by the JPO on Nov. 30, 1995, Japan Patent Office's reference No. HC07036304.

(73) Assignee: **Dart Industries Inc.**, Orlando, FL (US)

Shimomura Sangyo Co., Ltd., "Original Catalogue vol. 19," p. 1, product No. KZ-602, Jun. 10, 2015, Japan Patent Office's reference No. HC27003061.

(**) Term: **15 Years**

Magician Industrial Group, "Hongkong-Shenzhen/China," p. 5, product No. 9136; received by the JPO on Dec. 22, 1995, Japan Patent Office's reference No. HD07014255.

(21) Appl. No.: **29/611,735**

Tupperware Mandoline; Tupperware.com; Mar. 16, 2014.

(22) Filed: **Jul. 25, 2017**

U.S. Appl. No. 29/592,763, filed Feb. 2, 2017, Cabrita.

(51) **LOC (12) Cl.** **07-04**

(52) **U.S. Cl.**

USPC **D7/673**

(58) **Field of Classification Search**

USPC D7/672-678, 693-381

CPC . A47J 17/02; A47J 43/25; A47J 25/00; B26D

3/283; B26D 7/2628; B26D

2003/285-288; A21C 11/106

See application file for complete search history.

* cited by examiner

Primary Examiner — Brett Miller

(74) *Attorney, Agent, or Firm* — Taylor J. Ross

(57) **CLAIM**

The ornamental design for a mandoline, as shown and described.

(56) **References Cited**

DESCRIPTION

U.S. PATENT DOCUMENTS

FIG. 1 is a top, right and front perspective view of a mandoline showing my new design;

D578,836 S * 10/2008 Hood D7/673

D581,220 S * 11/2008 Boerner D7/673

D608,162 S * 1/2010 Mah D7/673

D610,414 S * 2/2010 Boerner D7/673

D625,567 S 10/2010 Wong

D744,793 S * 12/2015 Lipscomb D7/673

D826,654 S * 8/2018 Chang D7/673

2010/0263514 A1 * 10/2010 Mah B26D 3/283

83/856

2017/0021515 A1 * 1/2017 Colburn B26D 3/283

FIG. 2 is a bottom, right and rear perspective view thereof;

FIG. 3 is a top plan view thereof;

FIG. 4 is a bottom plan view thereof;

FIG. 5 is a right side elevation view, the left side elevation being a mirror image thereof;

FIG. 6 is a front elevation view thereof;

FIG. 7 is a rear elevation view thereof;

FIG. 8 is a cross-sectional view taken along line 8-8 of FIG. 3; and,

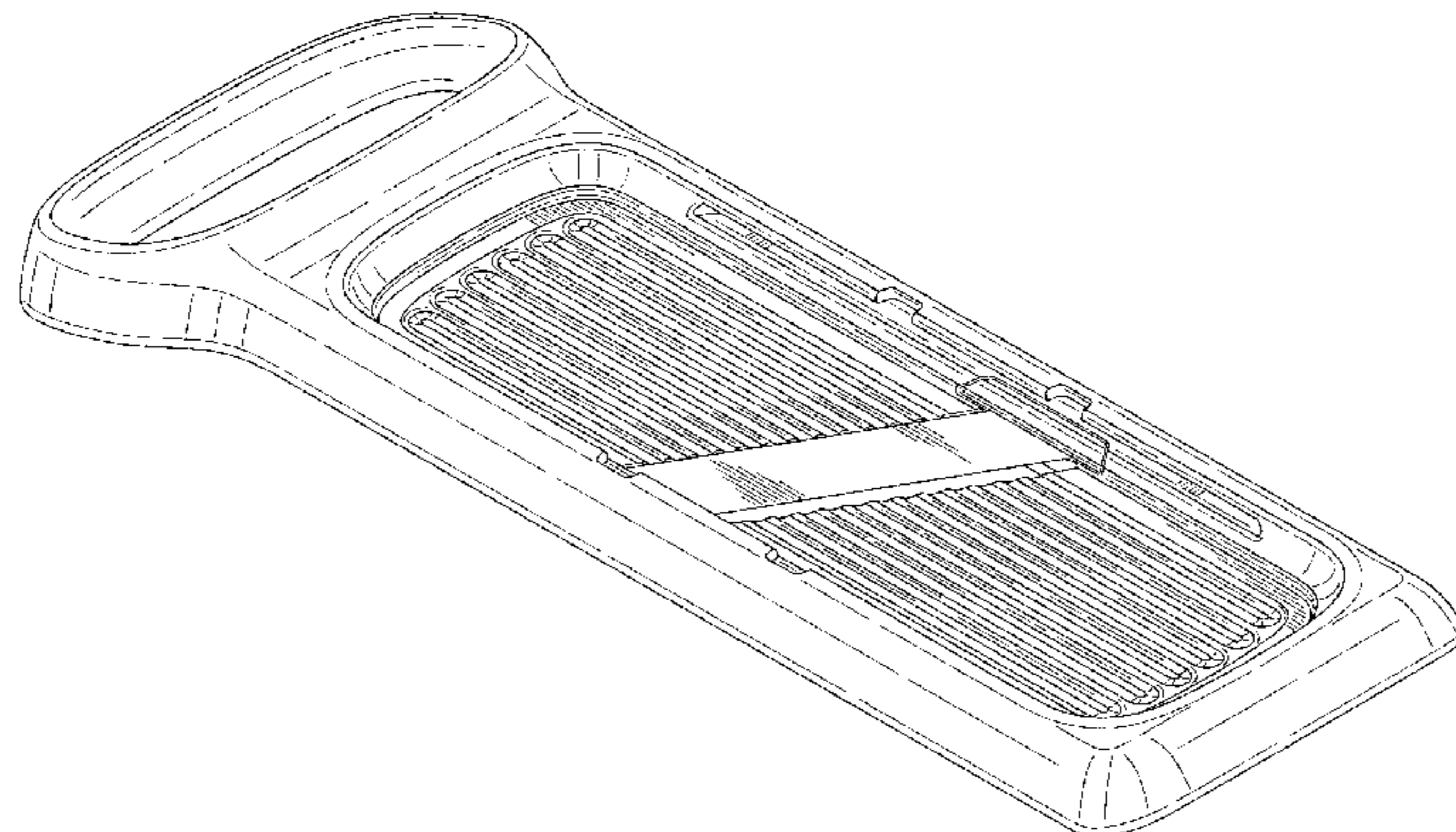
FIG. 9 is a cross-sectional view taken along line 9-9 of FIG. 3.

FOREIGN PATENT DOCUMENTS

DE 40001469 6/2000

JP D1572713 3/2017

1 Claim, 5 Drawing Sheets



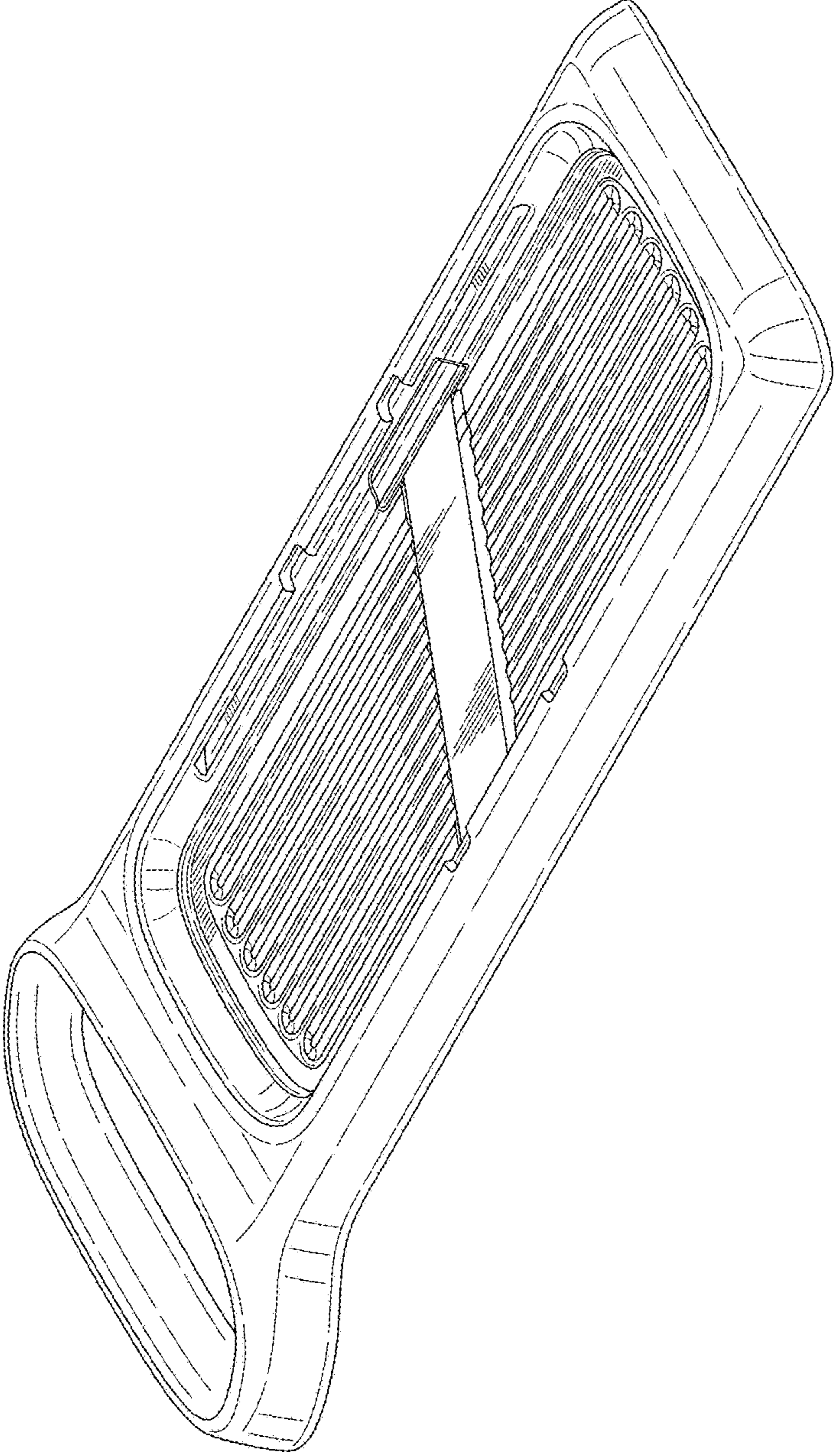


FIG. 1

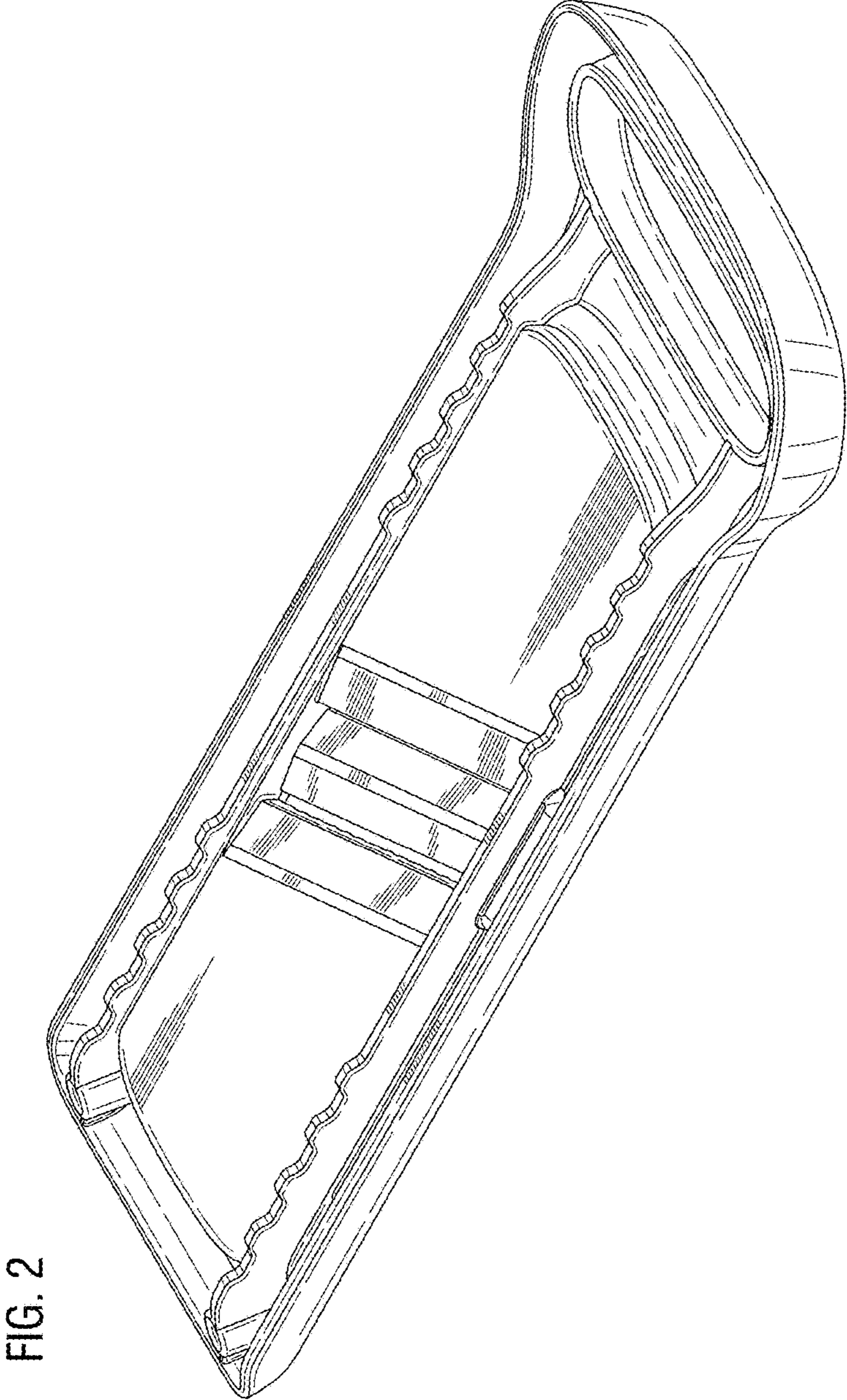
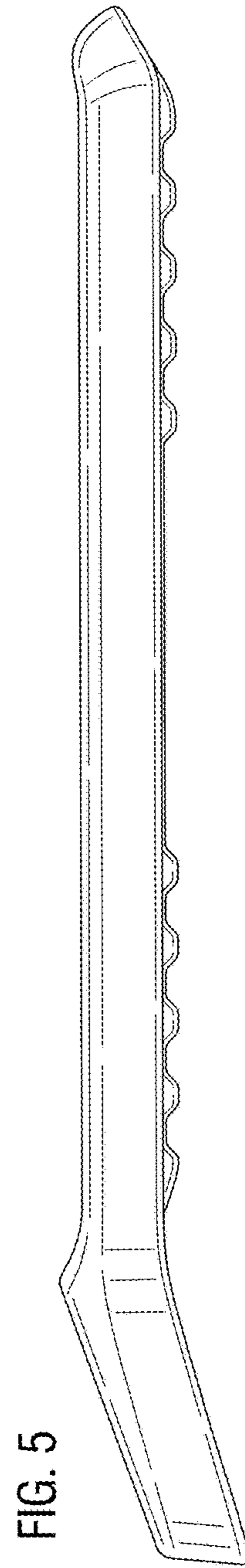
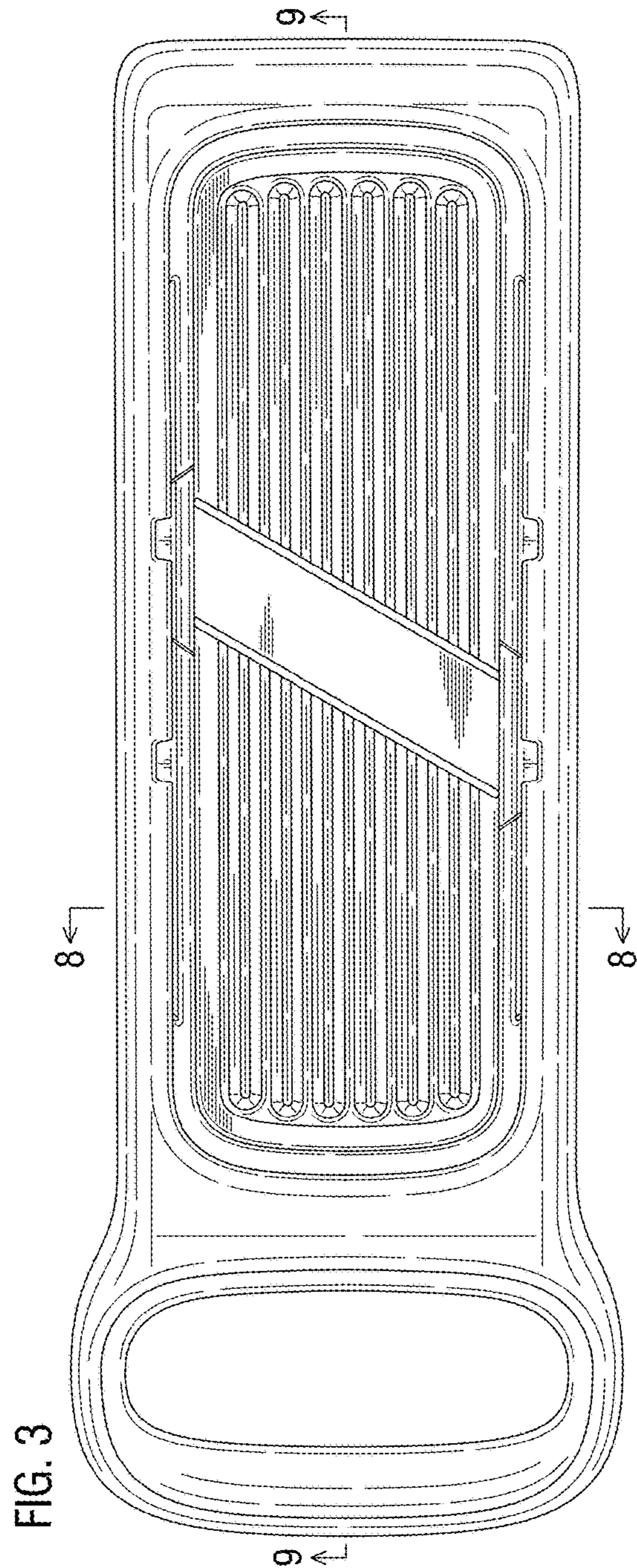


FIG. 2



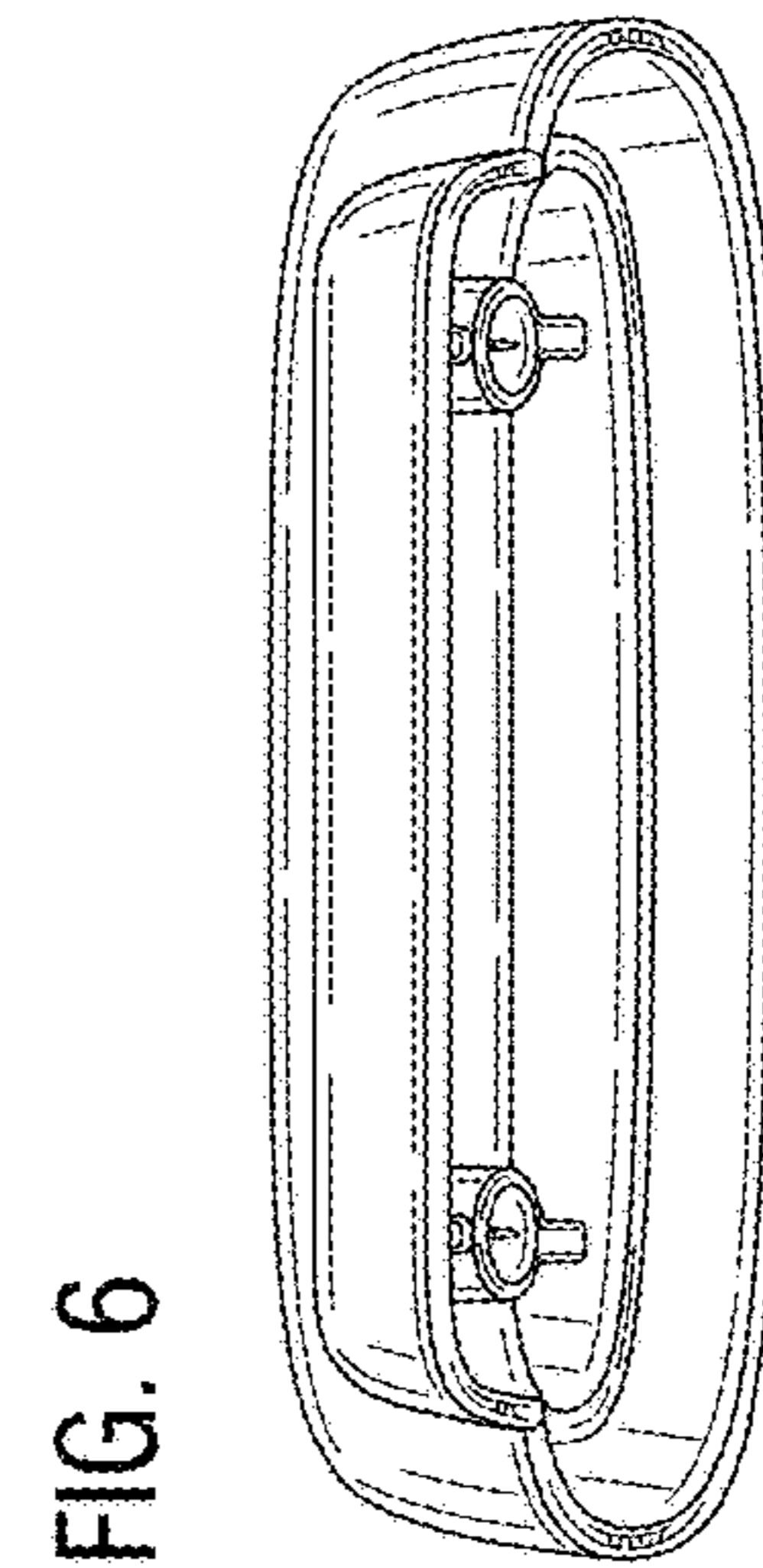
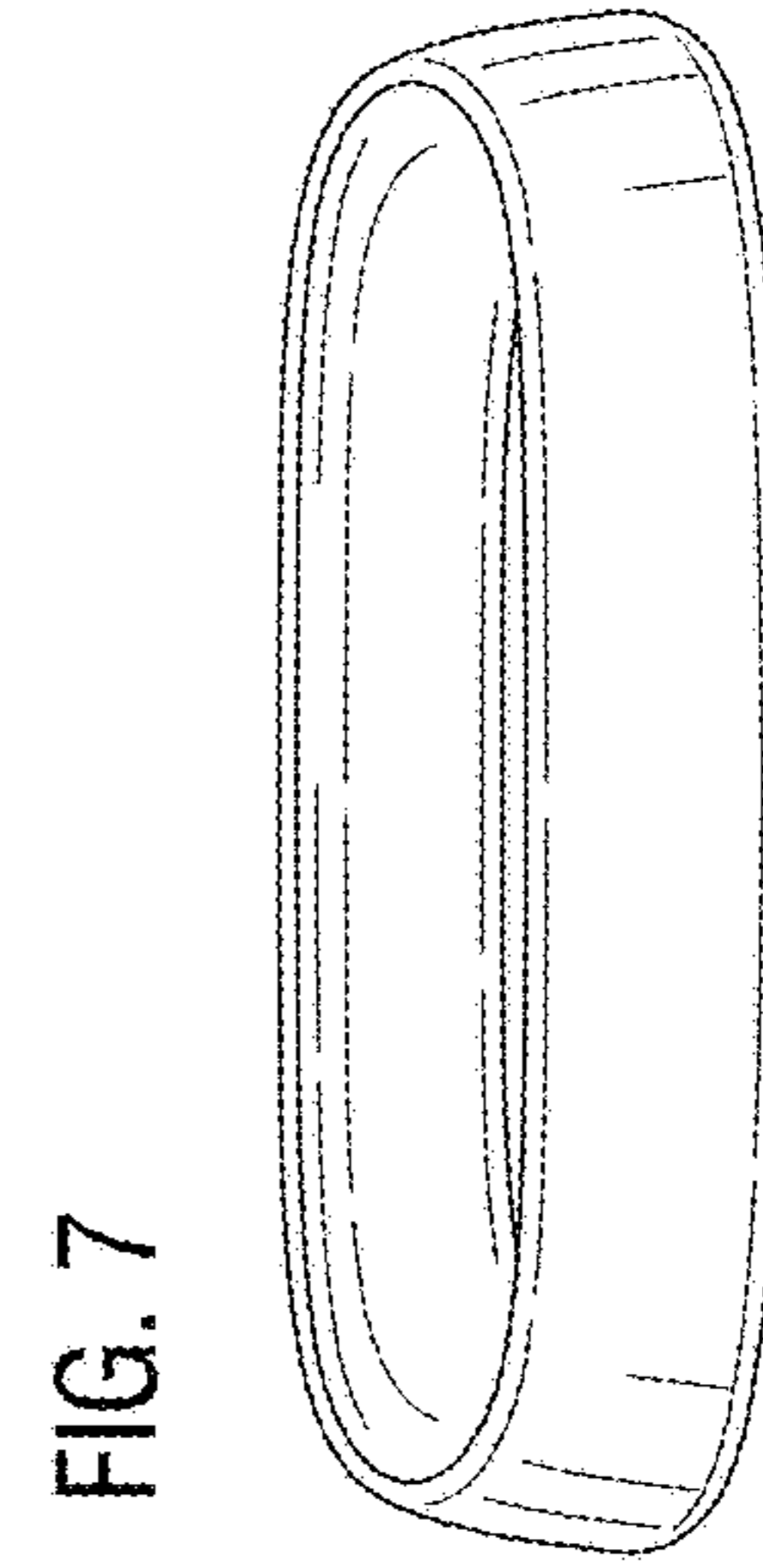
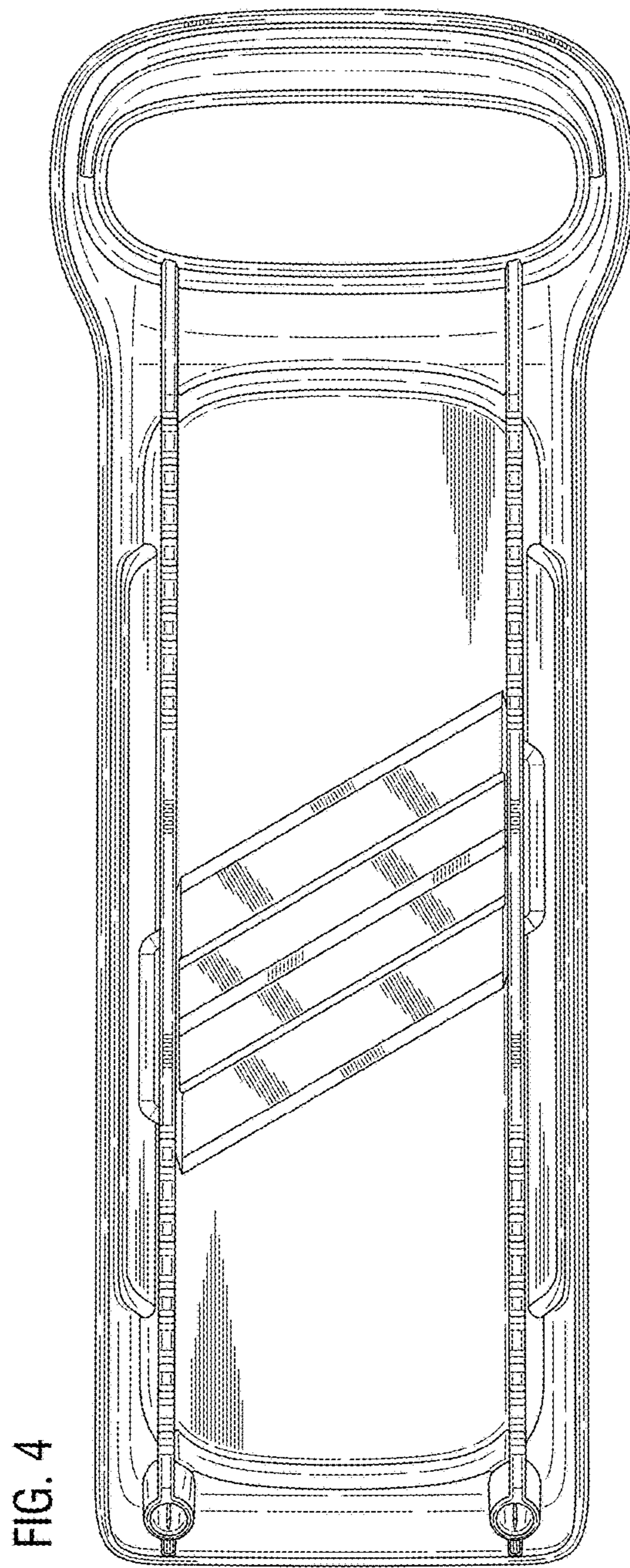


FIG. 8

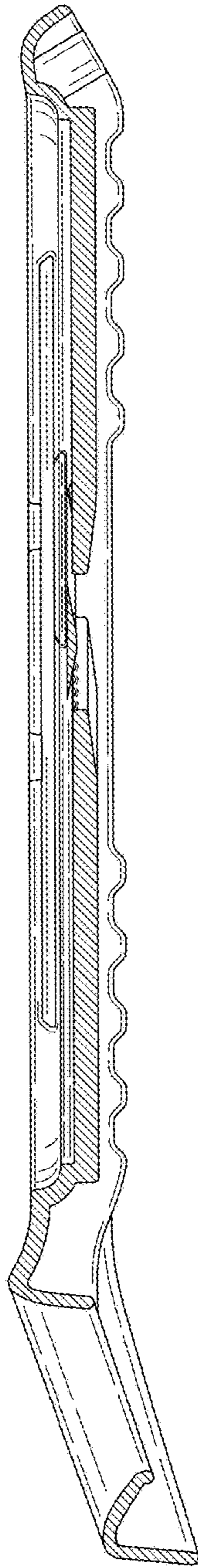


FIG. 9

