



US00D858216S

(12) **United States Design Patent** (10) **Patent No.:** **US D858,216 S**
Joseph (45) **Date of Patent:** **** Sep. 3, 2019**

(54) **UTENSIL ELEVATOR**
(71) Applicant: **Joseph Joseph Ltd.**, London (GB)
(72) Inventor: **Antony Joseph**, London (GB)
(73) Assignee: **Joseph Joseph Ltd.**, London (GB)
(**) Term: **15 Years**
(21) Appl. No.: **29/633,809**
(22) Filed: **Jan. 16, 2018**
(30) **Foreign Application Priority Data**
Jul. 17, 2017 (EM) 004107217-0003
(51) **LOC (12) Cl.** **07-04**
(52) **U.S. Cl.**
USPC **D7/669**
(58) **Field of Classification Search**
USPC D7/669, 680-696, 393, 395, 642-664,
D7/401.2
CPC A47J 43/283; A47G 21/145; A47G 21/04;
A47G 21/02; A47G 2400/025; B25J 7/00;
B25J 11/045; B25B 9/02; C03B 35/20
See application file for complete search history.

(56) **References Cited**
U.S. PATENT DOCUMENTS
2,789,349 A * 4/1957 Lee B26B 3/02
30/295
3,272,547 A * 9/1966 Pryce A47J 45/071
220/759
6,851,574 B1 * 2/2005 Traynor A47G 21/04
222/1
8,051,570 B1 * 11/2011 Brown A47G 21/005
222/192

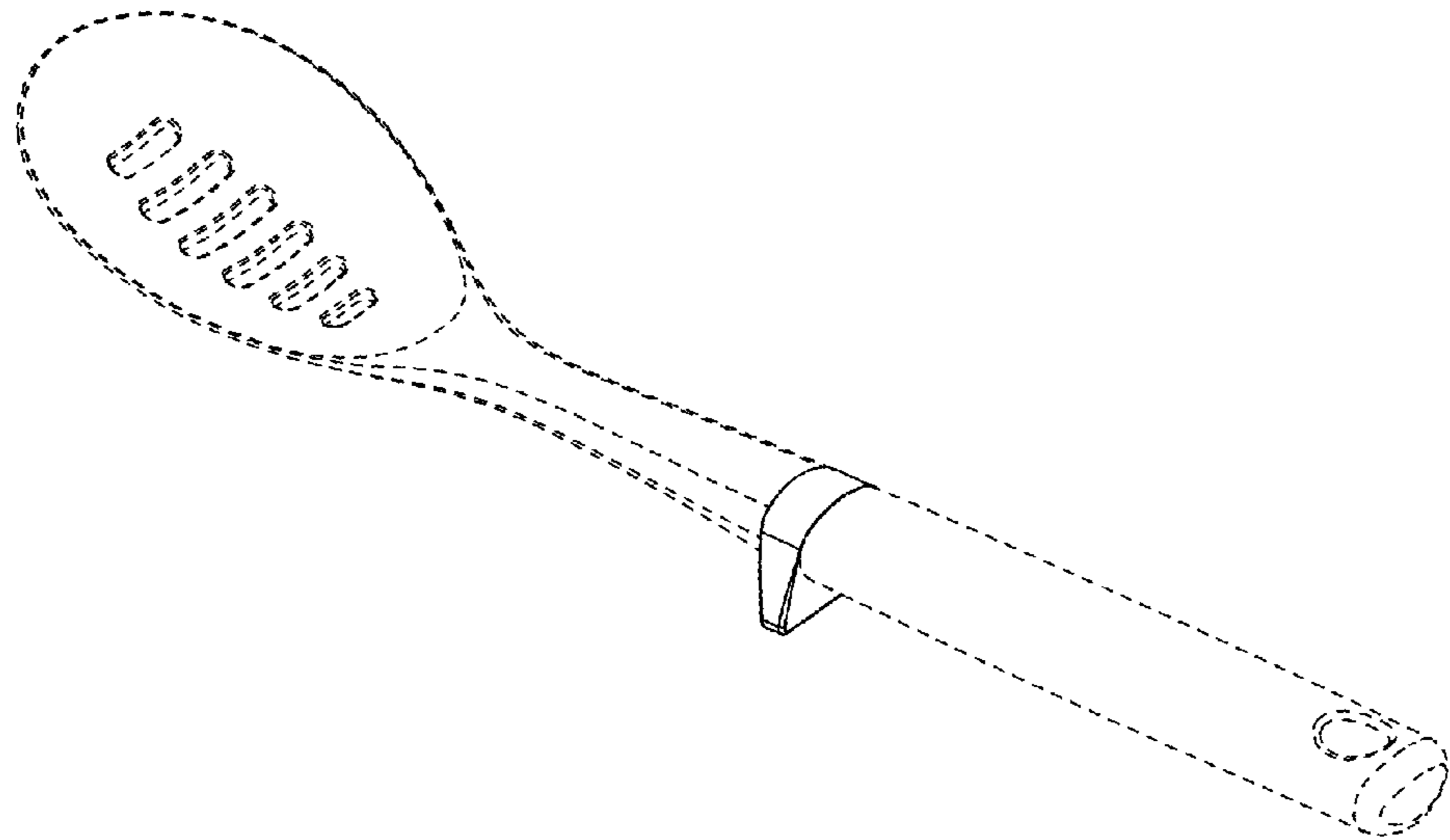
D659,467 S * 5/2012 Buchanan D7/395
D677,532 S * 3/2013 Joseph D7/688
D681,404 S * 5/2013 Cotter D7/691
8,465,069 B2 * 6/2013 McCartor A47G 21/023
294/61
D703,444 S * 4/2014 Jalet D4/121
D736,040 S * 8/2015 Donovan D7/401.2
D736,573 S * 8/2015 Donovan D7/401.2
D739,684 S * 9/2015 Donovan D7/401.2
D747,935 S * 1/2016 Schock D7/642
2008/0060206 A1 * 3/2008 DeSalvo A47G 21/02
30/327
2013/0133207 A1 * 5/2013 Donovan A47G 21/02
30/298.4
2014/0250698 A1 * 9/2014 Lord A47G 21/02
30/327
2015/0320261 A1 * 11/2015 Garrels A23L 15/00
426/304

* cited by examiner
Primary Examiner — Terry A Wallace
(74) *Attorney, Agent, or Firm* — Millen, White, Zelano & Branigan, PC

(57) **CLAIM**
The ornamental design for a utensil elevator, as shown and described.

DESCRIPTION
FIG. 1 is a top perspective view of the utensil elevator showing my new design.
FIG. 2 is a top view thereof.
FIG. 3 is a bottom view thereof.
FIG. 4 is a side top view thereof.
FIG. 5 is a back view thereof; and,
FIG. 6 is a front view thereof.
The broken lines in the drawings illustrate portions of the utensil elevator which form no part of the claimed design.

1 Claim, 6 Drawing Sheets



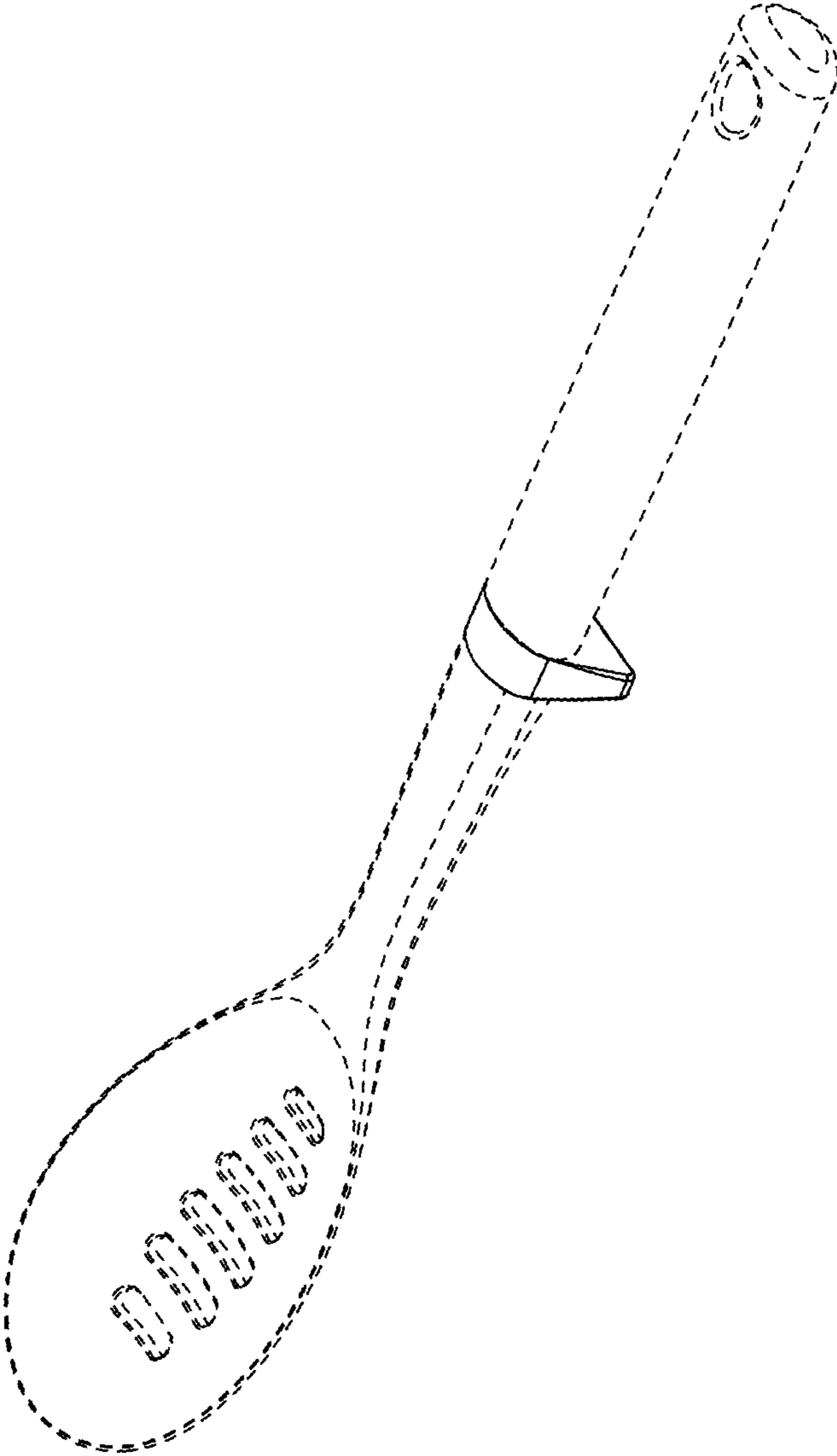


Fig. 1

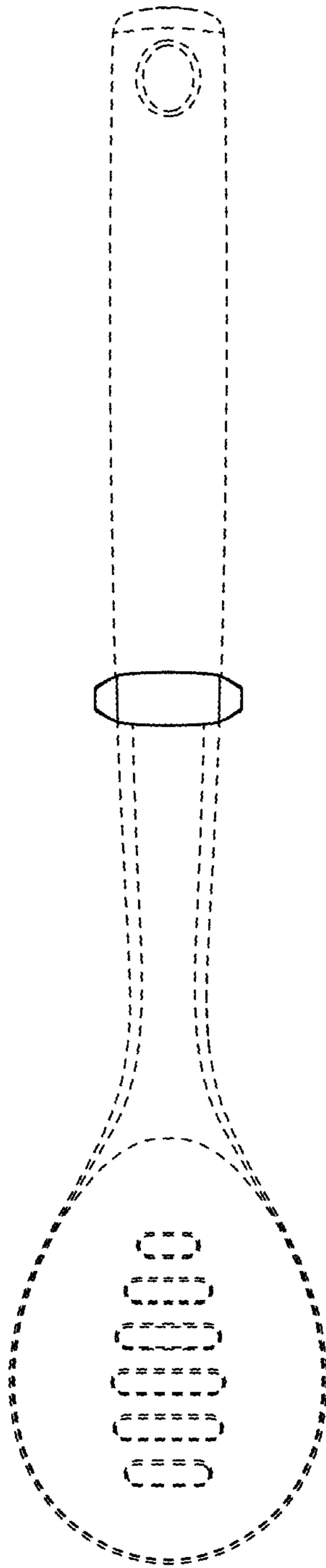


Fig. 2

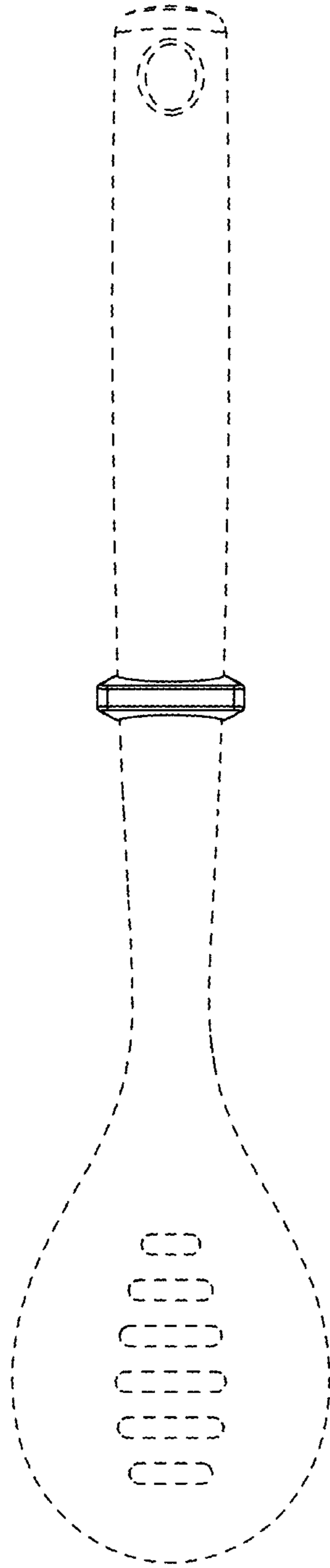


Fig. 3

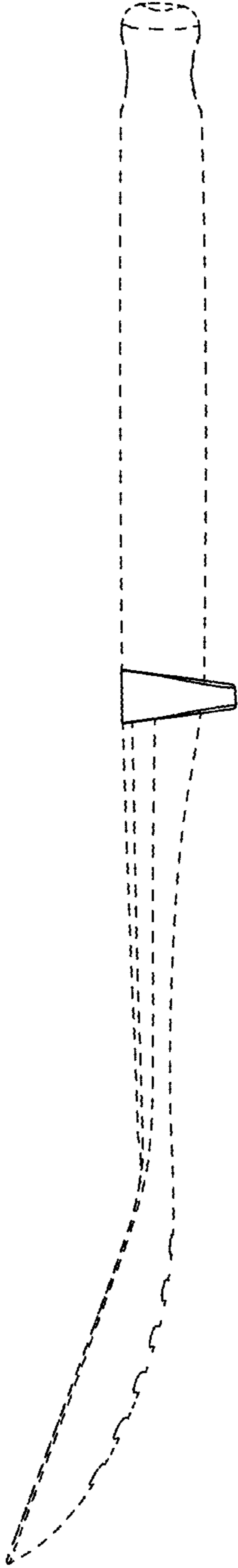


Fig. 4

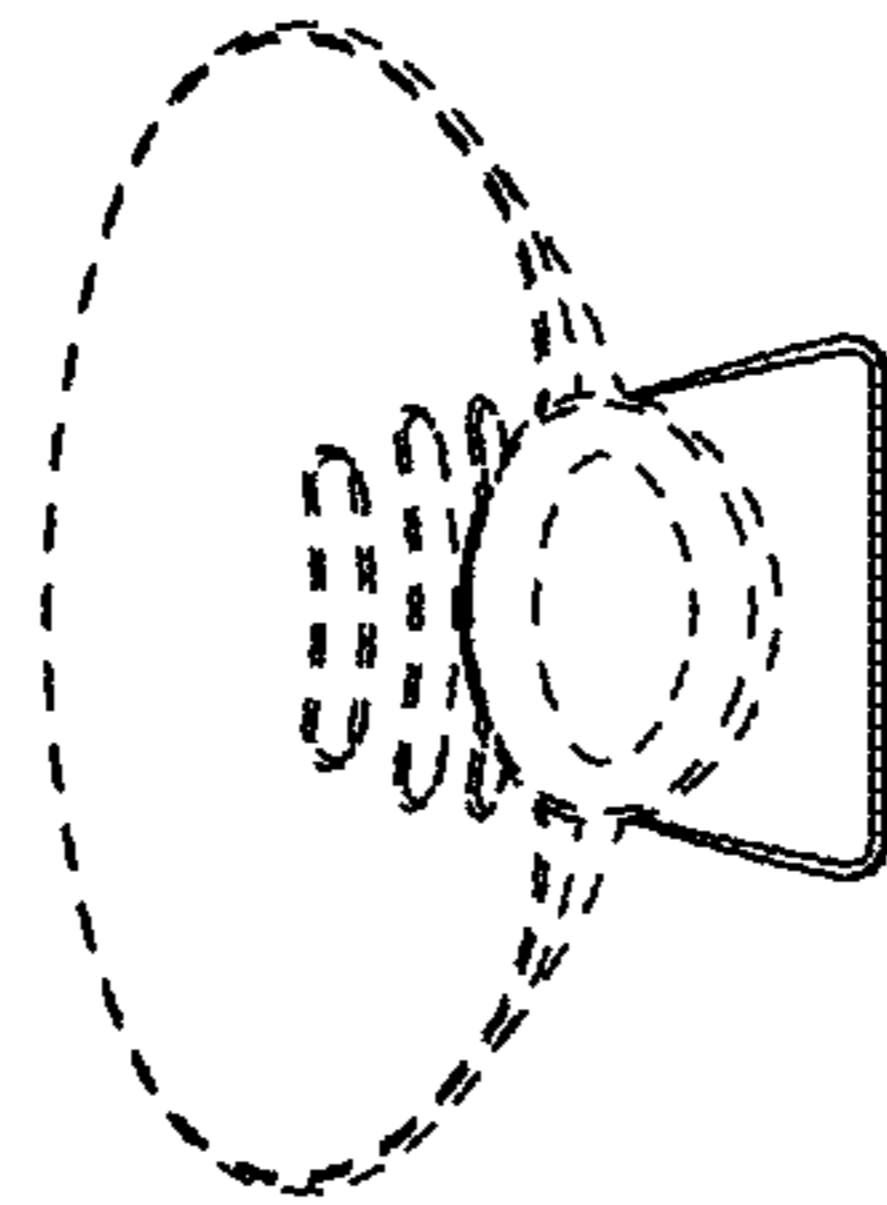


Fig. 5

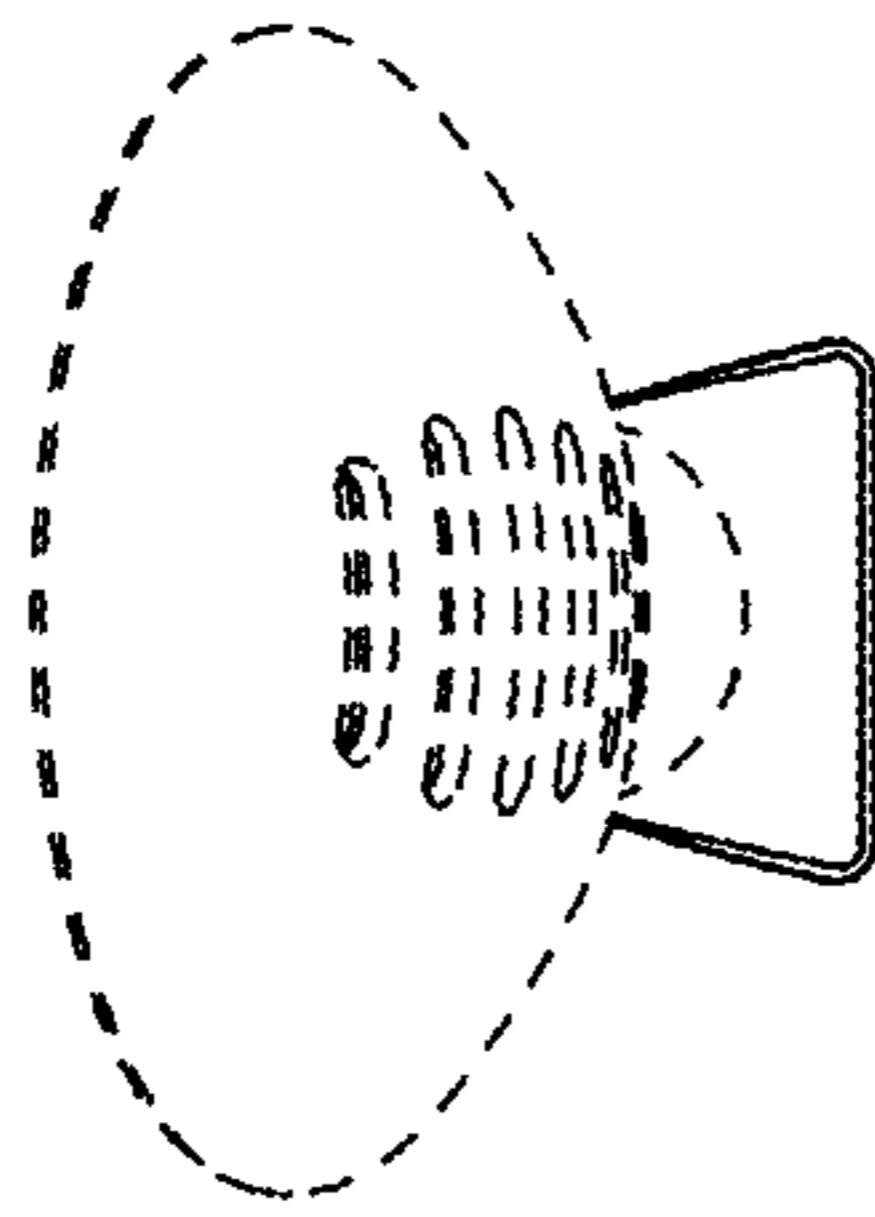


Fig. 6