



US00D858213S

(12) **United States Design Patent** (10) **Patent No.:** **US D858,213 S**
Wu (45) **Date of Patent:** **** Sep. 3, 2019**

(54) **LUNCH BOX**

(71) Applicant: **Jingdong Wu**, Taishan (CN)

(72) Inventor: **Jingdong Wu**, Taishan (CN)

(**) Term: **15 Years**

(21) Appl. No.: **29/611,000**

(22) Filed: **Jul. 18, 2017**

(51) **LOC (12) Cl.** **09-07**

(52) **U.S. Cl.**

USPC **D7/629**

(58) **Field of Classification Search**

USPC D7/354, 601-602, 610, 629-630,
D7/707-708; 206/405, 557;
D9/424-426, 428, 500-503, 761;
426/392; 229/903; 220/294, 315, 550
CPC B65D 1/36; B65D 81/3446; B65D 1/00;
B65D 43/0239; B65D 43/0204; B65D
2543/00083; A47G 23/04; A47G 23/0683;
A47G 23/06

See application file for complete search history.

(56) **References Cited**

U.S. PATENT DOCUMENTS

1,733,838 A * 10/1929 Steiner A47G 23/06
294/172
3,229,886 A * 1/1966 Grogel A21B 3/13
220/608
D235,302 S * 6/1975 Lanigan 220/574
D298,199 S * 10/1988 Finsilver D7/538

(Continued)

FOREIGN PATENT DOCUMENTS

CN 303813024 * 8/2016
CN 303813027 * 8/2016
CN 304961105 * 12/2018

Primary Examiner — Shannon W Morgan

Assistant Examiner — Altaira J Swangin

(74) *Attorney, Agent, or Firm* — Innovation Capital Law Group, LLP; Vic Lin

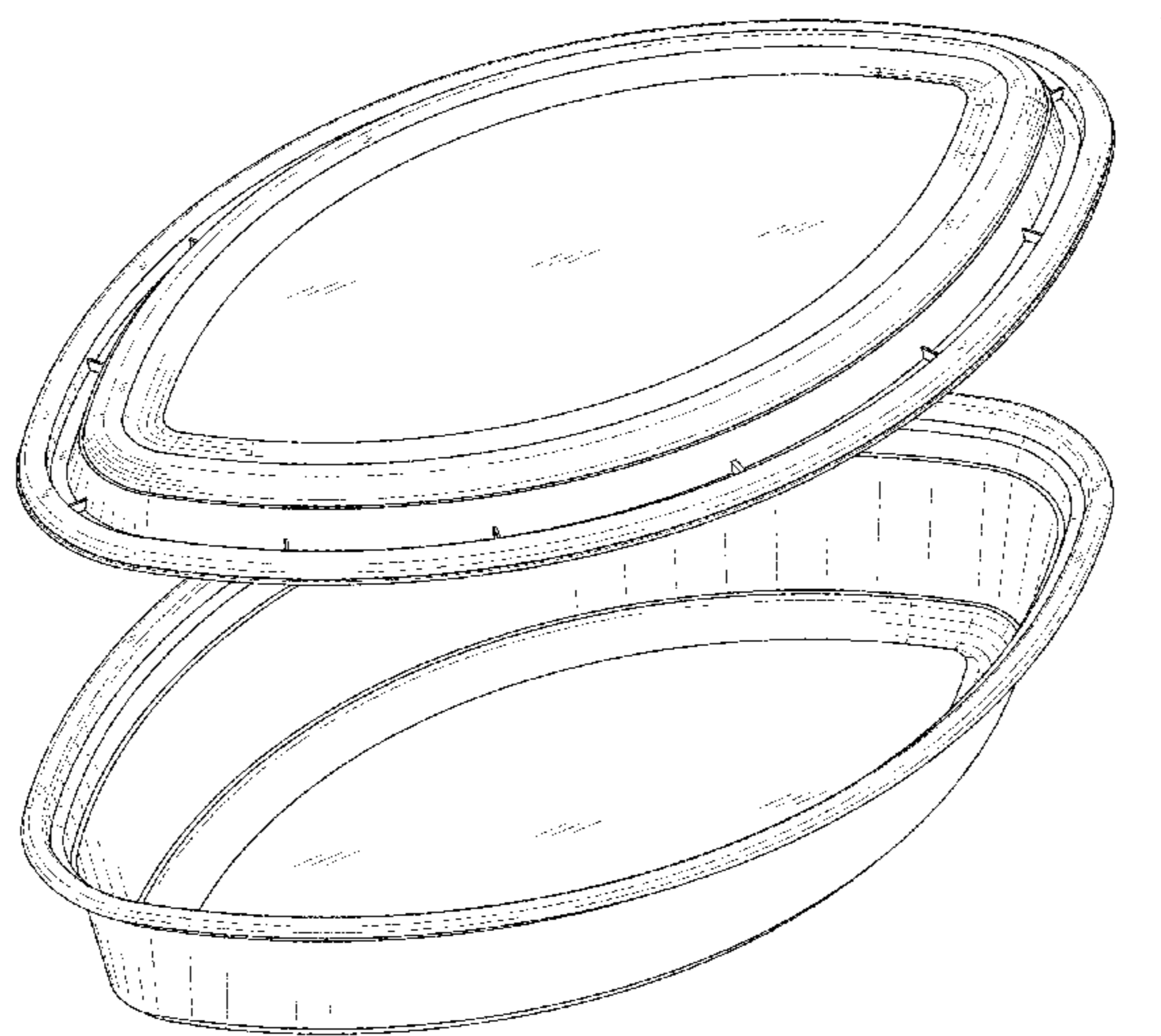
(57) **CLAIM**

The ornamental design for a lunch box, as shown and described.

DESCRIPTION

FIG. 1 is a front elevation view of a lunch box;
FIG. 2 is a right elevation view thereof;
FIG. 3 is a top plan view thereof;
FIG. 4 is a bottom plan view thereof;
FIG. 5 is a front perspective view thereof;
FIG. 6 is a top perspective view of the lunch box of FIG. 1, shown in an exploded configuration;
FIG. 7 is a bottom perspective view thereof;
FIG. 8 is a bottom perspective view of the lunch box of FIG. 1, shown in an exploded configuration;
FIG. 9 is a cross-section view of the lunch box, taken along the cut line, labeled 9-9 in FIG. 3;
FIG. 10 is a front elevation view of the lid of the lunch box, shown with the base removed for ease of illustration;
FIG. 11 is a right elevation view thereof;
FIG. 12 is a top plan view thereof;
FIG. 13 is a bottom plan view thereof;
FIG. 14 is a top perspective view thereof;
FIG. 15 is a bottom perspective view thereof;
FIG. 16 is a cross-section view of the lid of FIG. 10, taken along the cut line, labeled 16-16, in FIG. 12 thereof;
FIG. 17 is a front elevation view of the lunch box with the lid removed for ease of illustration;
FIG. 18 is a right elevation view thereof;
FIG. 19 is a top plan view thereof;
FIG. 20 is a bottom plan view thereof;
FIG. 21 is a top perspective view thereof;
FIG. 22 is a bottom perspective view thereof; and,
FIG. 23 is a cross-section view of the lunch box of FIG. 17, taken along the cut line, labeled 23-23, in FIG. 19.

1 Claim, 23 Drawing Sheets



(56)

References Cited

U.S. PATENT DOCUMENTS

5,273,174 A * 12/1993 Fisher A47G 19/027
 220/315
 5,593,610 A * 1/1997 Minerich B65D 81/3453
 219/728
 D445,674 S * 7/2001 Pritchett D28/8.1
 D466,762 S * 12/2002 Cote D7/543
 D472,810 S * 4/2003 Gelardi D9/418
 D482,928 S * 12/2003 Liu D7/392.1
 D483,232 S * 12/2003 Liu D7/614
 D499,936 S * 12/2004 Wiedmeyer D7/543
 D522,376 S * 6/2006 Hales D7/613
 D532,891 S * 11/2006 Buthier D23/366
 D540,112 S * 4/2007 Nichols D7/354
 D591,591 S * 5/2009 Moecks D9/428
 8,678,224 B2 * 3/2014 Dumont D' Ayot
 A61M 1/1656
 220/500
 8,851,314 B2 * 10/2014 Hudson B65D 43/0212
 206/541

D735,534 S * 8/2015 Berlepsch D7/545
 D738,720 S * 9/2015 Yang D9/428
 D755,577 S * 5/2016 Segal D7/629
 D764,688 S * 8/2016 Robinson D26/9
 D781,109 S * 3/2017 Rubino D7/587
 D796,582 S * 9/2017 Beard D21/386
 D811,214 S * 2/2018 Wu D9/428
 D811,215 S * 2/2018 Wu D9/428
 D811,872 S * 3/2018 Wu D9/428
 D820,641 S * 6/2018 Wu D7/545
 9,993,373 B2 * 6/2018 Nassif B65F 1/00
 D826,643 S * 8/2018 Sahatjian D7/550.1
 D827,383 S * 9/2018 Sahatjian D7/550.1
 D827,384 S * 9/2018 Sahatjian D7/550.1
 D835,465 S * 12/2018 Son D7/545
 10,150,611 B2 * 12/2018 Cronacher B21D 22/20
 D843,205 S * 3/2019 Penn D9/428
 2016/0016702 A1 * 1/2016 Siskindovich B65D 43/0208
 220/315
 2017/0001765 A1 * 1/2017 Albrecht B65D 43/0212

* cited by examiner

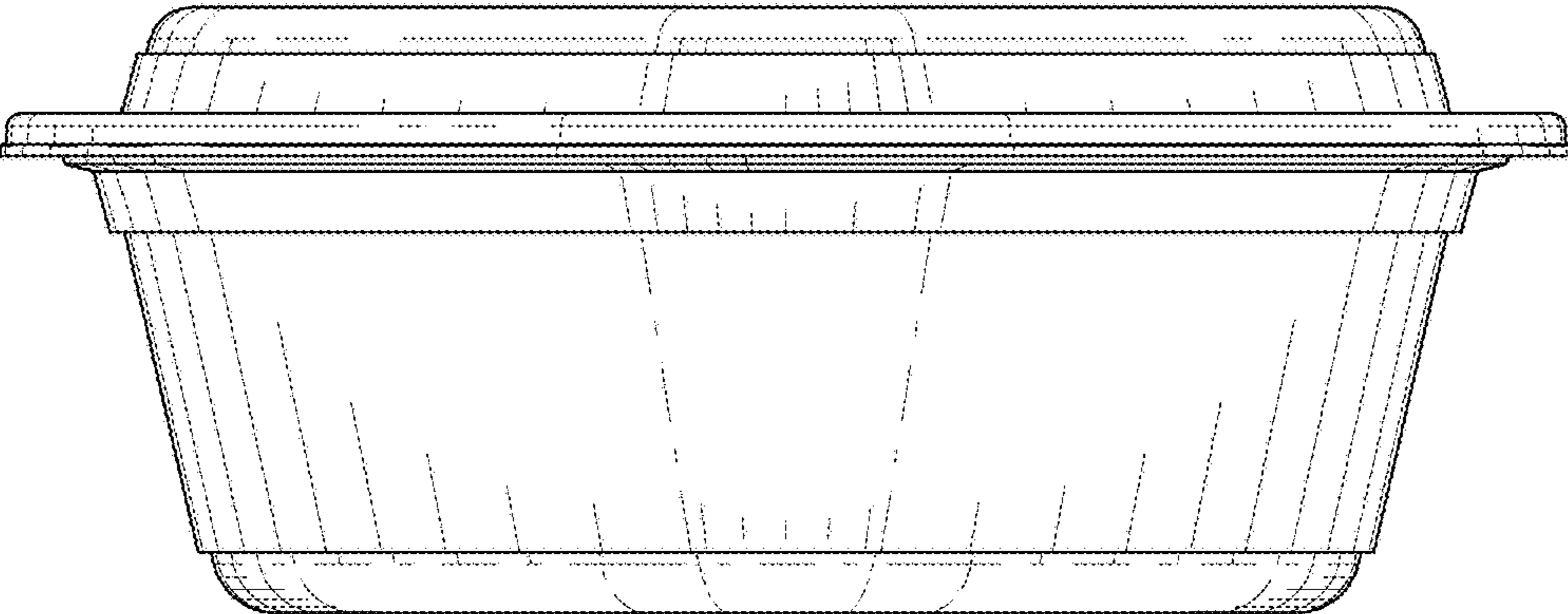


FIG. 1

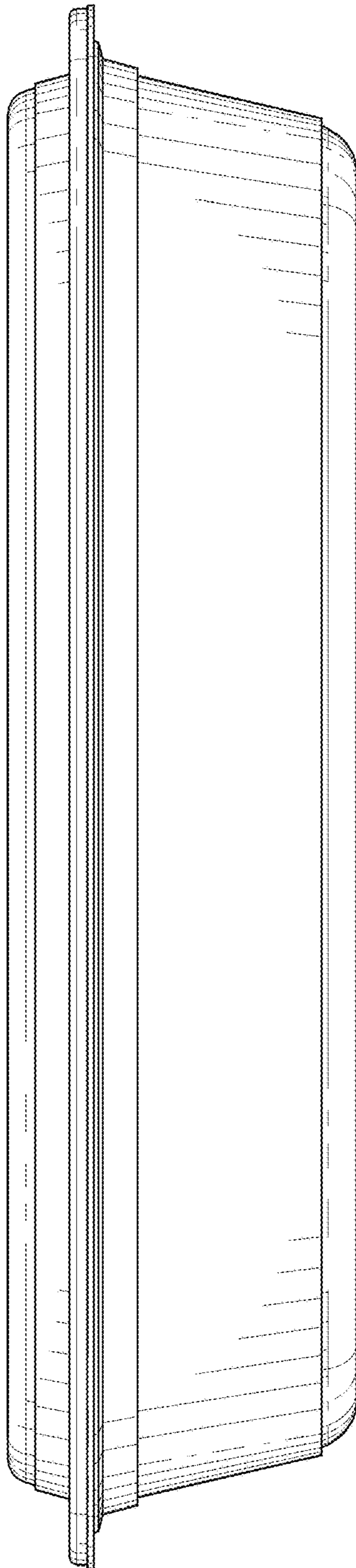


FIG. 2

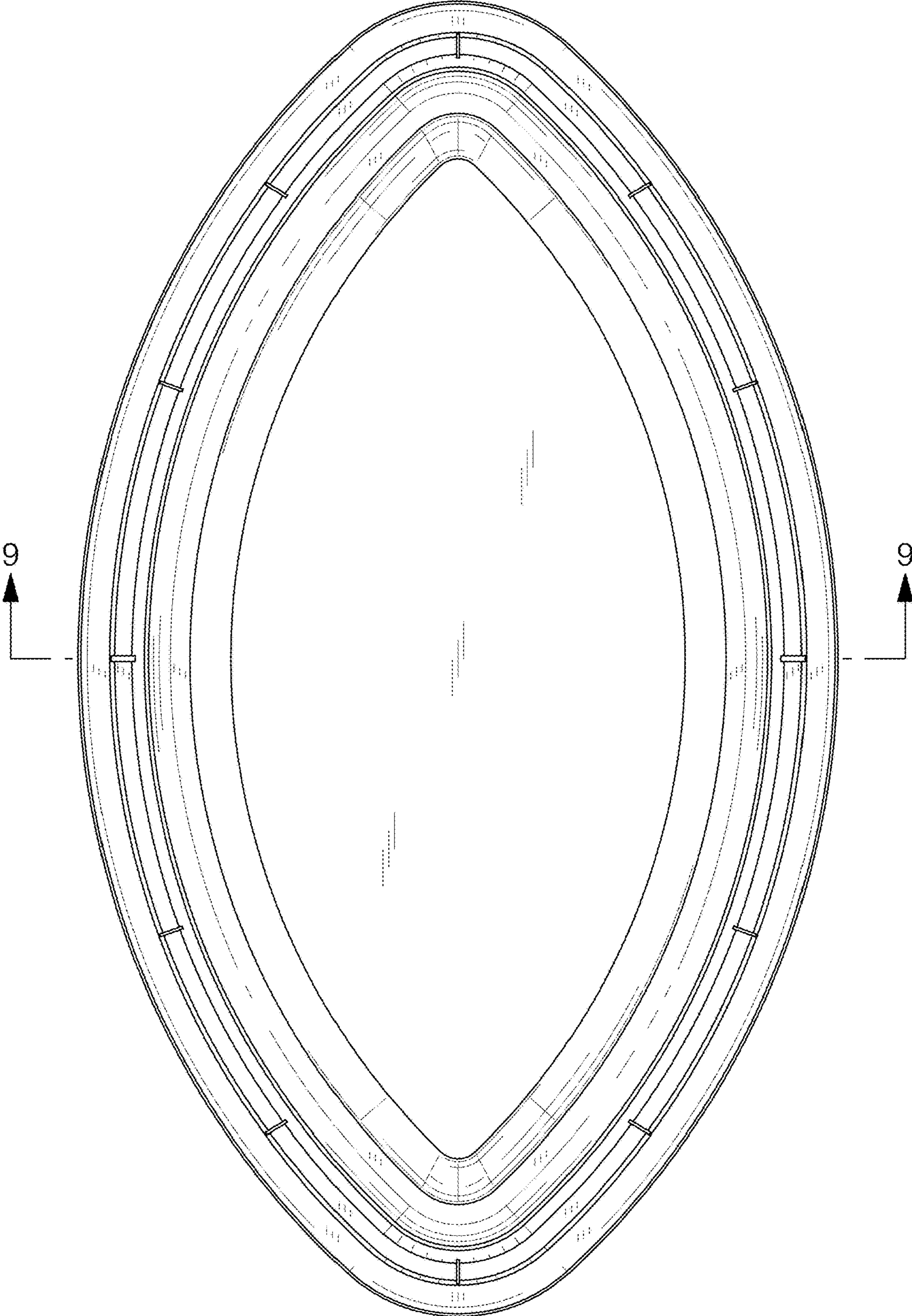


FIG. 3

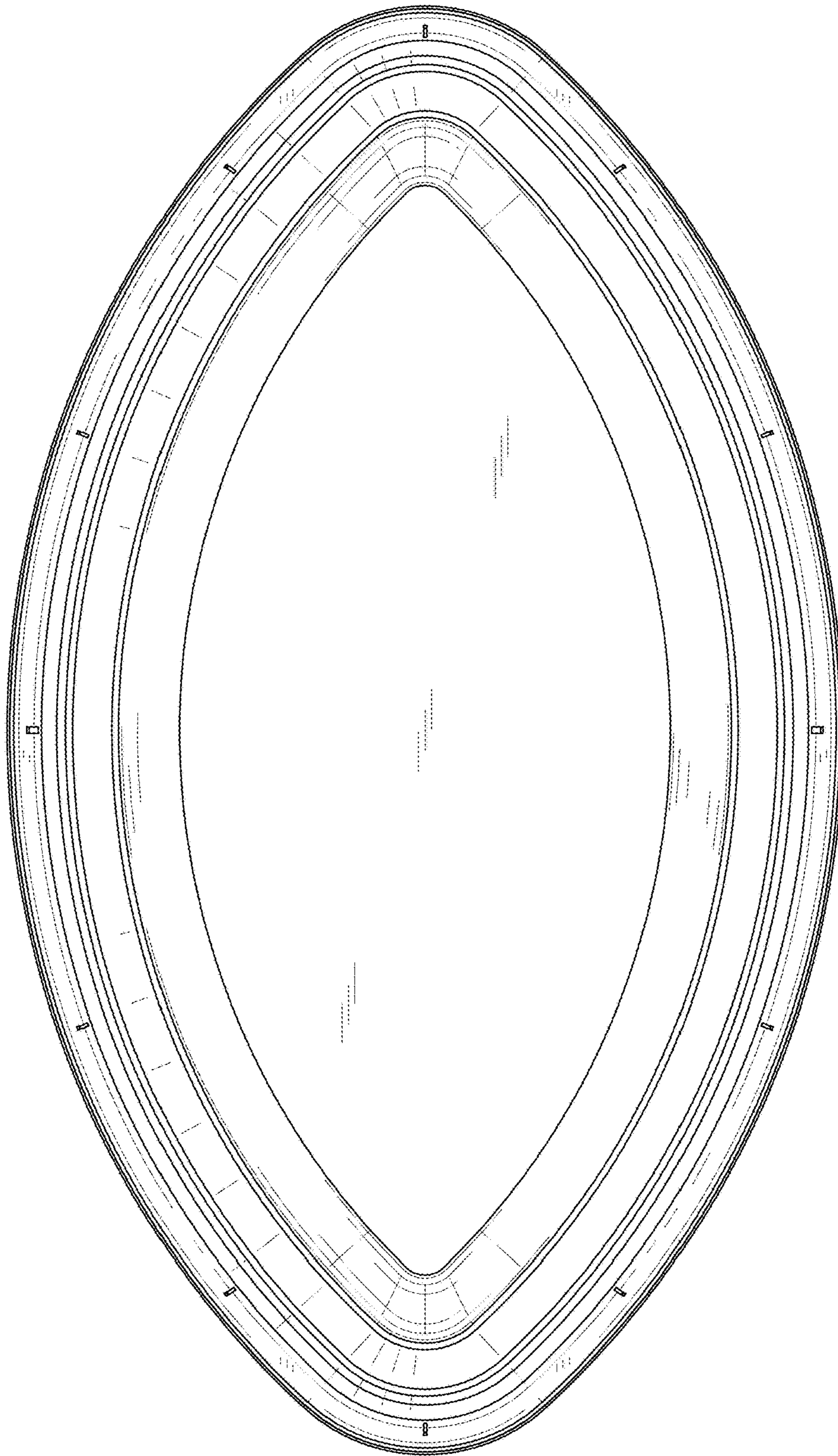


FIG. 4

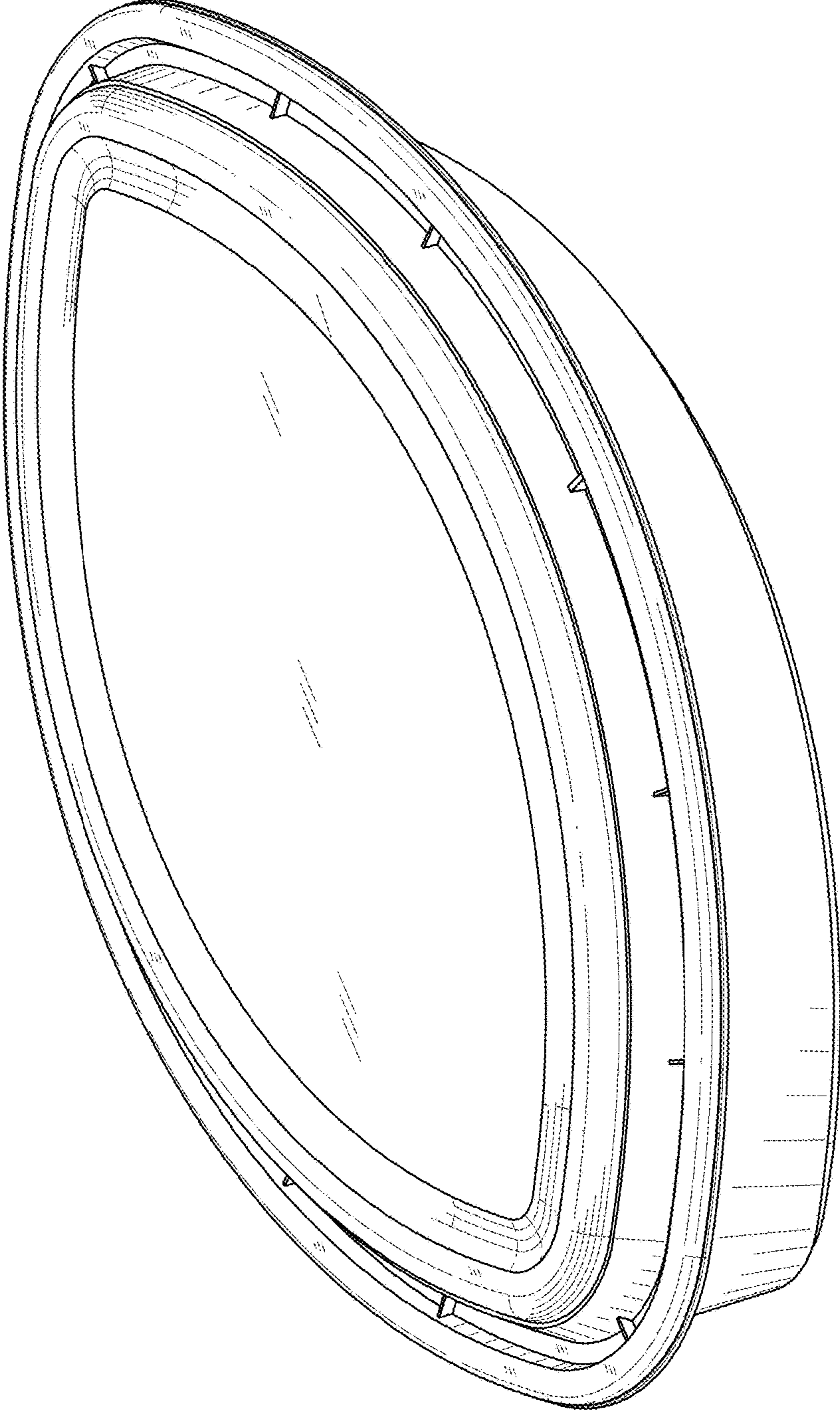


FIG. 5

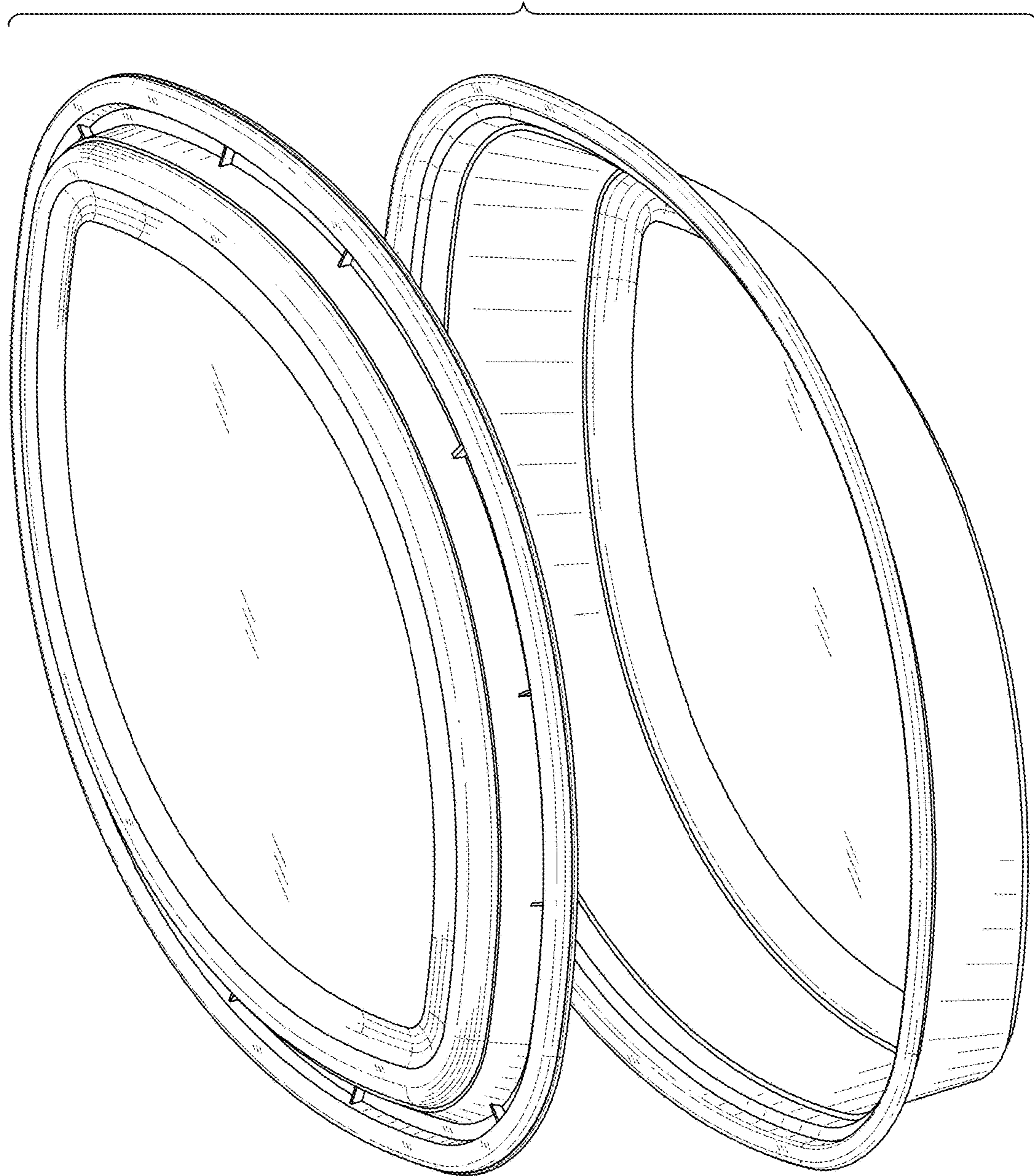


FIG. 6

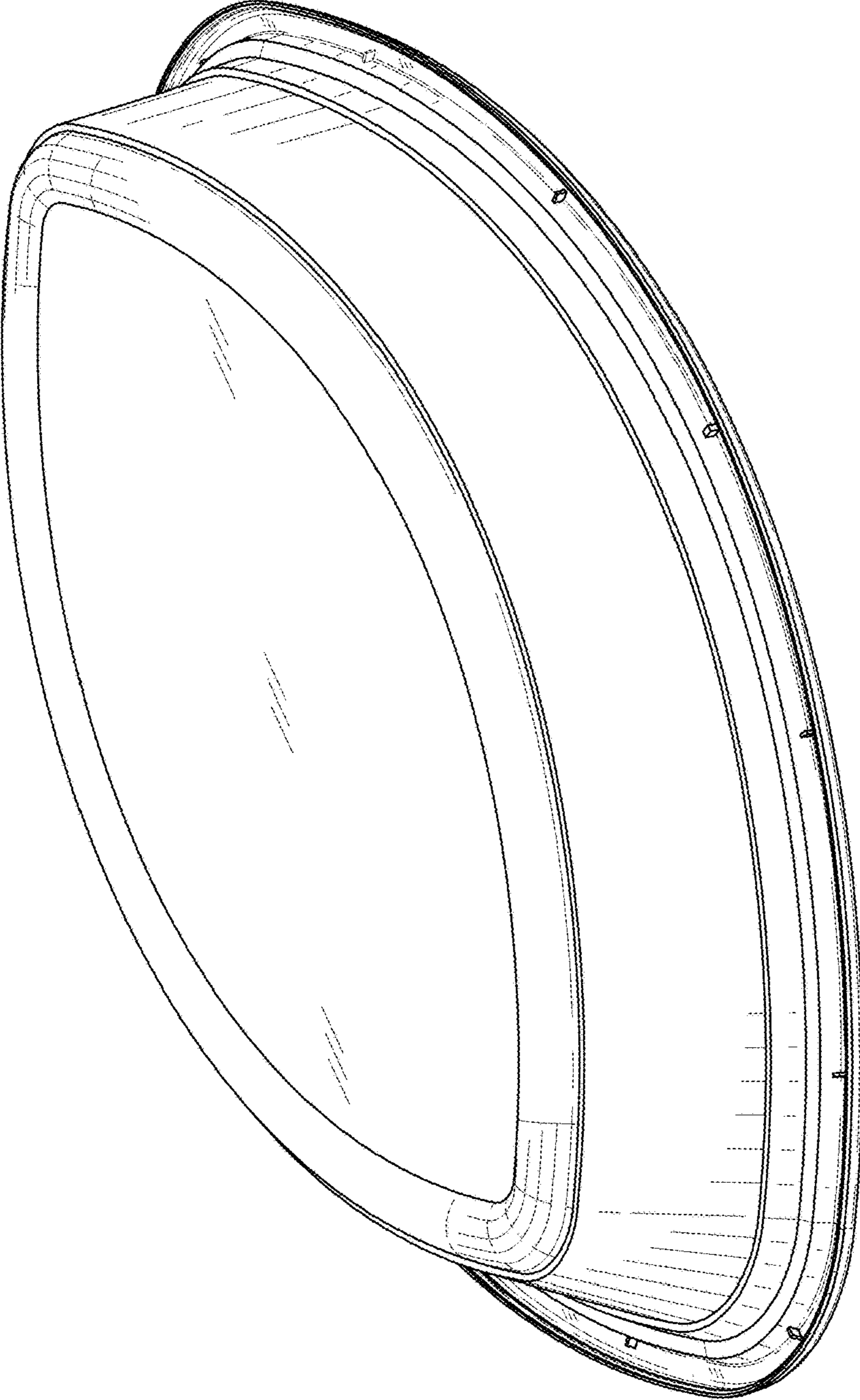


FIG. 7

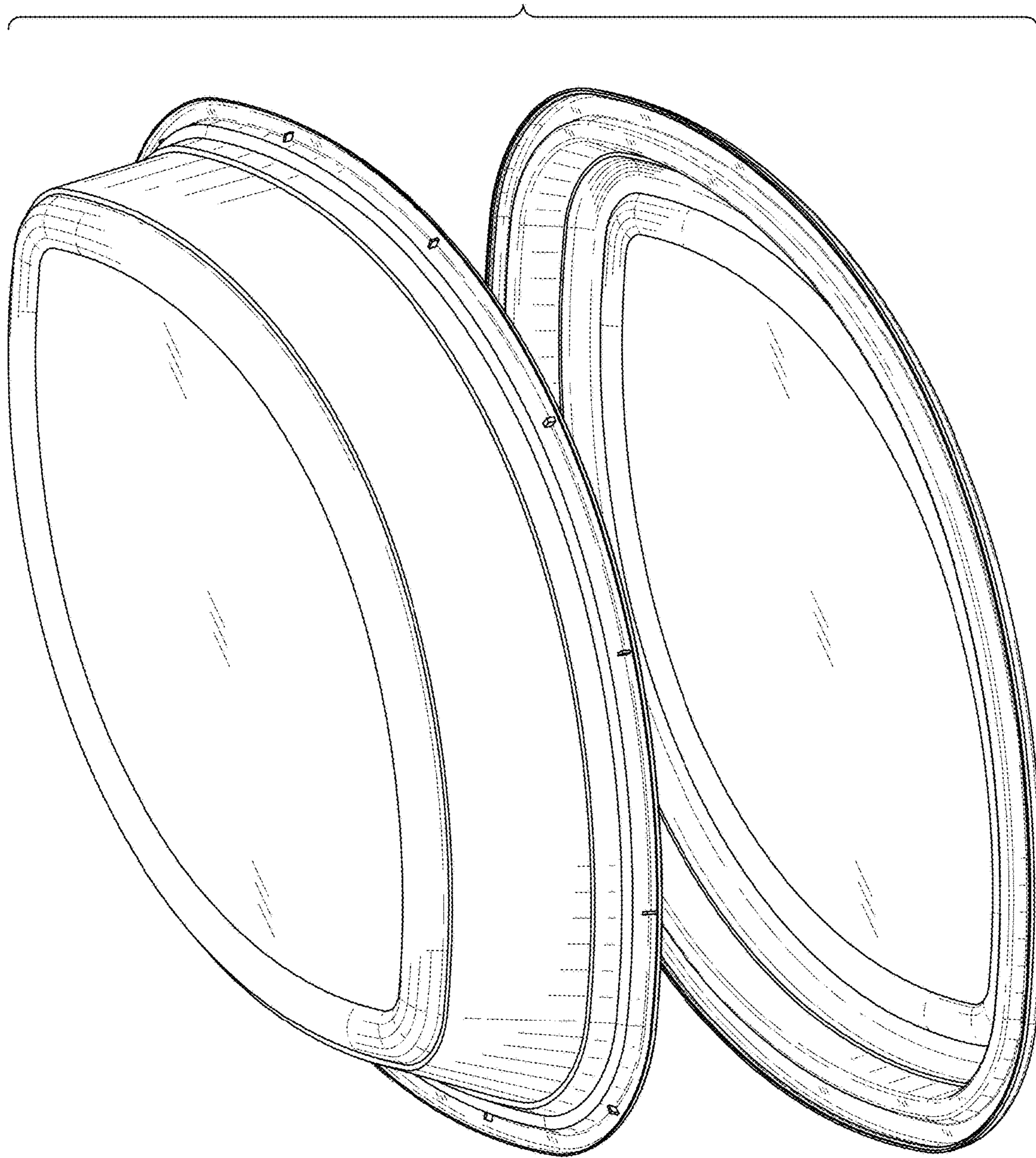


FIG. 8

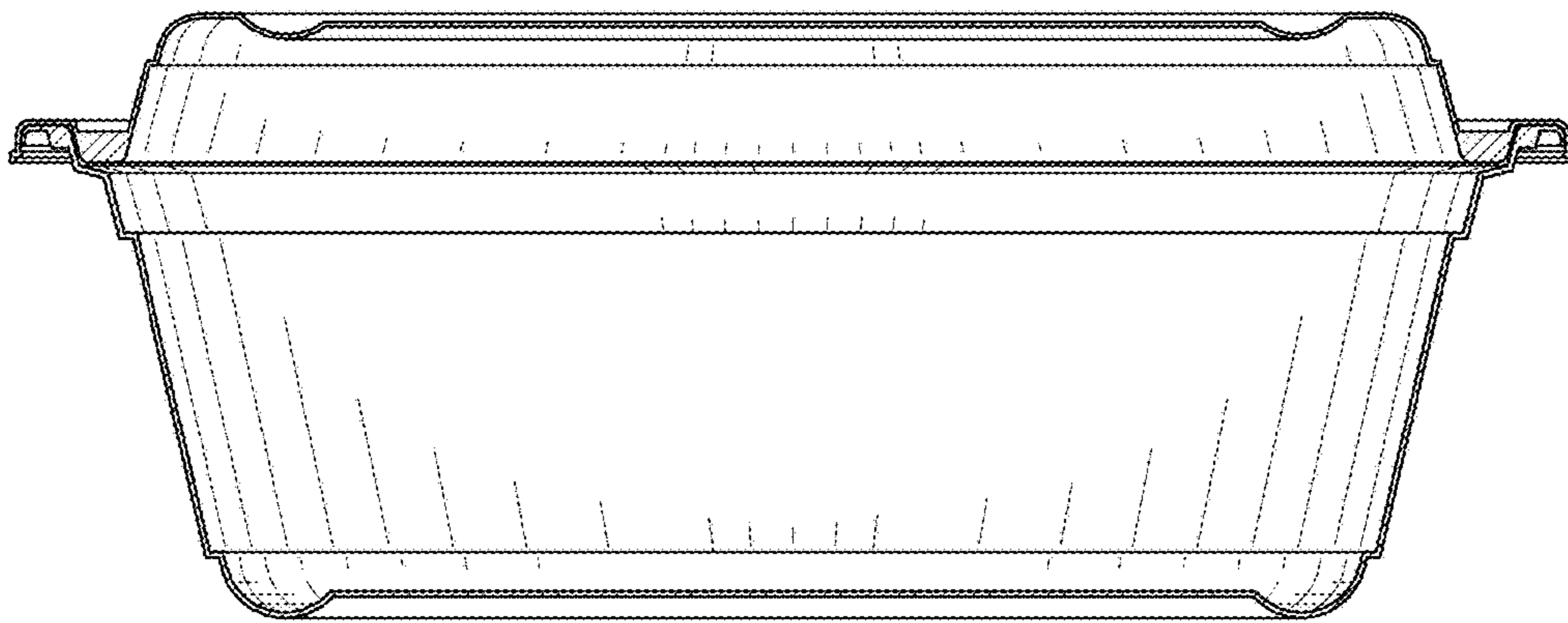


FIG. 9

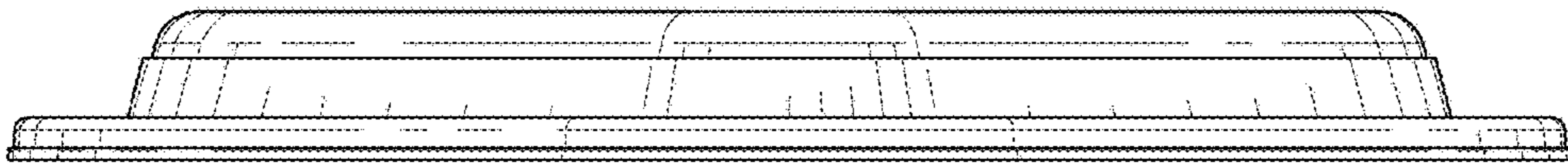


FIG. 10

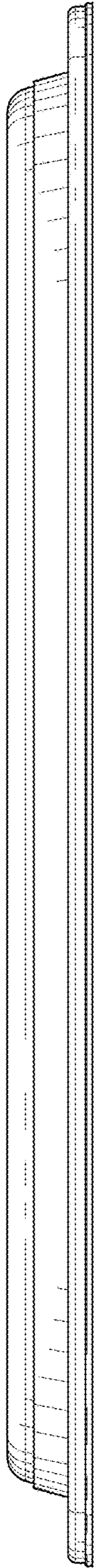


FIG. 11

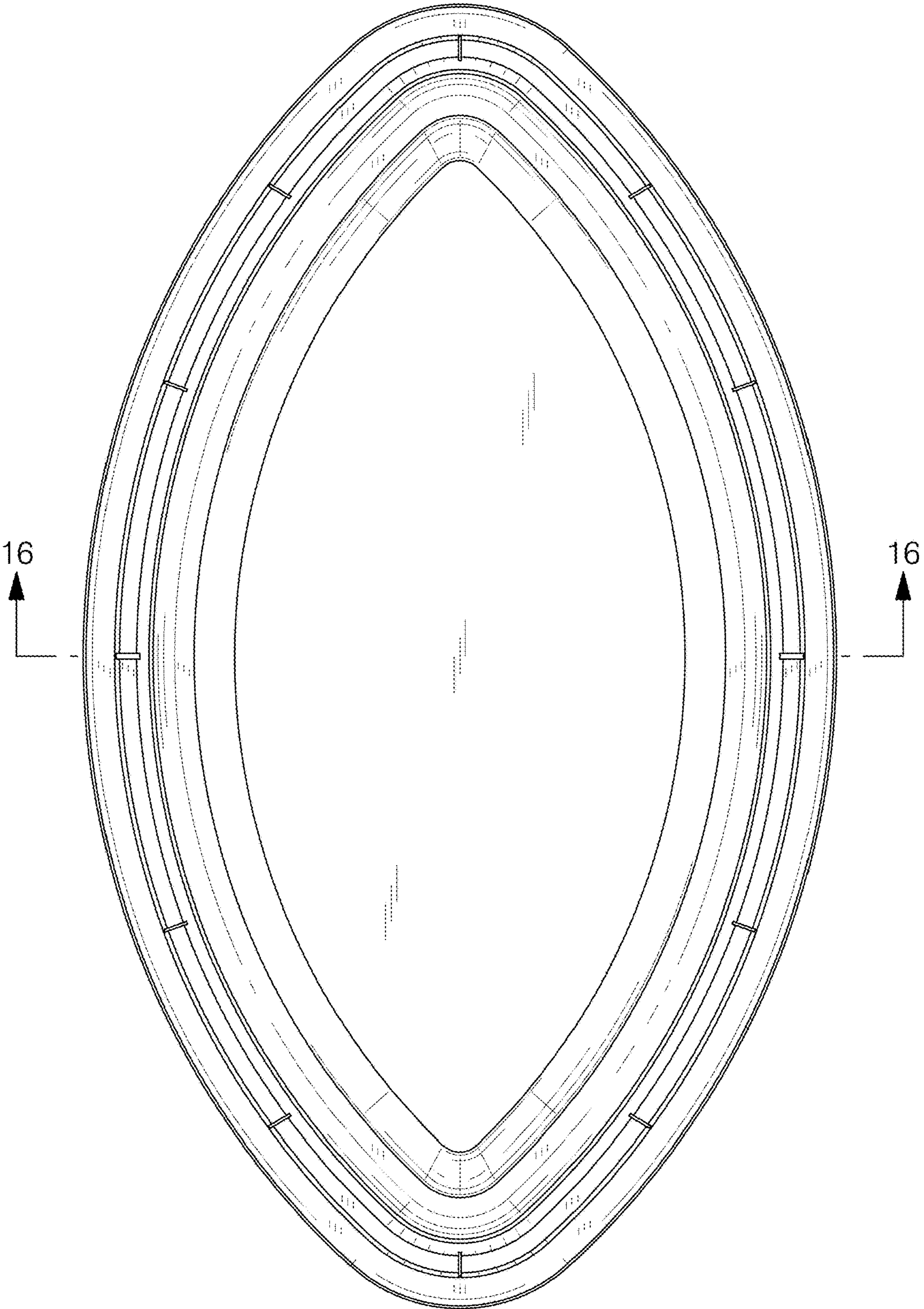


FIG. 12

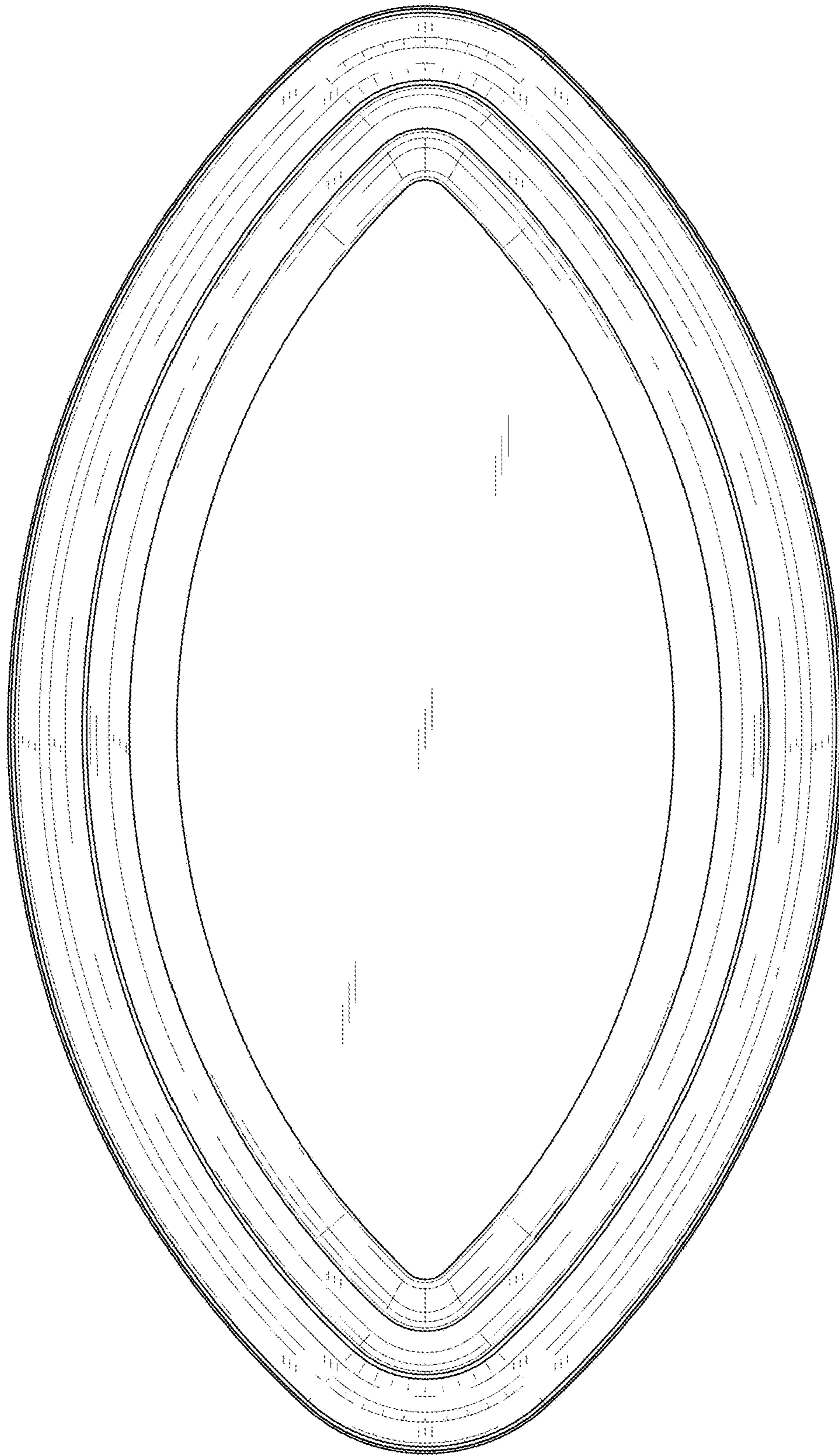


FIG. 13

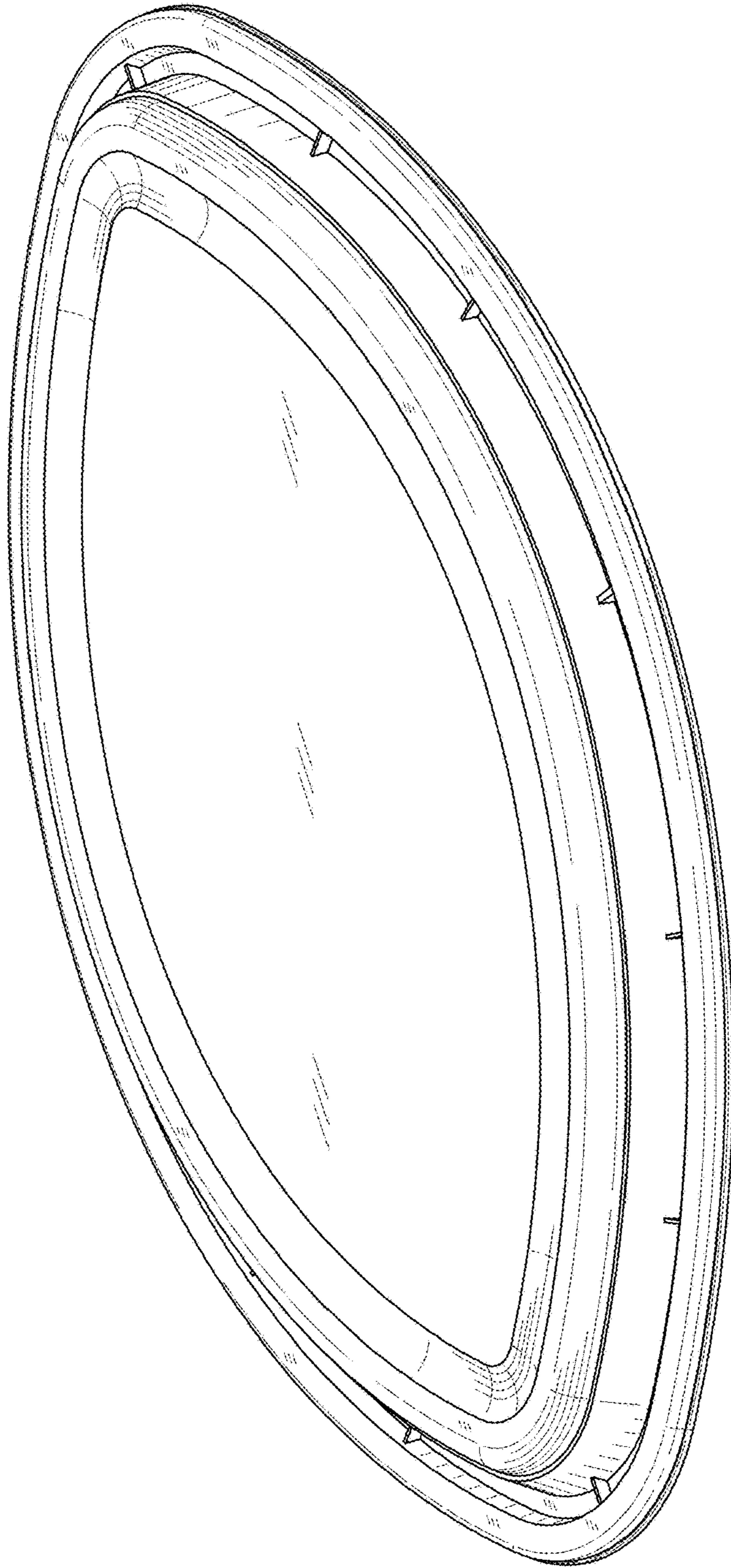


FIG. 14

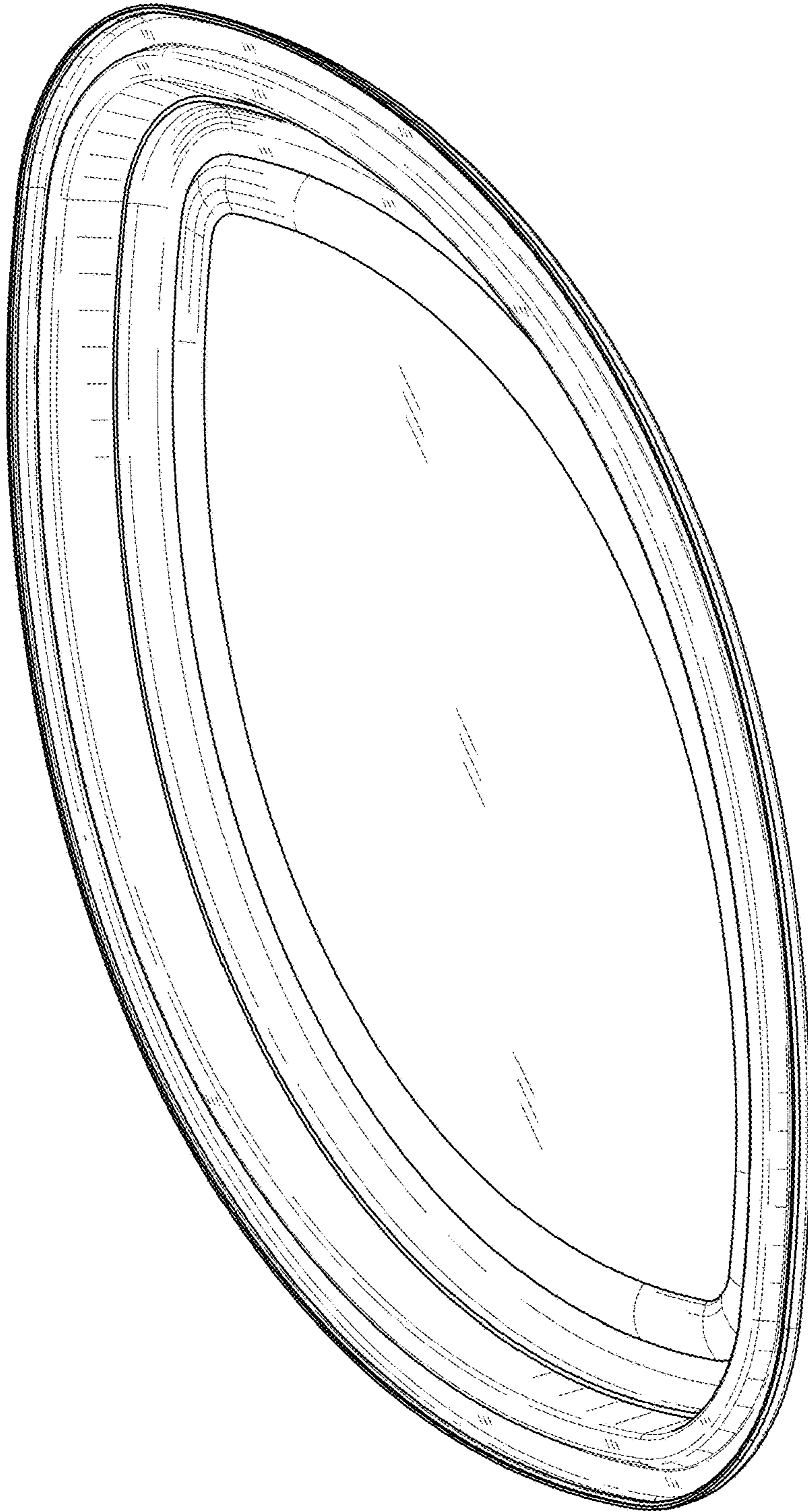


FIG. 15

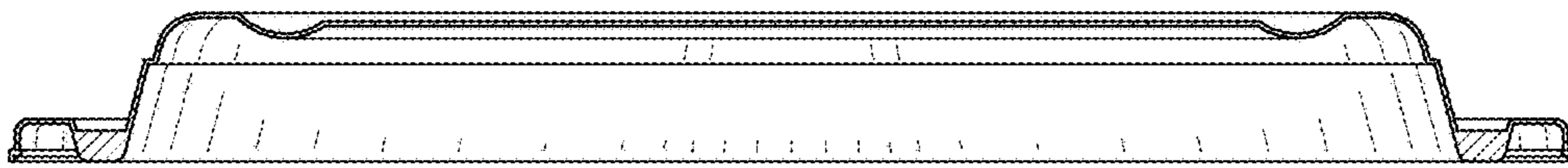


FIG. 16

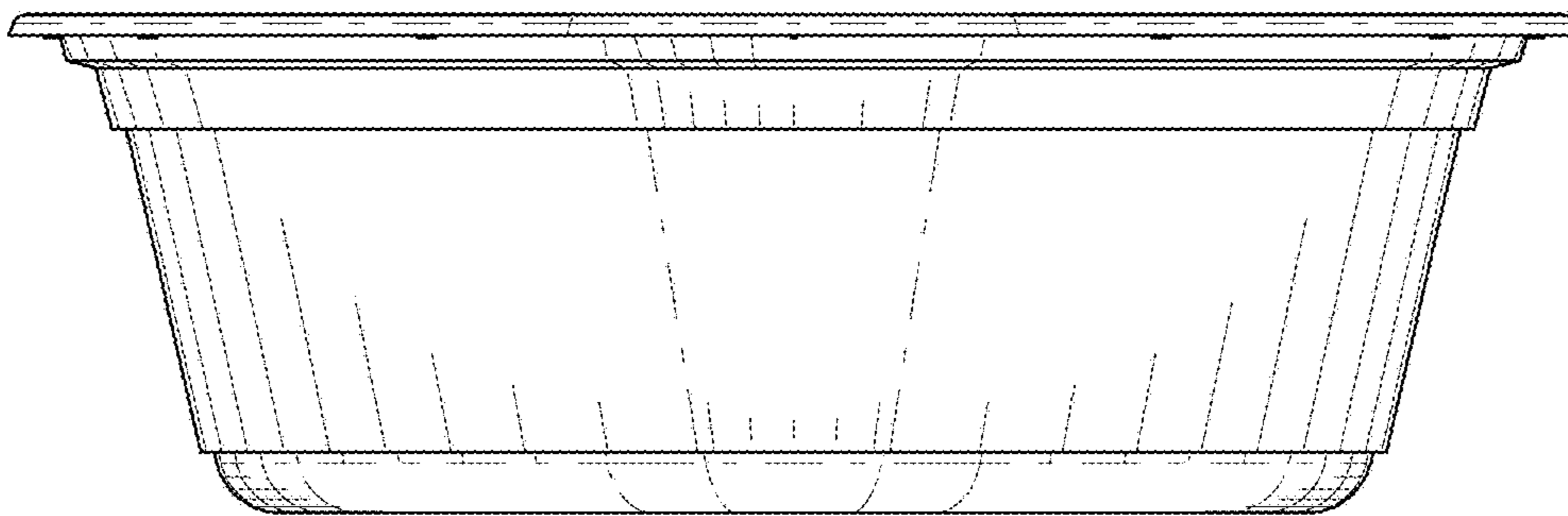


FIG. 17

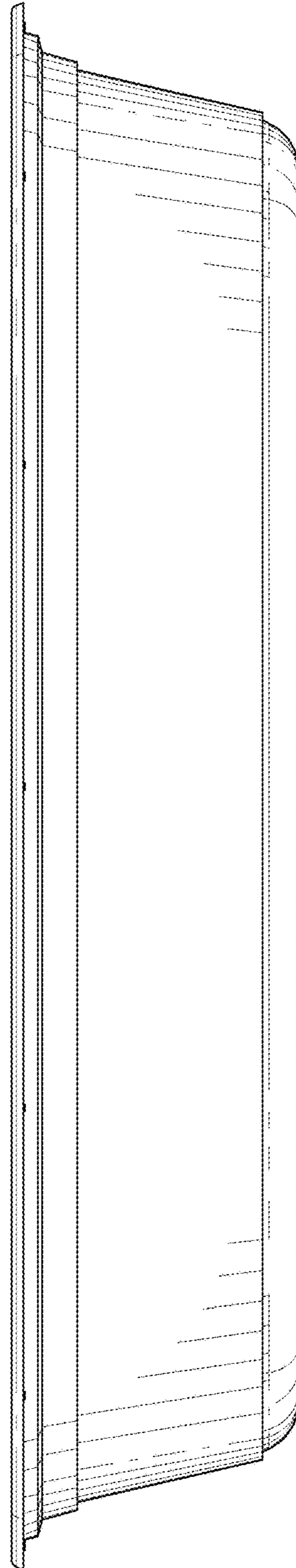


FIG. 18

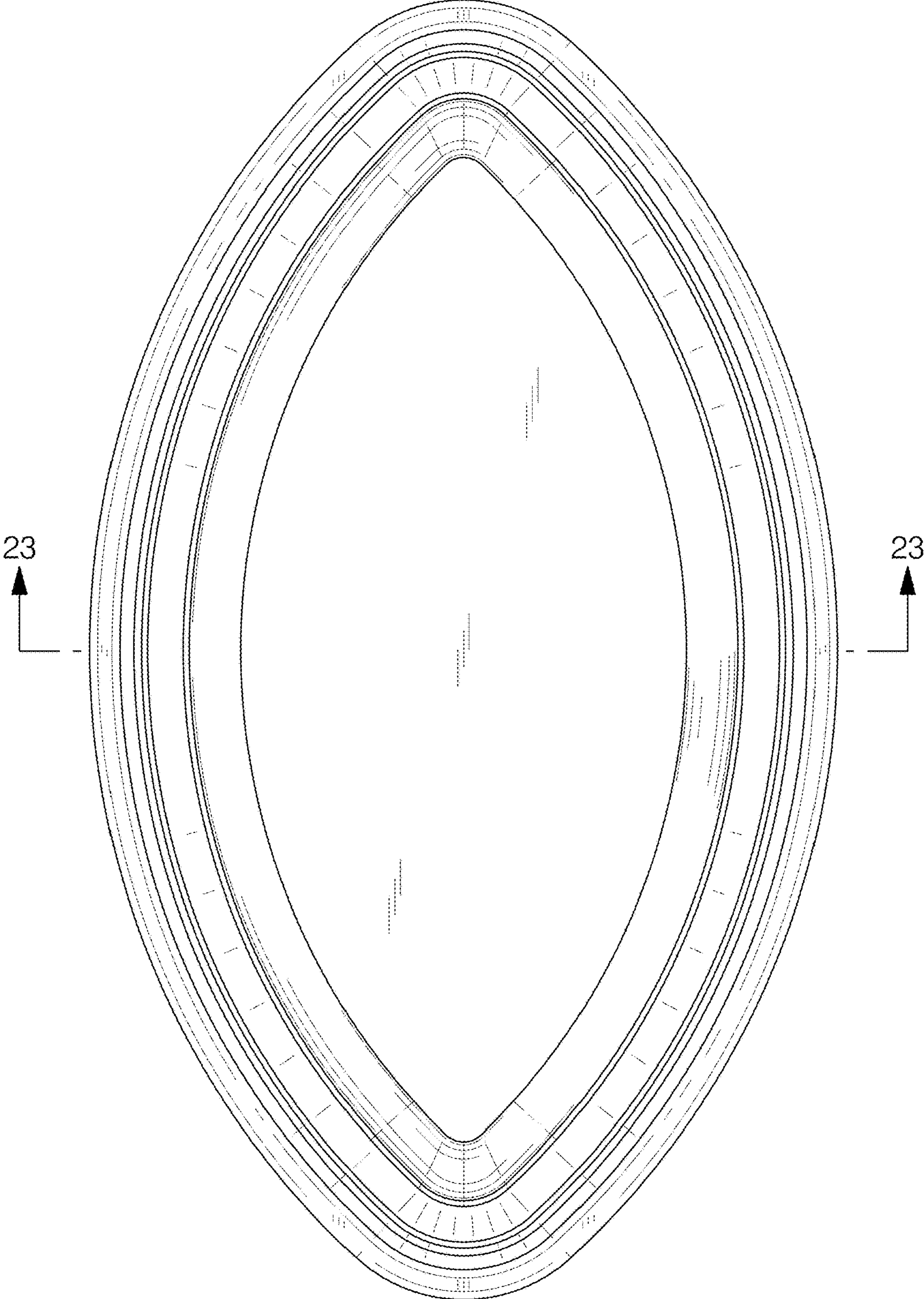


FIG. 19

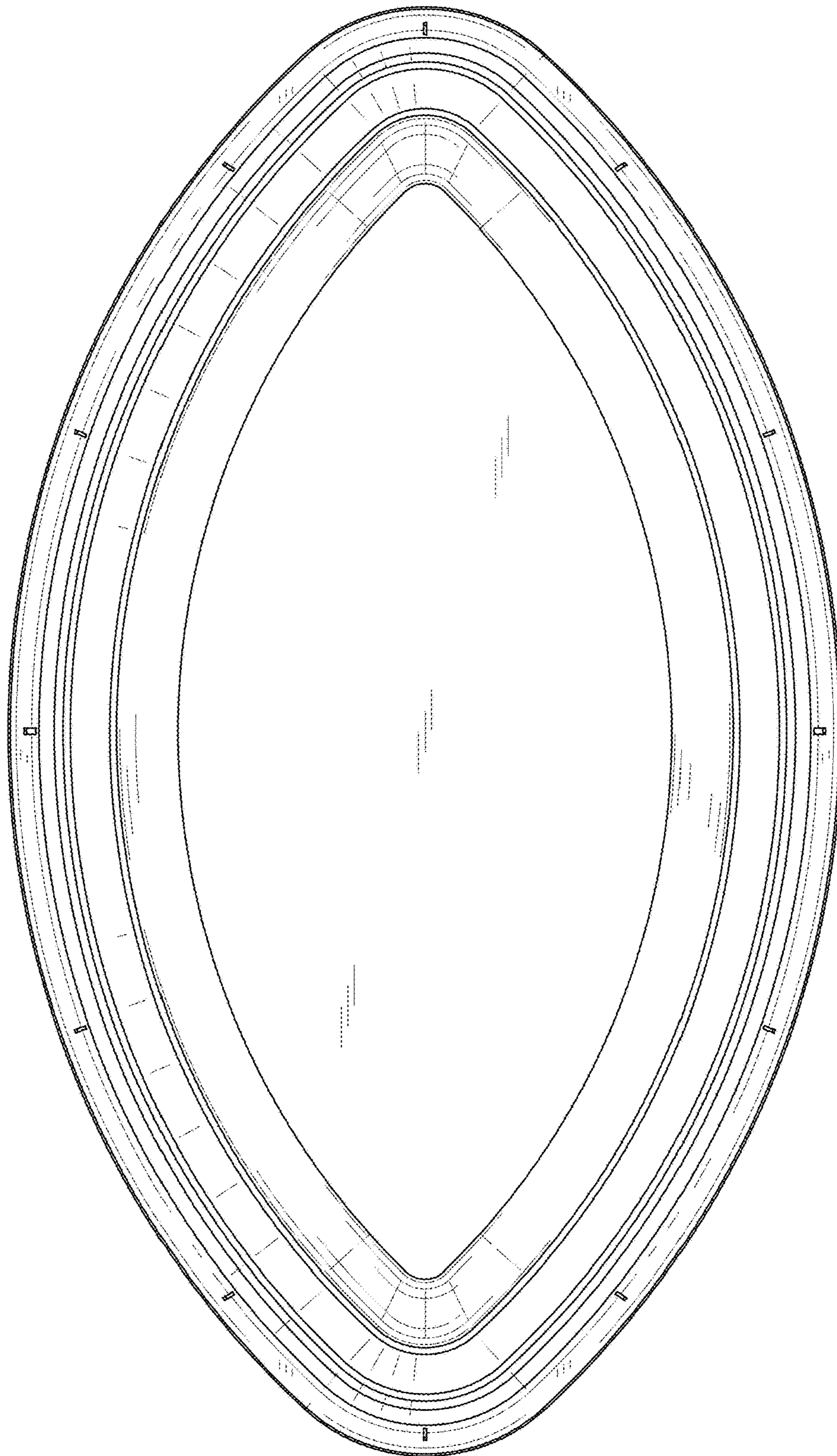


FIG. 20

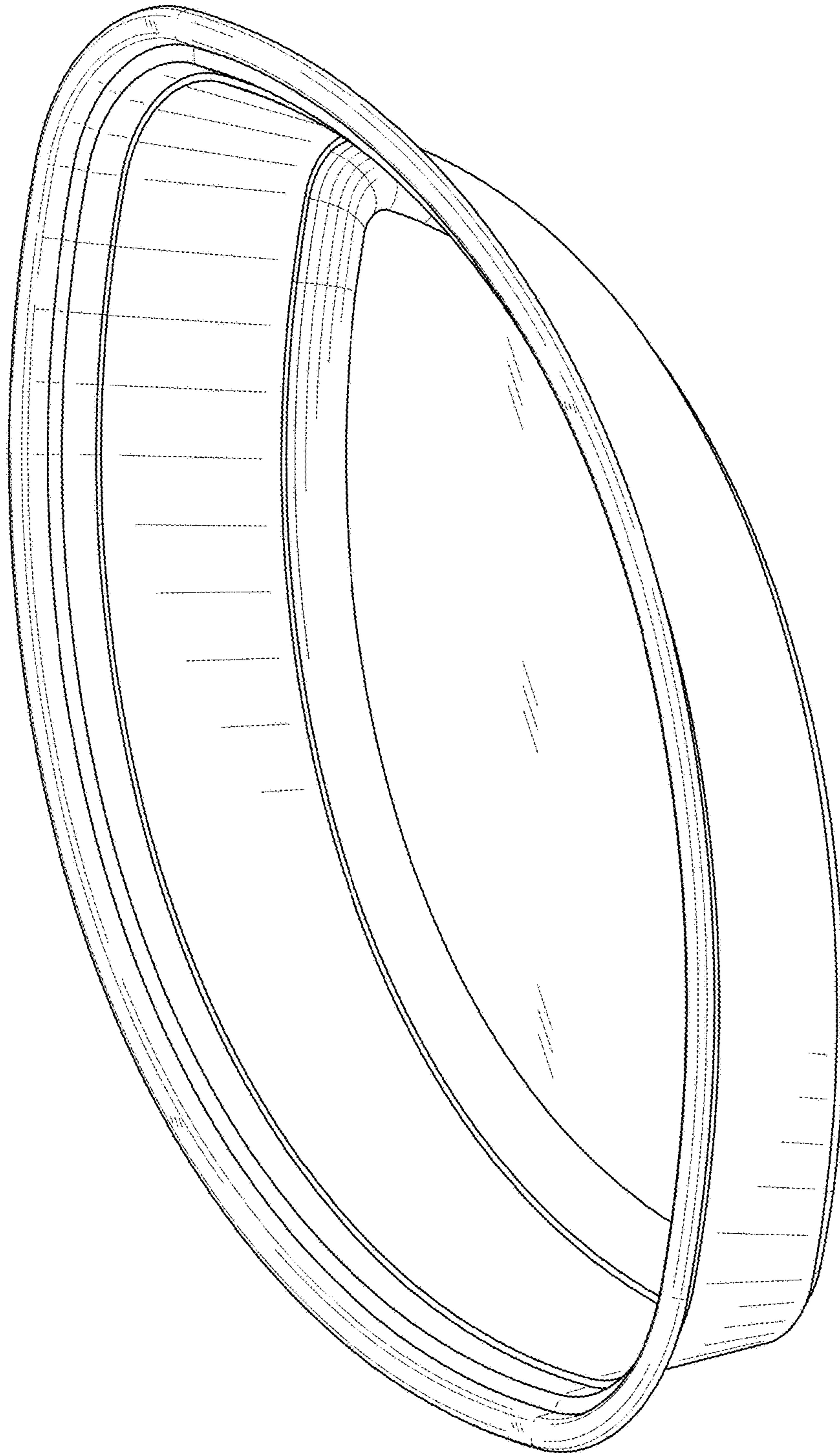


FIG. 21

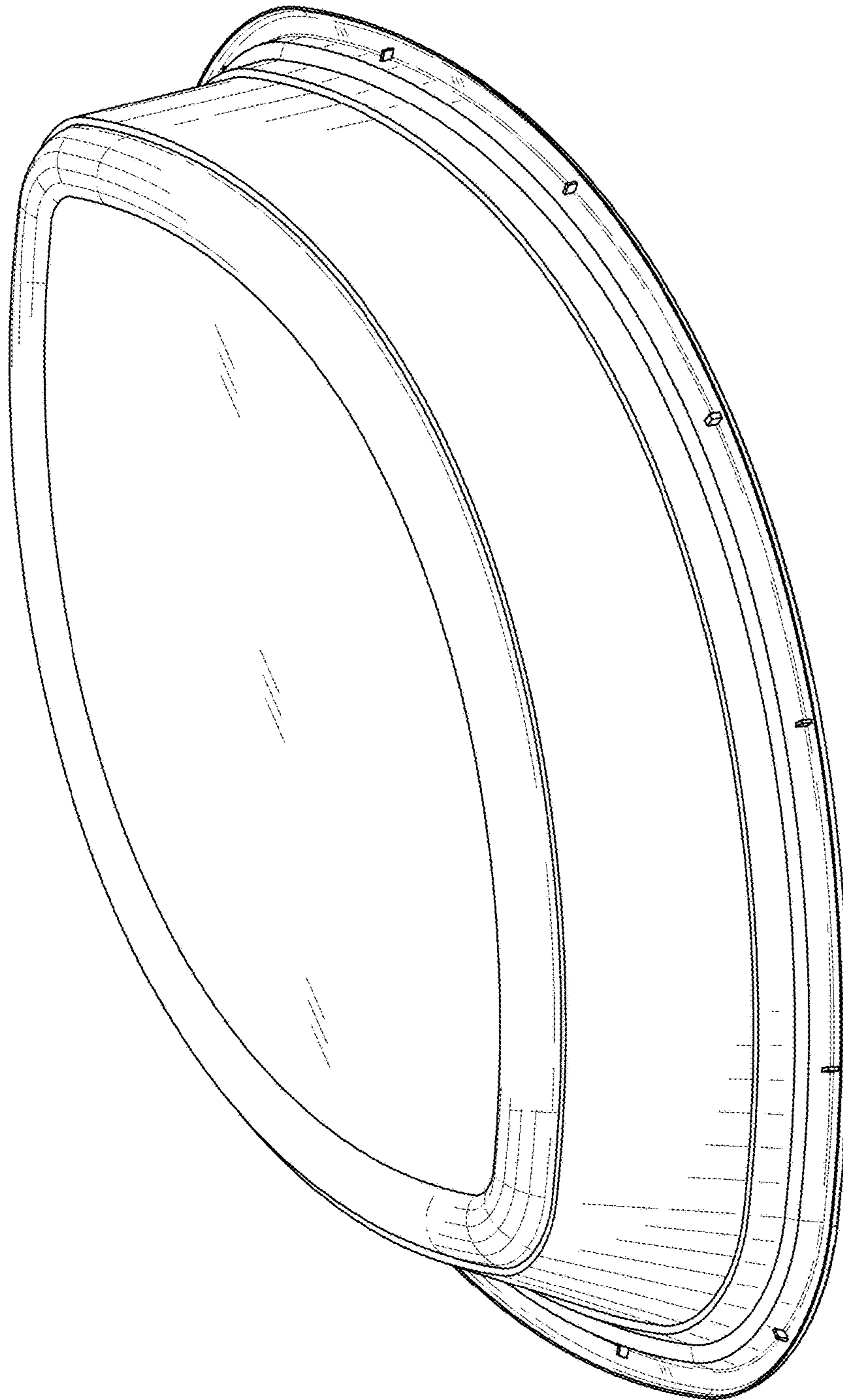


FIG. 22

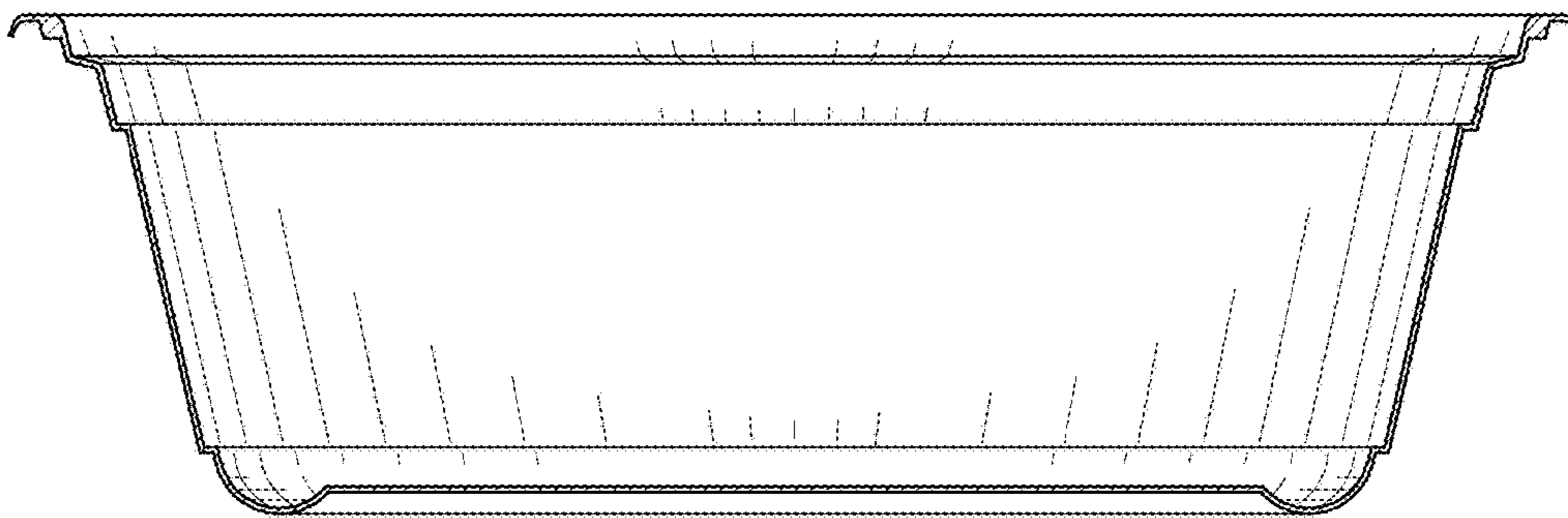


FIG. 23