



US00D858210S

(12) **United States Design Patent**  
**Beal**

(10) **Patent No.:** **US D858,210 S**

(45) **Date of Patent:** **\*\* Sep. 3, 2019**

(54) **INSULATED RECEPTACLE**

(71) Applicant: **Kevin R Beal**, Houston, TX (US)

(72) Inventor: **Kevin R Beal**, Houston, TX (US)

(\*\*) Term: **15 Years**

(21) Appl. No.: **29/651,233**

(22) Filed: **Feb. 20, 2018**

(51) **LOC (12) Cl.** ..... **07-01**

(52) **U.S. Cl.**

USPC ..... **D7/605**

(58) **Field of Classification Search**

USPC ..... D7/605-608, 709, 710; D12/423, 424;  
D15/81

CPC ..... B65D 81/3888; B65D 81/38;  
B65D 81/3813; B65D 81/3816; B65D  
81/3818; B65D 81/3823; B65D 81/3858;  
A45C 11/20; A45C 5/14; A45C 5/03;  
A45C 9/00; A45F 3/46; F25D 3/02; F25D  
3/04; F25D 3/06; F25D 3/08; F25D 3/11;  
F25D 3/14; A47B 77/08; A47J 41/022;  
A47G 19/2288; B26B 3/003

See application file for complete search history.

(56) **References Cited**

**U.S. PATENT DOCUMENTS**

D322,198 S \* 12/1991 Dringenburg ..... D34/19  
5,407,218 A \* 4/1995 Jackson ..... A45C 5/14  
280/30  
5,465,985 A \* 11/1995 Devan ..... A45C 5/146  
280/30  
D368,207 S \* 3/1996 Januzzi ..... D7/605

D445,145 S \* 7/2001 Yang ..... D21/423  
D454,377 S \* 3/2002 Hsu ..... D21/423  
6,364,329 B1 \* 4/2002 Holub ..... A45C 5/14  
280/47.26  
D476,042 S \* 6/2003 Hsieh ..... D21/423  
D480,276 S \* 10/2003 Duart ..... D7/605  
6,755,428 B2 \* 6/2004 Butler ..... A45C 9/00  
224/547  
D516,869 S \* 3/2006 Beal ..... D21/423  
D534,771 S \* 1/2007 Zorn ..... D7/605  
D608,158 S \* 1/2010 Beal ..... D7/605

\* cited by examiner

*Primary Examiner* — Terry A Wallace

(57) **CLAIM**

The ornamental design for an insulated receptacle, as shown.

**DESCRIPTION**

Portions of the disclosure of this patent document contain material that is subject to copyright protection. The copyright owner has no objection to the facsimile reproduction by anyone of the patent document or the patent disclosure as it appears in the Patented and Trademark Office file or records, but otherwise reserves all copyright rights whatsoever.

FIG. 1 is a perspective view of the insulated receptacle showing my new design.

FIG. 2 is a left side view thereof.

FIG. 3 is a right side view thereof.

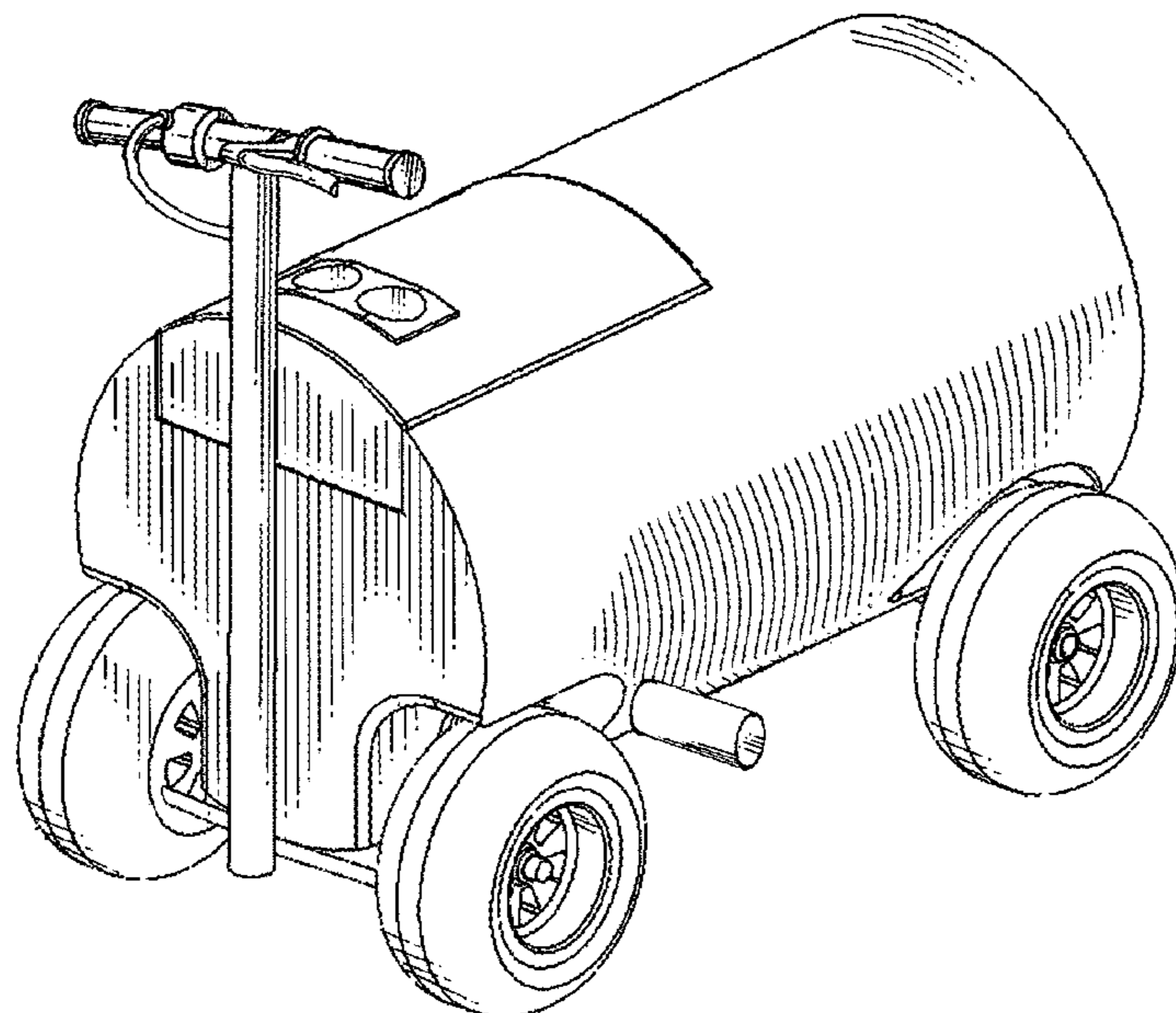
FIG. 4 is a top plan view thereof.

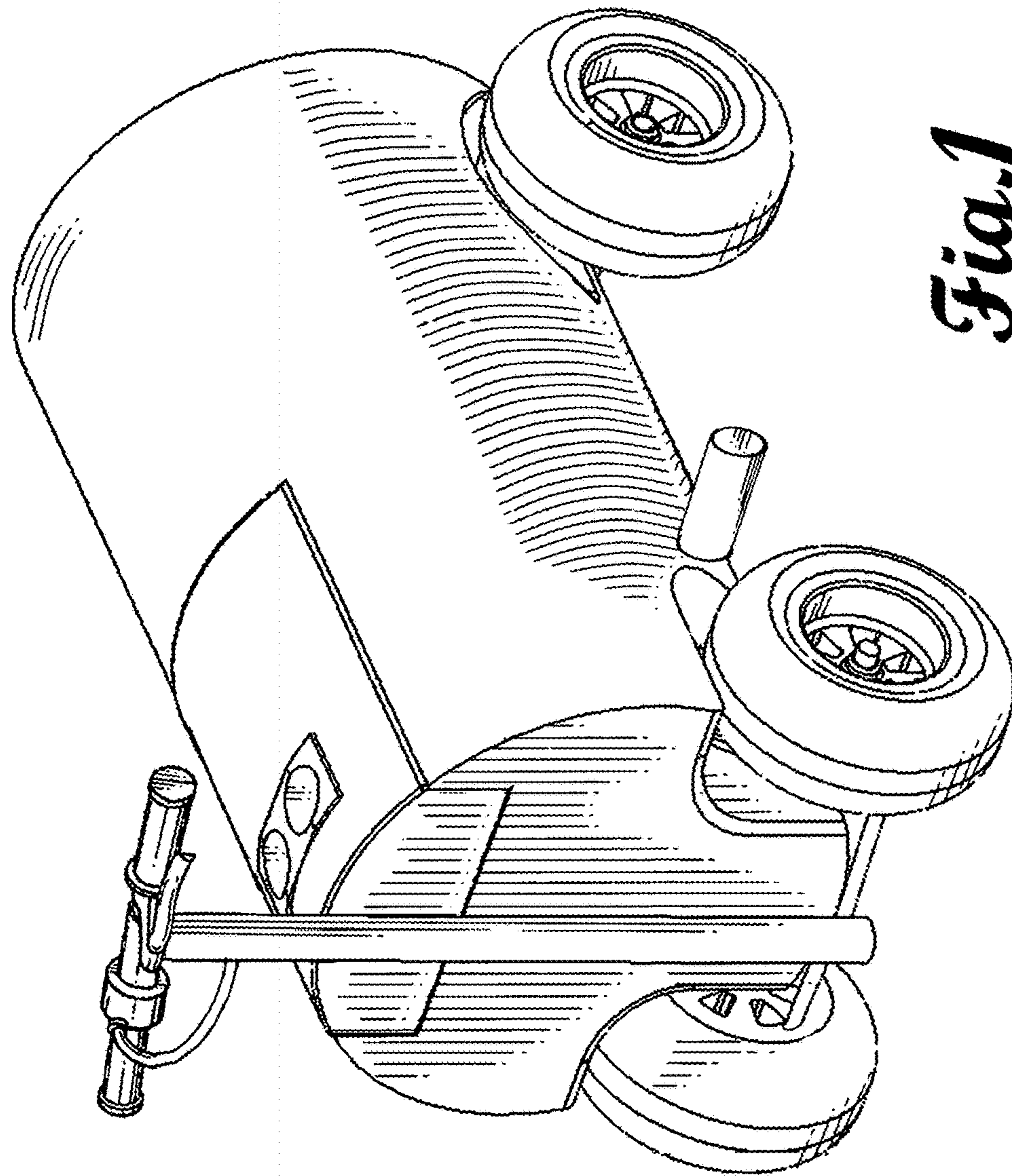
FIG. 5 is a bottom plan view thereof.

FIG. 6 is a front view thereof; and,

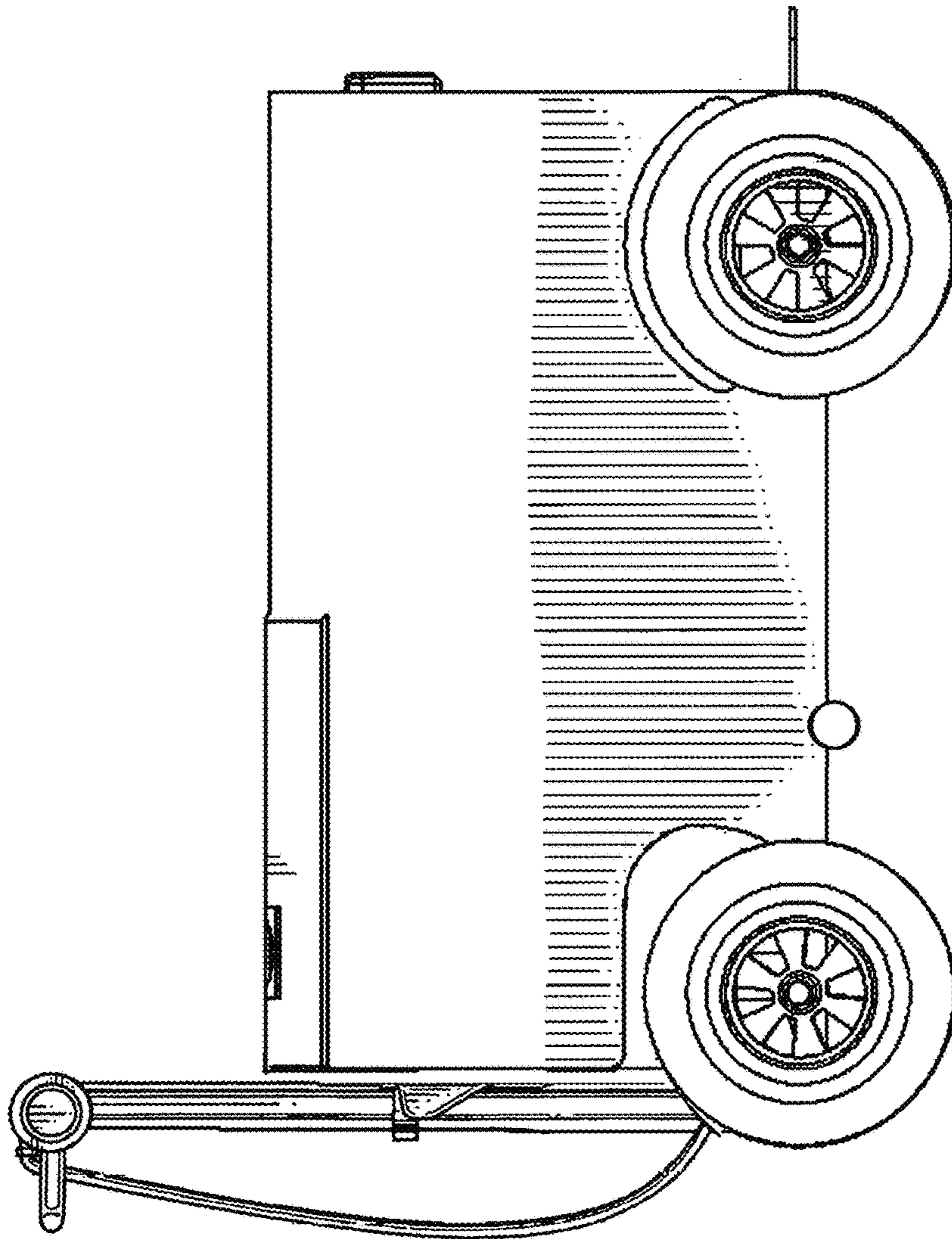
FIG. 7 is a rear view thereof.

**1 Claim, 7 Drawing Sheets**

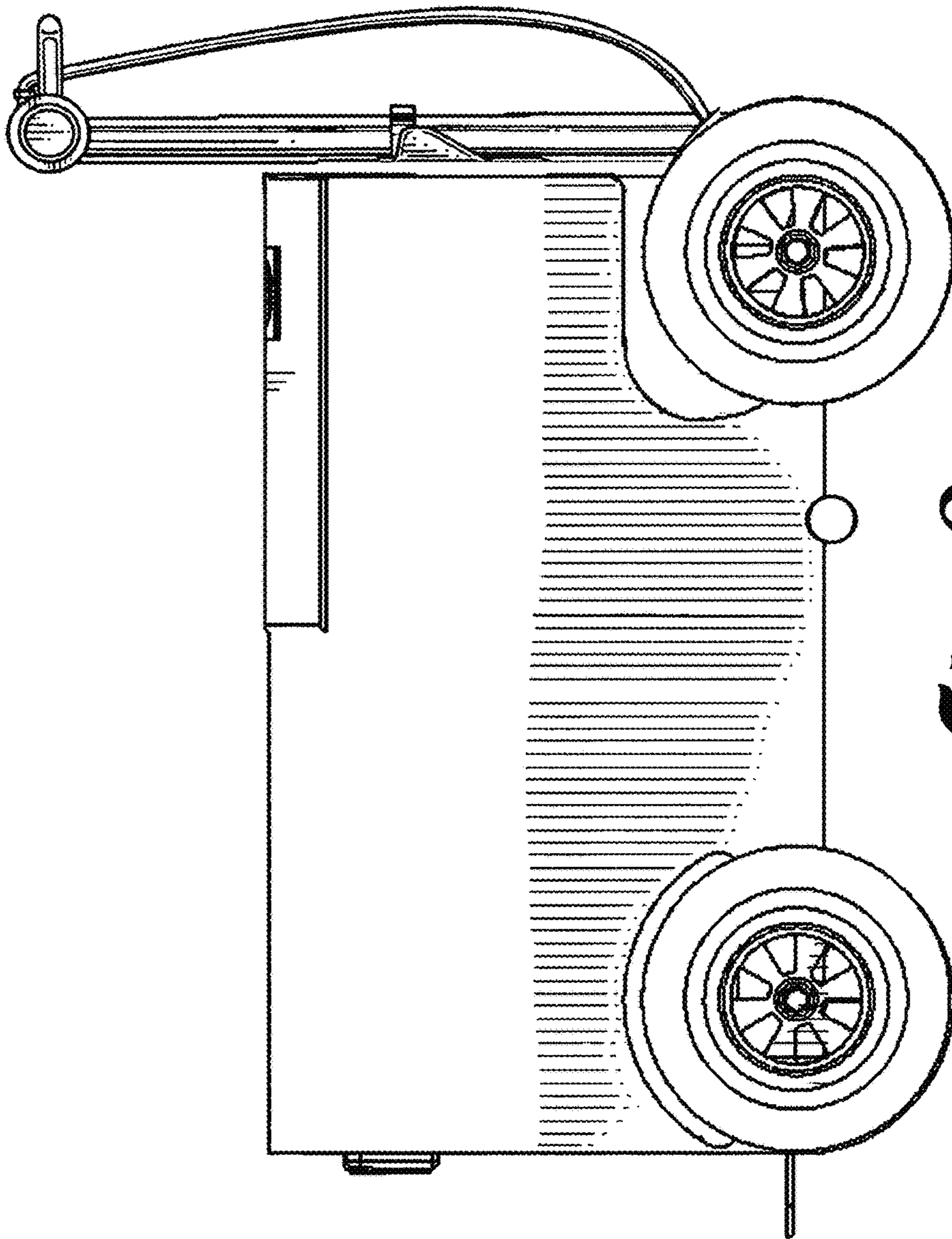




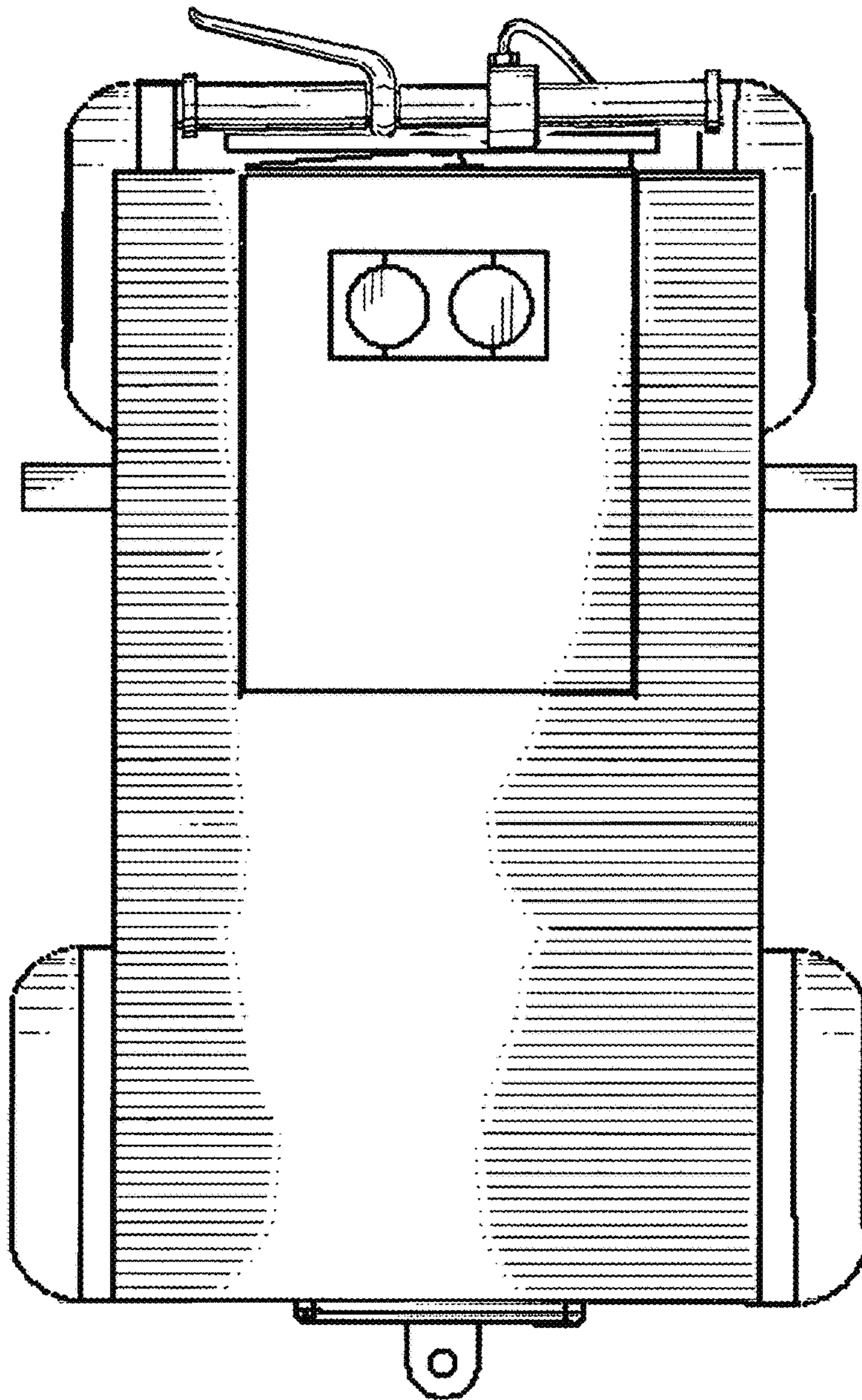
*Fig. 1*



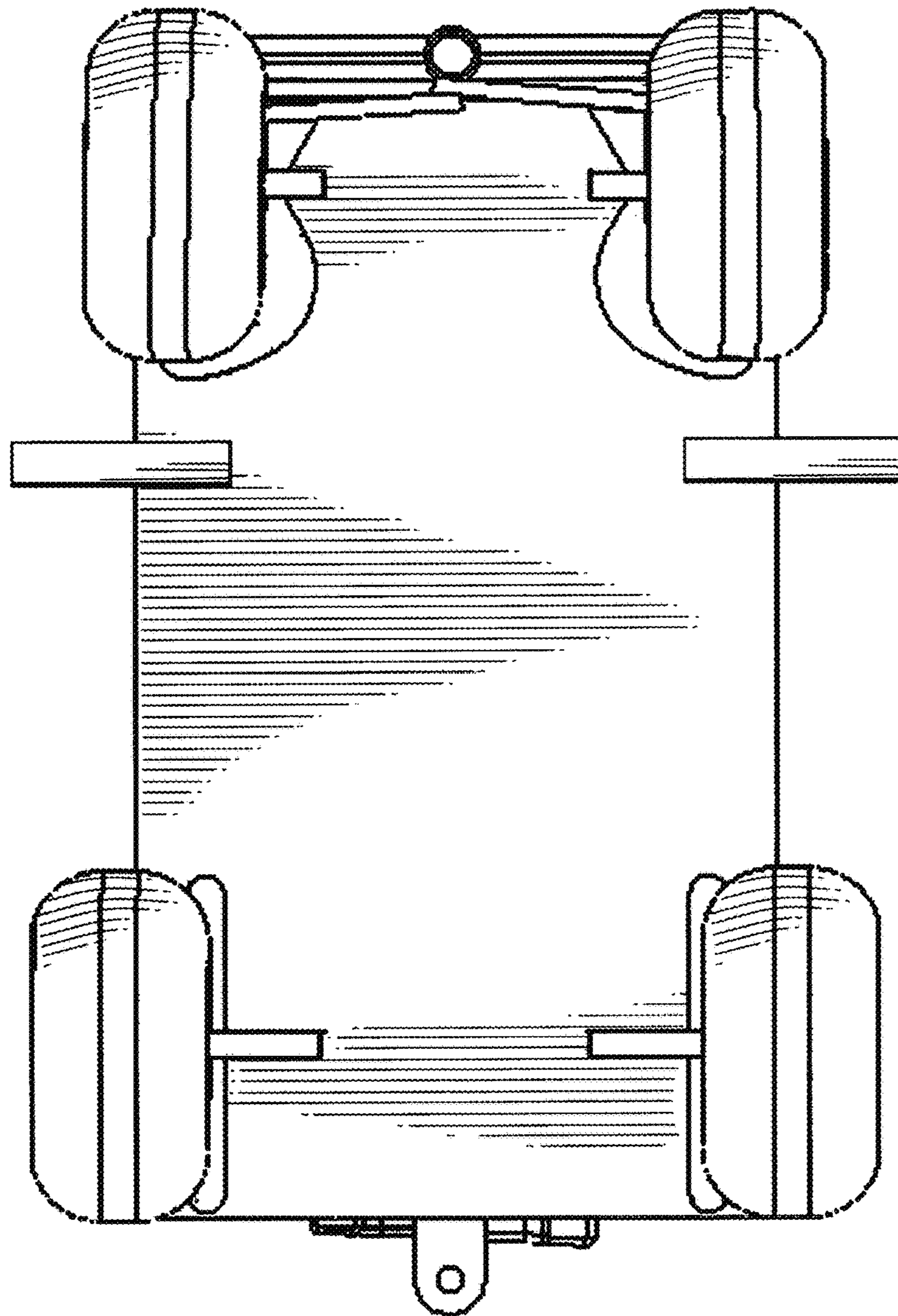
*Fig. 2*



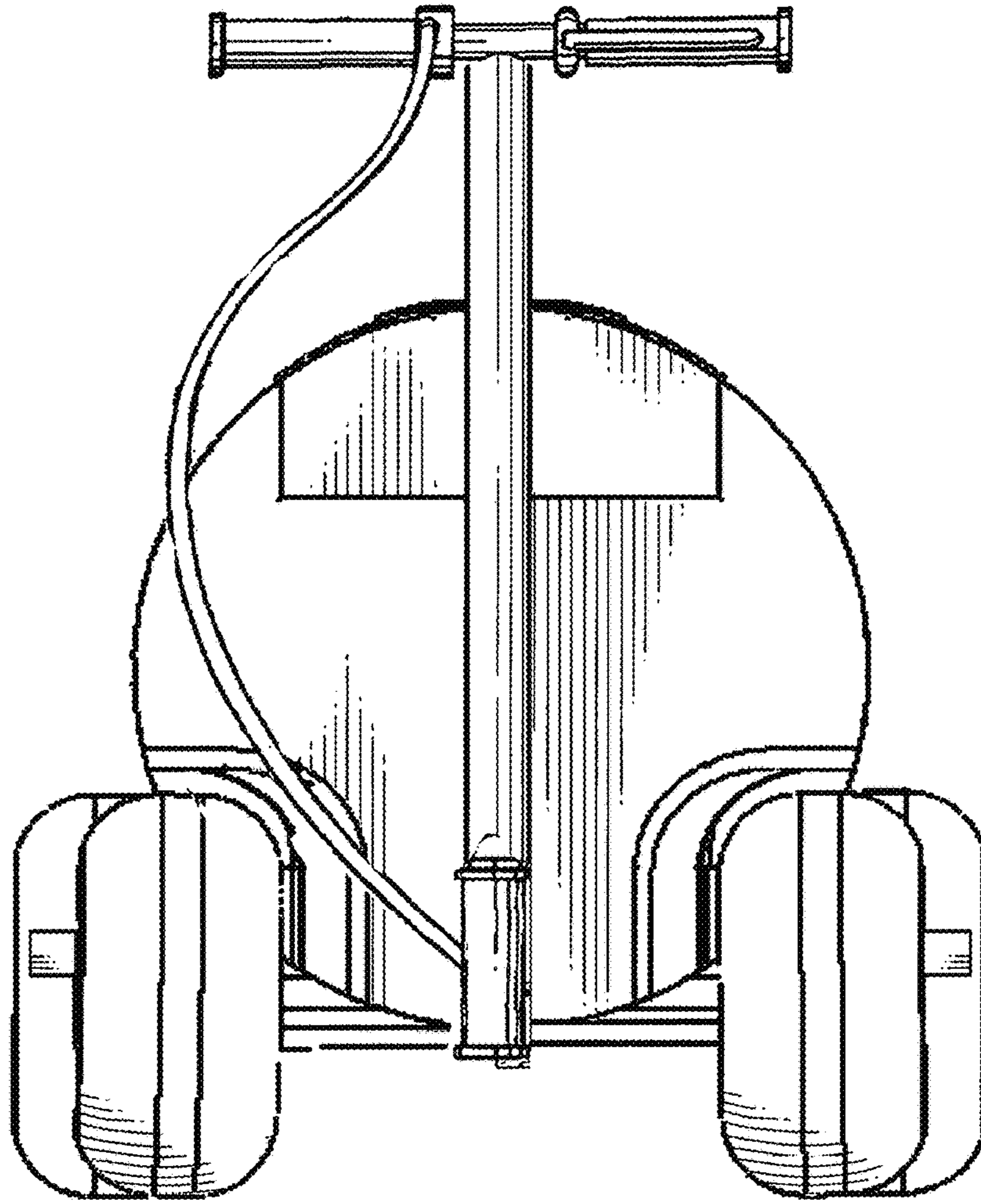
*Fig. 3*



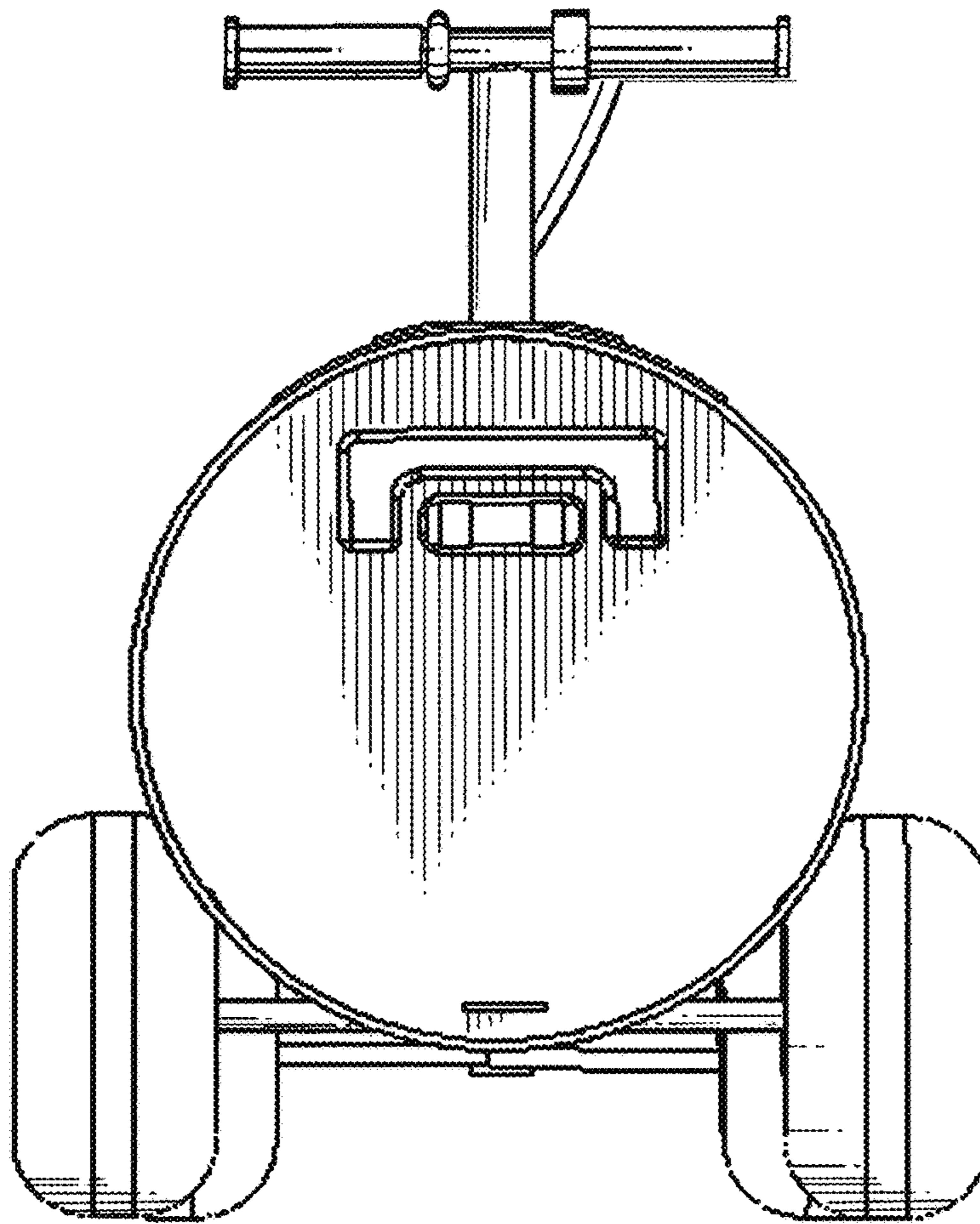
*Fig. 4*



*Fig. 5*



*Fig. 6*



*Fig. 7*