



US00D858209S

(12) **United States Design Patent** (10) **Patent No.:** **US D858,209 S**
Lee (45) **Date of Patent:** **** Sep. 3, 2019**

(54) **COOLER**

(71) Applicant: **JBL INTERNATIONAL, INC.**,
Houston, TX (US)

(72) Inventor: **Justin Lee**, Houston, TX (US)

(73) Assignee: **JBL INTERNATIONAL, INC.**,
Houston, TX (US)

(**) Term: **15 Years**

(21) Appl. No.: **29/644,999**

(22) Filed: **Apr. 23, 2018**

(51) **LOC (12) Cl.** **07-01**

(52) **U.S. Cl.**
USPC **D7/605**

(58) **Field of Classification Search**
USPC D7/605–608, 629, 630, 709, 710;
D3/272–274; D6/663, 664
CPC B65D 81/3888; B65D 81/38; B65D
81/3813; B65D 81/3816; B65D 81/3818;
B65D 81/3823; B65D 81/3858; A45C
11/20; A45C 5/14; A45C 5/03; A45C
9/00; A45F 3/46; F25D 3/02; F25D 3/04;
F25D 3/06; F25D 3/08; F25D 3/11; F25D
3/14; F25D 2331/804; F25D 31/005;
A47B 77/08; A47J 41/022; A47G
19/2288; B26B 3/003; F25B 19/00

See application file for complete search history.

(56) **References Cited**

U.S. PATENT DOCUMENTS

D429,115 S *	8/2000	Mount	D7/605
D437,736 S *	2/2001	Moffett, III	D7/605
D580,231 S *	11/2008	Lee	D6/667
D580,232 S *	11/2008	Lee	D7/606
D591,562 S *	5/2009	Lee	D7/606
D632,929 S *	2/2011	Lee	D7/606
D807,706 S *	1/2018	Lee	D7/605

* cited by examiner

Primary Examiner — Terry A Wallace

(74) *Attorney, Agent, or Firm* — Egbert Law Offices,
PLLC

(57) **CLAIM**

The ornamental design for a cooler, as shown and described.

DESCRIPTION

FIG. 1 is a perspective view of a cooler showing my new design.

FIG. 2 is a front view thereof;

FIG. 3 is a rear view thereof;

FIG. 4 is a side view thereof;

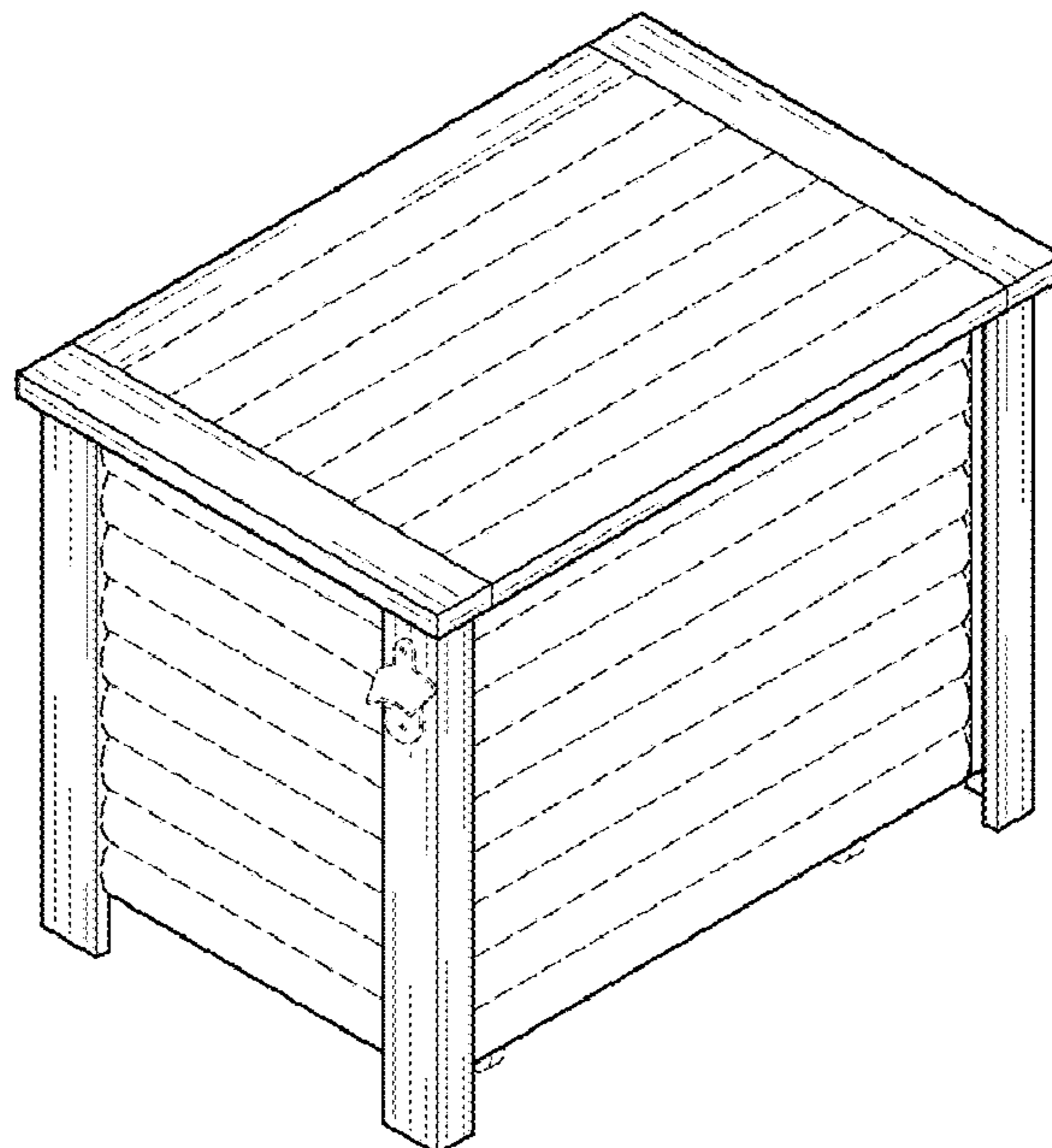
FIG. 5 is an opposite side view thereof;

FIG. 6 is a top view thereof;

FIG. 7 is a bottom view thereof; and,

FIG. 8 is a perspective view of the cooler in an open state. The features presented in broken lines represent unclaimed portions of the cooler and form no part of the claimed design.

1 Claim, 2 Drawing Sheets



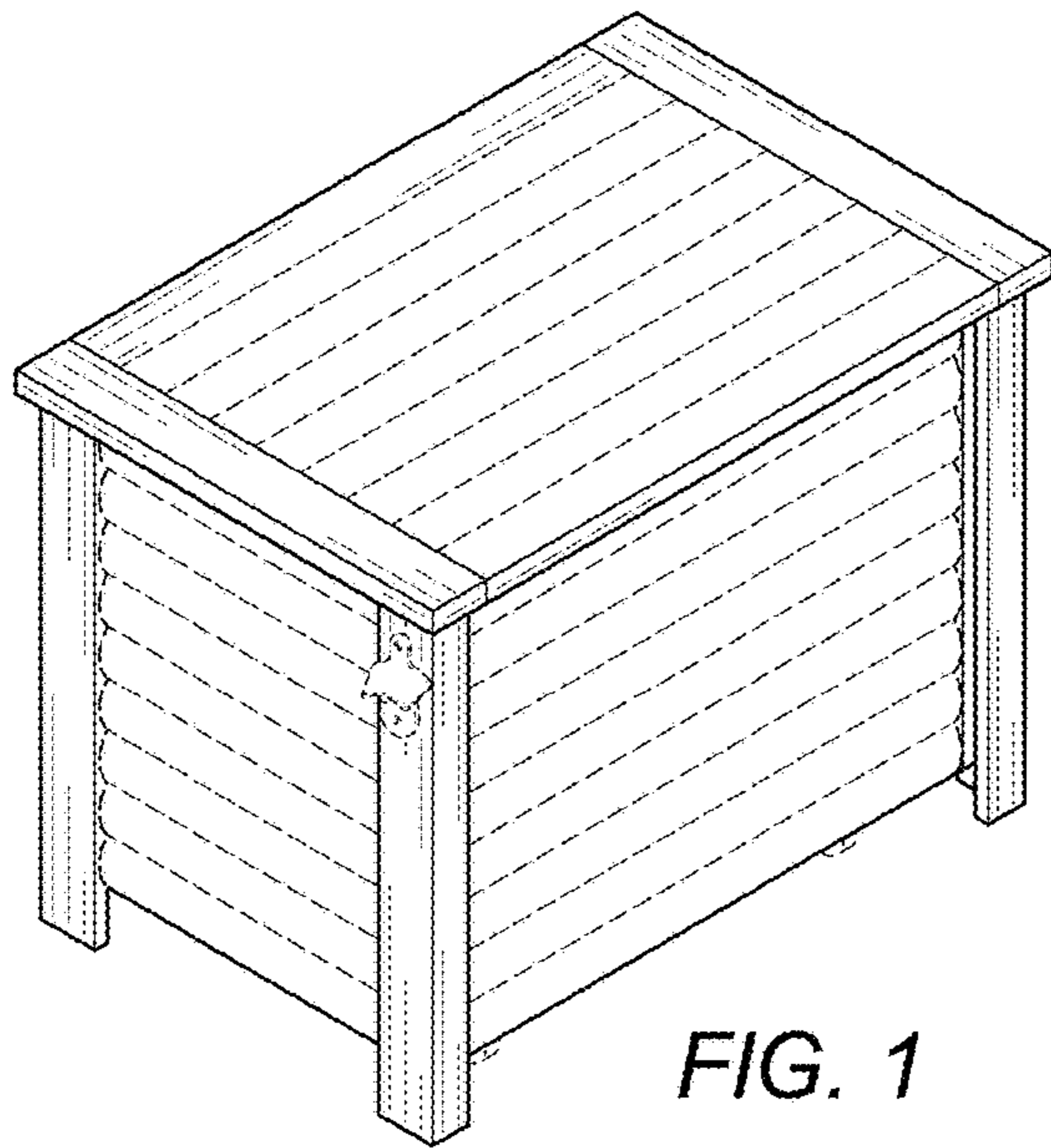


FIG. 1

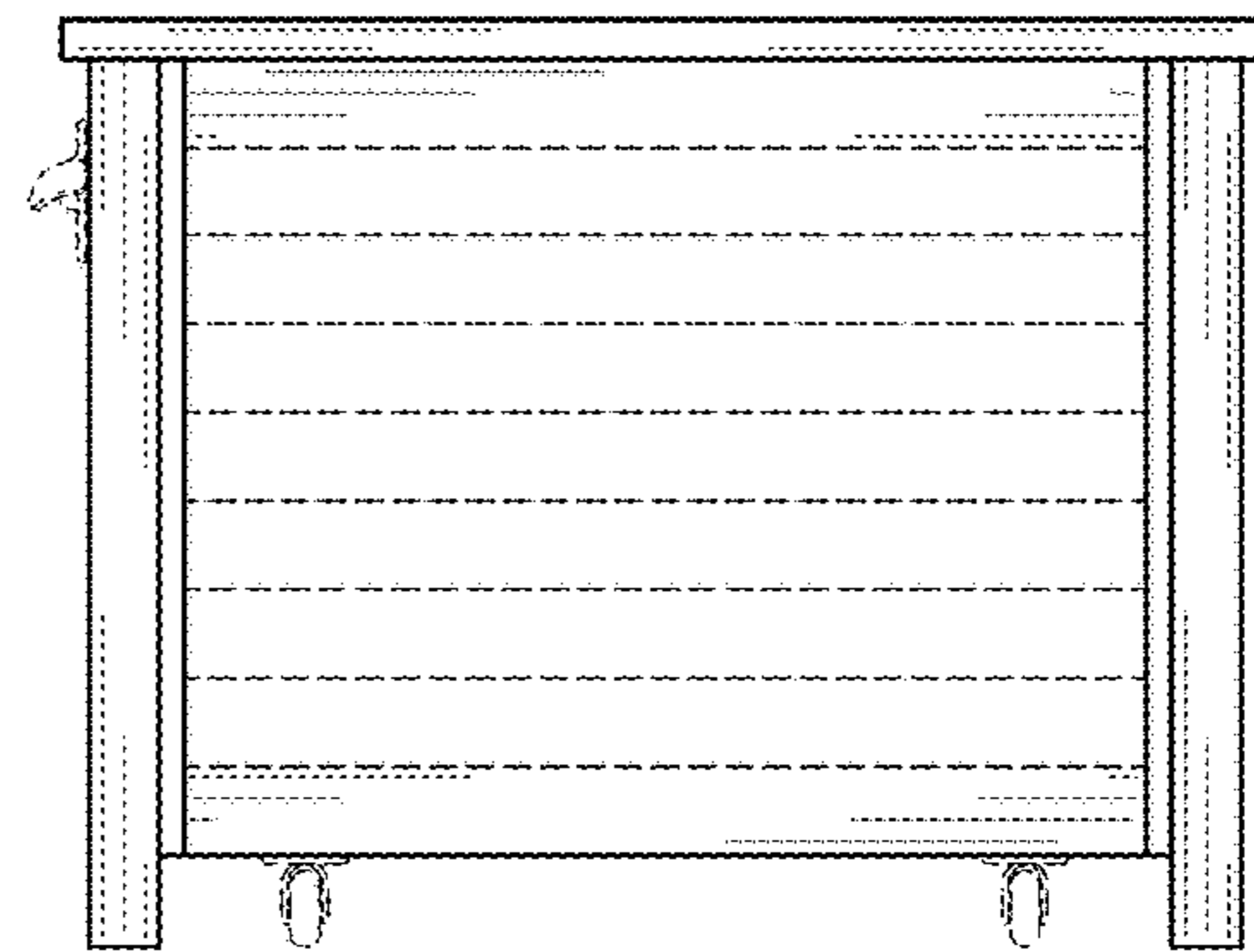


FIG. 2

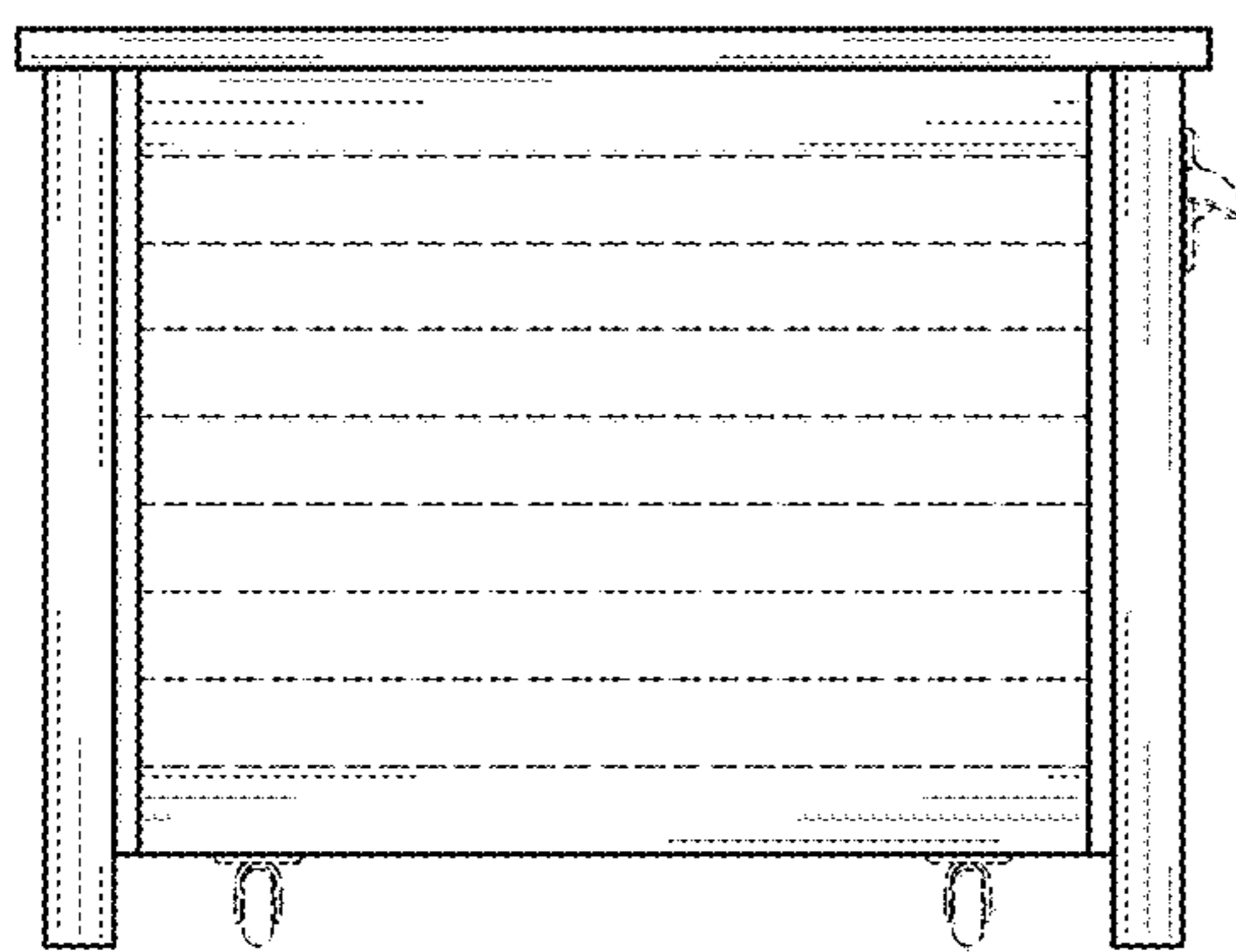


FIG. 3

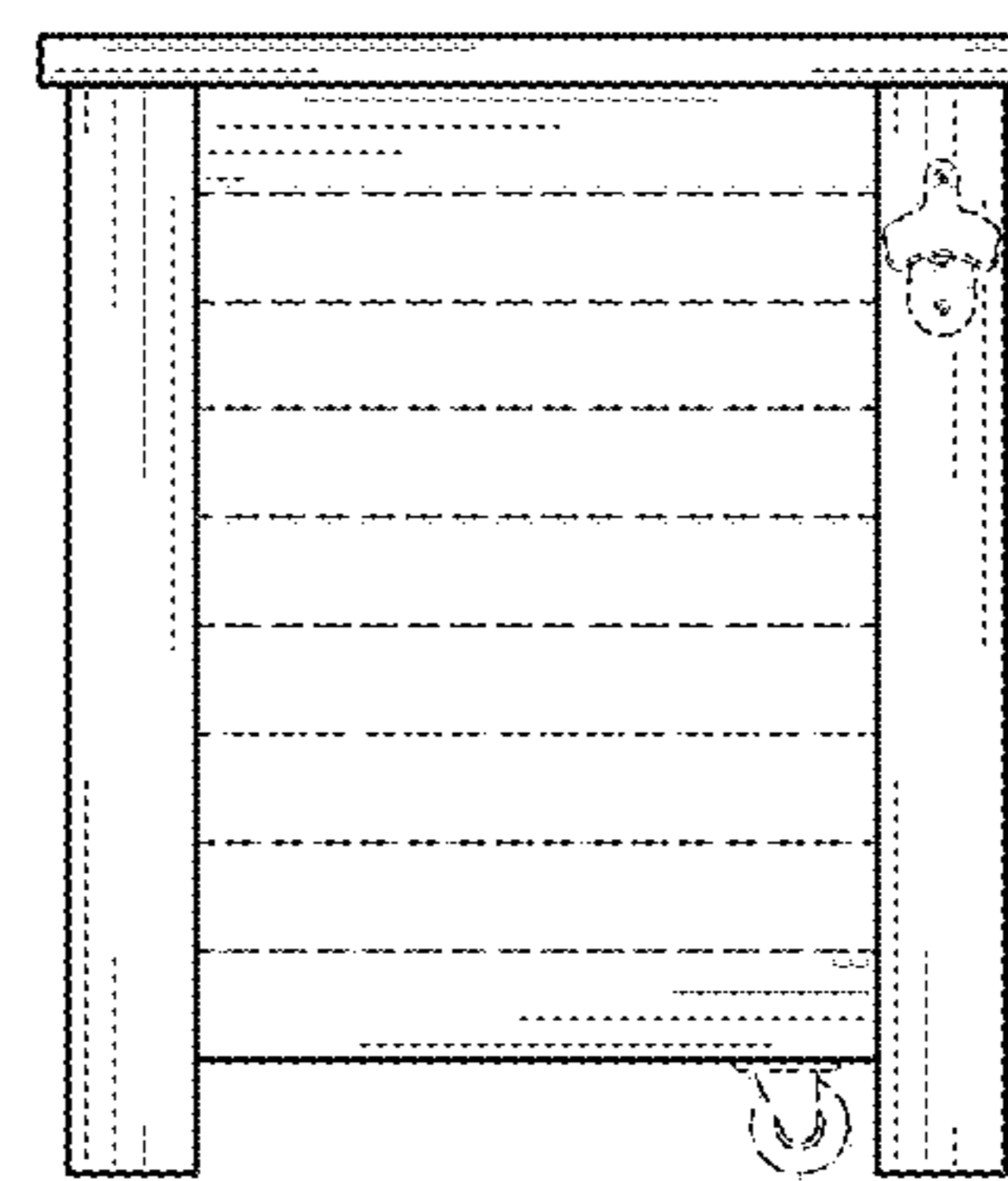


FIG. 4

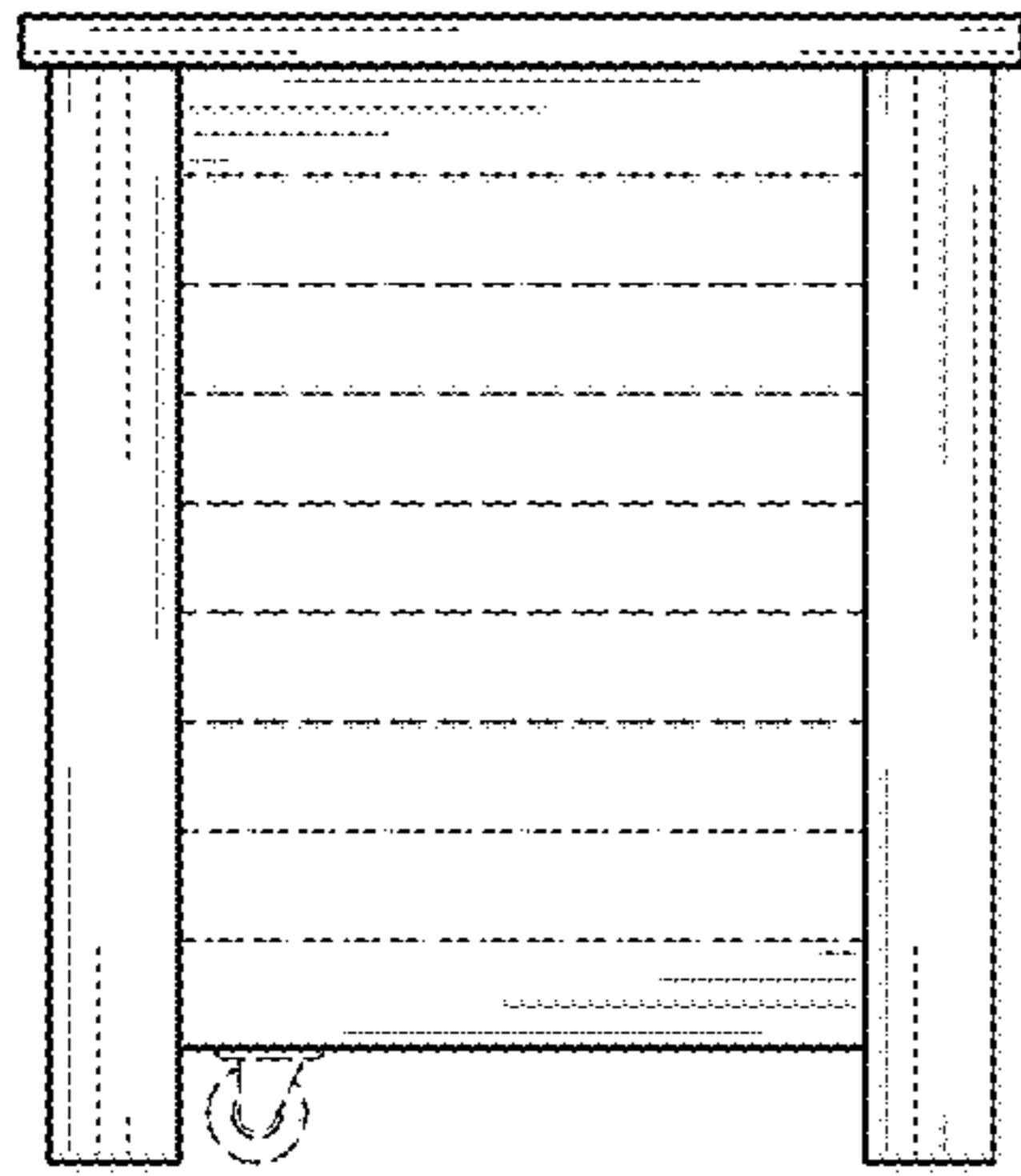


FIG. 5

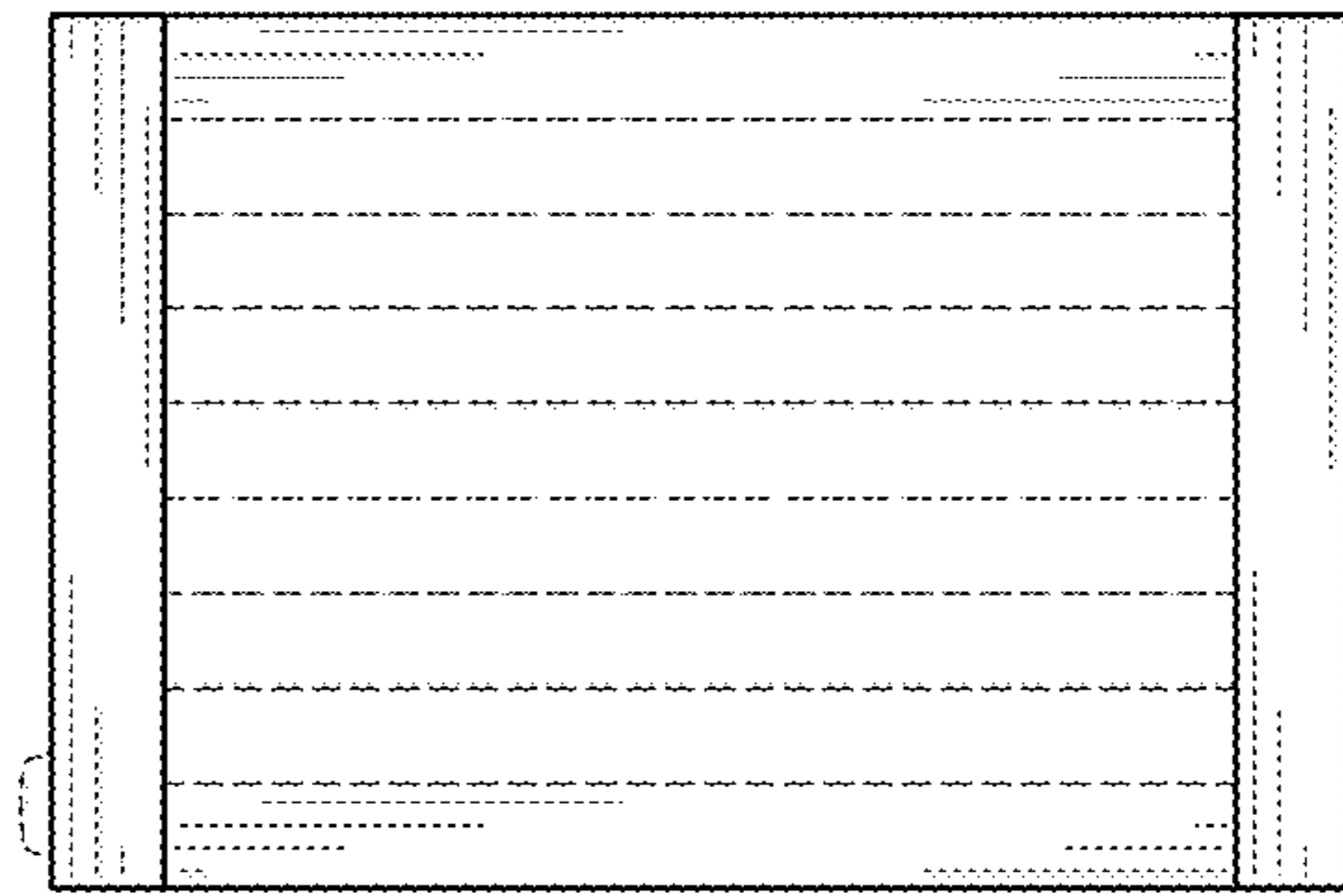


FIG. 6

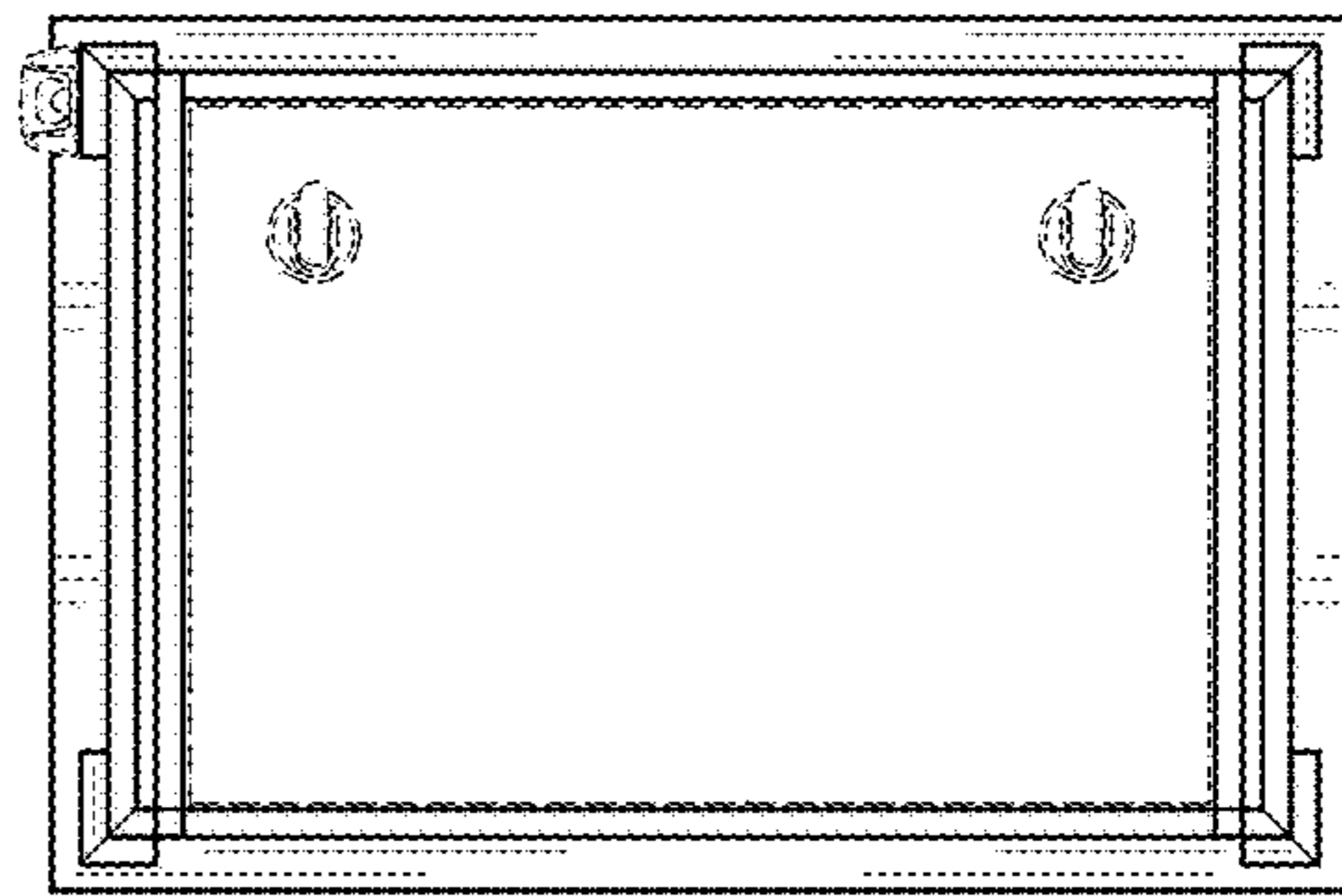


FIG. 7

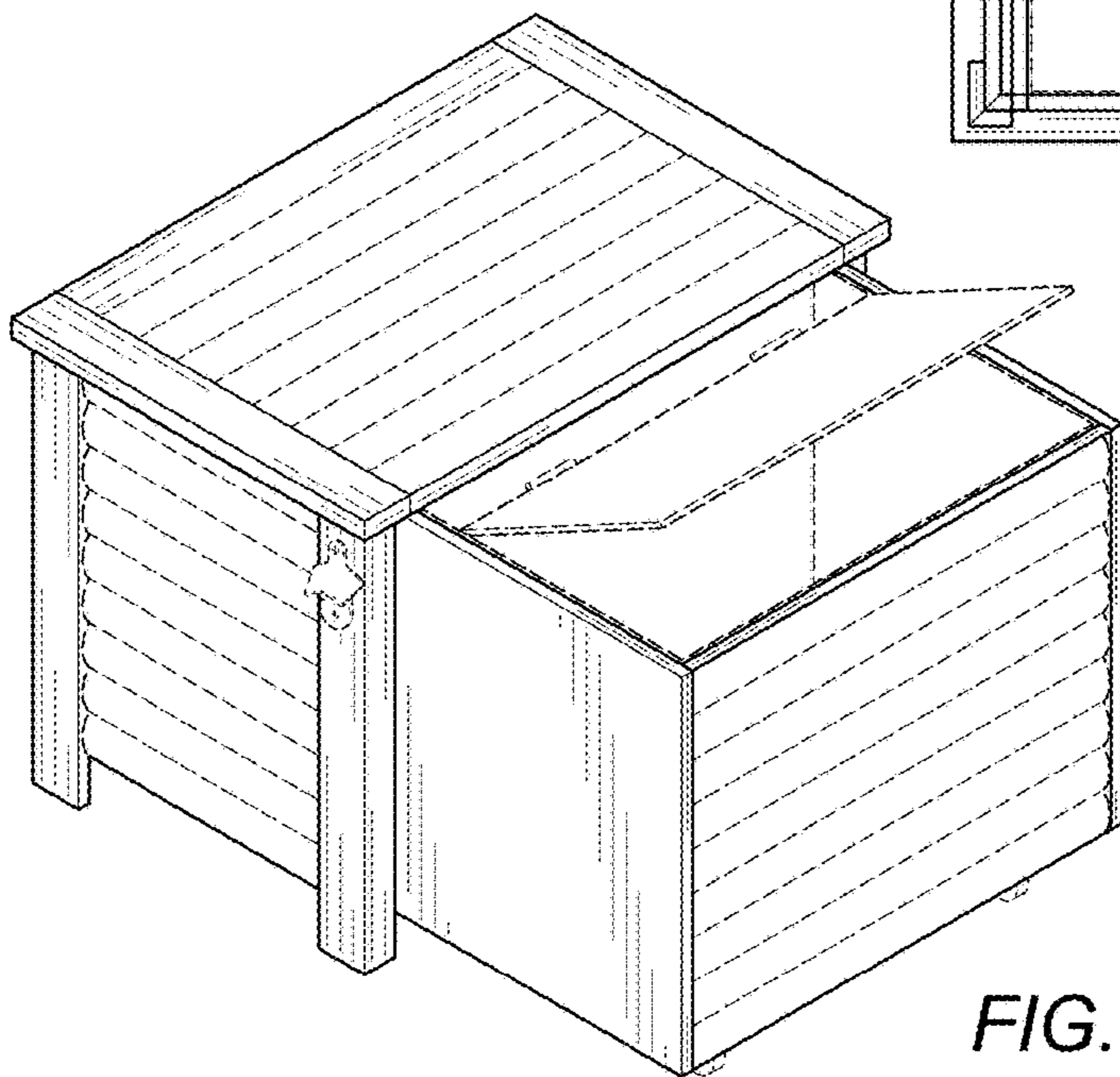


FIG. 8