



US00D858205S

(12) **United States Design Patent** (10) **Patent No.:** **US D858,205 S**
Manos (45) **Date of Patent:** **** Sep. 3, 2019**

(54) **PLATE**
(71) Applicant: **Gregory C Manos**, Riverside, CA (US)
(72) Inventor: **Gregory C Manos**, Riverside, CA (US)
(**) Term: **15 Years**
(21) Appl. No.: **29/646,518**
(22) Filed: **May 4, 2018**
(51) **LOC (12) Cl.** **07-01**
(52) **U.S. Cl.**
USPC **D7/553.8**
(58) **Field of Classification Search**
USPC D7/396.4, 501, 505, 571, 541-543, 545,
D7/546, 549, 552.1, 553, 553.1, 553.5,
D7/553.6, 553.8, 554.2, 555, 566;
D9/424, 716, 719, 738-740, 744-745,
D9/759-760, 761
CPC . B65D 1/34; B65D 1/36; B65D 21/00; B65D
21/0209; B65D 21/0204; A47G 19/02;
A47J 19/06
See application file for complete search history.

6,264,026 B1 * 7/2001 Bradley A47G 19/065
206/217
D469,310 S 1/2003 Burkowski
D481,260 S * 10/2003 Bulcher D7/553.1
D496,828 S * 10/2004 Lackey D7/553.5
D508,373 S * 8/2005 Corrieri D7/553.6
D572,536 S 7/2008 Cox
D573,407 S 7/2008 Cox
D591,560 S * 5/2009 Lackey D12/419
D652,323 S * 1/2012 Clark D9/425
D654,764 S 2/2012 Murphy
D664,398 S * 7/2012 Zemel D7/553.1
D706,583 S 6/2014 Clark
D710,123 S * 8/2014 Wright D6/406.3
D729,588 S 5/2015 Breton
D732,344 S 6/2015 Clark
D735,531 S * 8/2015 Wilson D7/505

(Continued)

OTHER PUBLICATIONS

U.S. Appl. No. 29/640,320, filed Mar. 2018, Manos, Gregory.
(Continued)

Primary Examiner — Kelley A Donnelly
(74) *Attorney, Agent, or Firm* — John J. Connors;
Connors & Assoc. pc

(56) **References Cited**
U.S. PATENT DOCUMENTS

4,516,685 A 5/1985 French
D291,957 S * 9/1987 Stevens D7/505
D298,296 S * 11/1988 Washburn D7/553.6
D305,192 S * 12/1989 van Erkel A47G 19/06
D7/555
D336,187 S 6/1993 Hershkovitz
D336,217 S 6/1993 Picozza
D336,407 S 6/1993 Harding
D376,297 S * 12/1996 Jacobson D7/549
D393,181 S * 4/1998 Panta D7/549
D395,983 S * 7/1998 Panta Chica D7/549
D398,480 S 9/1998 Panta Chica
D404,218 S * 1/1999 Sussman D6/406.5
D410,820 S * 6/1999 Lofrano D7/507

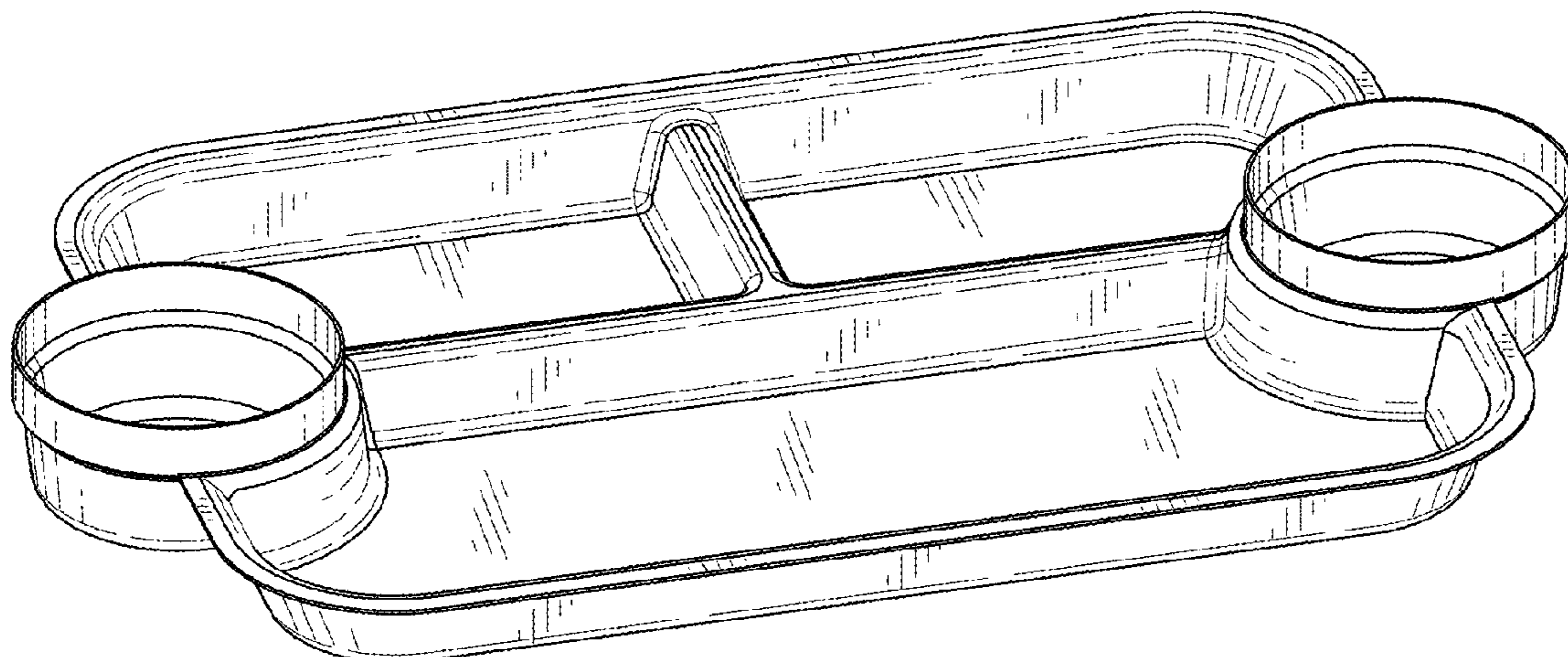
(57) **CLAIM**

The ornamental design for a plate, as shown and described.

DESCRIPTION

FIG. 1 is a perspective view of the plate according to my design;
FIG. 2 is a top plan view thereof;
FIG. 3 is a front elevation view thereof;
FIG. 4 is a bottom plan view thereof; and,
FIG. 5 is a right side elevation view thereof;
FIG. 6 is a left side elevation view thereof; and,
FIG. 7. is a back elevation view thereof.

1 Claim, 2 Drawing Sheets



(56)

References Cited

U.S. PATENT DOCUMENTS

D750,976 S * 3/2016 Tilahun D9/737
D786,621 S 5/2017 Davis
D791,544 S 7/2017 Dennis
D793,812 S 8/2017 Dennis
D809,232 S 1/2018 Wu
D822,506 S * 7/2018 Tilahun D9/761
D836,991 S * 1/2019 Wansink D7/553.5
D844,375 S * 4/2019 Hundley D7/391

OTHER PUBLICATIONS

U.S. Appl. No. 62/640,546, filed Mar. 2018, Manos, Gregory.
U.S. Appl. No. 29/646,518, filed May 2018, Manos, Gregory.
U.S. Appl. No. 29/645,184, filed Apr. 2018, Manos, Gregory.

* cited by examiner

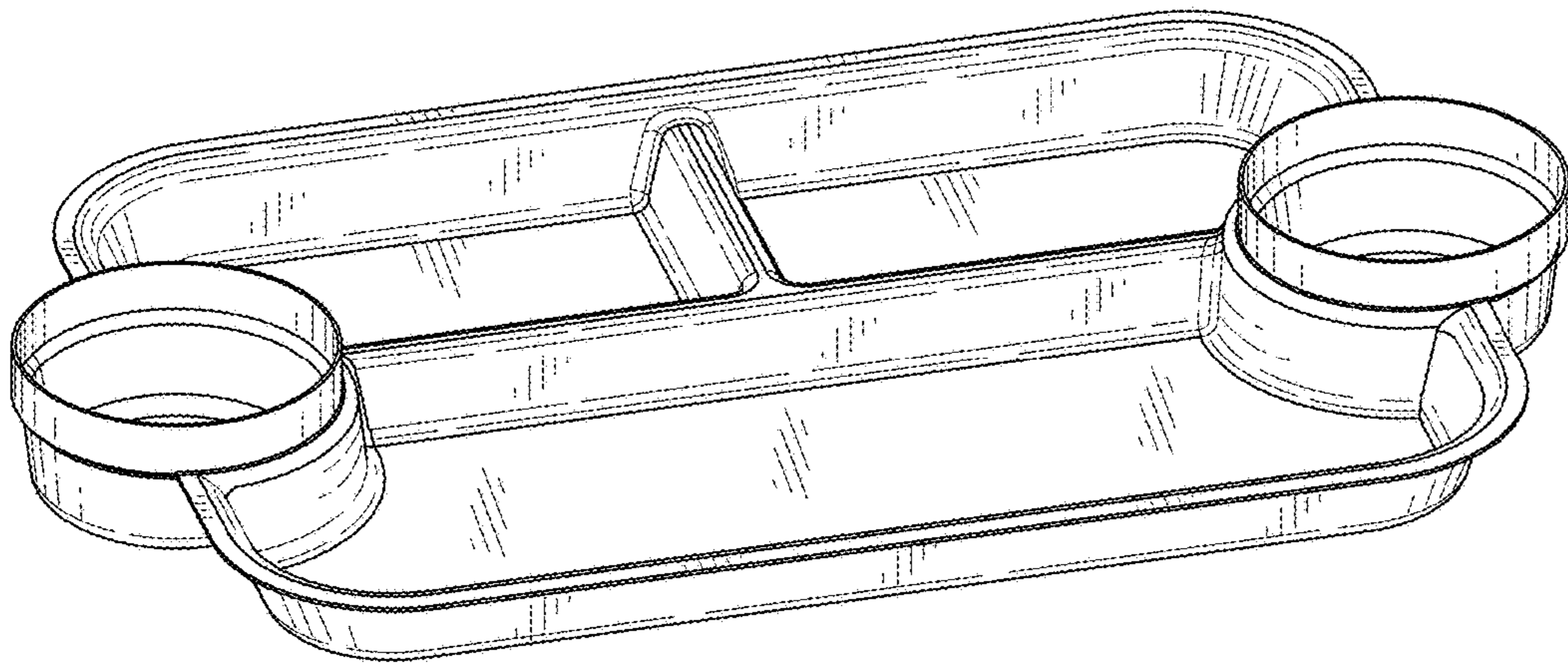


Fig. 1

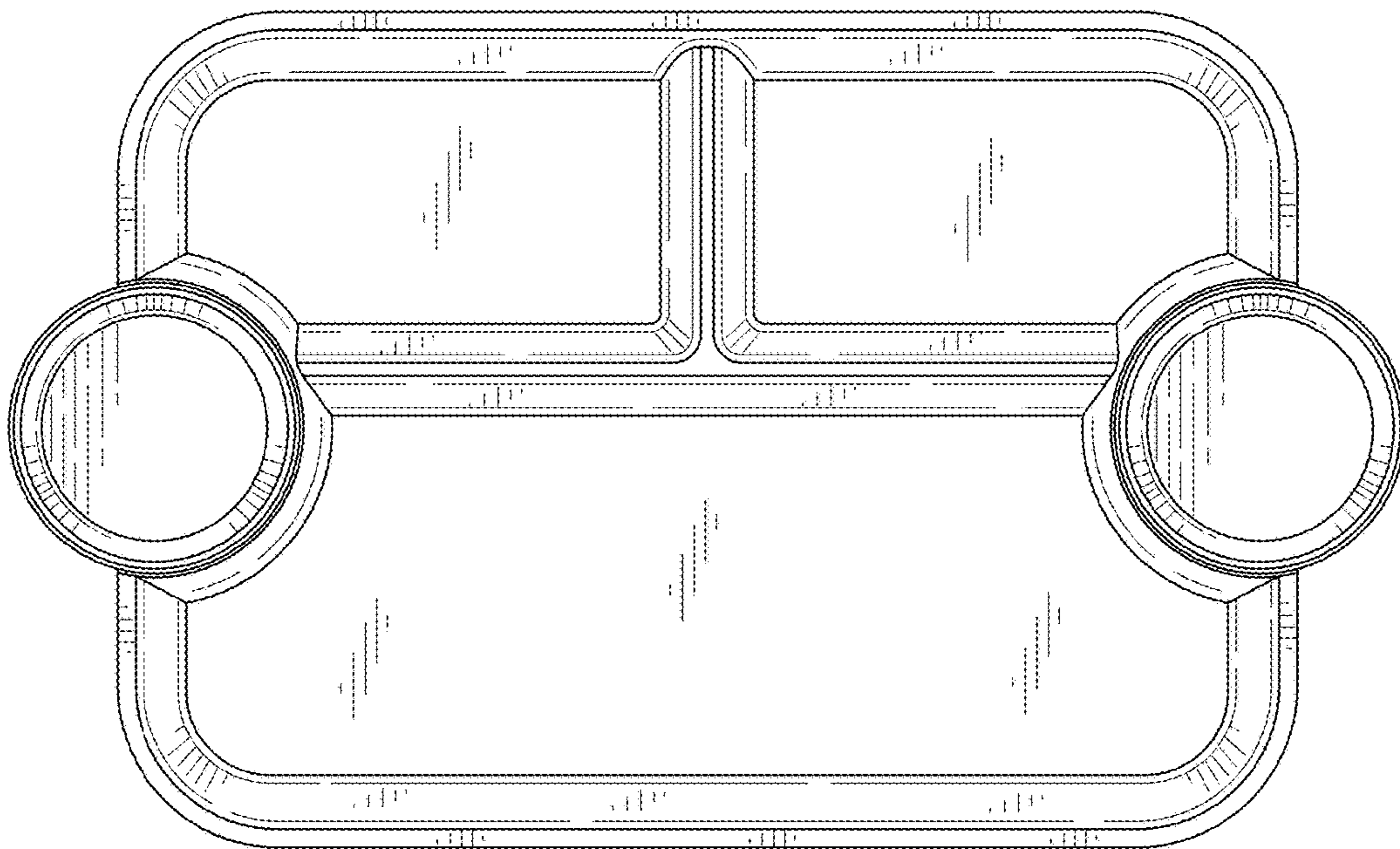


Fig. 2

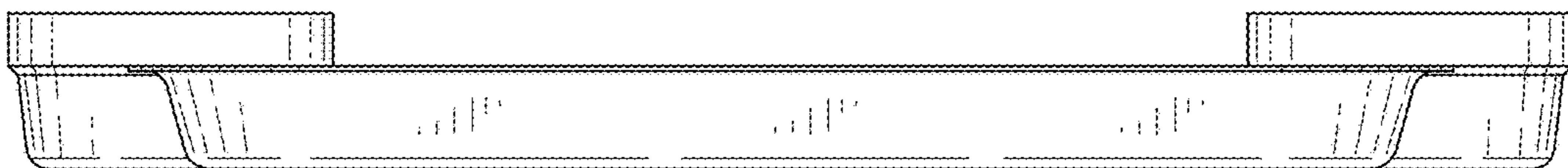


Fig. 3

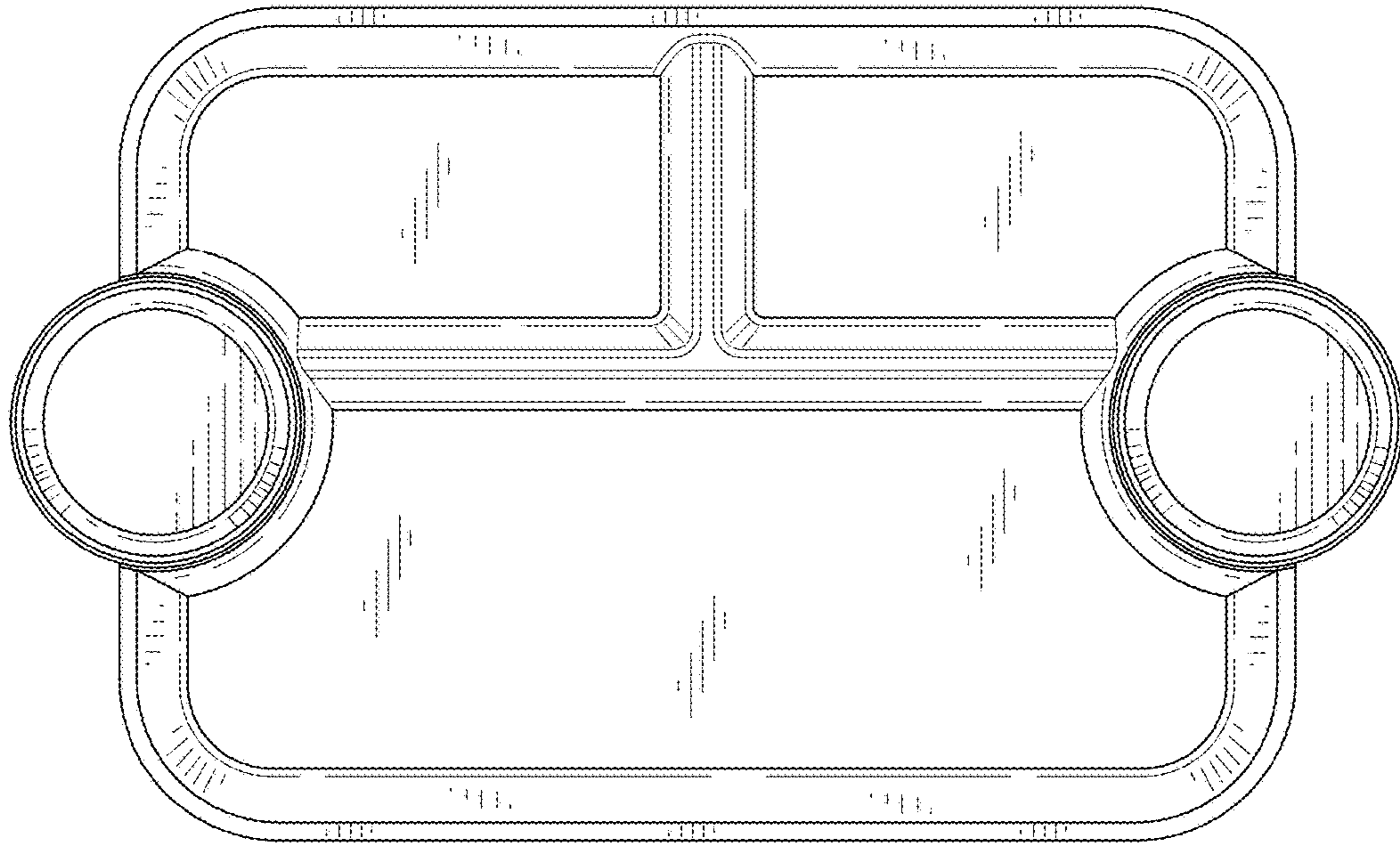


Fig. 4

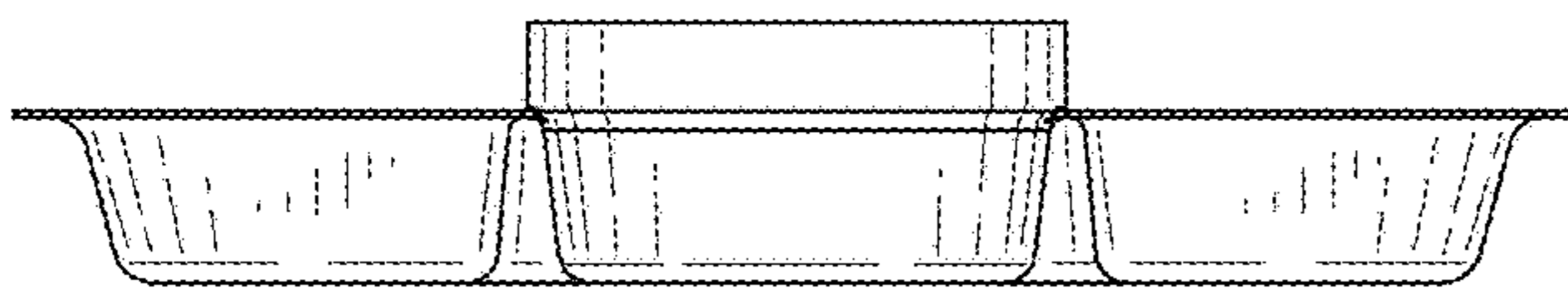


Fig. 5

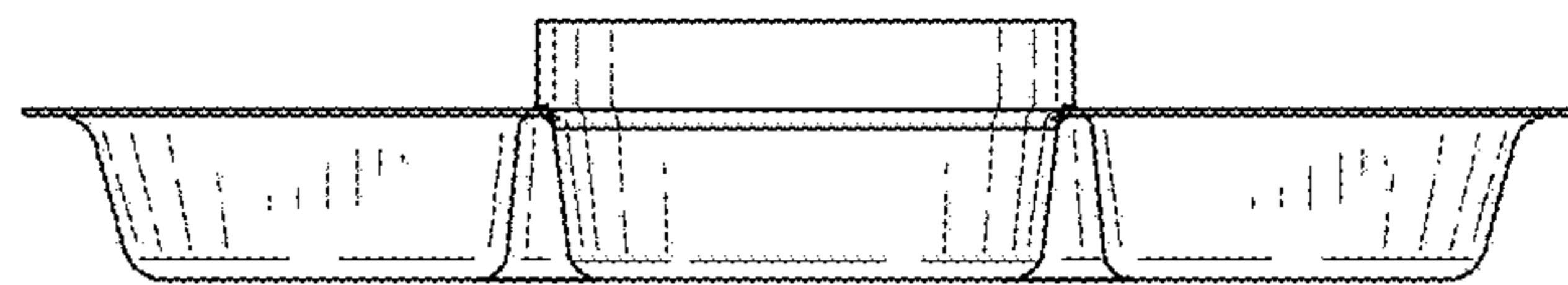


Fig. 6

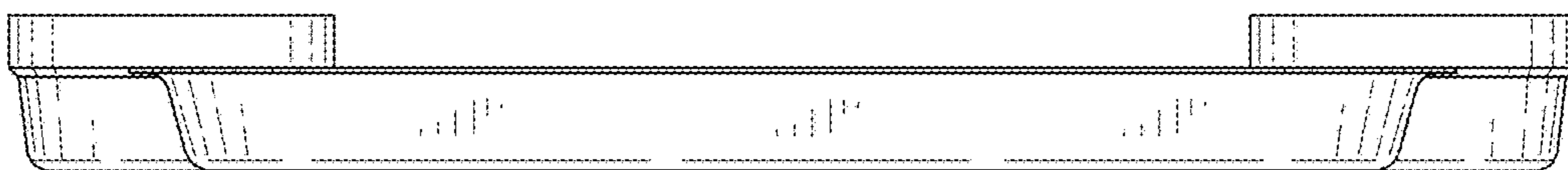


Fig. 7