



US00D858204S

(12) **United States Design Patent** (10) **Patent No.:** **US D858,204 S**  
**Hu** (45) **Date of Patent:** **\*\* Sep. 3, 2019**

(54) **BEACH UMBRELLA TRAY WITH CUP HOLDERS**

(71) Applicant: **Jianfeng Hu**, Shangyu (CN)

(72) Inventor: **Jianfeng Hu**, Shangyu (CN)

(\*\*) Term: **15 Years**

(21) Appl. No.: **29/656,647**

(22) Filed: **Jul. 13, 2018**

(51) **LOC (12) Cl.** ..... **07-01**

(52) **U.S. Cl.**  
 USPC ..... **D7/553.6**

(58) **Field of Classification Search**  
 USPC ..... D7/396.4, 501, 505, 538, 540, 541–543,  
 D7/545, 546, 549, 552.1, 553, 553.1,  
 D7/553.2, 553.6, 553.8, 554.2; D9/716,  
 D9/719, 744–745, 756, 759–760;  
 D30/130; D3/304, 310, 313, 315  
 CPC ..... B65D 1/34; B65D 21/00; B65D 21/0204  
 See application file for complete search history.

D484,303 S \* 12/2003 Taylor ..... D3/10  
 D485,055 S \* 1/2004 Taylor ..... D3/10  
 6,837,386 B1 \* 1/2005 Kent ..... A47B 96/027  
 108/151  
 D542,600 S \* 5/2007 James ..... D7/553.6  
 D587,894 S \* 3/2009 Wainwright ..... D3/10  
 7,503,265 B1 \* 3/2009 Hammond ..... A47G 23/08  
 108/50.12  
 D598,959 S \* 8/2009 Kiddoo ..... D21/385  
 D691,857 S \* 10/2013 Muspratt-Williams ..... D7/553.6  
 8,640,894 B1 \* 2/2014 Cronin ..... A47B 97/00  
 108/183  
 8,720,349 B1 \* 5/2014 David ..... A47B 37/04  
 108/151  
 D740,546 S \* 10/2015 DeVaney ..... D3/10  
 D752,335 S \* 3/2016 Stedman ..... D3/10

(Continued)

Primary Examiner — Kelley A Donnelly

(57) **CLAIM**

The ornamental design for a beach umbrella tray with cup holders, as shown and described.

**DESCRIPTION**

FIG. 1 is a first perspective view of a beach umbrella tray with cup holders showing the claimed new design; FIG. 2 is a second perspective view thereof; FIG. 3 is a front elevational view thereof; FIG. 4 is a rear elevational view thereof; FIG. 5 is a left side elevational view thereof; FIG. 6 is a right side elevational view thereof; FIG. 7 is a top plane view thereof; FIG. 8 is a bottom plane view thereof; and, FIG. 9 is a perspective view of thereof in an environment in which it may be used.

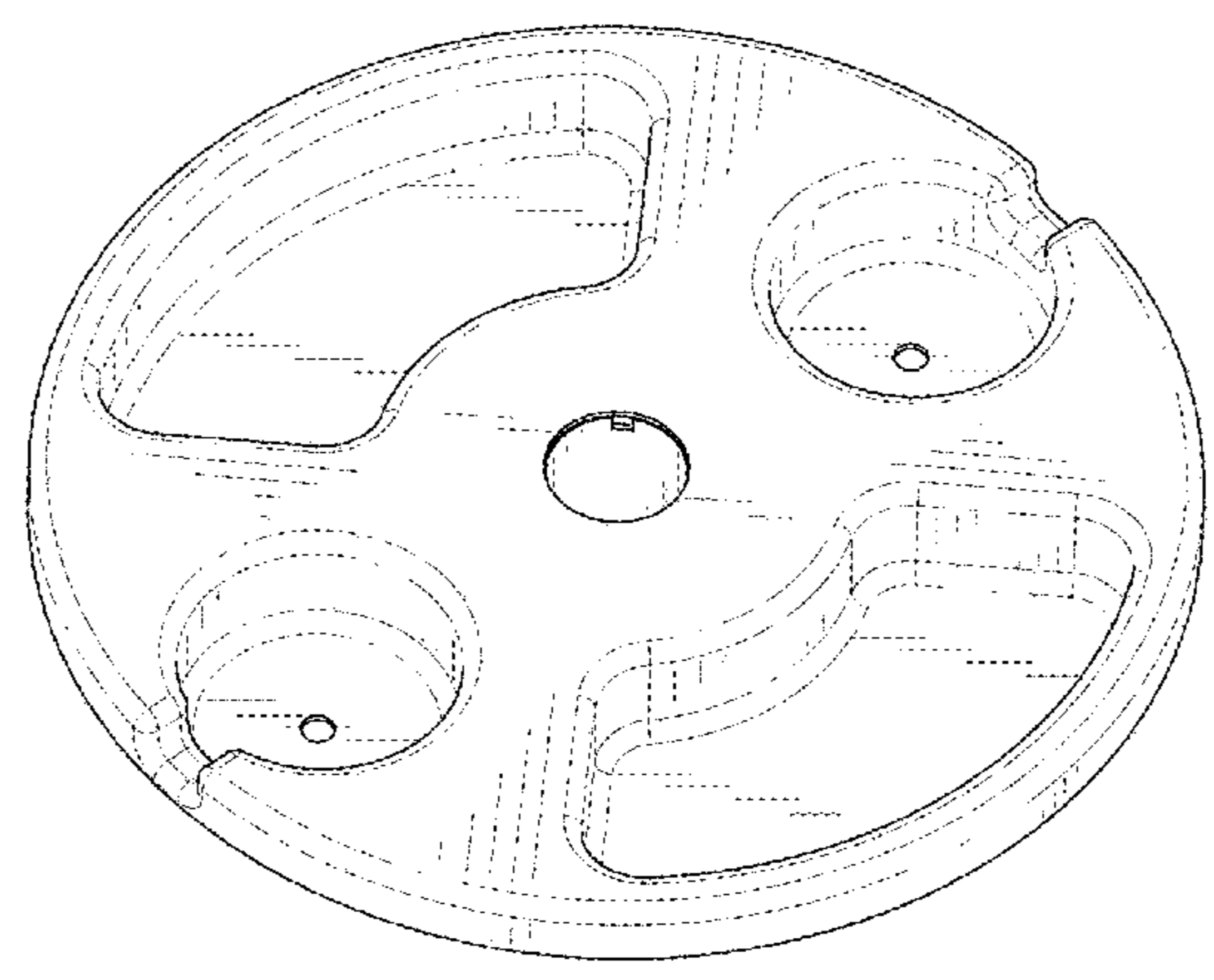
The broken lines immediately adjacent to the claimed portions are boundaries, all other broken lines are environmental structures; all the broken lines form no part of the claimed design.

**1 Claim, 9 Drawing Sheets**

(56) **References Cited**

U.S. PATENT DOCUMENTS

D228,036 S \* 7/1973 Hollister ..... D27/133  
 D276,043 S \* 10/1984 Fitzner ..... D14/229  
 D281,300 S \* 11/1985 Gluck ..... D6/708  
 4,708,256 A \* 11/1987 Intardonato ..... A47G 23/06  
 220/23.4  
 D328,210 S \* 7/1992 Callon ..... D6/707.2  
 5,894,944 A \* 4/1999 Swift ..... A47G 23/08  
 211/128.1  
 6,123,206 A \* 9/2000 Zaremba ..... A47F 5/04  
 108/147.13  
 6,161,333 A \* 12/2000 Poston ..... A01G 9/02  
 47/86  
 6,463,946 B1 \* 10/2002 Wu ..... A47B 11/00  
 108/50.12  
 D481,562 S \* 11/2003 Shilling ..... D6/708



(56)

**References Cited**

U.S. PATENT DOCUMENTS

D758,525 S *	6/2016	Tweedie .....	D22/139
D787,871 S *	5/2017	Roso .....	D6/710
D819,408 S *	6/2018	Floco .....	D7/553.6
D835,467 S *	12/2018	Dolinsky .....	D7/553.6
2005/0072711 A1 *	4/2005	Yang .....	A47G 23/08
			206/545
2009/0120477 A1 *	5/2009	Li .....	A45B 3/00
			135/16

\* cited by examiner

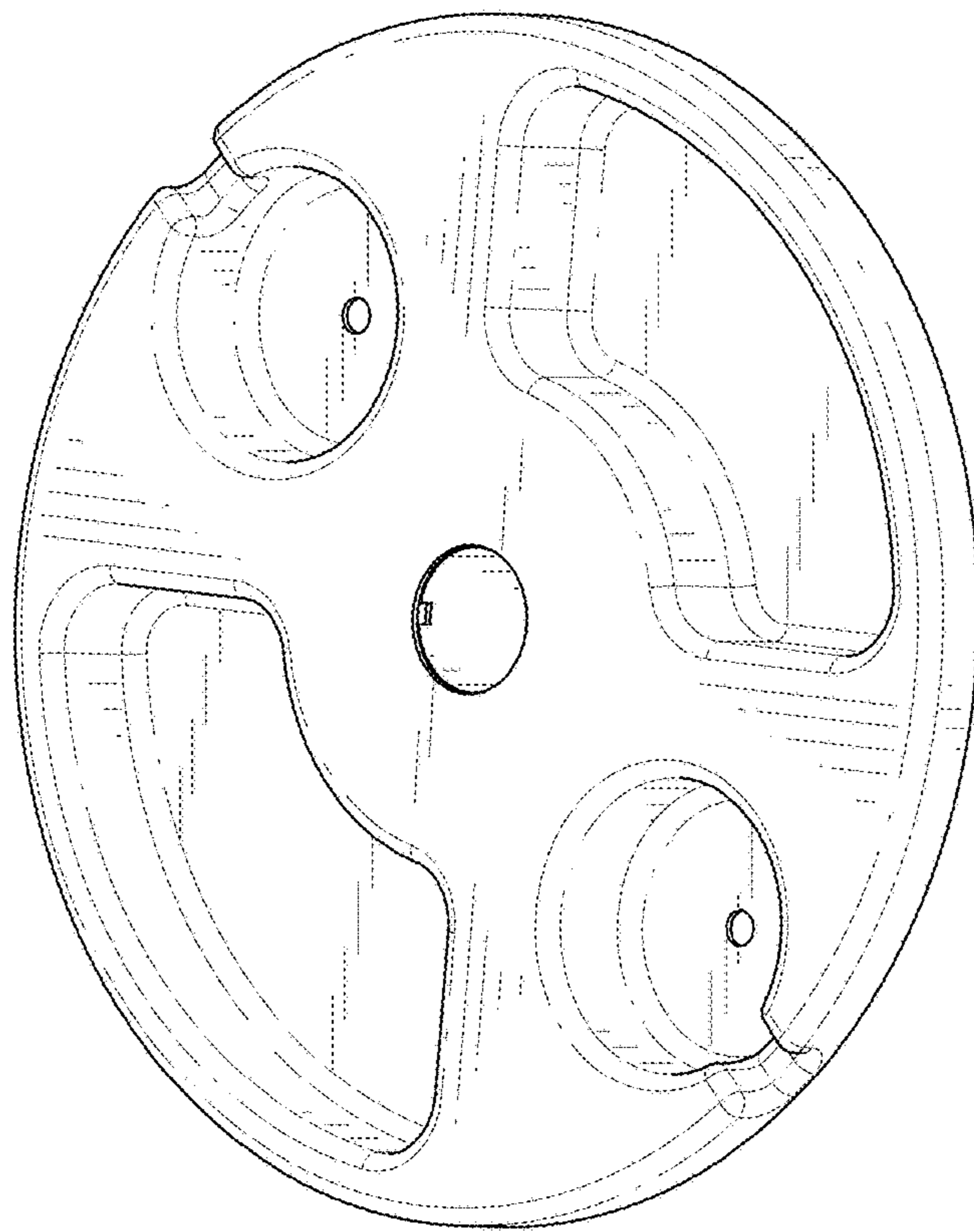


FIG. 1

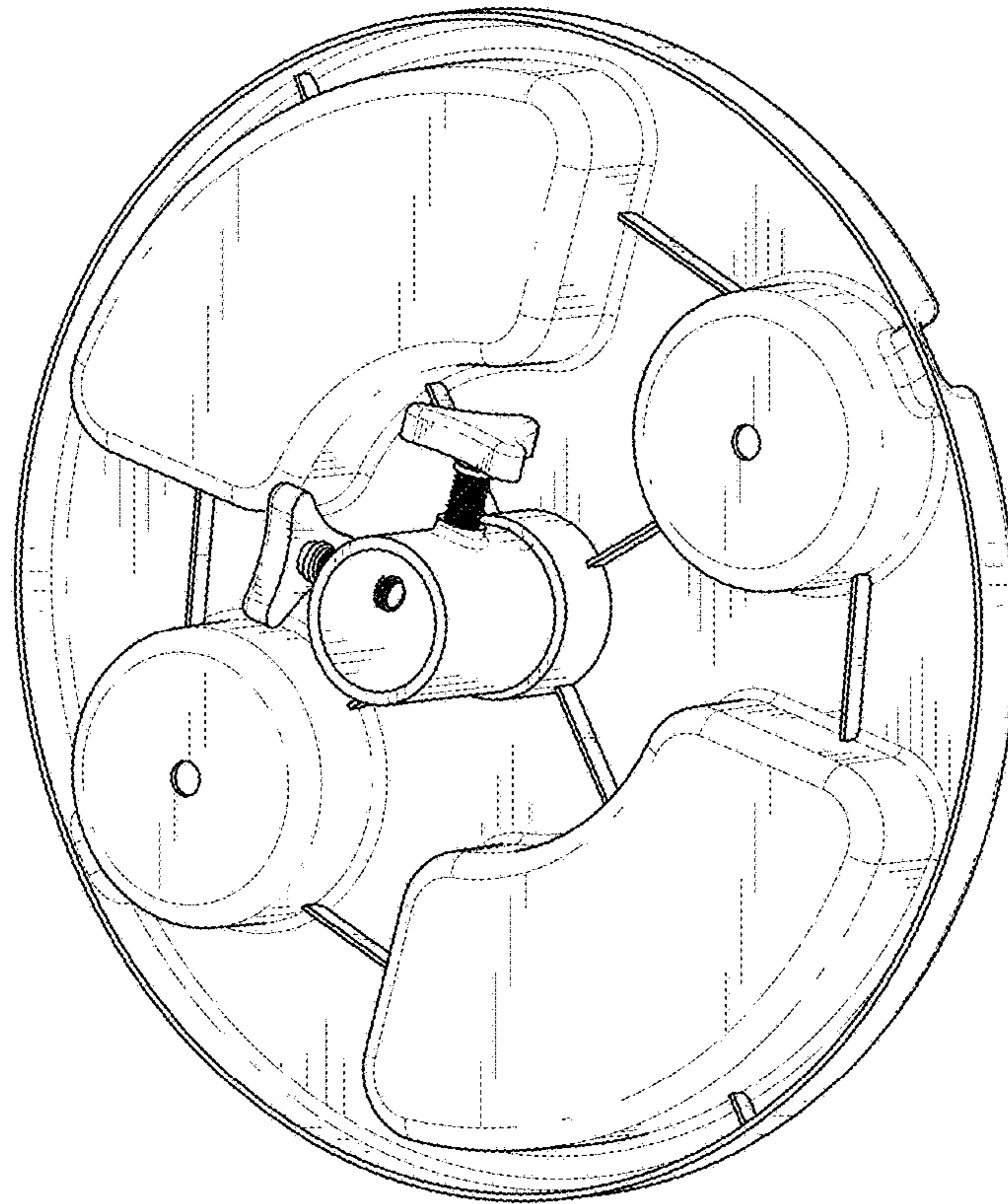


FIG. 2

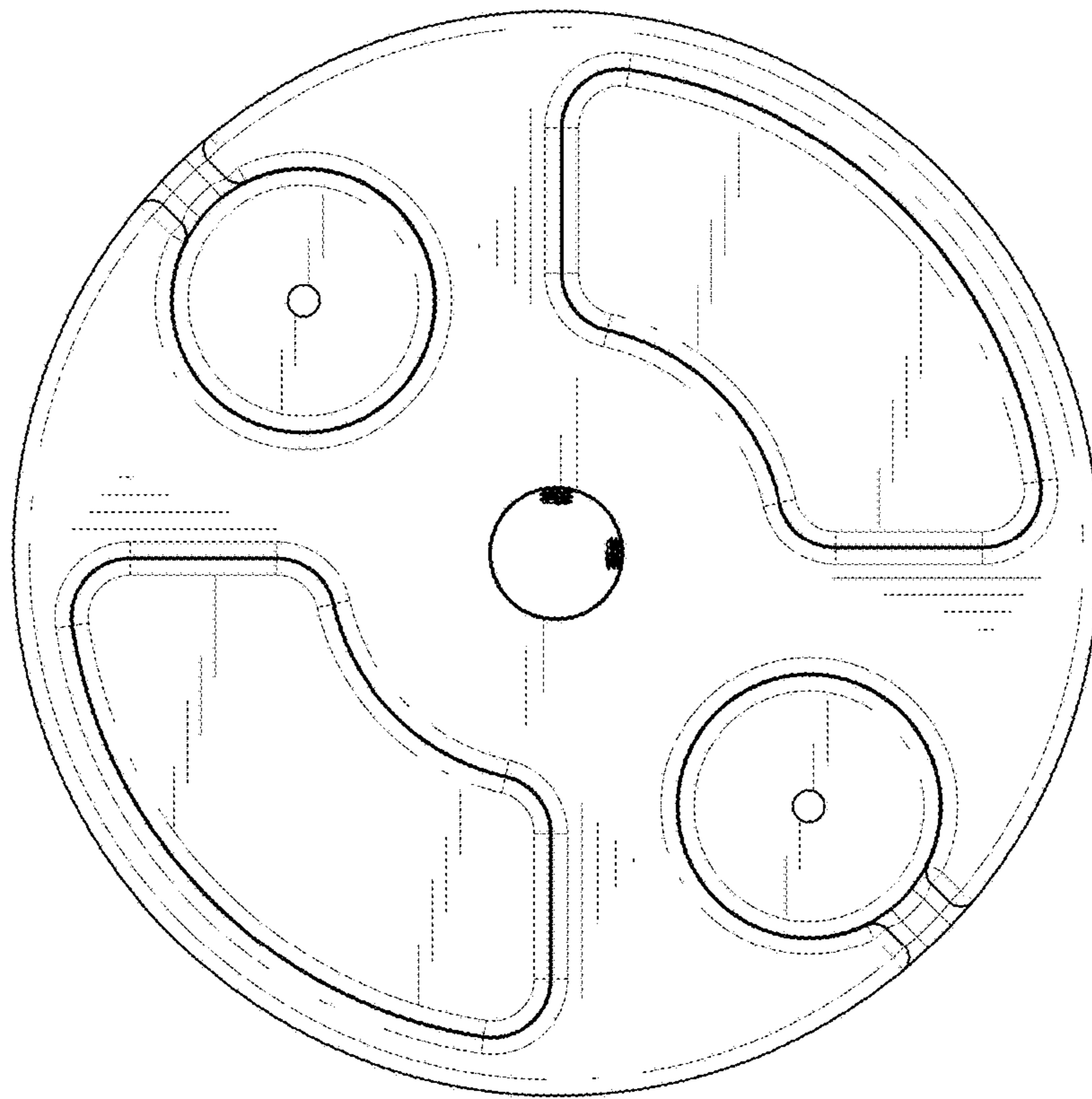


FIG. 3

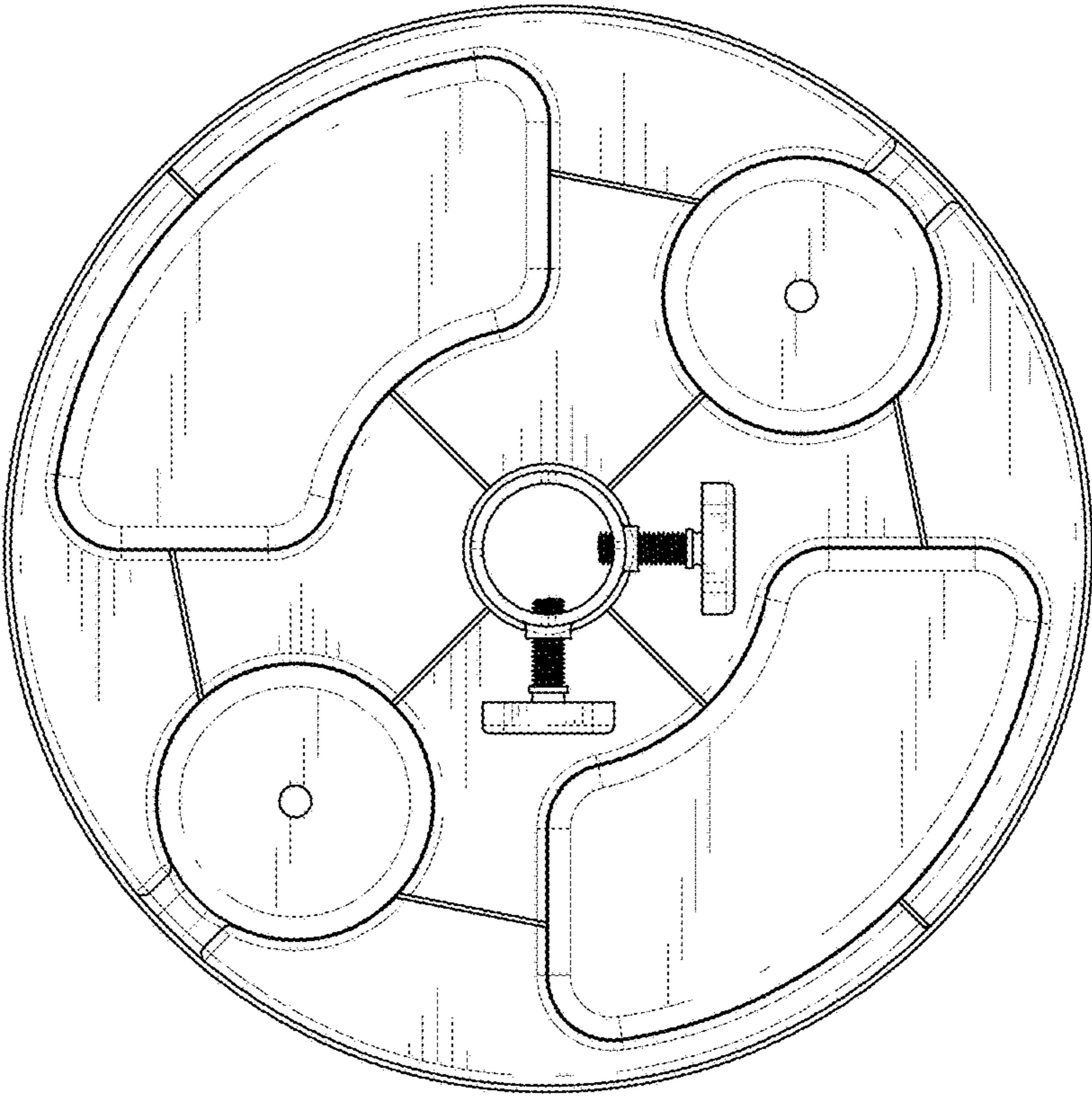


FIG. 4

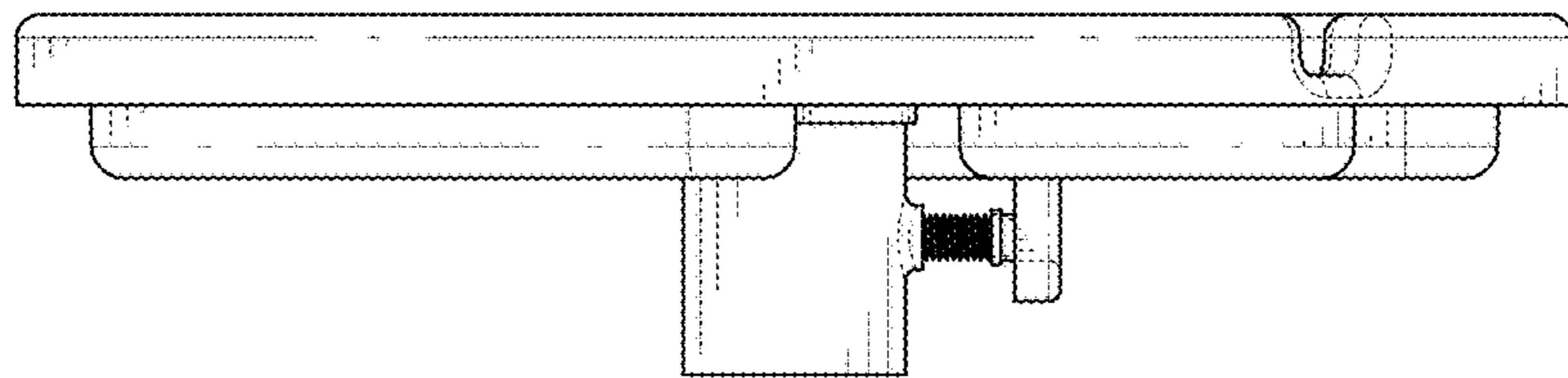


FIG. 5

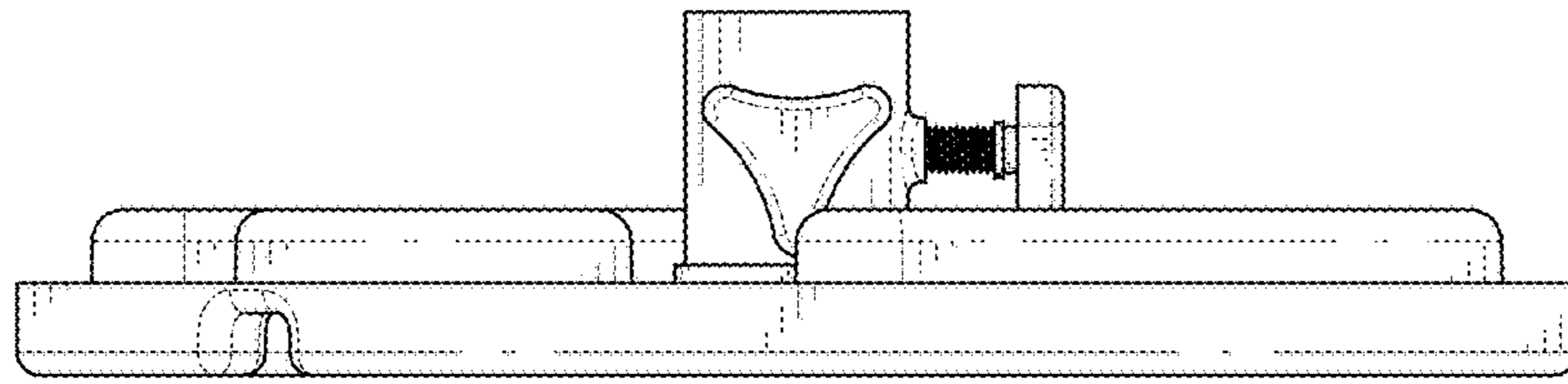


FIG. 6



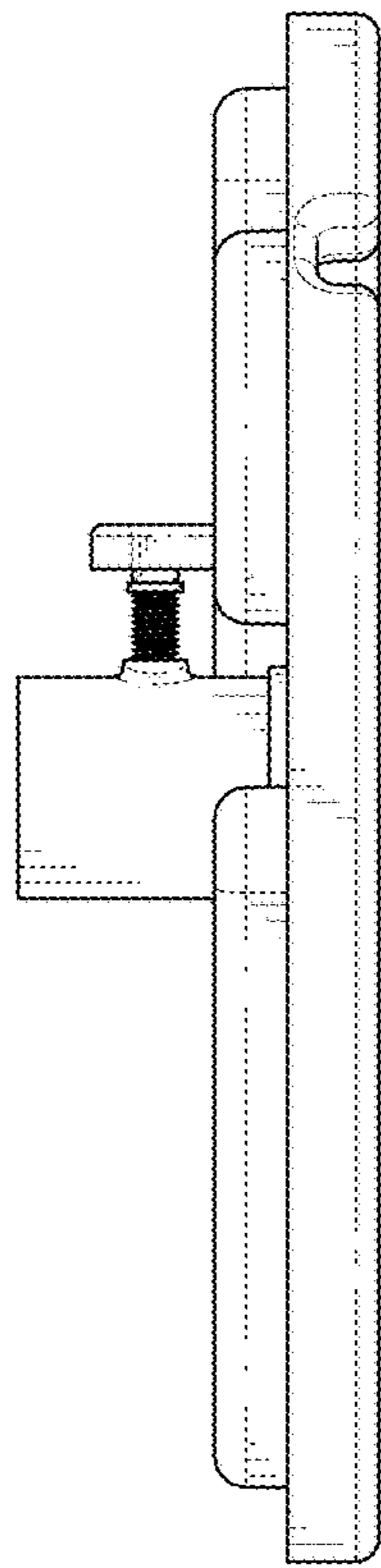


FIG. 7

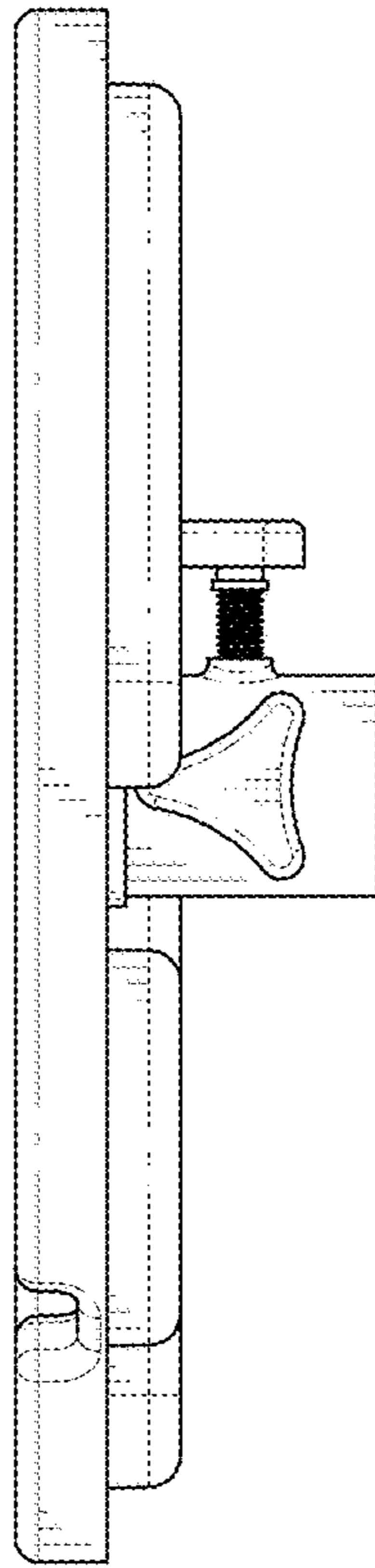


FIG. 8

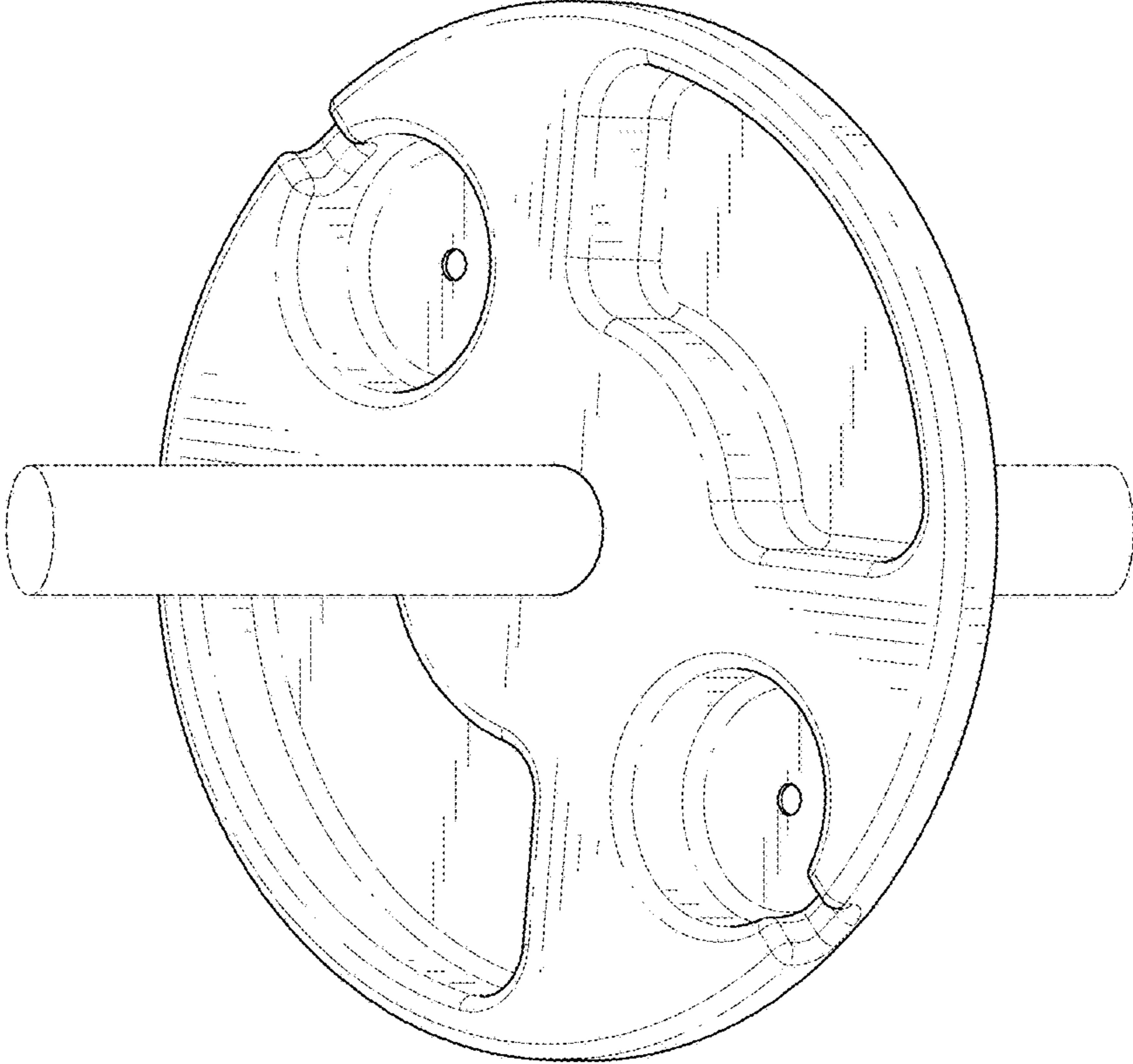


FIG. 9