



US00D858203S

(12) **United States Design Patent**
Stevenson et al.

(10) **Patent No.:** **US D858,203 S**

(45) **Date of Patent:** **** Sep. 3, 2019**

(54) **CORN TRAY**

(71) Applicants: **F.D.S. Manufacturing Company**,
Pomona, CA (US); **Jacobs, Malcolm & Burt**,
San Ramon, CA (US)

(72) Inventors: **Kevin T. Stevenson**, Upland, CA (US);
James D. Miller, Lodi, CA (US); **Paul A. Bogetti, Sr.**,
Tracy, CA (US)

(73) Assignees: **F.D.S. Manufacturing Company**,
Pomona, CA (US); **Jacobs, Malcolm & Burt**,
San Ramon, CA (US)

(**) Term: **15 Years**

(21) Appl. No.: **29/641,786**

(22) Filed: **Mar. 25, 2018**

(51) **LOC (12) Cl.** **07-01**

(52) **U.S. Cl.**
USPC **D7/553.2**

(58) **Field of Classification Search**
USPC D7/505, 550.1, 553.1, 553.2, 553.3,
D7/554.3, 554.4, 555, 566; D9/424, 432,
D9/756, 757, 758, 761; D30/130
CPC B65D 1/34; B65D 21/00; B65D 21/02;
B65D 21/0233
See application file for complete search history.

(56) **References Cited**

U.S. PATENT DOCUMENTS

2,796,742 A * 6/1957 Platt F25C 1/24
249/127
D245,985 S * 10/1977 Talbert D15/90

D259,010 S * 4/1981 Klatt D7/359
D451,676 S * 12/2001 Dembicks D3/313
D480,736 S * 10/2003 Wright D15/90
D500,635 S * 1/2005 Barry D7/504
D628,673 S * 12/2010 Dittmann D23/209
D654,517 S * 2/2012 Merritt D15/90
D660,650 S * 5/2012 Moore D7/553.2
D690,566 S * 10/2013 Bernheim D7/698
D713,196 S * 9/2014 Sarnoff D7/357
D770,543 S * 11/2016 Lee D15/89
D770,544 S * 11/2016 Lee D15/89
D805,400 S * 12/2017 Shoshan D9/737

* cited by examiner

Primary Examiner — Kelley A Donnelly

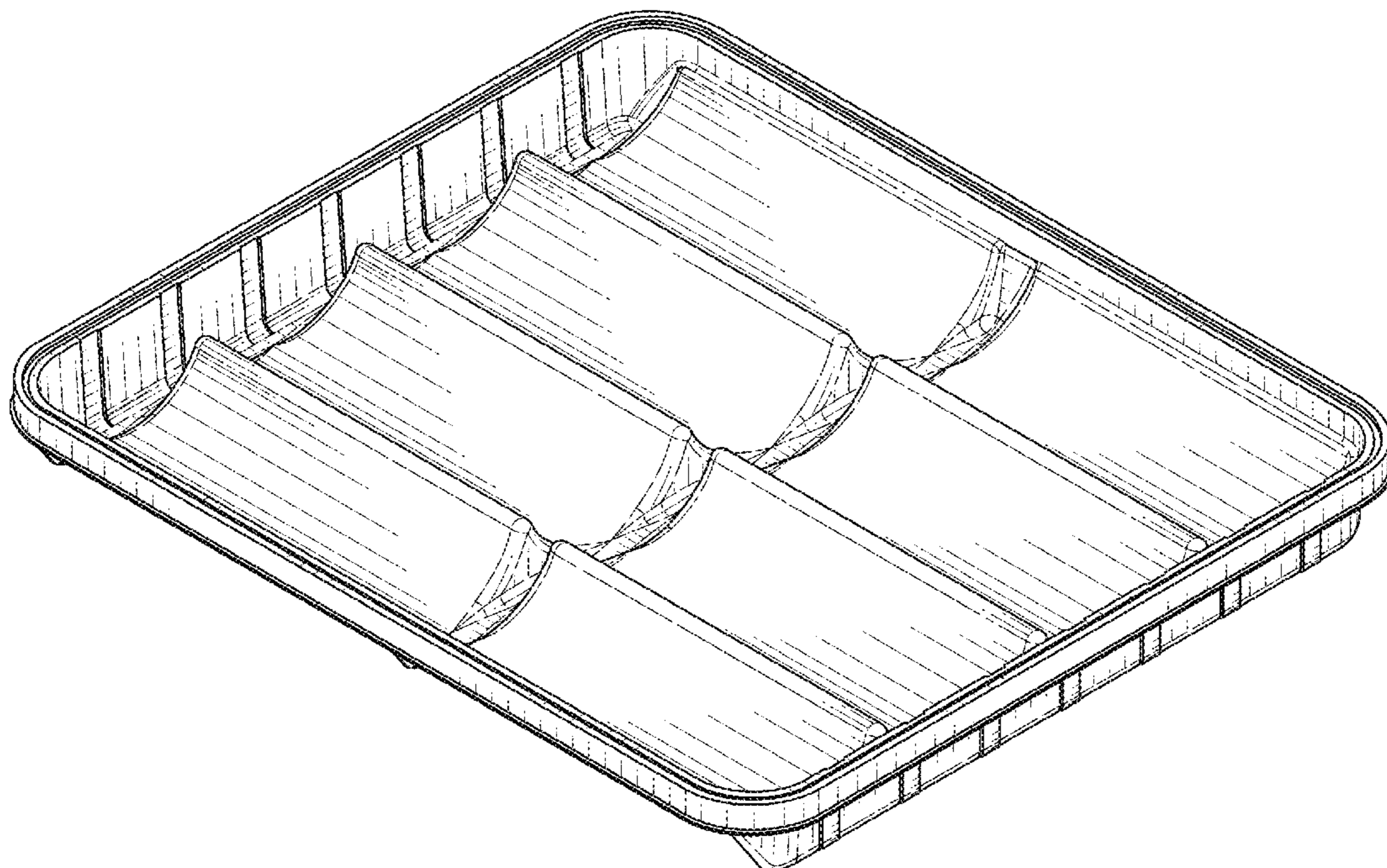
(57) **CLAIM**

The ornamental design for a corn tray, as shown and described.

DESCRIPTION

FIG. 1 is a perspective view of the claimed design for a corn tray;
FIG. 2 is a front view thereof;
FIG. 3 is a rear view thereof;
FIG. 4 is a left-side view thereof;
FIG. 5 is a right-side view thereof;
FIG. 6 is a top view thereof; and,
FIG. 7 is a bottom view thereof.

1 Claim, 7 Drawing Sheets



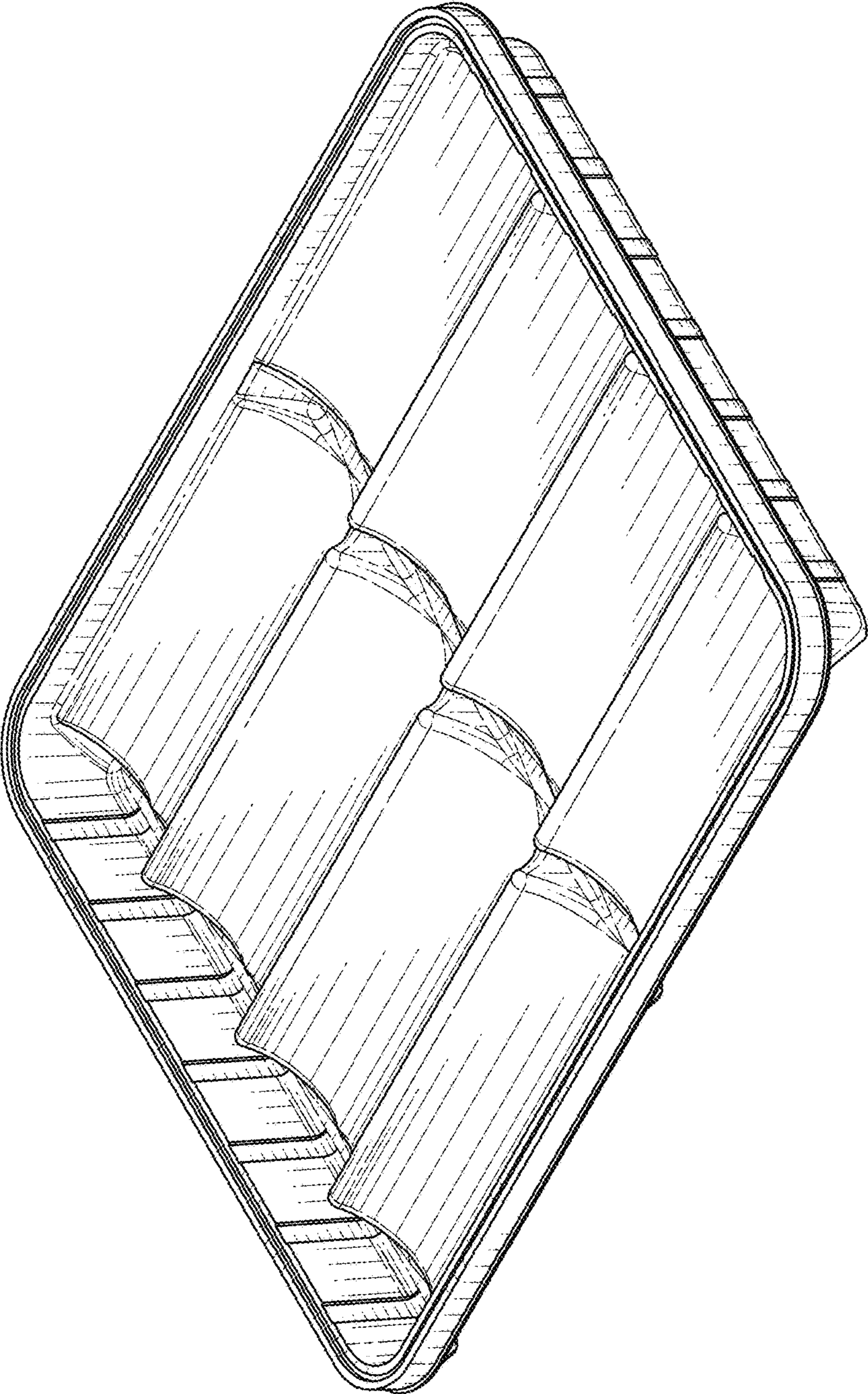


FIG. 1

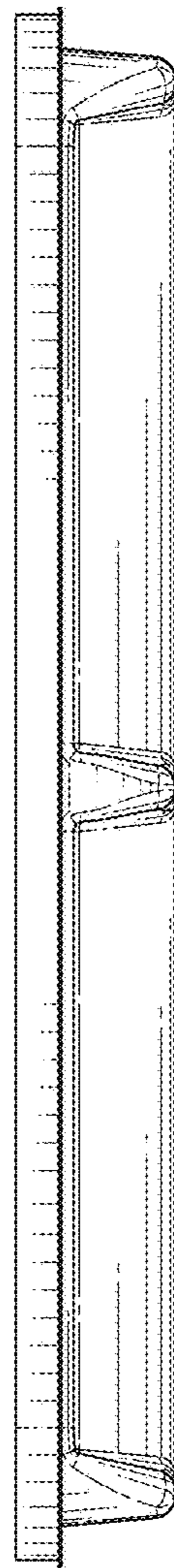


FIG. 2

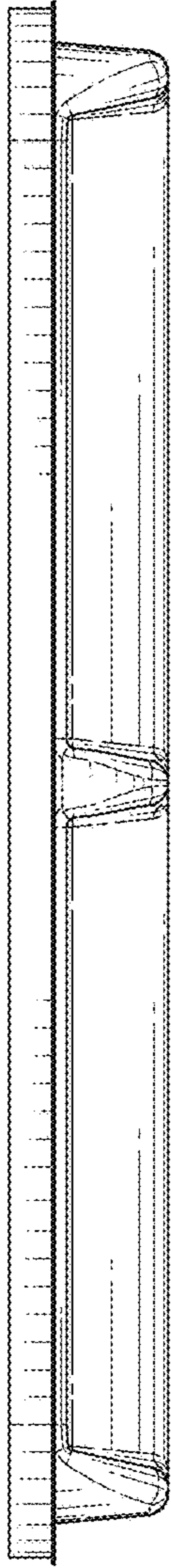


FIG. 3

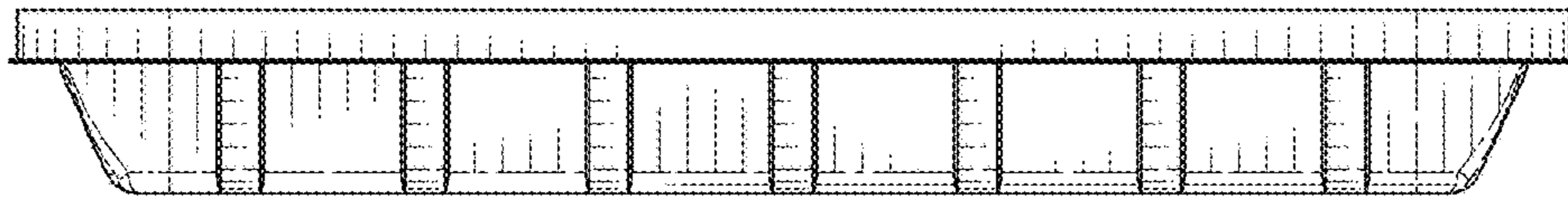


FIG. 4

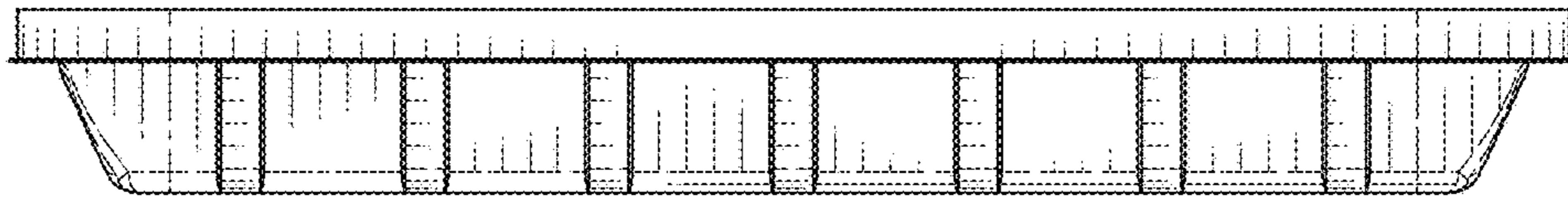


FIG. 5

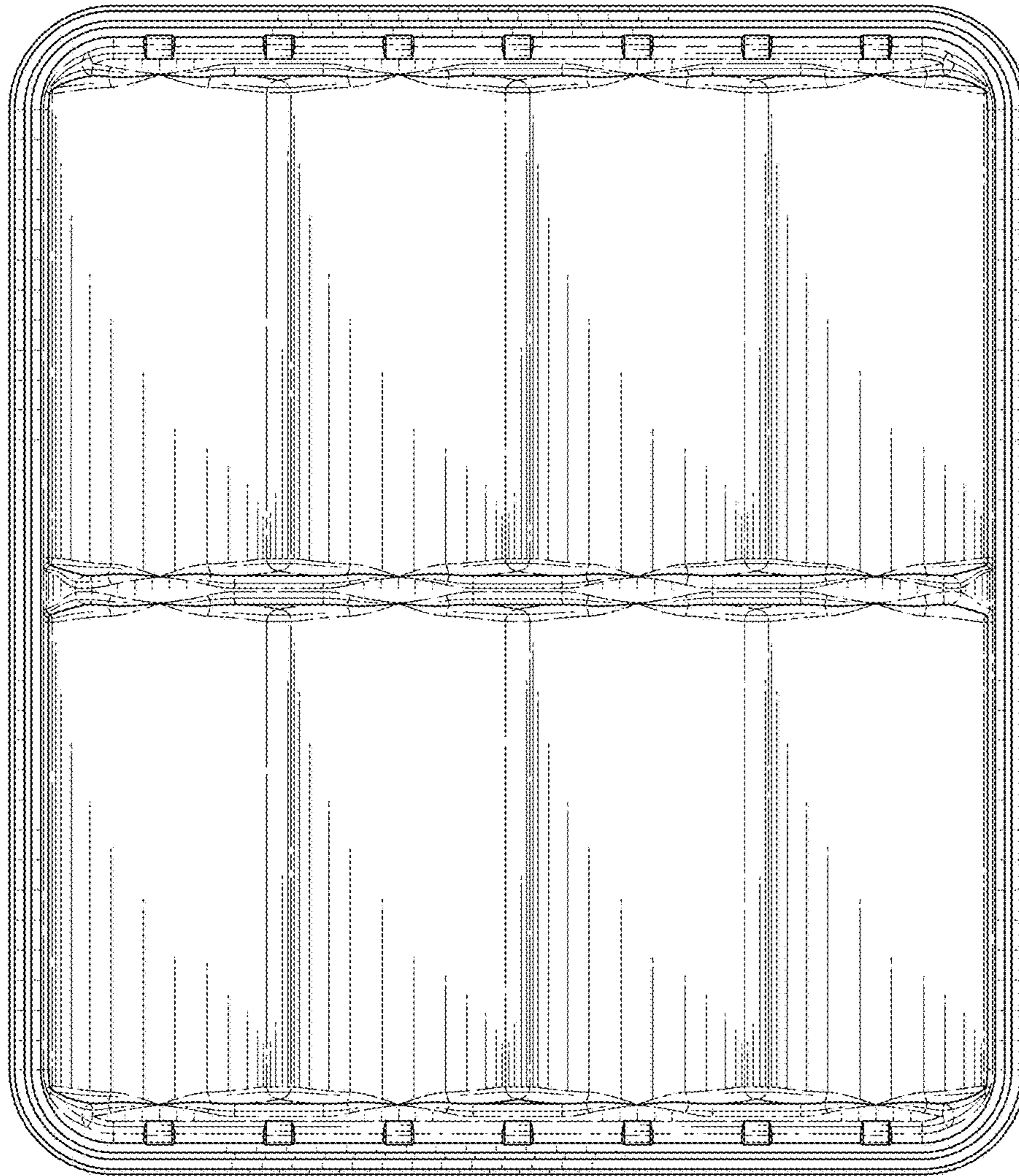


FIG. 6

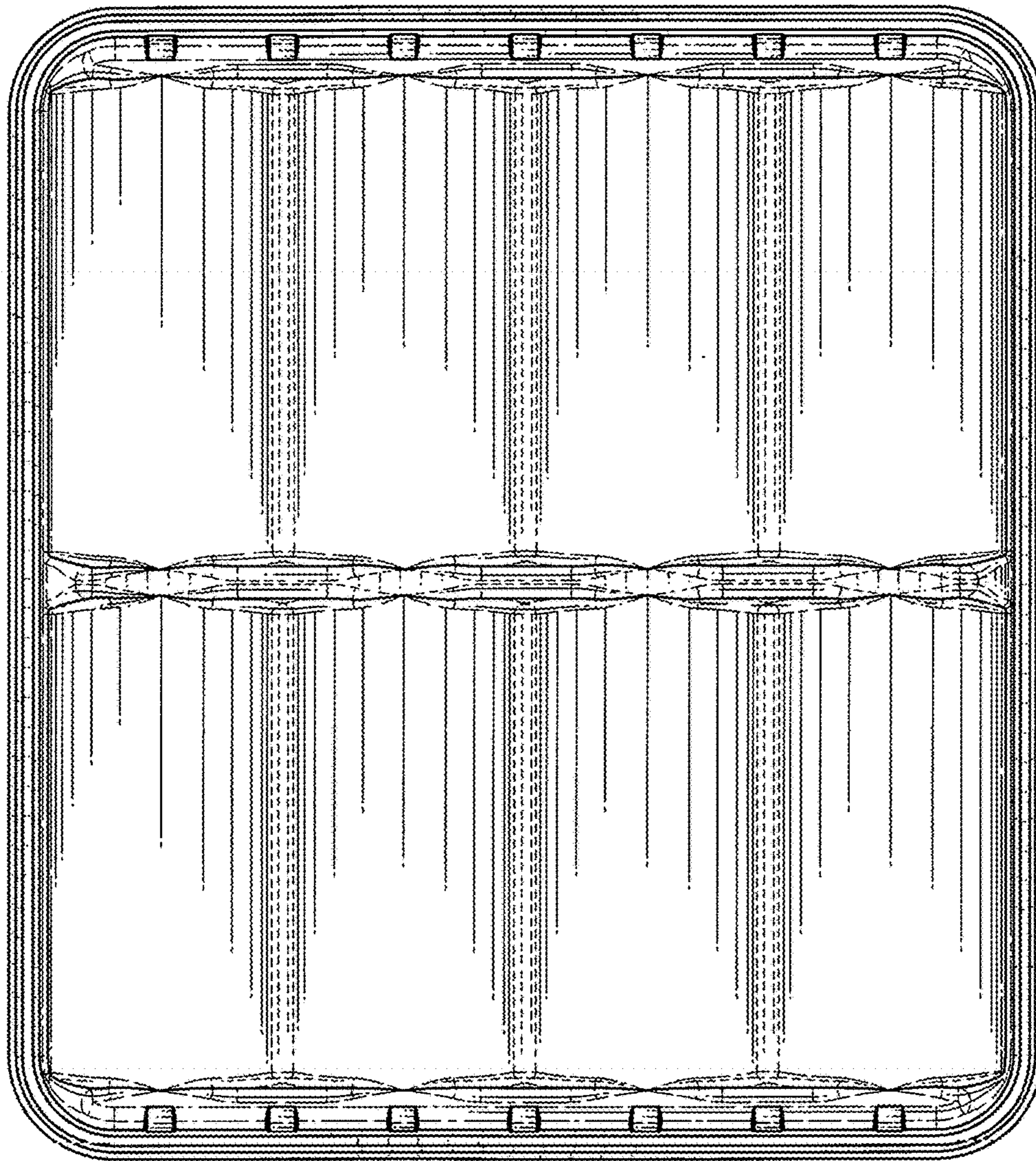


FIG. 7