



US00D858202S

(12) **United States Design Patent** (10) **Patent No.:** **US D858,202 S**
Hewitt et al. (45) **Date of Patent:** **** Sep. 3, 2019**

- (54) **BEVERAGE CONTAINER**
- (71) Applicant: **HEWY WINE CHILLERS, LLC**,
Orlando, FL (US)
- (72) Inventors: **Benjamin R. Hewitt**, Orlando, FL
(US); **Stephen Bruner**, Orlando, FL
(US)
- (73) Assignee: **Corkcicle, LLC**, Orlando, FL (US)
- (**) Term: **15 Years**

D576,495 S *	9/2008	Slubski	D9/537
D604,984 S *	12/2009	Kalamaras	A47J 43/27
			D7/300.1
D611,819 S *	3/2010	Slubski	D9/434
D623,460 S *	9/2010	Krasner	D30/132
D653,546 S *	2/2012	Ring	D9/516
D756,716 S *	5/2016	Hewitt	D7/608
D767,930 S *	10/2016	Gamelli	D7/300.1
D769,043 S *	10/2016	Gamelli	D7/300.1
D778,095 S *	2/2017	Gamelli	D7/300.1
D812,976 S *	3/2018	Schlesinger	D7/510
D825,242 S *	8/2018	Bosheng	D7/300.1
2004/0066705 A1 *	4/2004	Linz	A47J 43/27
			366/130

- (21) Appl. No.: **29/629,840**
- (22) Filed: **Dec. 15, 2017**
- (51) **LOC (12) Cl.** **07-01**
- (52) **U.S. Cl.**
USPC **D7/531; D7/532**
- (58) **Field of Classification Search**
USPC D7/505, 507, 509, 510, 511, 523, 532,
D7/608, 300.1, 213, 392.1, 396.2, 387,
D7/396.6, 531; D9/500, 501, 502, 503,
D9/504, 505, 516, 530; D14/216, 221,
D14/204, 209.1, 215, 217, 212
CPC . A47G 19/2205; A47G 19/2272; A47J 43/27;
A47J 41/02; A45F 3/16
See application file for complete search history.

- (56) **References Cited**
U.S. PATENT DOCUMENTS
2,791,467 A * 5/1957 Leshin A47J 43/27
215/6
D483,982 S * 12/2003 Irvine D7/300.1
D489,627 S * 5/2004 Klitsner D7/300.1
D493,327 S * 7/2004 Marsden D7/300.1
D499,342 S * 12/2004 Klitsner D7/300.1
D536,579 S * 2/2007 Roth B65D 21/0204
D7/523
D565,353 S * 4/2008 Roth D7/510

(Continued)

Primary Examiner — Marianne N Pandozzi
Assistant Examiner — Jae Liang
 (74) *Attorney, Agent, or Firm* — Dickinson Wright PLLC;
 Michael E. Noe

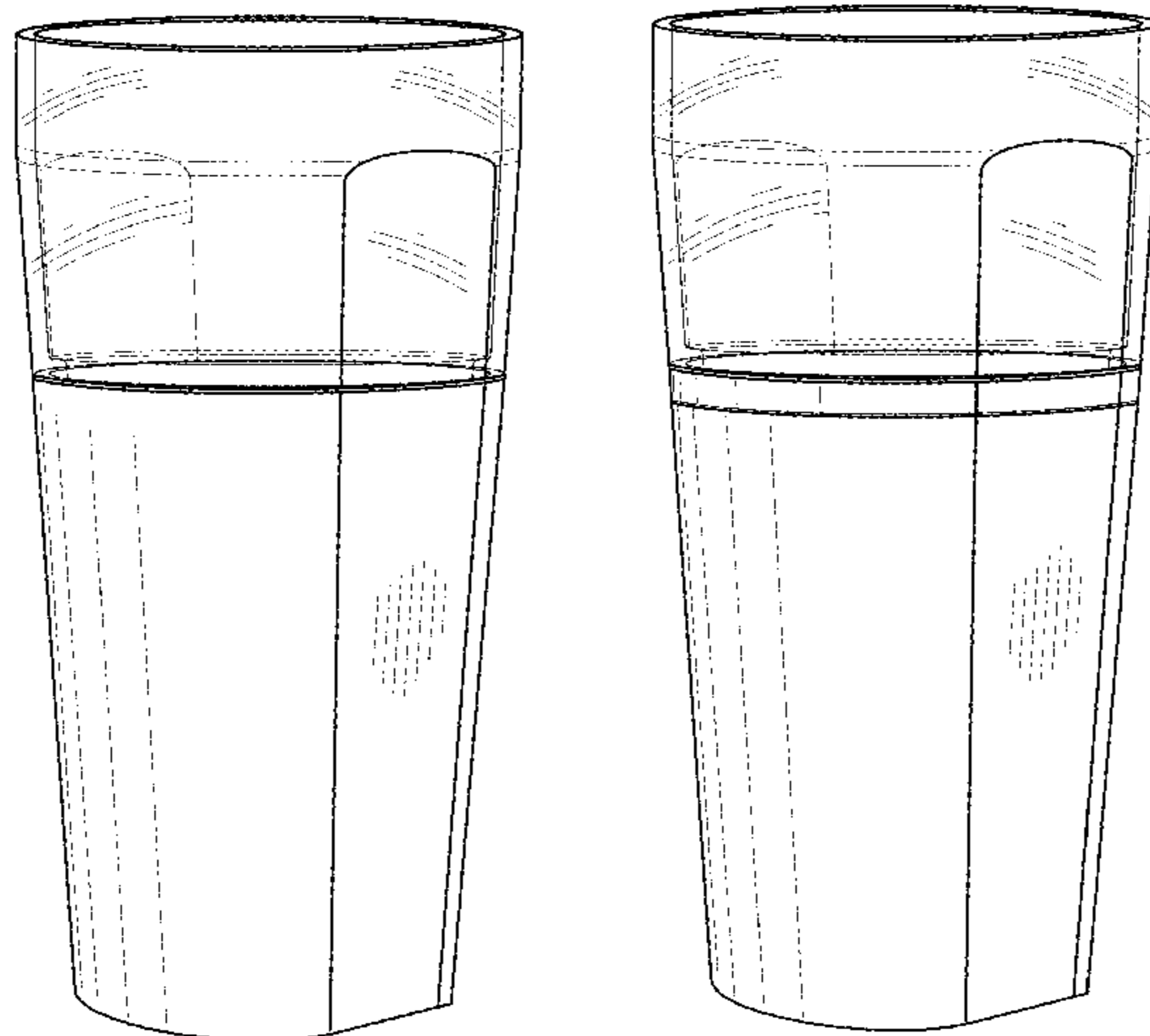
(57) **CLAIM**

The ornamental design for a beverage container, as shown and described.

DESCRIPTION

FIG. 1 is an isometric view of a first embodiment of a beverage container showing our new design;
 FIG. 2 is a side view thereof;
 FIG. 3 is a front view thereof;
 FIG. 4 is a top view thereof;
 FIG. 5 is a bottom view thereof;
 FIG. 6 is an isometric view of a second embodiment of a beverage container;
 FIG. 7 is a side view thereof;
 FIG. 8 is a front view thereof;
 FIG. 9 is a top view thereof; and,
 FIG. 10 is a bottom view thereof.
 The broken lines in the drawing depict portions of the beverage container that form no part of the claimed design.

1 Claim, 6 Drawing Sheets



(56)

References Cited

U.S. PATENT DOCUMENTS

2013/0126369 A1* 5/2013 Gamelli B65D 47/122
206/217
2016/0166115 A1* 6/2016 Schlesinger A47J 43/27
220/568
2017/0202400 A1* 7/2017 Choltco-Devlin A47J 19/022

* cited by examiner

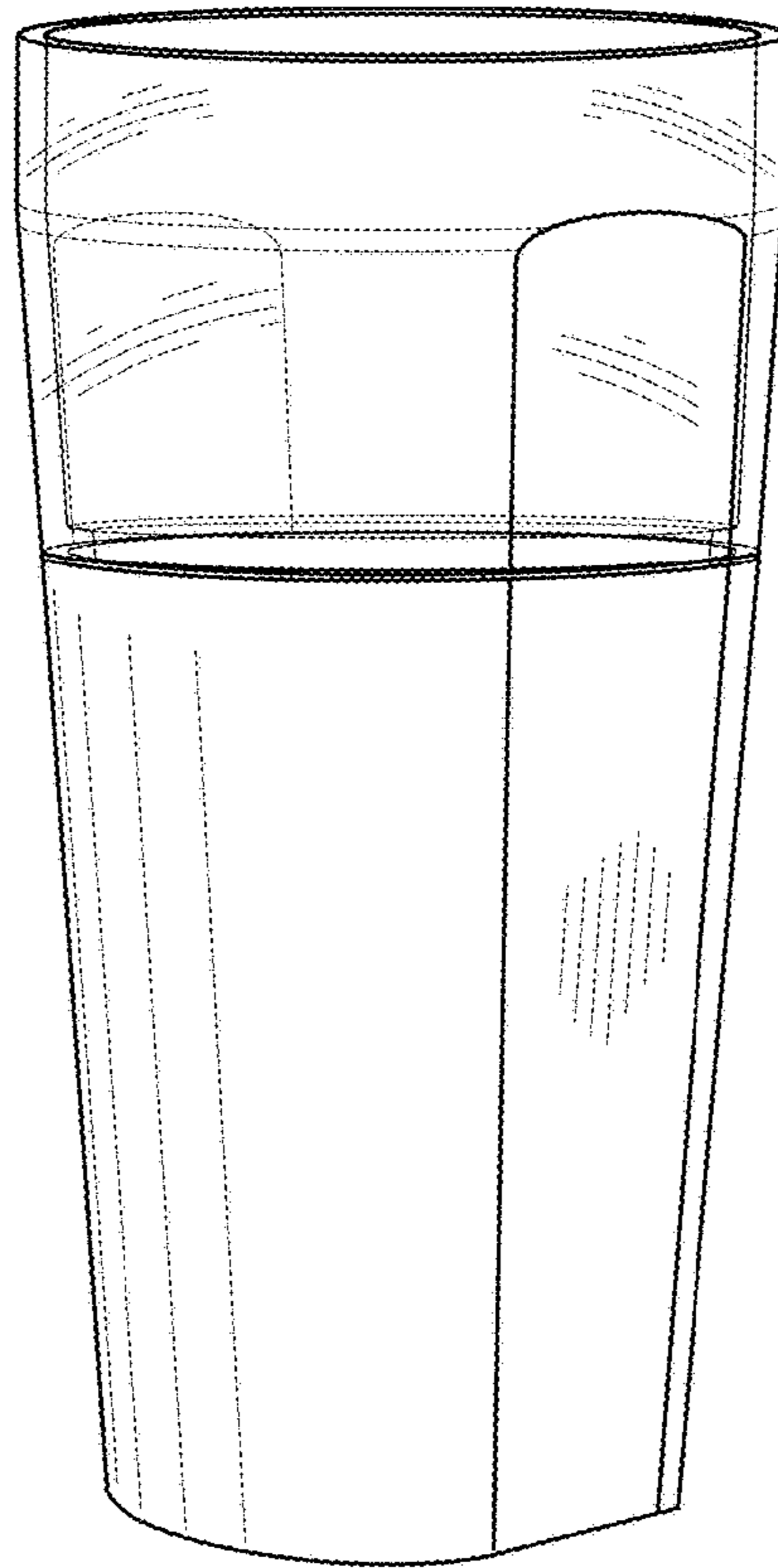


FIG. 1

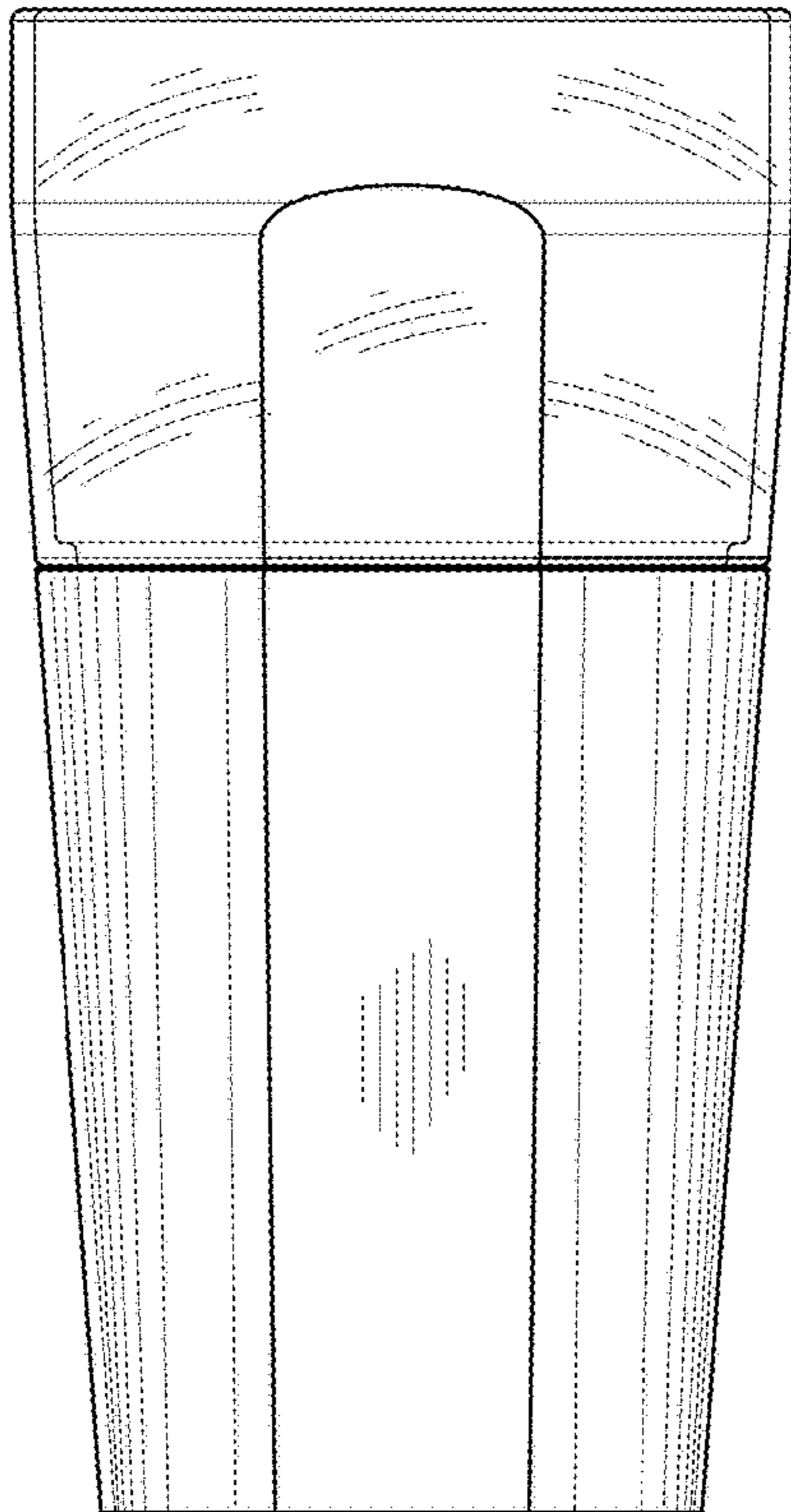


FIG. 2

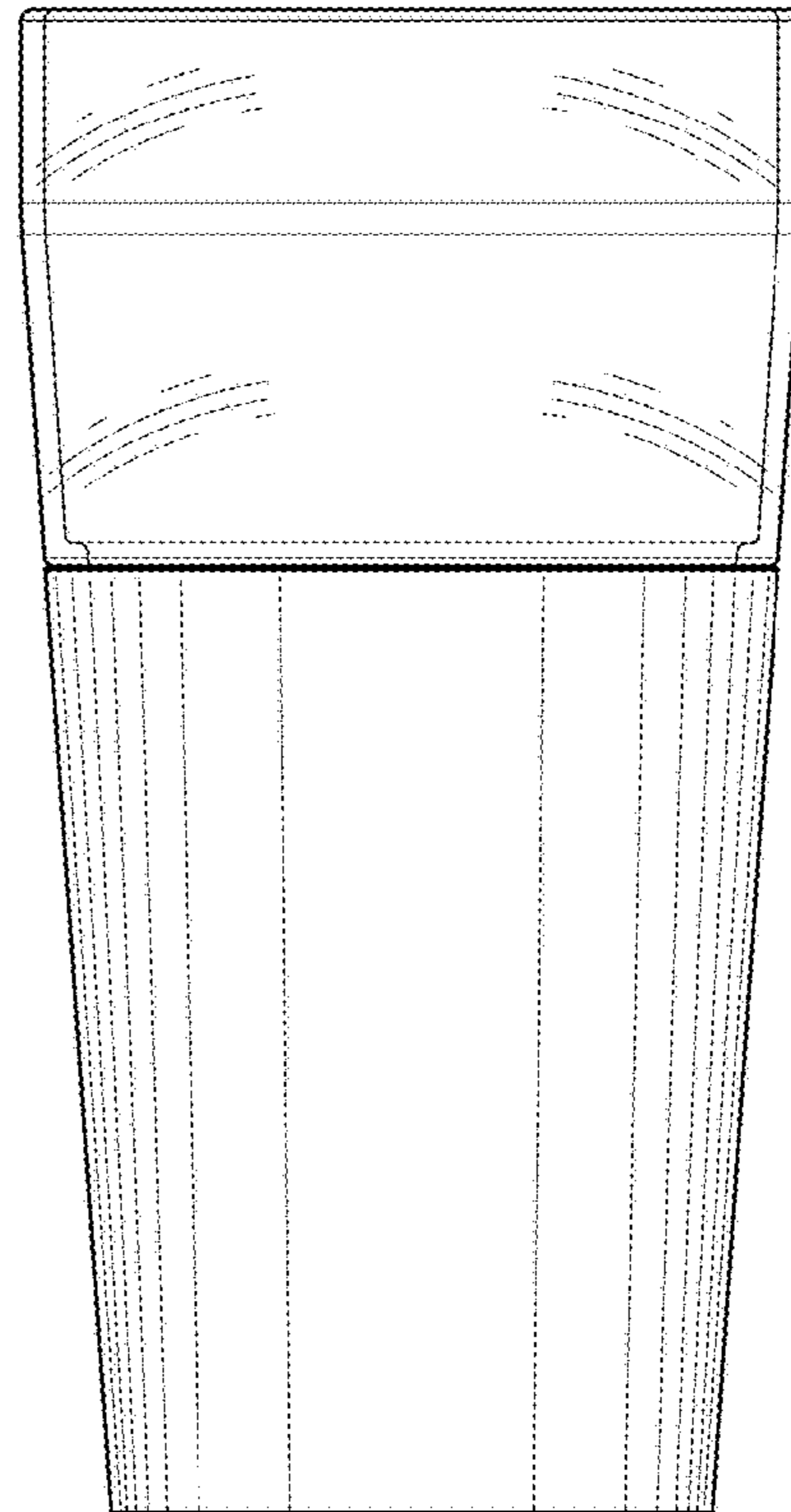


FIG. 3

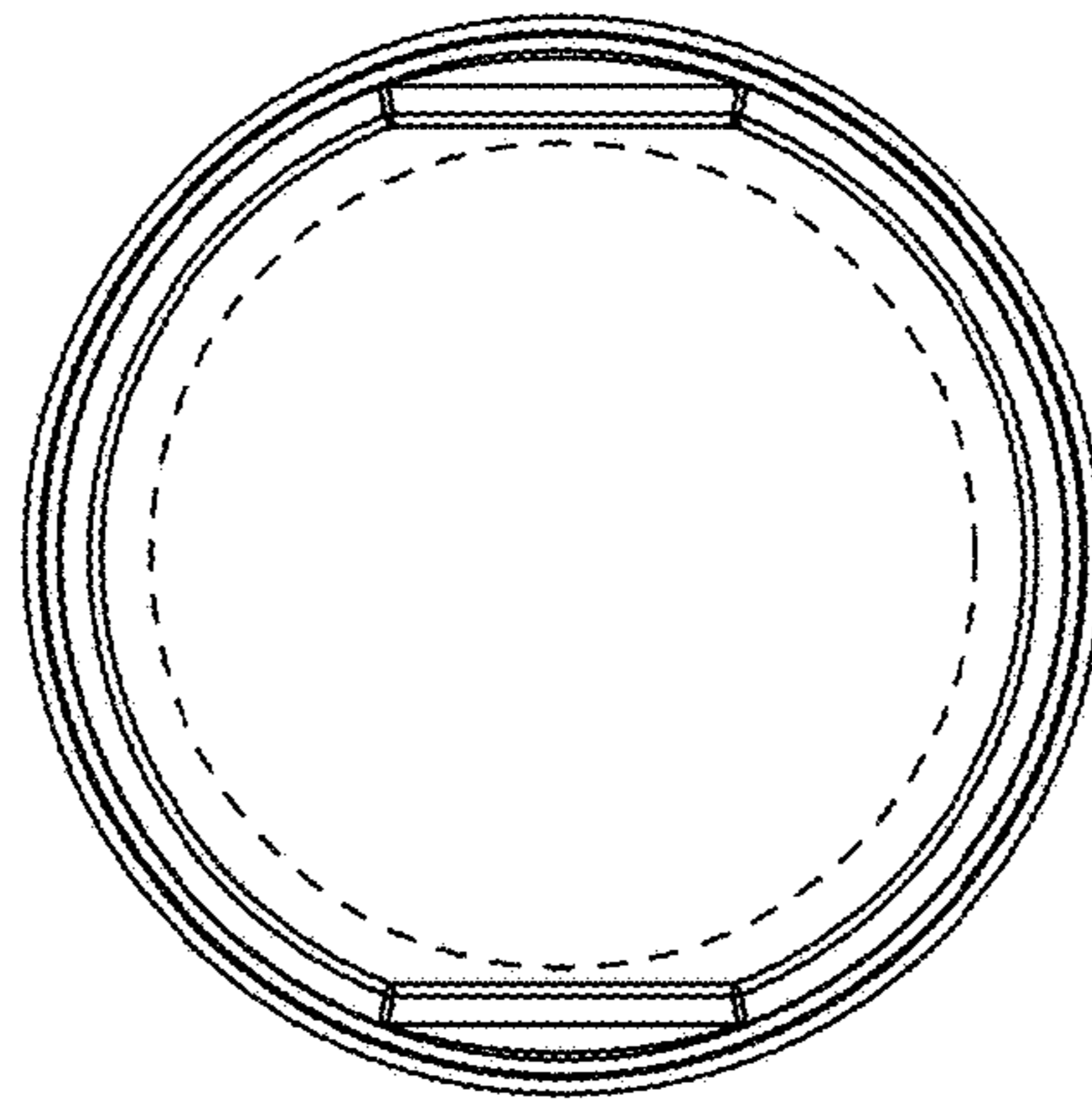


FIG. 4

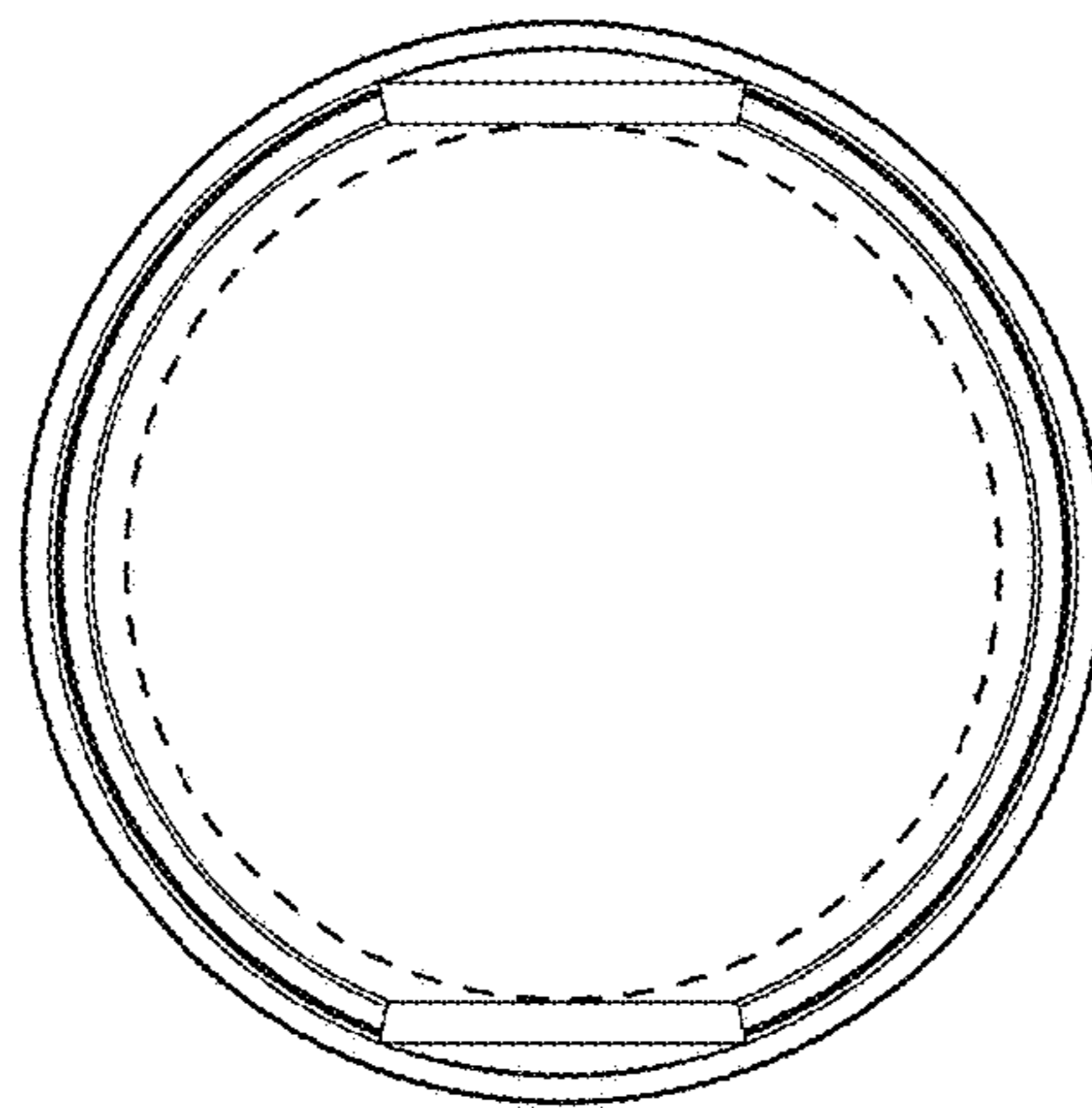


FIG. 5

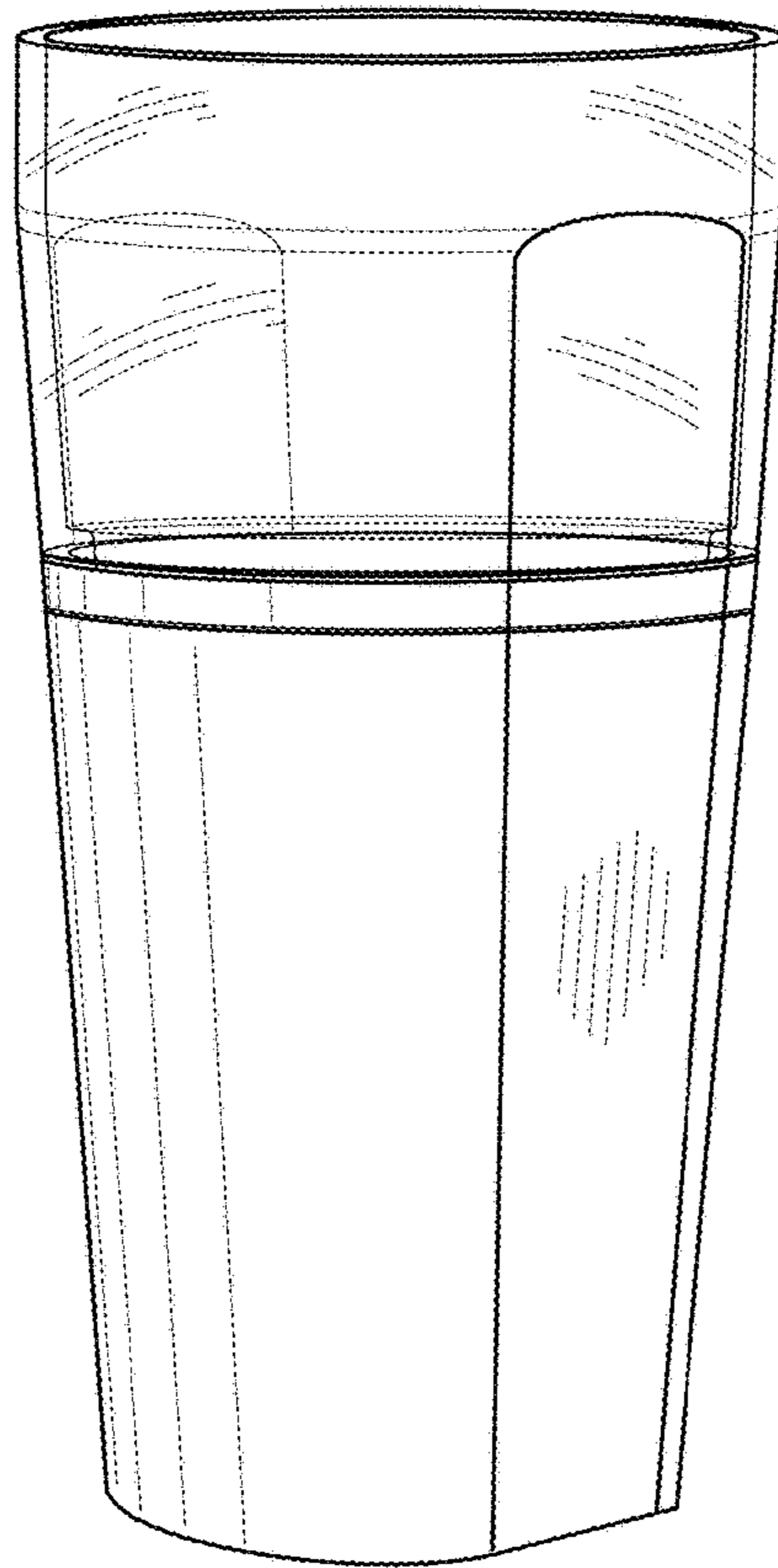


FIG. 6

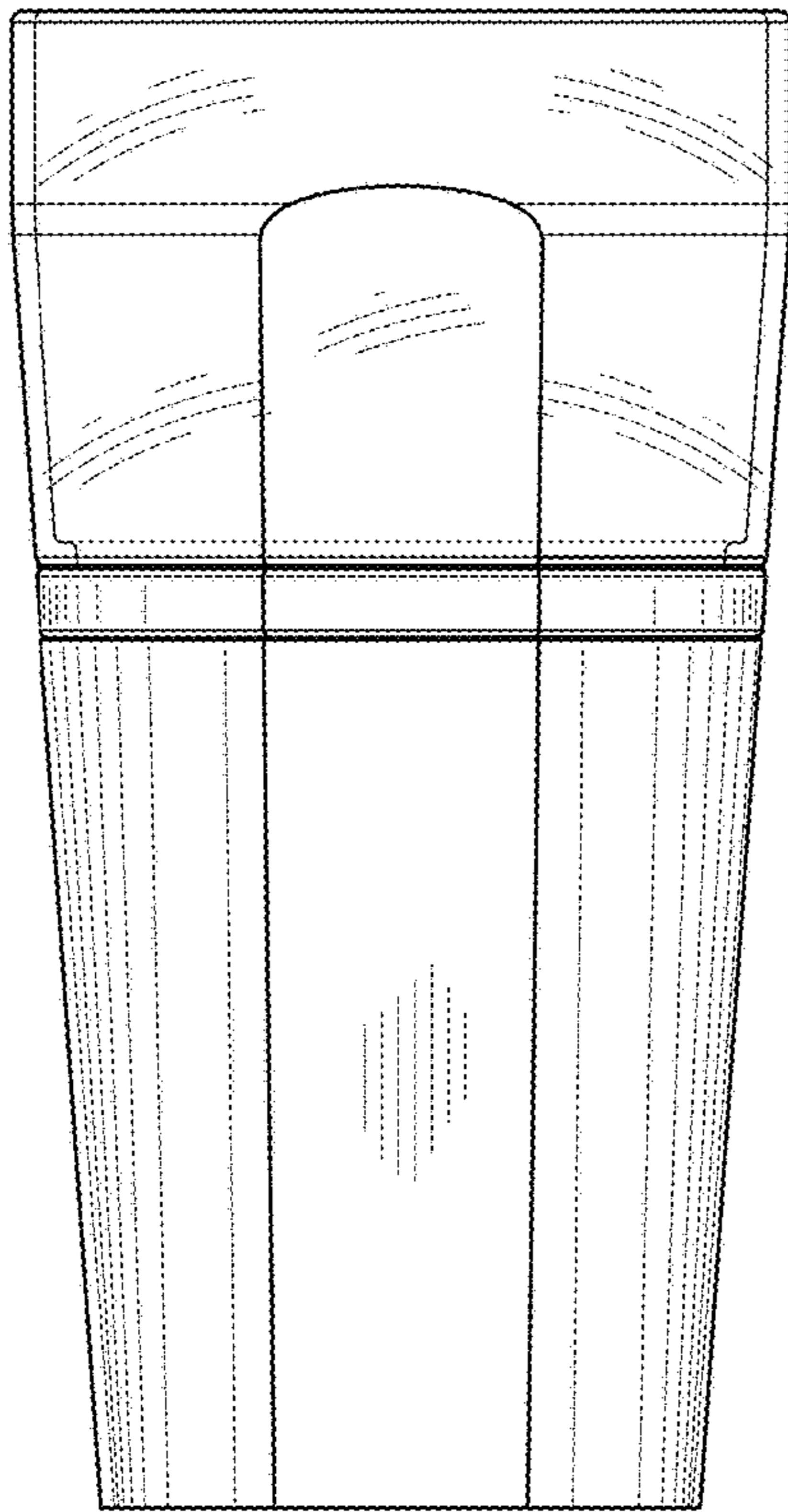


FIG. 7

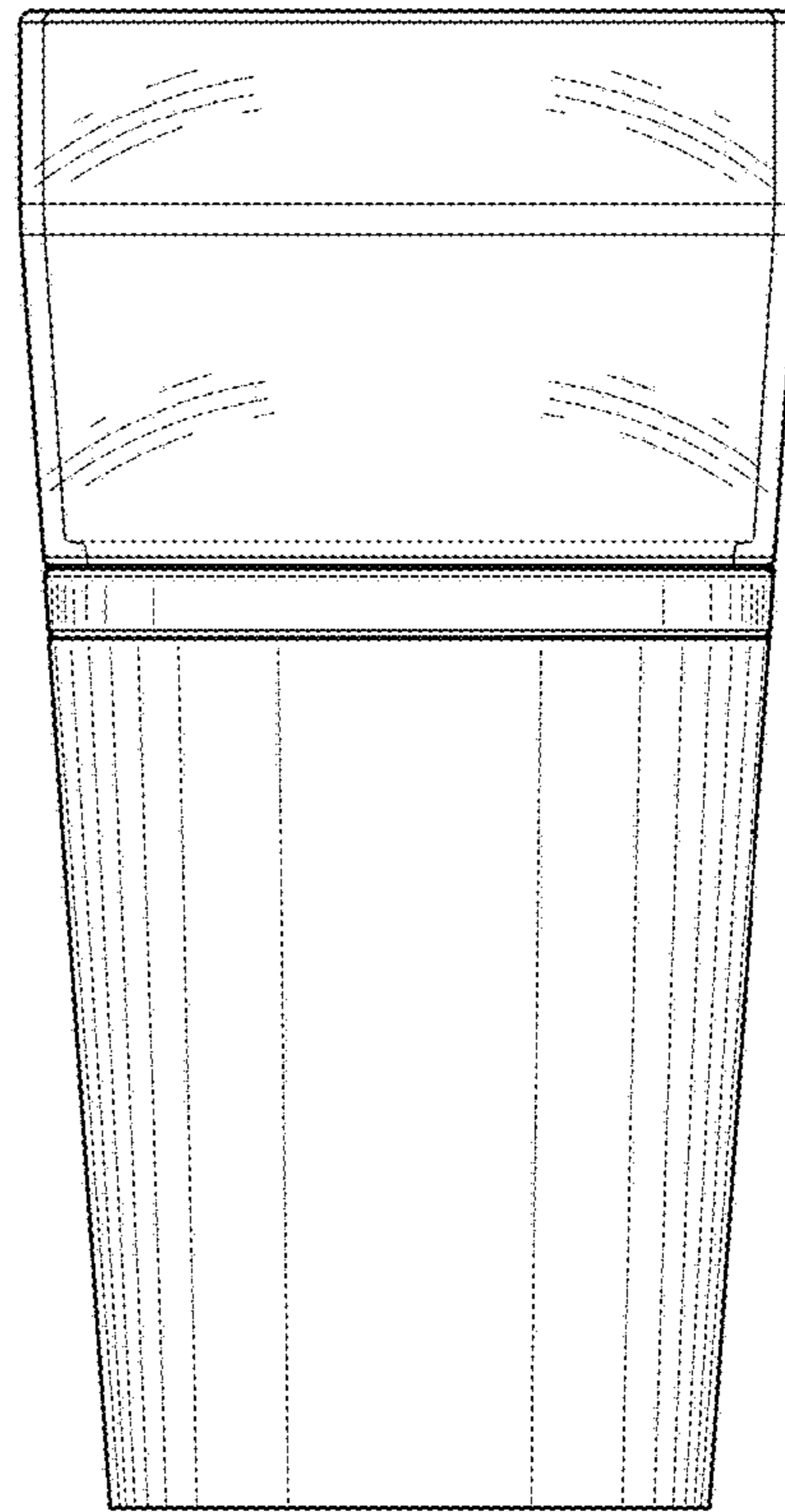


FIG. 8

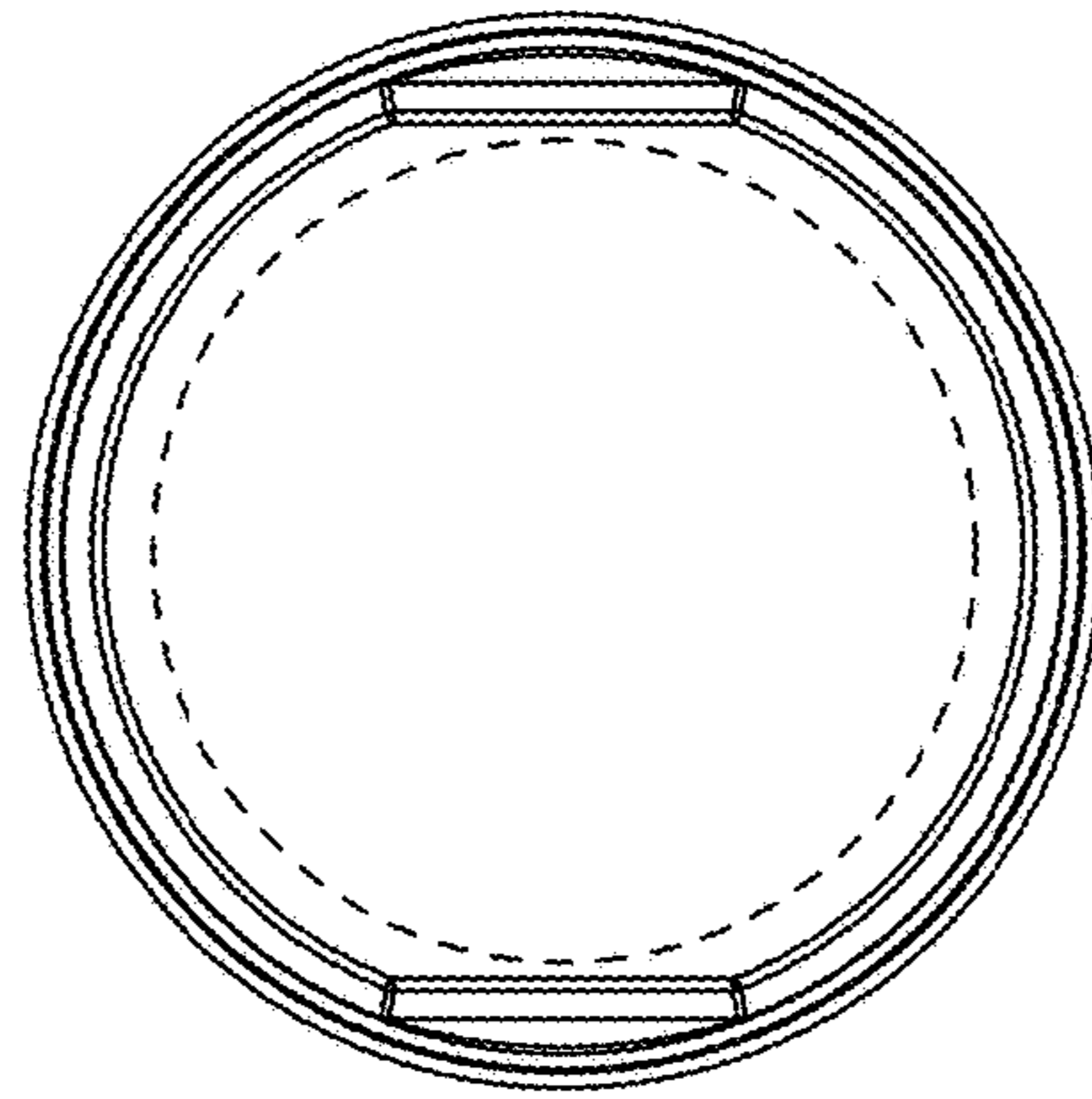


FIG. 9

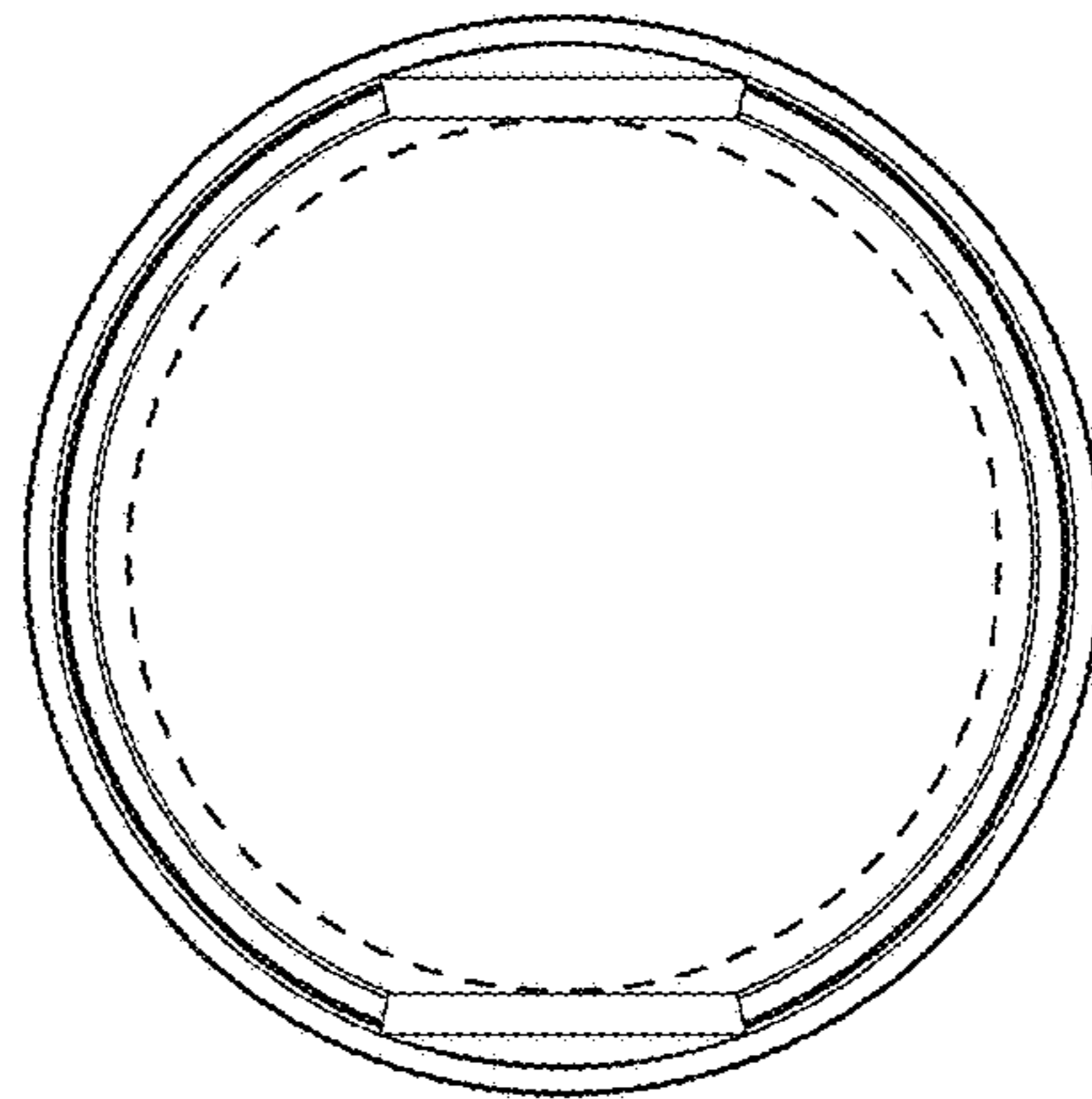


FIG. 10