



US00D858201S

(12) **United States Design Patent**
Danner

(10) **Patent No.:** **US D858,201 S**
(45) **Date of Patent:** **** Sep. 3, 2019**

- (54) **INSULATED SHOT GLASS**
- (71) Applicant: **Danner/AMSH, LLC**, Bixby, OK (US)
- (72) Inventor: **Dan G. Danner**, Bixby, OK (US)
- (73) Assignee: **Danner/AMSH, LLC**, Bixby, OK (US)
- (**) Term: **15 Years**
- (21) Appl. No.: **29/596,839**
- (22) Filed: **Mar. 10, 2017**

Related U.S. Application Data

- (63) Continuation-in-part of application No. 14/473,091, filed on Aug. 29, 2014.
- (60) Provisional application No. 61/995,701, filed on Apr. 18, 2014.
- (51) **LOC (12) Cl.** **07-01**
- (52) **U.S. Cl.**
USPC **D7/523**; D7/532; D7/507
- (58) **Field of Classification Search**
USPC D7/505, 507, 509, 510, 511, 523, 530, D7/531, 532, 300.1, 512, 513, 396.1, D7/396.2, 552.2, 553.6, 584, 672, 554.3, D7/557, 560, 562, 635, 608, 605, 396.4, D7/624.2; 220/592.16, 592.17; D9/453, D9/570, 557, 556, 569; D11/143, 144, D11/153; D99/25
CPC A47G 19/22; A47G 19/2205; A47G 19/2266; A47G 19/2227; B65D 1/265; B65D 3/06; A45F 3/20
See application file for complete search history.

(56) **References Cited**

U.S. PATENT DOCUMENTS

- D47,759 S * 8/1915 Pick D7/523
- 2,327,078 A * 8/1943 Teetor A47G 19/22
215/6

- 2,612,031 A * 9/1952 Cockriel A47G 19/22
215/392
- 2,622,415 A * 12/1952 Smith A47G 19/2288
220/592.01
- 2,661,889 A * 12/1953 Phinney A47G 19/2272
215/12.1
- 2,715,326 A * 8/1955 Gits B29C 45/26
215/10
- 2,832,493 A * 4/1958 Murphy A47G 23/03
215/12.1
- 3,205,677 A * 9/1965 Stoner A47G 19/2288
206/519
- 3,360,957 A * 1/1968 Paquin A47G 19/2288
62/457.3

(Continued)

Primary Examiner — Marianne N Pandozzi

Assistant Examiner — Jae Liang

(74) *Attorney, Agent, or Firm* — Head, Johnson, Kachigian & Wilkinson, PC

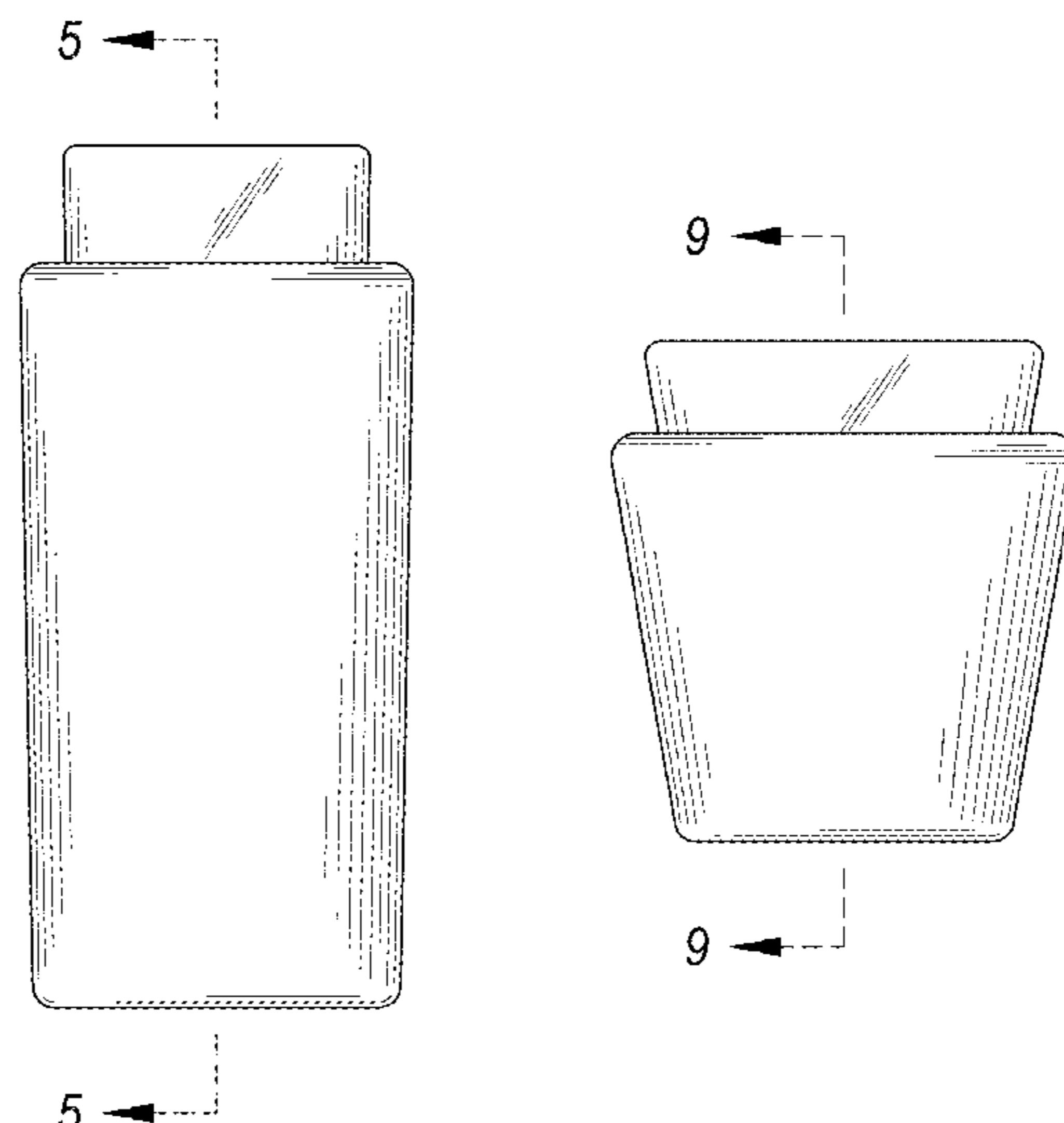
(57) **CLAIM**

The ornamental design for an insulated shot glass, as shown and described.

DESCRIPTION

FIG. 1 is a first embodiment of an insulated shot glass showing my new design;
 FIG. 2 is a top view thereof;
 FIG. 3 is a bottom view thereof;
 FIG. 4 is a front view thereof, where the back, right side, and left side views are identical to the front view;
 FIG. 5 is a cross-sectional view showing a section taken along line 5-5 of FIG. 4;
 FIG. 6 is a top view of a second embodiment of the insulated shot glass;
 FIG. 7 is a bottom view thereof;
 FIG. 8 is a front view thereof, where the back, right side, and left side views are identical to the front view; and,
 FIG. 9 is a cross-sectional view showing a section taken along line 9-9 of FIG. 8.

1 Claim, 3 Drawing Sheets



(56)

References Cited

U.S. PATENT DOCUMENTS

3,473,682	A *	10/1969	Studen	A47G 23/0216 215/12.1
3,765,559	A *	10/1973	Sauey	A47G 19/2288 215/12.1
3,967,991	A *	7/1976	Shimano	B29C 43/02 156/85
4,040,535	A	8/1977	Shephard		
4,163,374	A *	8/1979	Moore	B65D 81/3883 220/592.01
D257,314	S *	10/1980	Robison	D7/608
4,273,245	A *	6/1981	Hartinger Machalek	A47G 19/2288 215/12.1
4,841,743	A *	6/1989	Brier	F25D 3/08 62/457.9
4,882,914	A *	11/1989	Haines-Keeley	B65D 81/3883 62/457.4
4,957,254	A	9/1990	Hill et al.		
5,022,235	A *	6/1991	Grissom	B65D 81/3886 62/372
D318,596	S *	7/1991	Watts	D7/325
5,361,604	A *	11/1994	Pier	B65D 81/3883 62/371
D392,842	S *	3/1998	Parpaiola	D7/509
6,213,335	B1 *	4/2001	Wilson	B65D 3/06 206/517
6,442,961	B1	9/2002	Rosenberg et al.		
D513,479	S *	1/2006	Behrens	D11/144
D572,533	S *	7/2008	Mansfield	D7/509
D580,228	S *	11/2008	Hayden	D7/509
D610,411	S *	2/2010	Holladay	D7/396.2
7,694,843	B2	4/2010	Hollis		
D614,920	S *	5/2010	Dobbin	D7/624.2
D620,757	S *	8/2010	Ahlm	D7/509
D622,553	S *	8/2010	Bollenbacher	D7/608
D631,701	S *	2/2011	Flick	D7/509
8,061,551	B2	11/2011	Matlovich		
D663,169	S *	7/2012	Beggins	D7/608
D703,492	S *	4/2014	Schmidt	D7/608
D717,114	S *	11/2014	Katterheinrich	D7/505
D722,249	S *	2/2015	Valderrama	D7/396.2
D789,155	S *	6/2017	Triato	D7/624.2
D797,509	S *	9/2017	Gobrecht	D11/143
D803,635	S *	11/2017	de Guzman	D7/624.2
D805,856	S *	12/2017	Rivera	D7/624.2
D817,718	S *	5/2018	Furneaux	D7/532
2002/0148832	A1	10/2002	Breining et al.		
2002/0172818	A1	11/2002	DeBaal		
2004/0084460	A1	5/2004	Scheetz, II et al.		
2008/0210694	A1	12/2008	Castonguay		
2010/0308361	A1	12/2010	Beeson et al.		
2013/0119065	A1 *	5/2013	Buck	A47G 19/2205 220/523
2013/0287901	A1 *	10/2013	Hong	A47G 19/16 426/83
2013/0334233	A1	12/2013	Vandenlangenberg		
2016/0066719	A1 *	3/2016	Perez	B65D 81/3222 426/79
2016/0304246	A1 *	10/2016	Cramer	A47G 19/2205

* cited by examiner

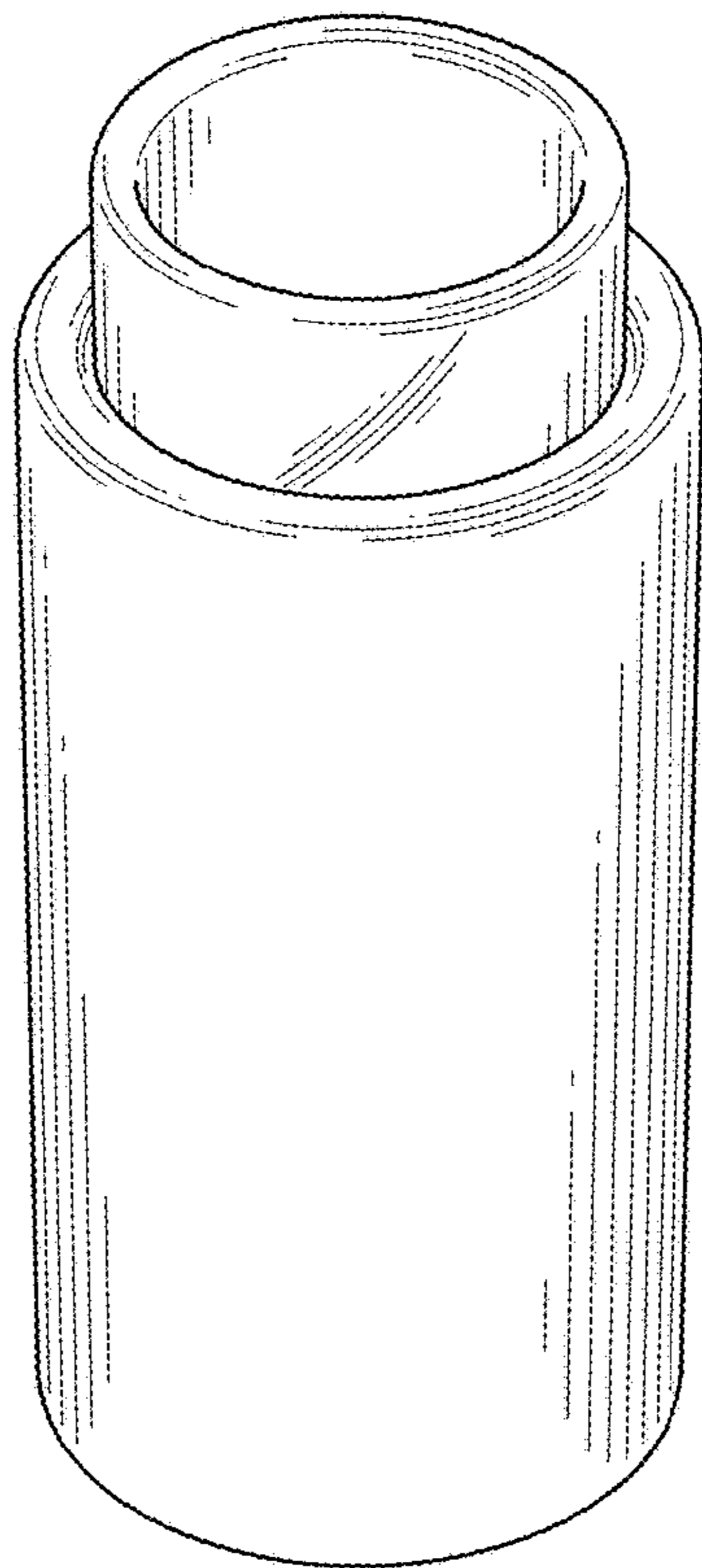


FIG. 1

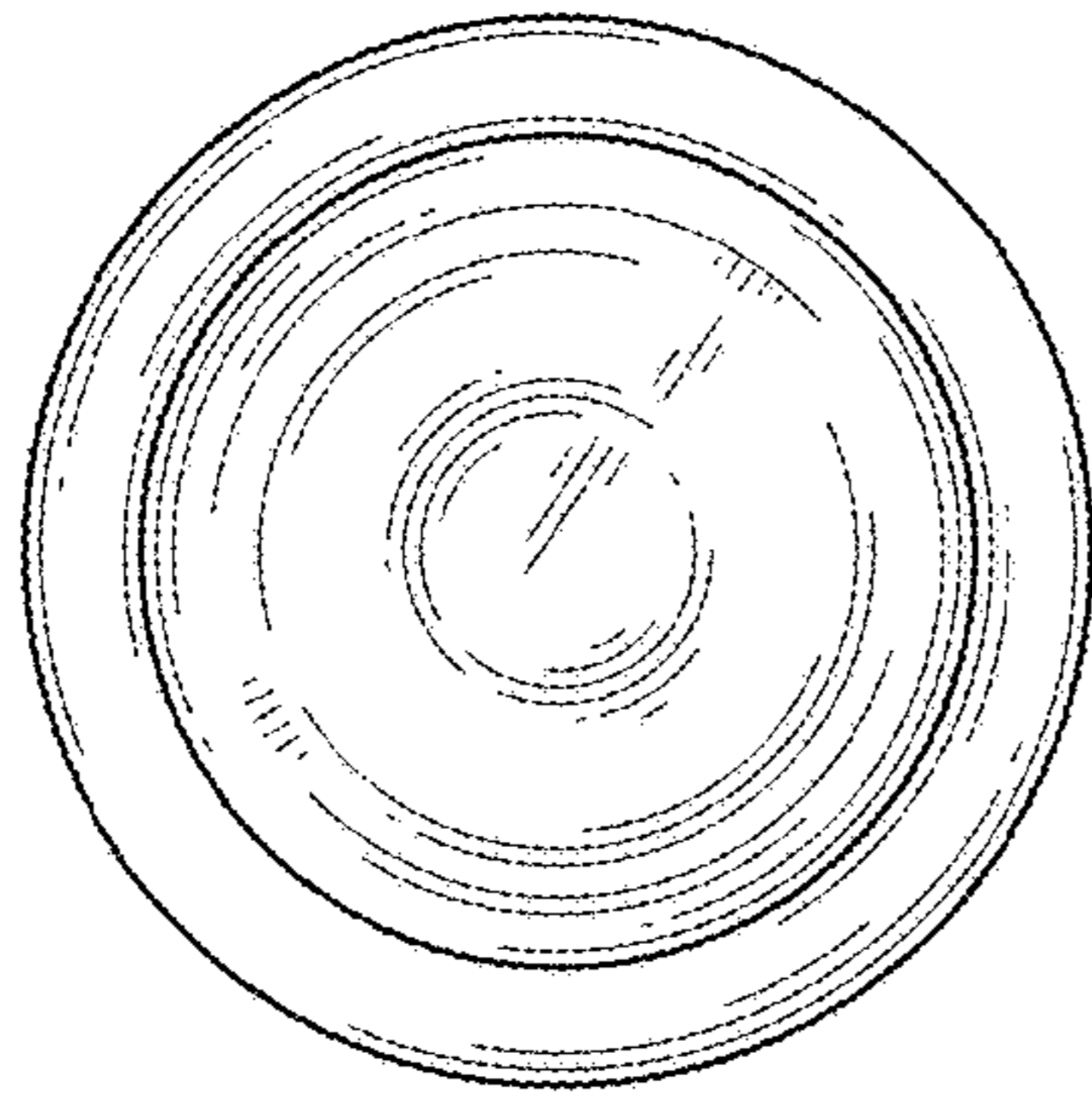


FIG. 2

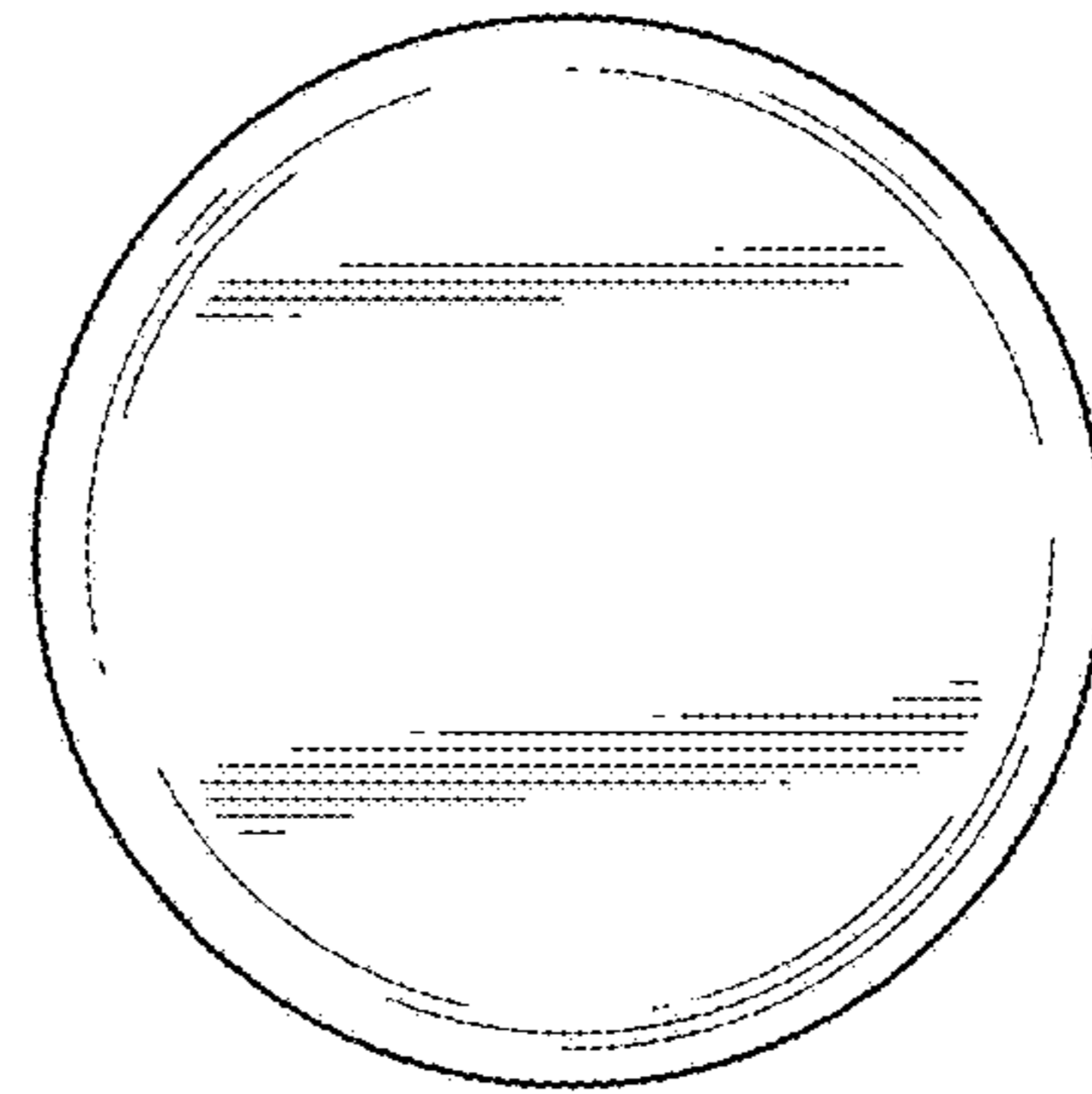


FIG. 3

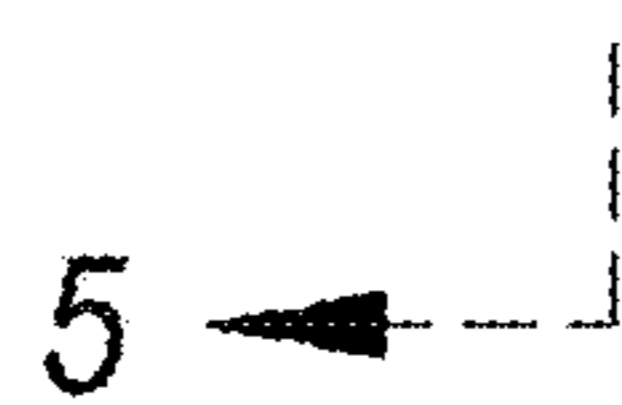
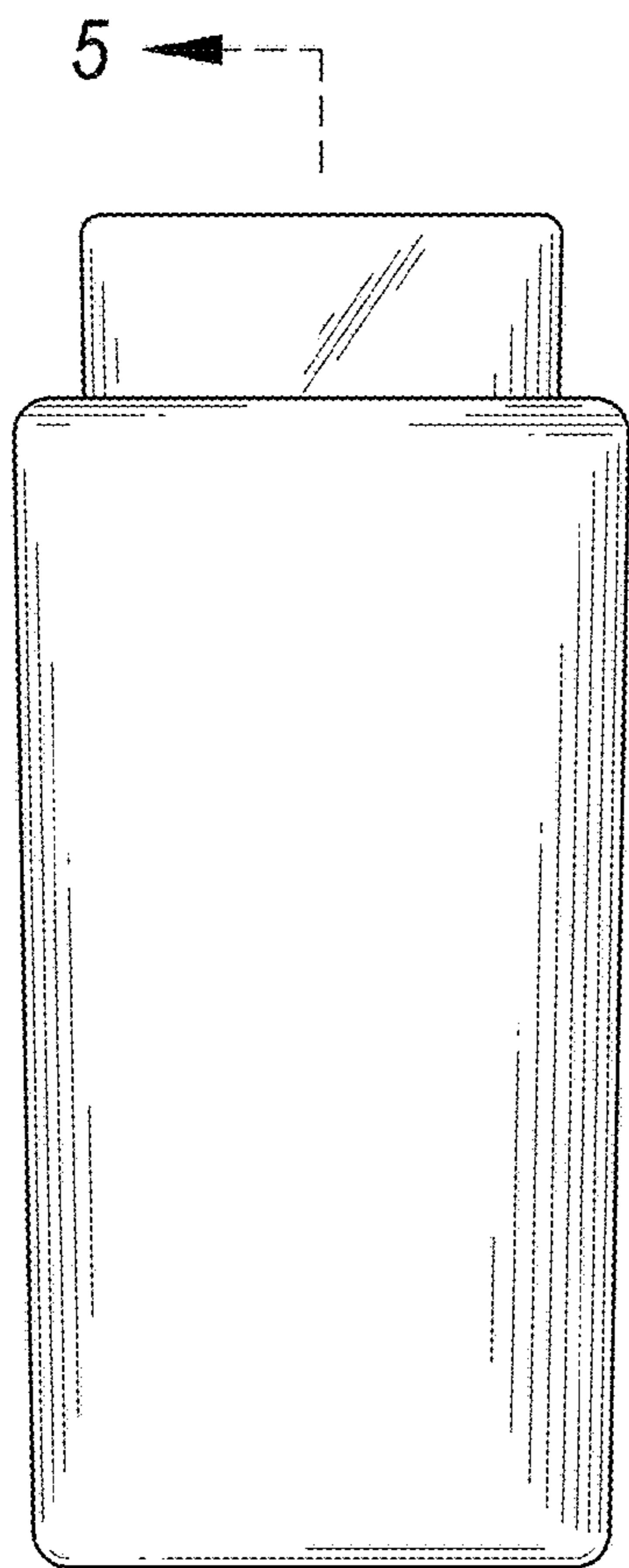


FIG. 4

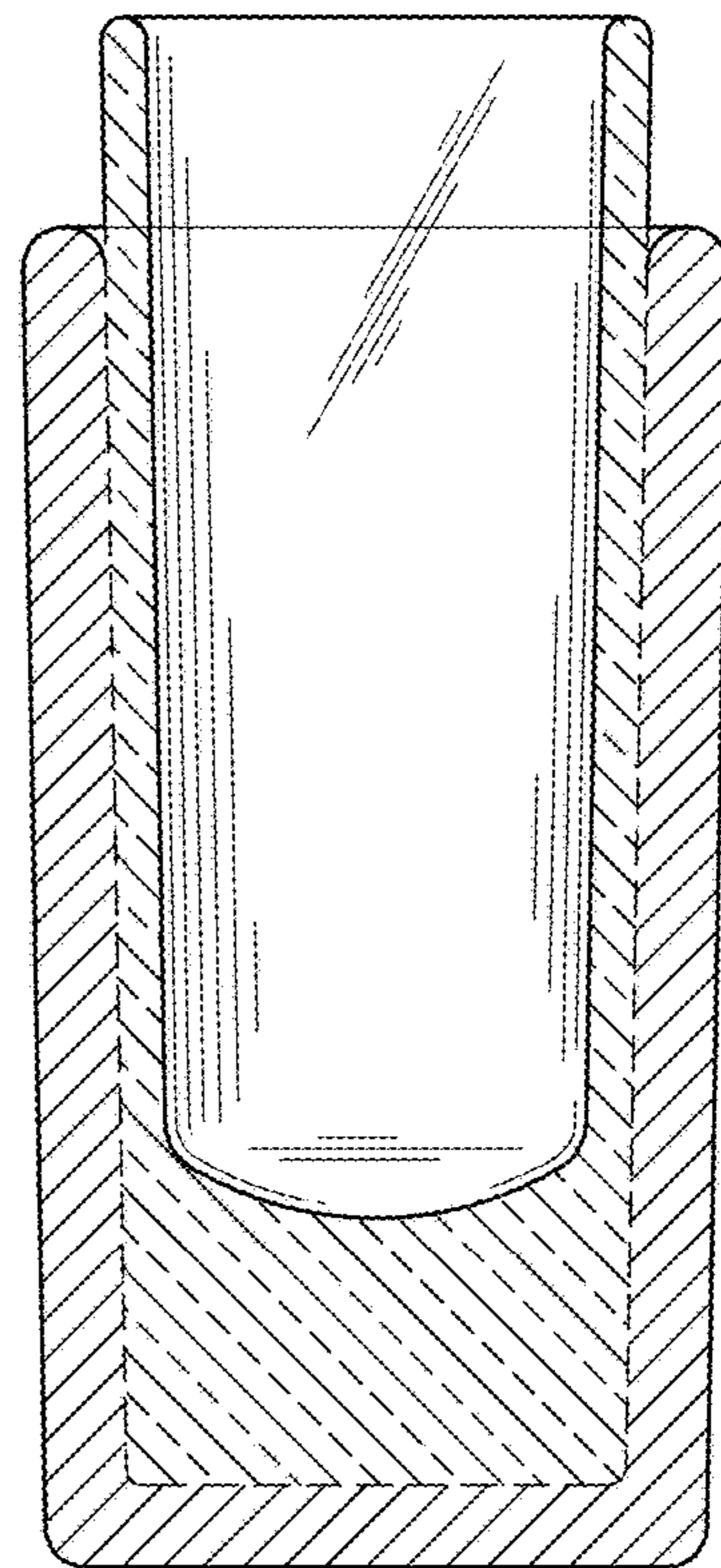


FIG. 5

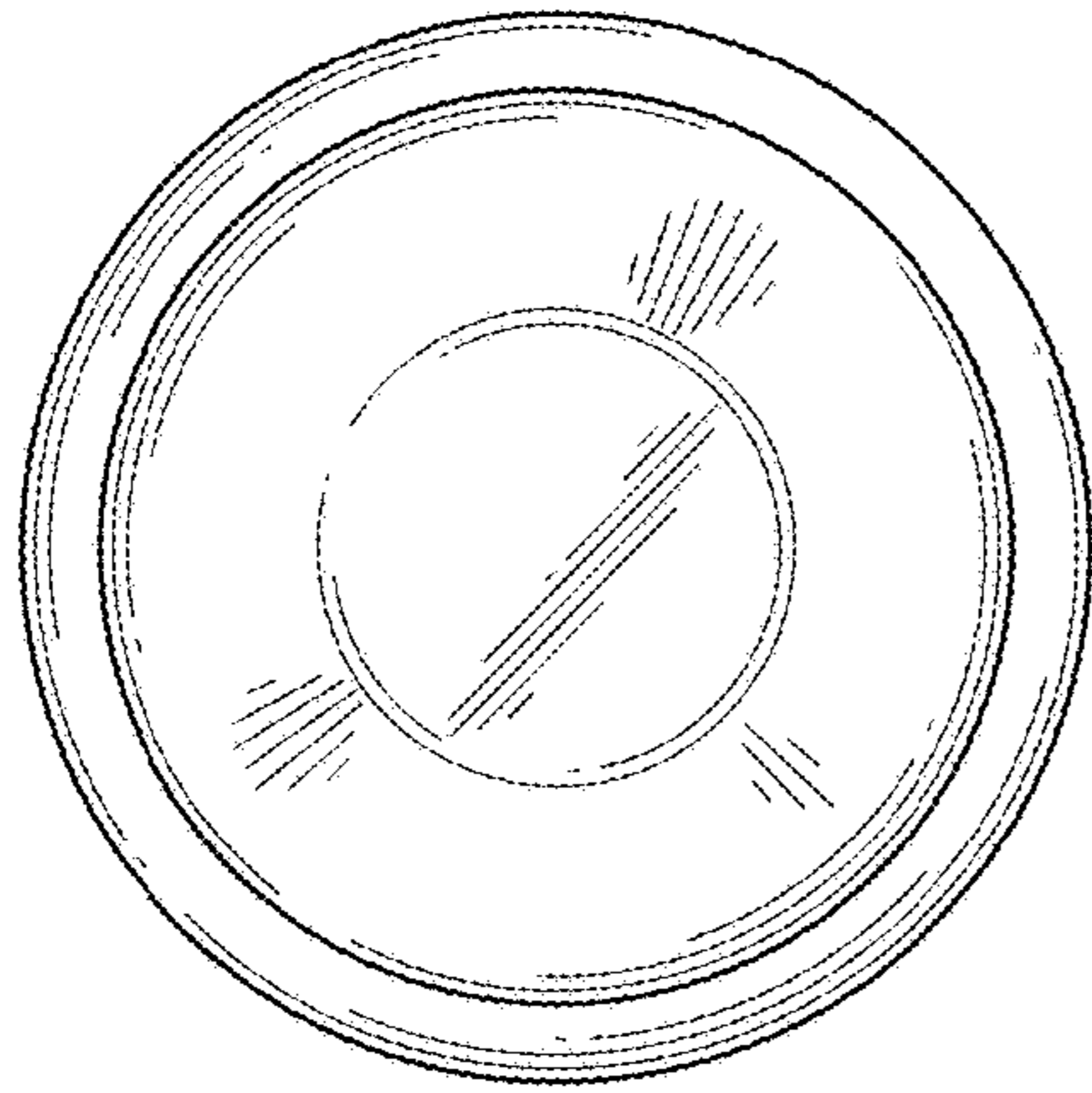


FIG. 6

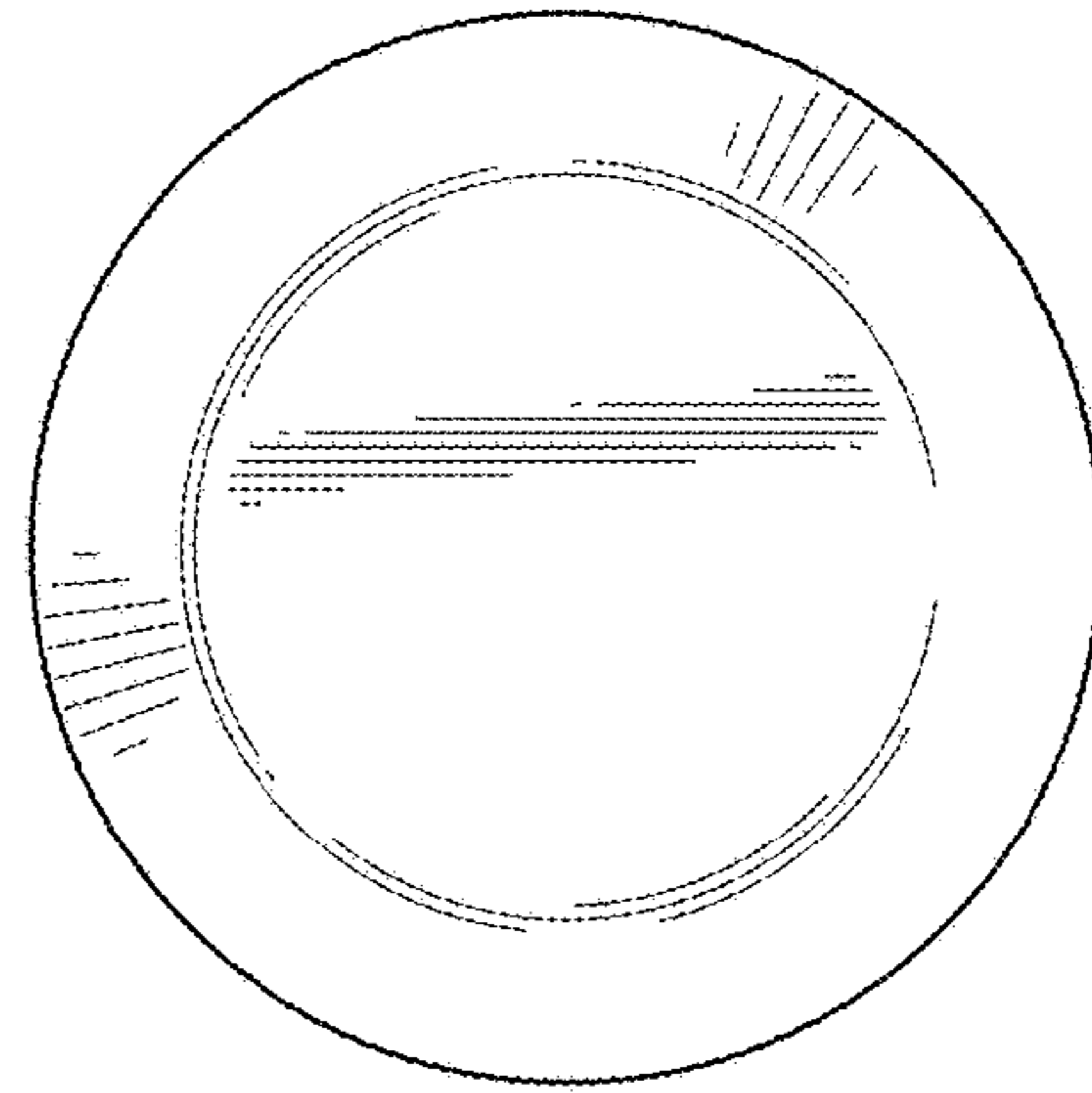


FIG. 7

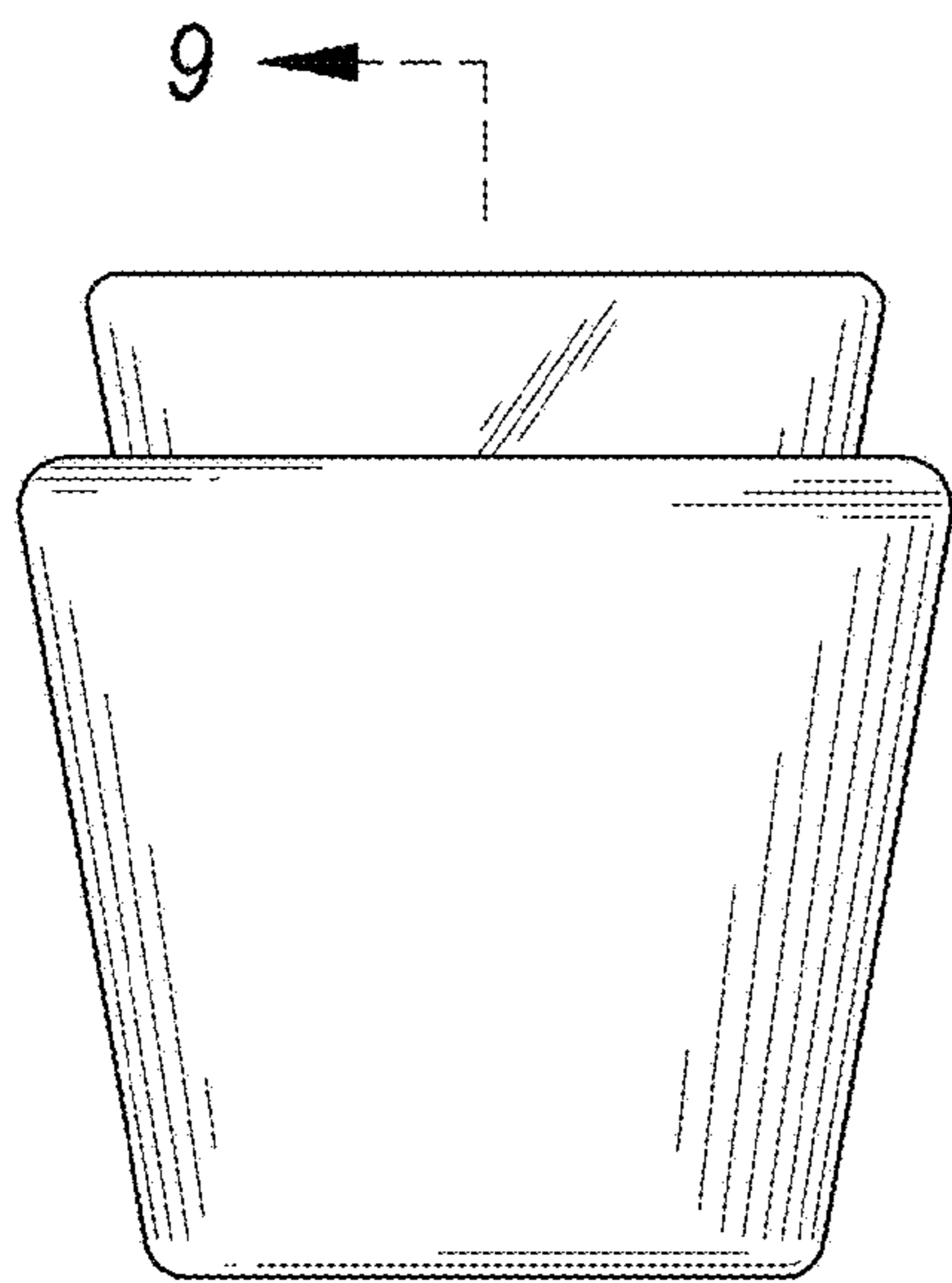


FIG. 8

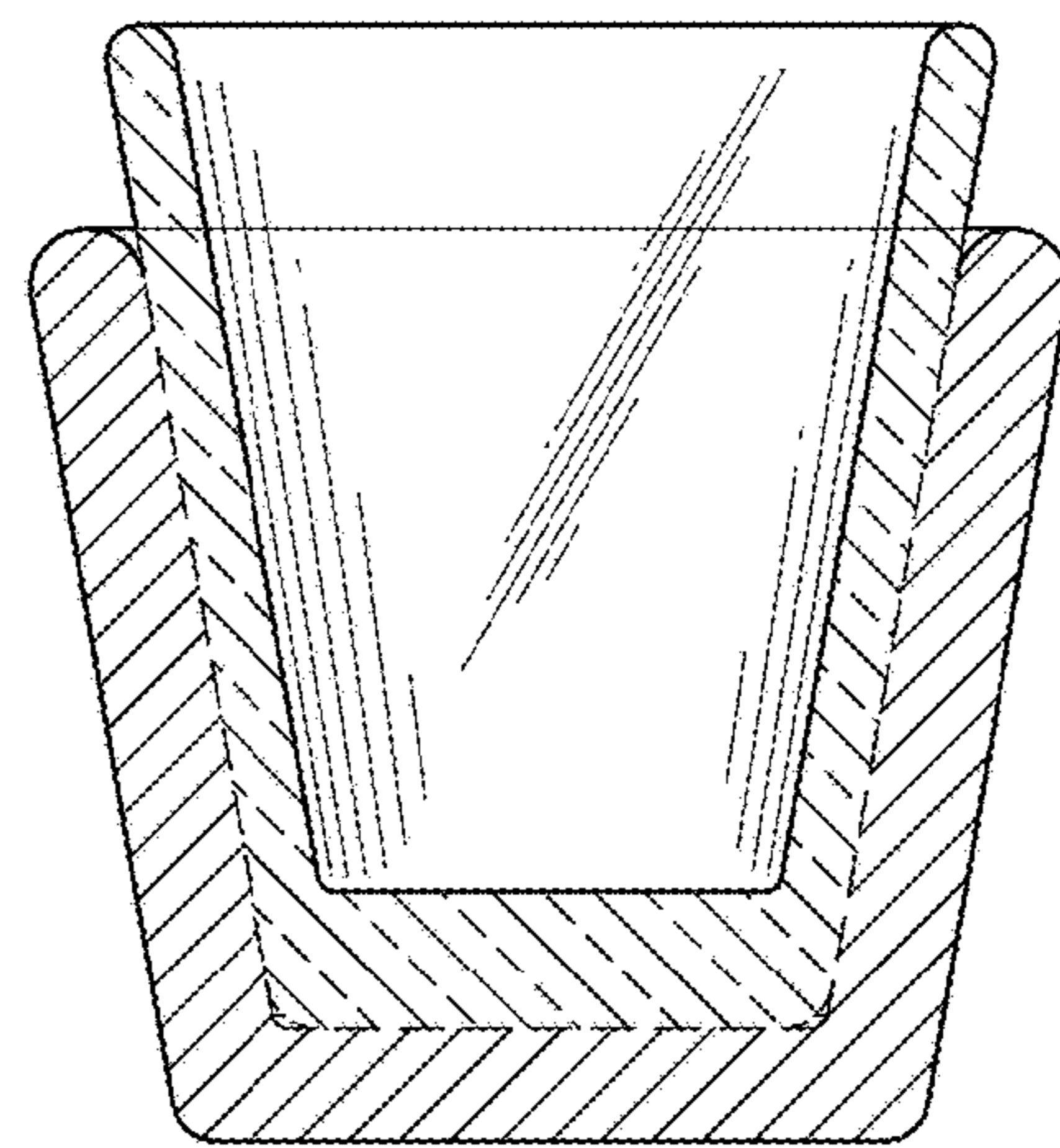


FIG. 9