



US00D858196S

(12) **United States Design Patent**
Graham et al.

(10) **Patent No.:** **US D858,196 S**

(45) **Date of Patent:** **** Sep. 3, 2019**

(54) **CONTAINER**

(71) Applicant: **SEVUN SCIENTIFIC, INC.**, College Station, TX (US)

(72) Inventors: **Jonathan T. Graham**, College Station, TX (US); **Brandon P. Dixon**, College Station, TX (US)

(73) Assignee: **Sevun Scientific, Inc.**, College Station, TX (US)

(**) Term: **15 Years**

(21) Appl. No.: **29/622,578**

(22) Filed: **Oct. 18, 2017**

(51) **LOC (12) Cl.** **07-01**

(52) **U.S. Cl.**

USPC **D7/507; D7/400; D7/667; D7/396.3**

(58) **Field of Classification Search**

USPC **D7/507, 509, 510, 511, 523, 532, 529, D7/530, 531, 608, 392.1, 396.2, 396.3, D7/213, 395, 376, 305, 300, 624.2, 310, D7/400, 667; D9/502, 503, 504, 429; D28/85, 76, 82; D8/393, 397, 330, 346; D25/48.1; D21/385; D23/260, 261, 268**

CPC **A47G 19/22; A47G 19/2205; A47G 19/2211; A47G 19/2222; A45F 3/20; A45F 3/16; A47J 41/02**

See application file for complete search history.

(56) **References Cited**

U.S. PATENT DOCUMENTS

D431,413 S *	10/2000	Schaper	D7/393
D455,609 S *	4/2002	Mandel	D7/510
D502,362 S *	3/2005	Lazaris	D7/400
D558,515 S *	1/2008	Holub	D7/387
D565,901 S *	4/2008	Edelstein	D7/510
D571,609 S *	6/2008	Bouie	D7/396.2

D671,795 S *	12/2012	Tai	D7/392.1
D675,063 S *	1/2013	Wahl	D7/510
D677,986 S *	3/2013	Gatto	D7/396.1
D681,393 S *	5/2013	Agarwal	D7/213
D713,686 S *	9/2014	Eyal	D7/509
D727,684 S *	4/2015	Forsyth	D7/510
D745,328 S *	12/2015	Magri	D1/105
D762,085 S *	7/2016	McDonald	D7/392
D762,413 S *	8/2016	McDonald	D7/392
D762,414 S *	8/2016	McDonald	D7/392
D765,467 S *	9/2016	McDonald	D7/392
D797,510 S *	9/2017	Ke	D7/510
D806,466 S *	1/2018	Deacon	D7/392
D808,212 S *	1/2018	Deacon	D7/392
D808,218 S *	1/2018	Seiders	D7/510
D813,605 S *	3/2018	Seiders	D7/532
D814,240 S *	4/2018	Kabalin	D7/510
D814,865 S *	4/2018	Breit	D7/510
D826,054 S *	8/2018	Trombetta	D9/503

(Continued)

Primary Examiner — Marianne N Pandozzi

Assistant Examiner — Jae Liang

(74) *Attorney, Agent, or Firm* — Jackson Walker, LLP

(57) **CLAIM**

The ornamental design for a container, as shown and described.

DESCRIPTION

FIG. 1 is a perspective view of a container showing our new design;

FIG. 2 is a side view thereof; the opposite side view being a mirror image thereof;

FIG. 3 is a front view thereof;

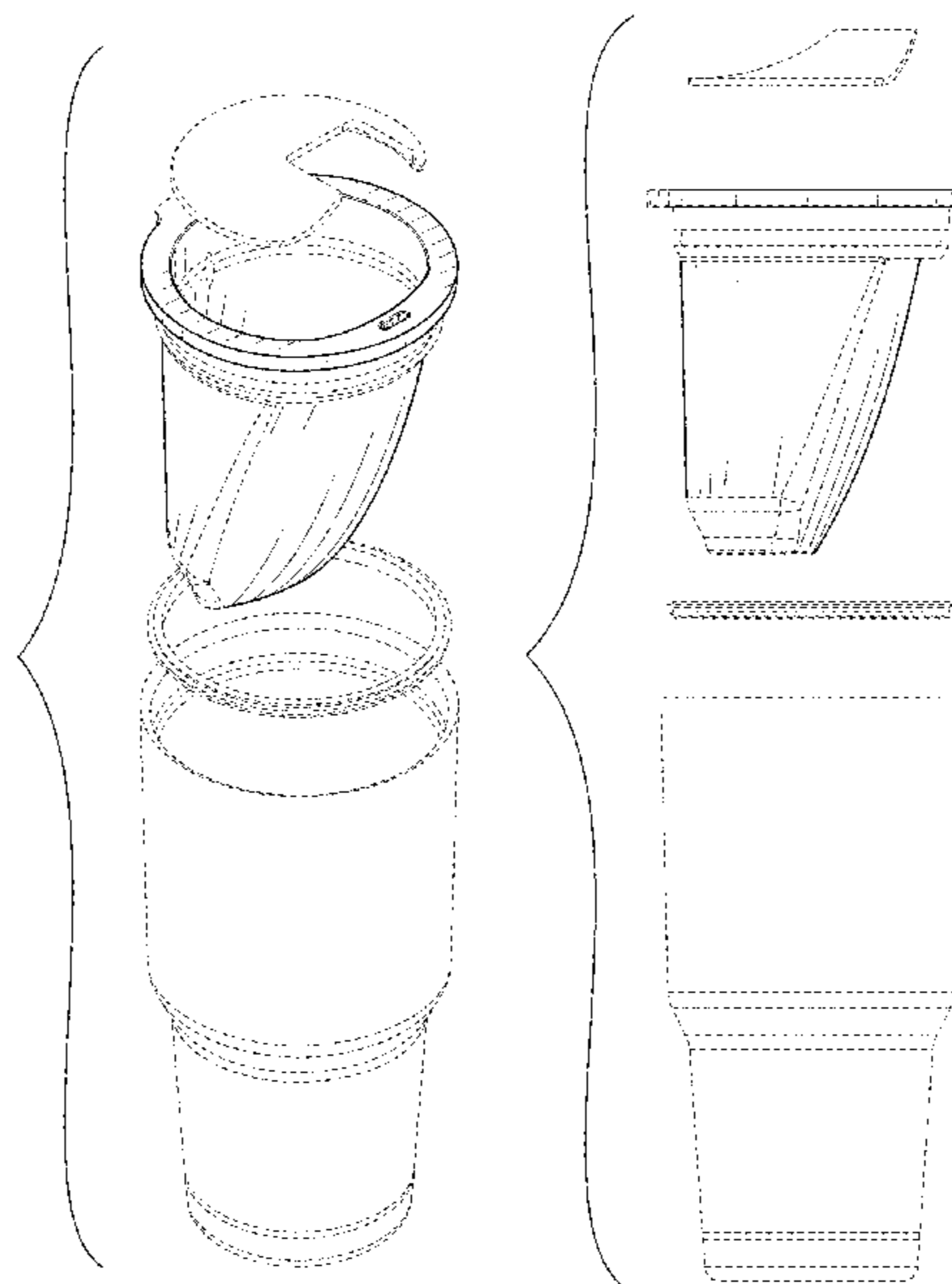
FIG. 4 is a rear view thereof;

FIG. 5 is a top view thereof; and,

FIG. 6 is a bottom view thereof.

The broken lines shown in the figures are included for the purpose of showing portions of the container or the environmental structure that form no part of the claimed design.

1 Claim, 4 Drawing Sheets



(56)

References Cited

U.S. PATENT DOCUMENTS

D830,127 S * 10/2018 Rohe D7/510
D833,817 S * 11/2018 Sletten D7/510
2005/0279220 A1* 12/2005 Cheng A47G 19/22
99/323

* cited by examiner

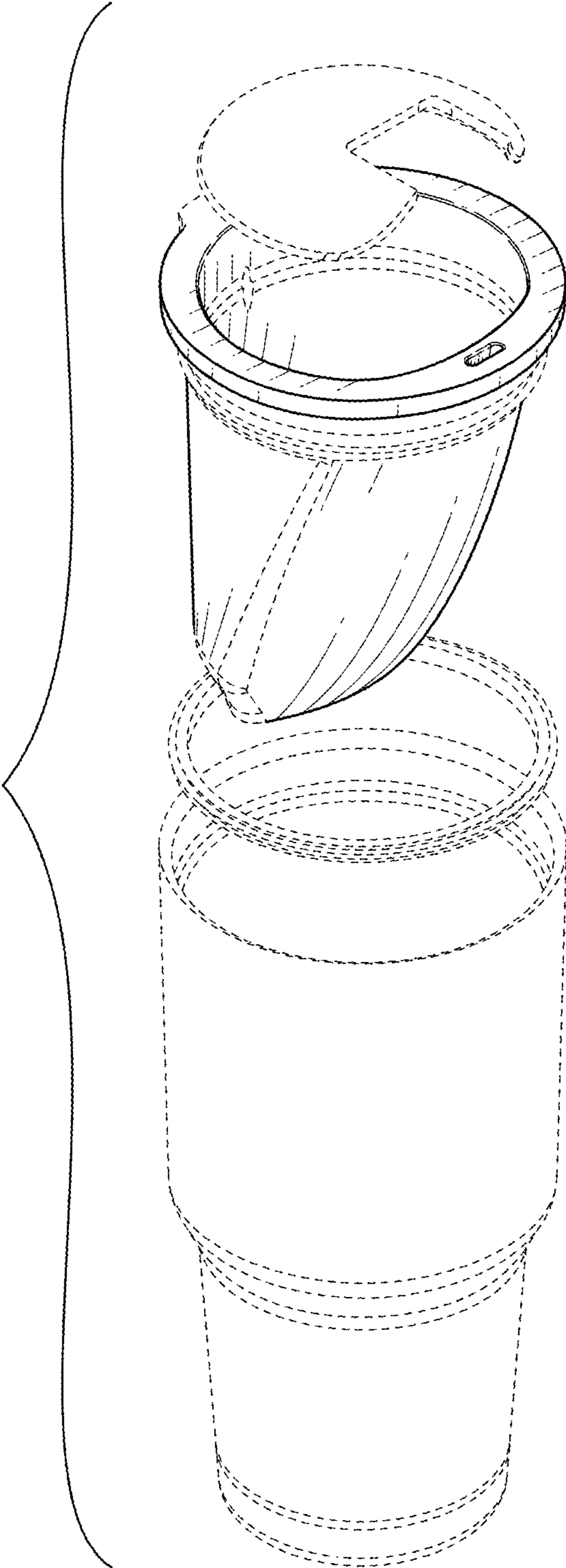


FIG. 1

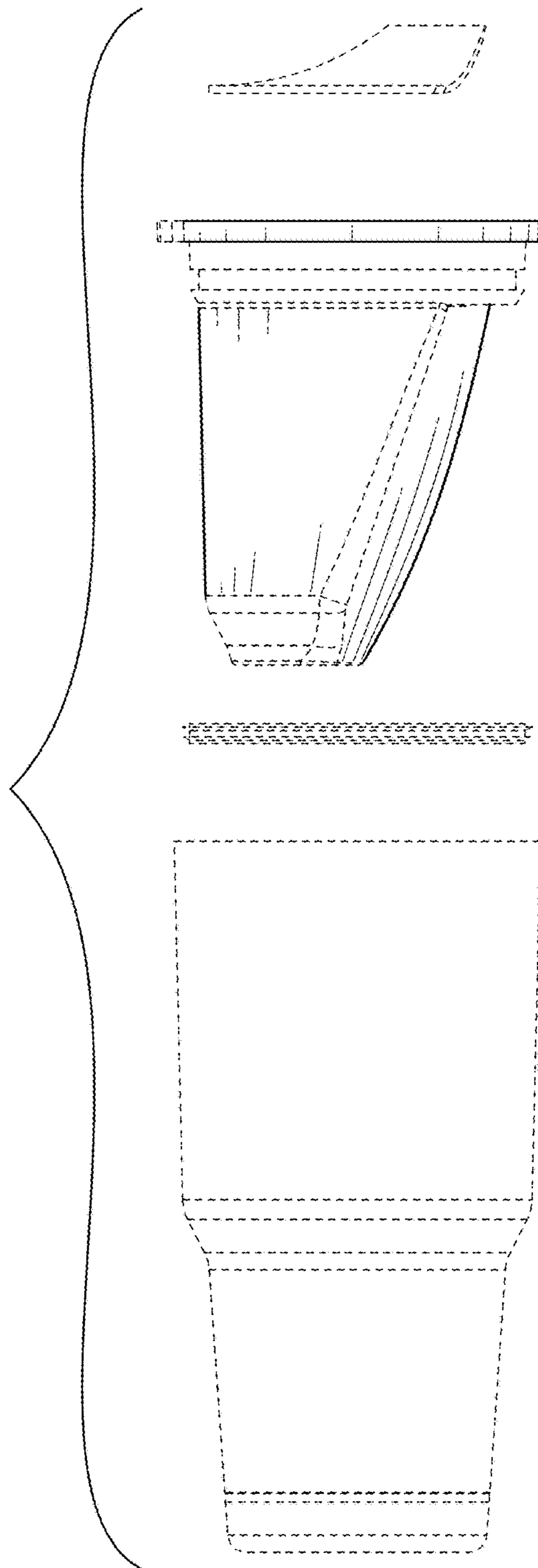


FIG. 2

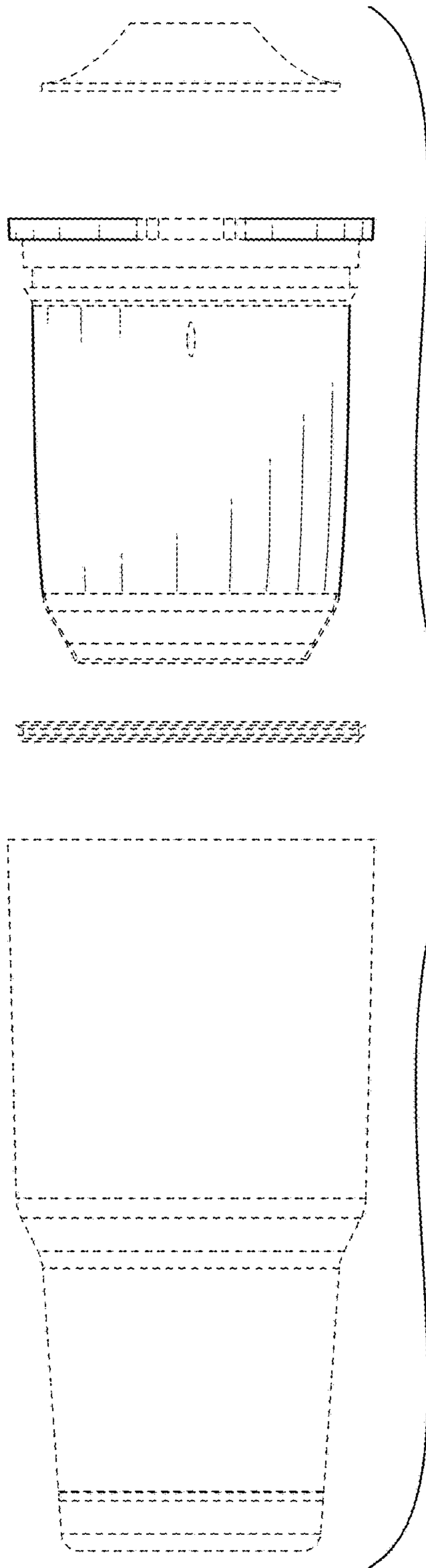


FIG. 3

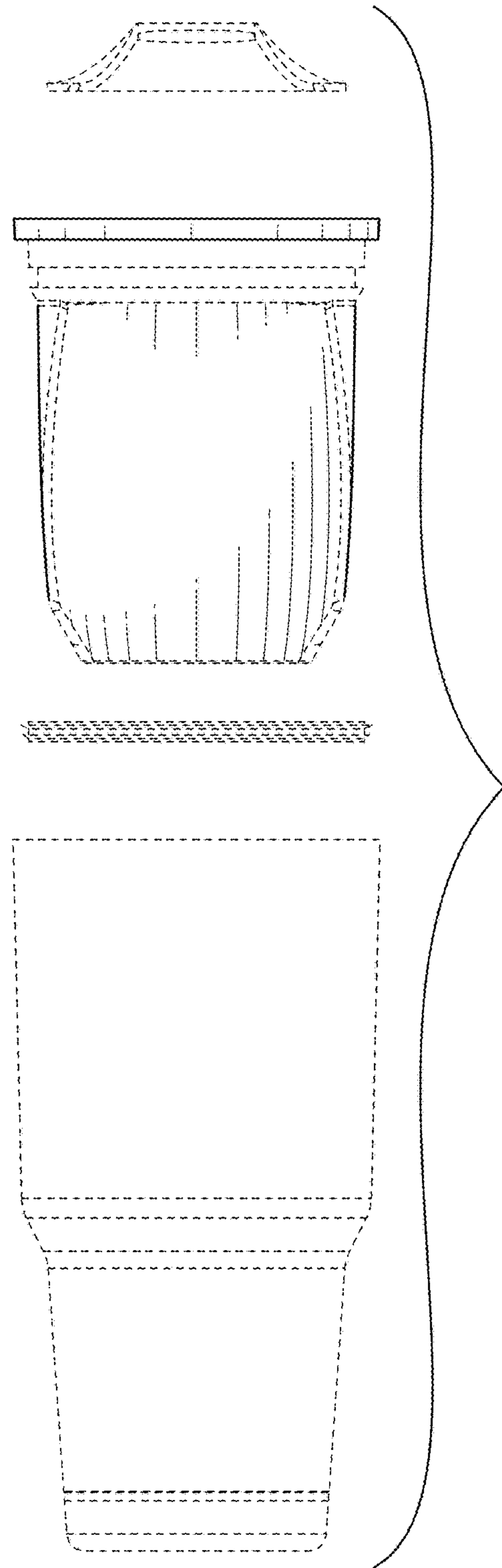


FIG. 4

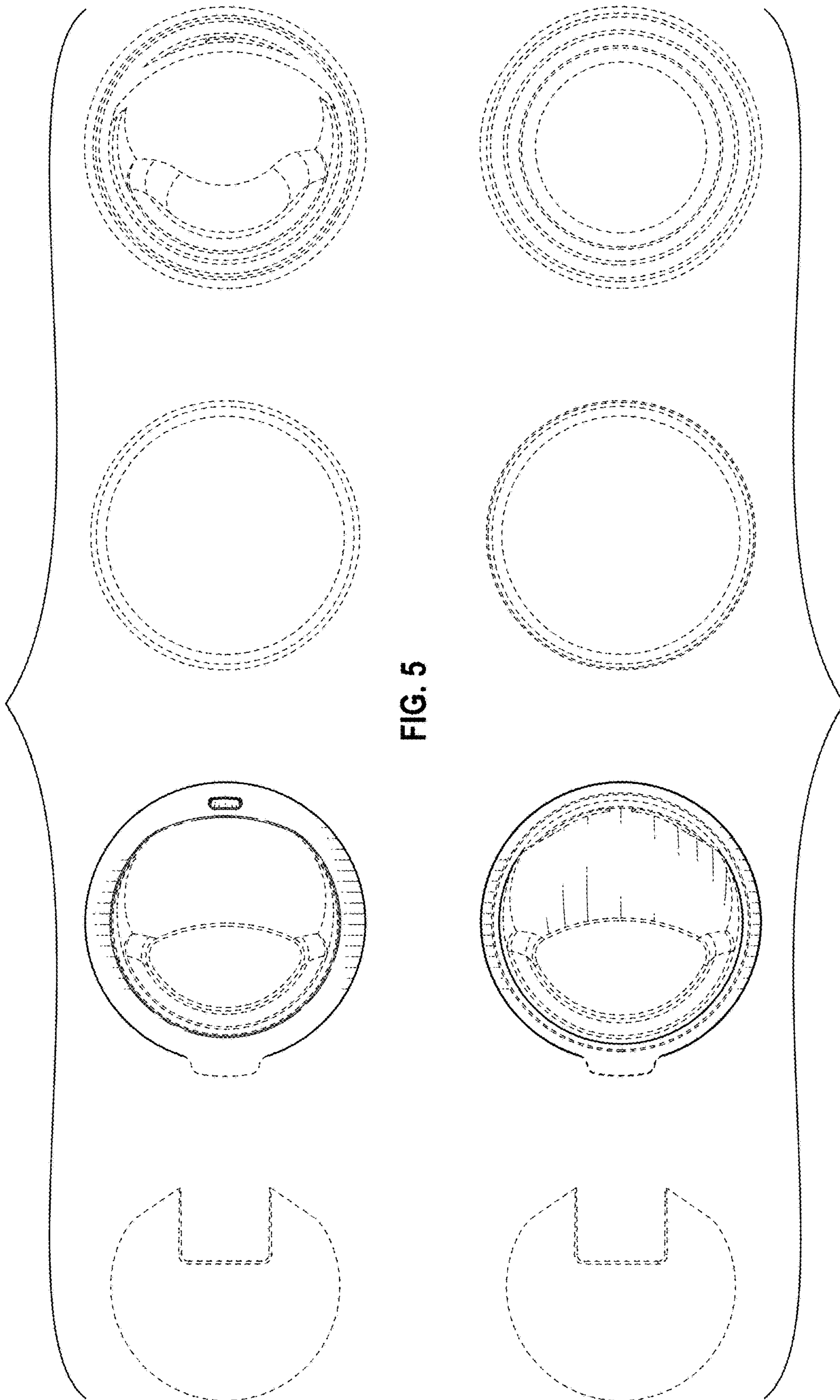


FIG. 5

FIG. 6