



US00D858195S

(12) **United States Design Patent** (10) **Patent No.:** **US D858,195 S**
Lee (45) **Date of Patent:** **** Sep. 3, 2019**

(54) **ENCLOSURE FOR A BLENDER**
(71) Applicant: **TAI YU (DONG GUAN) ELECTRICAL CO., LTD.**, Dong Guan, Guang Dong (CN)
(72) Inventor: **Ming-Hsien Lee**, Taichung (TW)
(73) Assignee: **TAI YU (DONG GUAN) ELECTRICAL CO., LTD.**, Dong Guan, Guang Dong Province (CN)
(**) Term: **15 Years**
(21) Appl. No.: **29/643,995**
(22) Filed: **Apr. 13, 2018**
(30) **Foreign Application Priority Data**

6,571,908 B2 * 6/2003 Bohannon A47J 43/0716
160/201
D528,364 S * 9/2006 Kolar D7/413
7,520,663 B1 * 4/2009 Kolar A47J 43/07
312/326
D592,903 S * 5/2009 Olson D7/376
D595,087 S * 6/2009 Metaxatos A47J 43/0727
D7/412
D637,862 S * 5/2011 Fouquet D7/376
8,287,180 B2 * 10/2012 Kolar A47J 43/0716
366/347
D787,882 S * 5/2017 McConnell D7/376
D842,025 S * 3/2019 Hauser A47J 43/07
D7/381
2010/0038462 A1 * 2/2010 Kolar A47J 43/0716
241/285.3
2017/0224169 A1 * 8/2017 Kolar A47J 43/0727

Oct. 13, 2017 (TW) 106306021
(51) **LOC (12) Cl.** **31-00**
(52) **U.S. Cl.**
USPC **D7/413; D7/376; D7/378; D7/412**
(58) **Field of Classification Search**
USPC D7/372, 376-386, 412-413, 602, 629,
D7/665-666, 669, 679, 693-694
CPC A21C 1/02; A21C 1/04; A23N 1/00; A23N
1/02; A47J 43/04; A47J 43/25; A47J
43/27; A47J 43/042; A47J 43/044; A47J
43/046; A47J 43/07; A47J 43/075; A47J
43/0716; A47J 43/0722; A47J 43/0727;
B01F 3/00; B01F 3/0807; B01F 3/0853;
B01F 13/0059; B01F 13/0064; B02C
1/08; B02C 2/04; B02C 4/42; B02C
4/142; B02C 4/143; B02C 4/423; B02C
13/1835; B28C 5/10; B28C 5/12; B28C
5/14; B28C 5/16
See application file for complete search history.

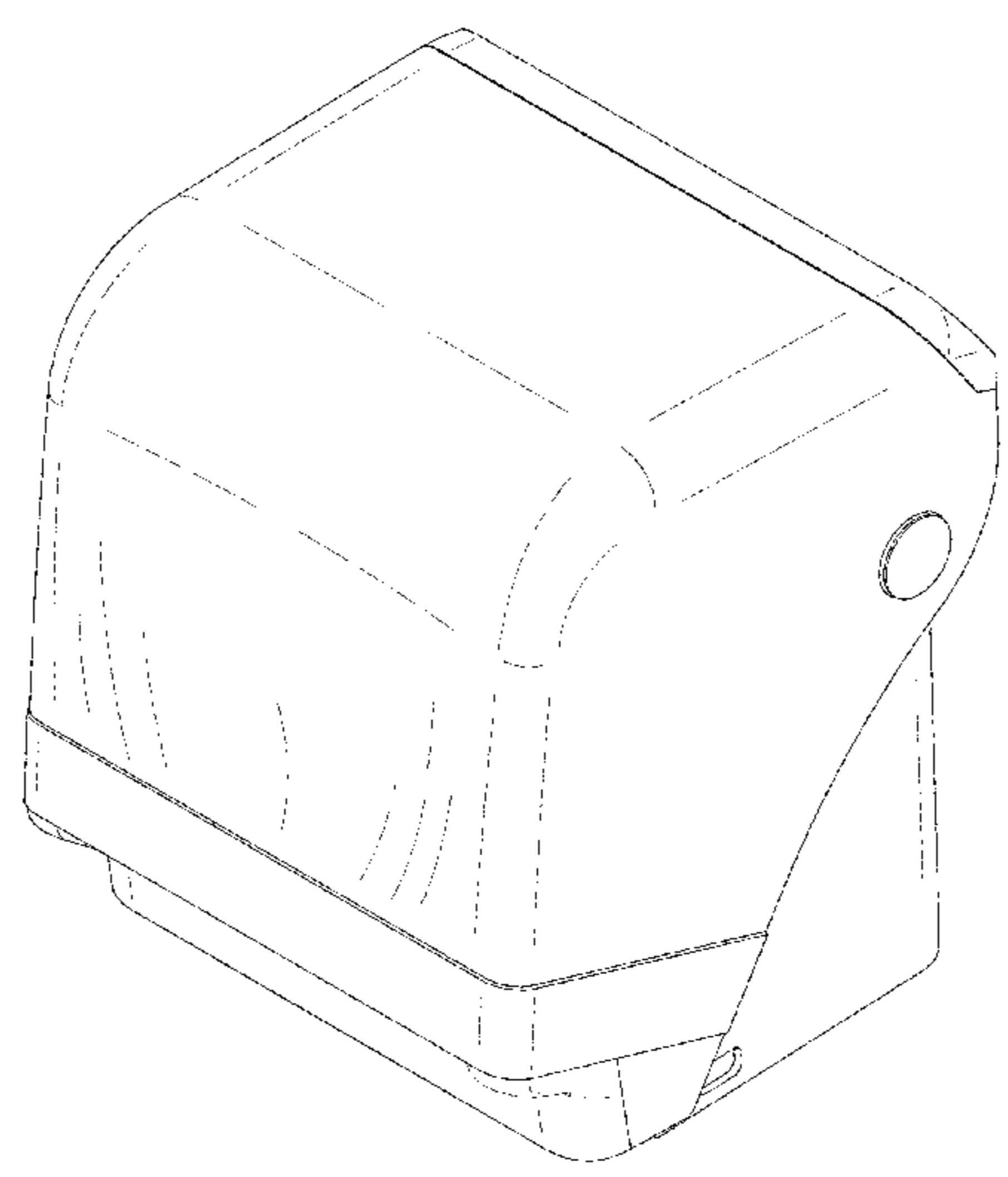
* cited by examiner
Primary Examiner — Ricky Pham
(74) *Attorney, Agent, or Firm* — Muncy, Geissler, Olds & Lowe, P.C.

(56) **References Cited**
U.S. PATENT DOCUMENTS
5,957,577 A * 9/1999 Dickson A47J 43/07
366/197
D427,016 S * 6/2000 Kindig D7/412

(57) **CLAIM**
The ornamental design for an enclosure for a blender, as shown and described.

DESCRIPTION
FIG. 1 is a perspective view of an enclosure for a blender, showing the new design;
FIG. 2 is a front view thereof;
FIG. 3 is a rear view thereof;
FIG. 4 is a left side view thereof;
FIG. 5 is a right side view thereof;
FIG. 6 is a top view thereof; and,
FIG. 7 is a bottom view thereof.
The broken lines shown in FIGS. 2 & 7 depict portions of the enclosure for a blender that form no part of the claimed design.

1 Claim, 7 Drawing Sheets



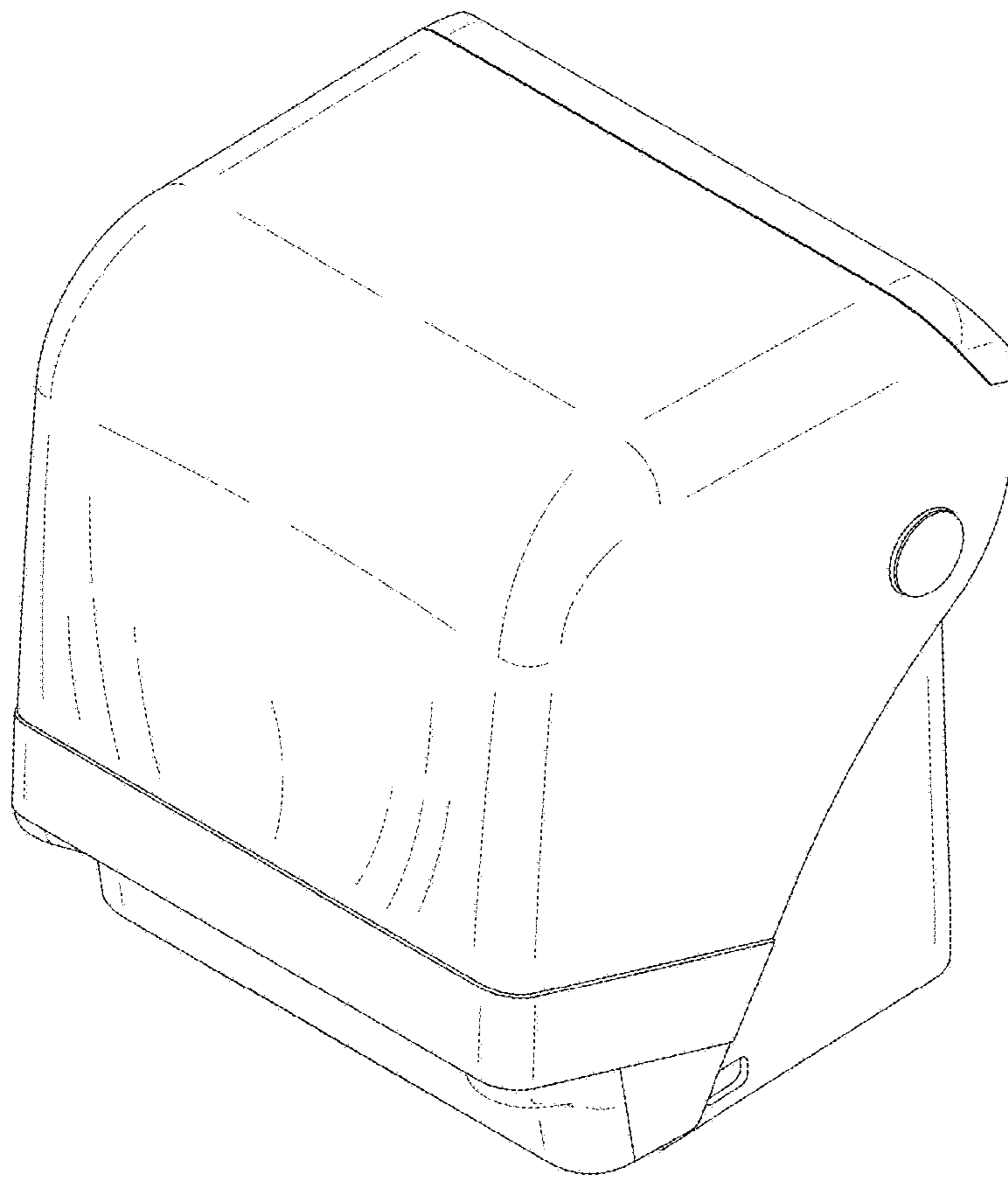


FIG. 1

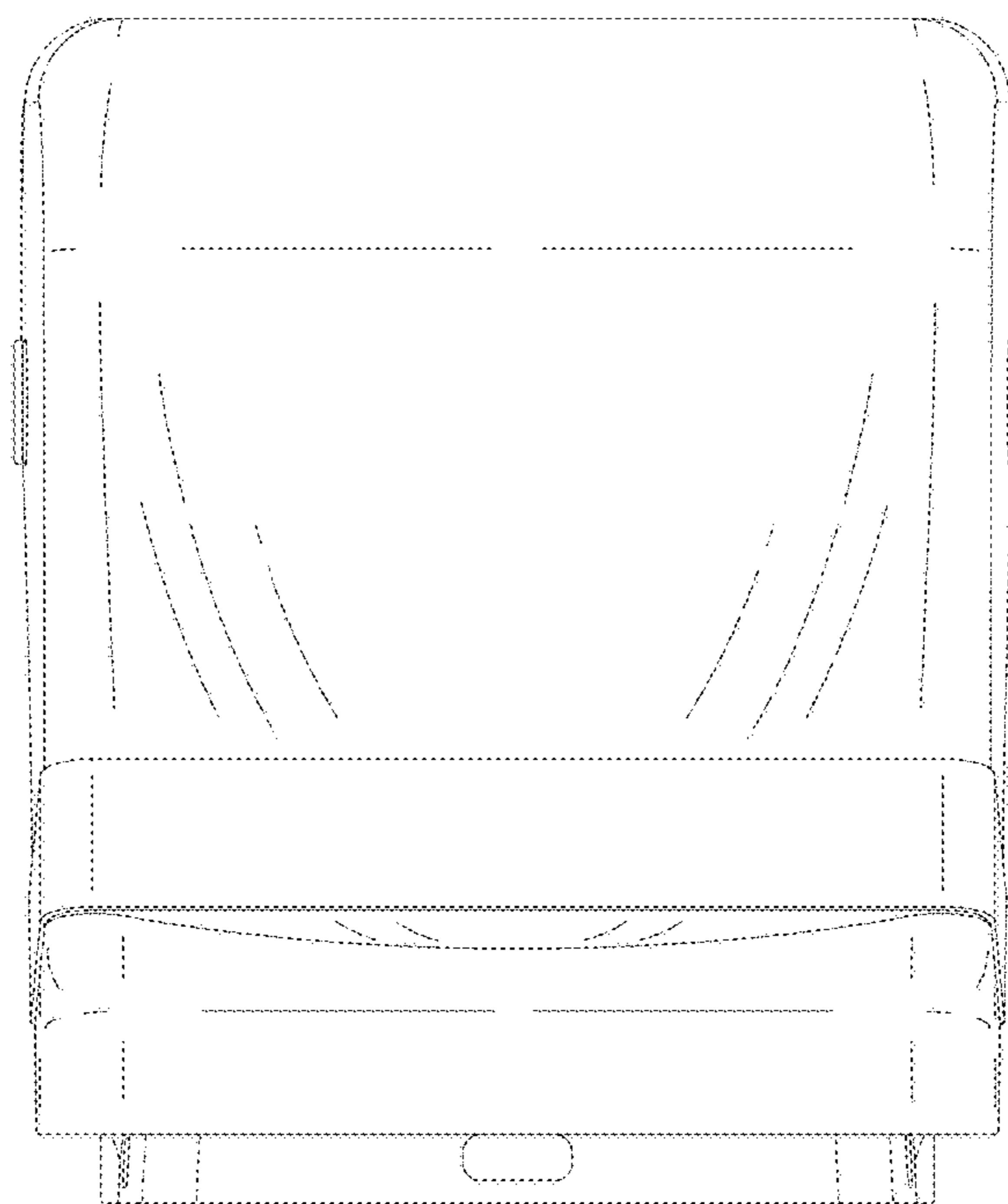


FIG. 2

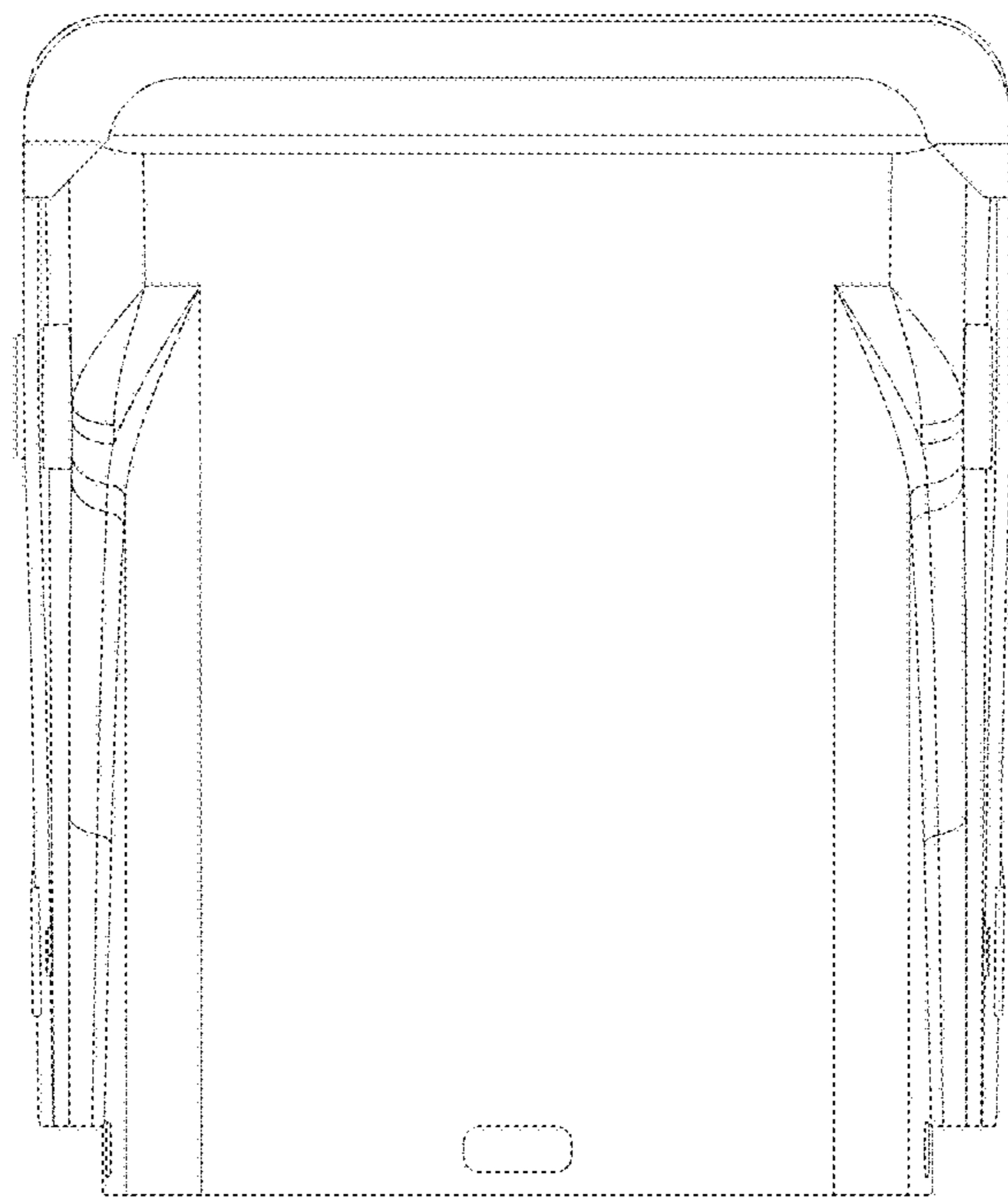


FIG. 3

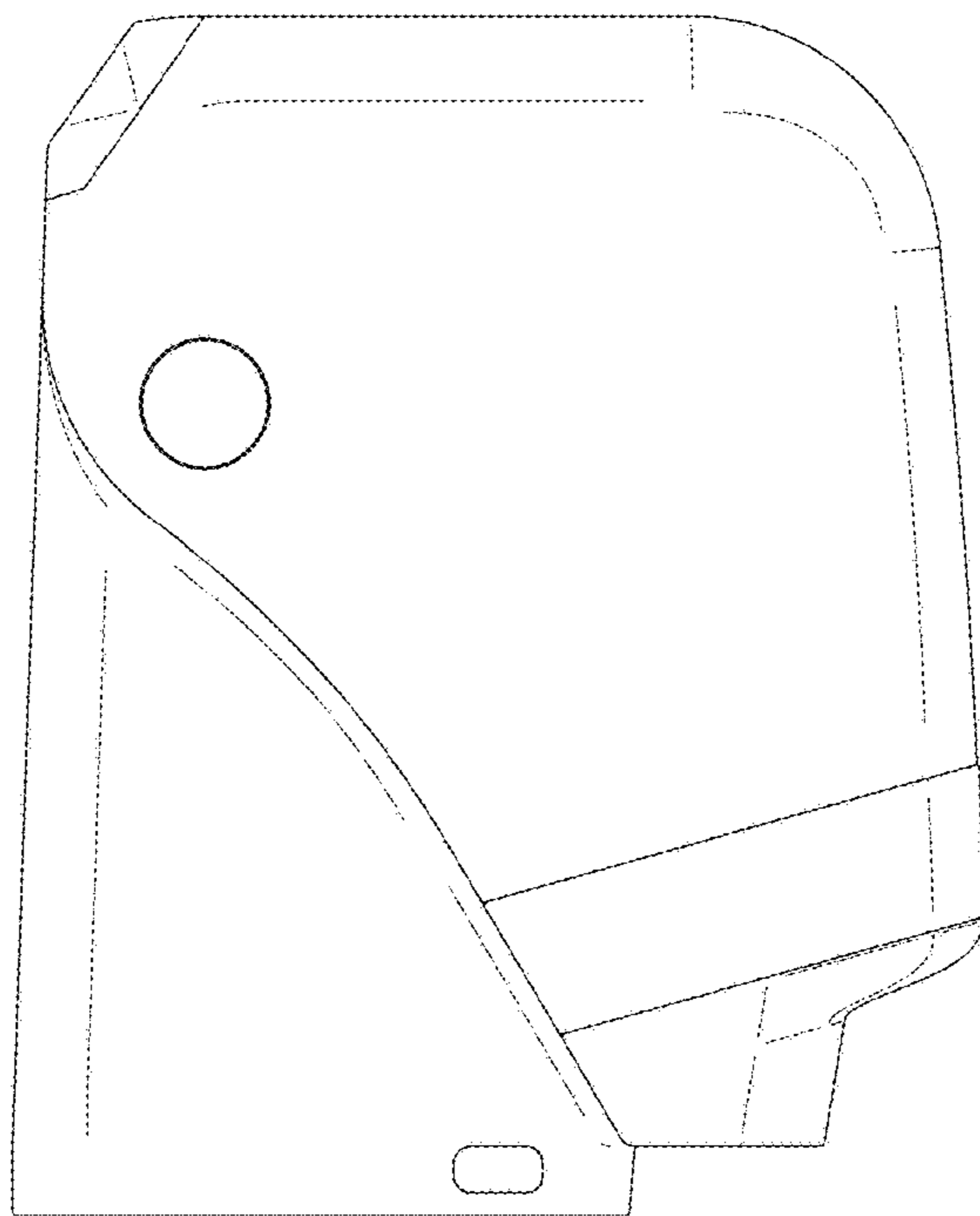


FIG. 4

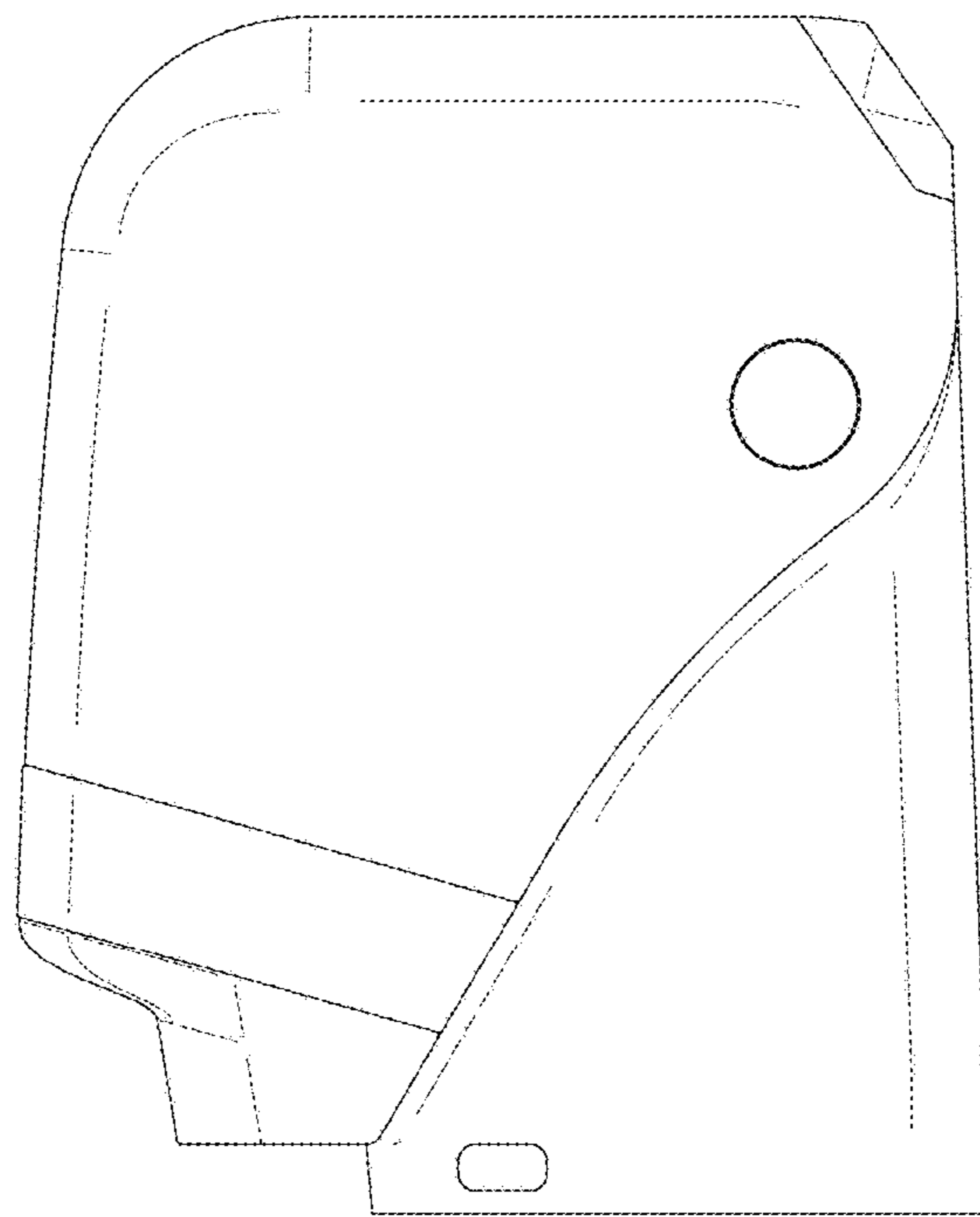


FIG. 5

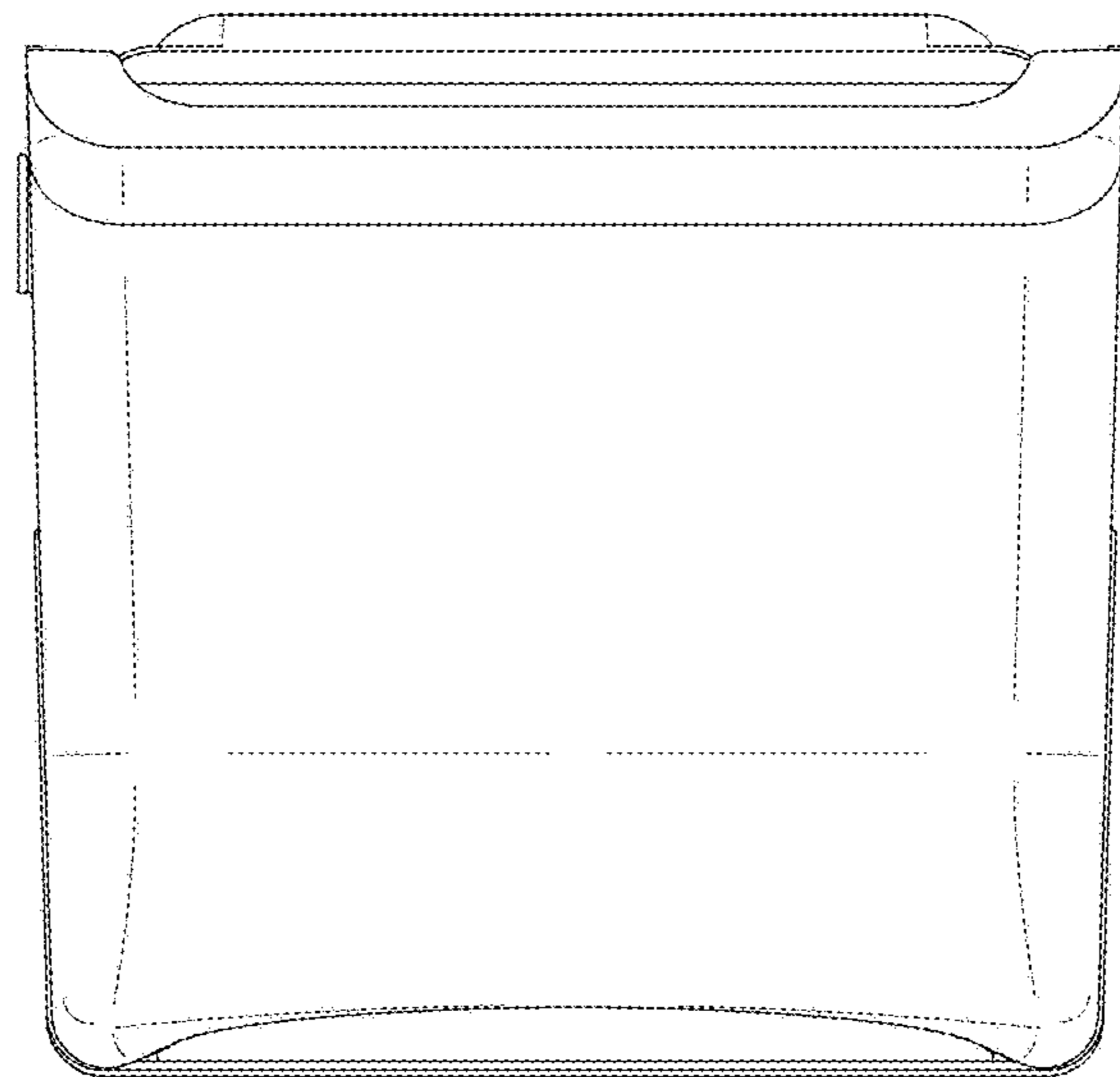


FIG. 6

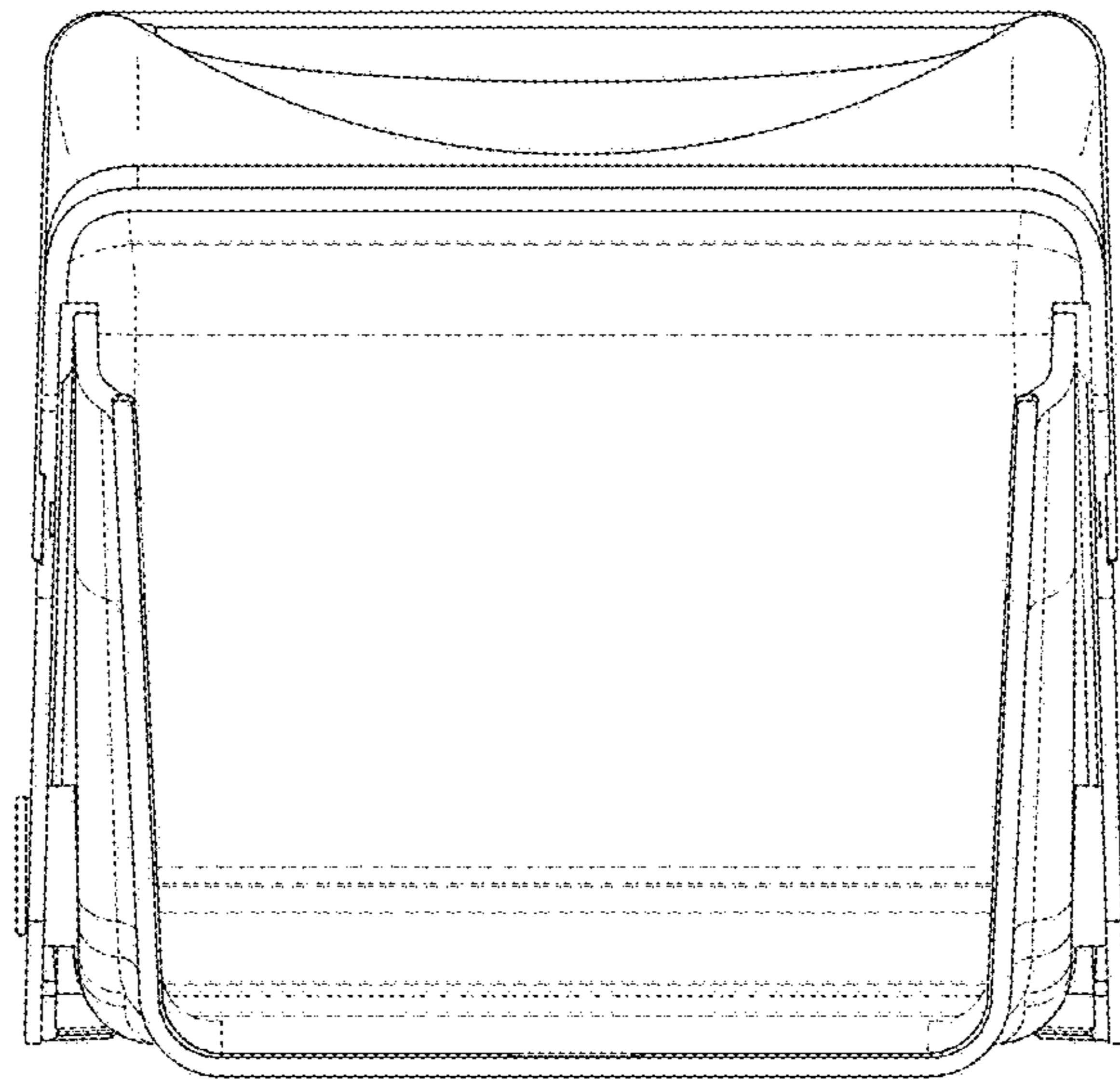


FIG. 7