



US00D858193S

(12) **United States Design Patent**  
**Romzek et al.**

(10) **Patent No.:** **US D858,193 S**  
(45) **Date of Patent:** **\*\* Sep. 3, 2019**

(54) **WIRE RING DEVICE THAT COMBINES WITH A CHARCOAL GRATE TO FORM A SHAKABLE BASKET**

F24C 15/14; F24C 15/16; F24C 15/164; F24C 15/18

See application file for complete search history.

(71) Applicants: **Chadwick Irvin Romzek**, Neenah, WI (US); **Shishir S. Gupta**, Appleton, WI (US); **Arvind Jain**, Indore (IN); **Ravi Bafna**, Indore (IN)

(56) **References Cited**

U.S. PATENT DOCUMENTS

D31,043 S \* 6/1899 Smith ..... D7/409  
2,986,138 A \* 5/1961 Moore ..... A47J 37/0704  
126/25 A  
4,052,934 A \* 10/1977 Shinman ..... A47J 36/22  
210/474

(72) Inventors: **Chadwick Irvin Romzek**, Neenah, WI (US); **Shishir S. Gupta**, Appleton, WI (US); **Arvind Jain**, Indore (IN); **Ravi Bafna**, Indore (IN)

(Continued)

*Primary Examiner* — Ricky Pham

(74) *Attorney, Agent, or Firm* — Jeffrey S. Sokol

(73) Assignee: **4 R Ventures, LLC**, Neenah, WI (US)

(\*\*) Term: **15 Years**

(57) **CLAIM**

The ornamental design of a wire ring device that combines with a charcoal grate to form a shakable basket, as shown and described.

(21) Appl. No.: **29/650,066**

(22) Filed: **Jun. 4, 2018**

**DESCRIPTION**

(51) **LOC (12) Cl.** ..... **07-02**

(52) **U.S. Cl.**

USPC ..... **D7/409**

(58) **Field of Classification Search**

USPC ..... D7/323, 332, 335–337, 354–355, D7/359–364, 387–388, 402, 407–409

CPC .... A21B 2/00; A21B 3/00; A21B 3/13; A21B 3/15; A21B 5/00; A21B 5/02; A23N 12/06; A23N 12/08; A23N 12/10; A47J 33/00; A47J 36/22; A47J 37/00; A47J 37/04; A47J 37/041; A47J 37/042; A47J 37/06; A47J 37/0688; A47J 37/0694; A47J 37/07; A47J 37/0704; A47J 37/0786; A47J 37/10; A47J 47/20; A47J 2037/00; A47J 2037/06; A47J 2037/0611; A47J 2037/07; A47J 2037/0786; A47J 2037/0795; F24C 15/10; F24C 15/12;

FIG. 1 is a top perspective view showing the wire ring device, and further showing the charcoal grate in broken lines spaced from and aligned for receipt into the wire ring device;

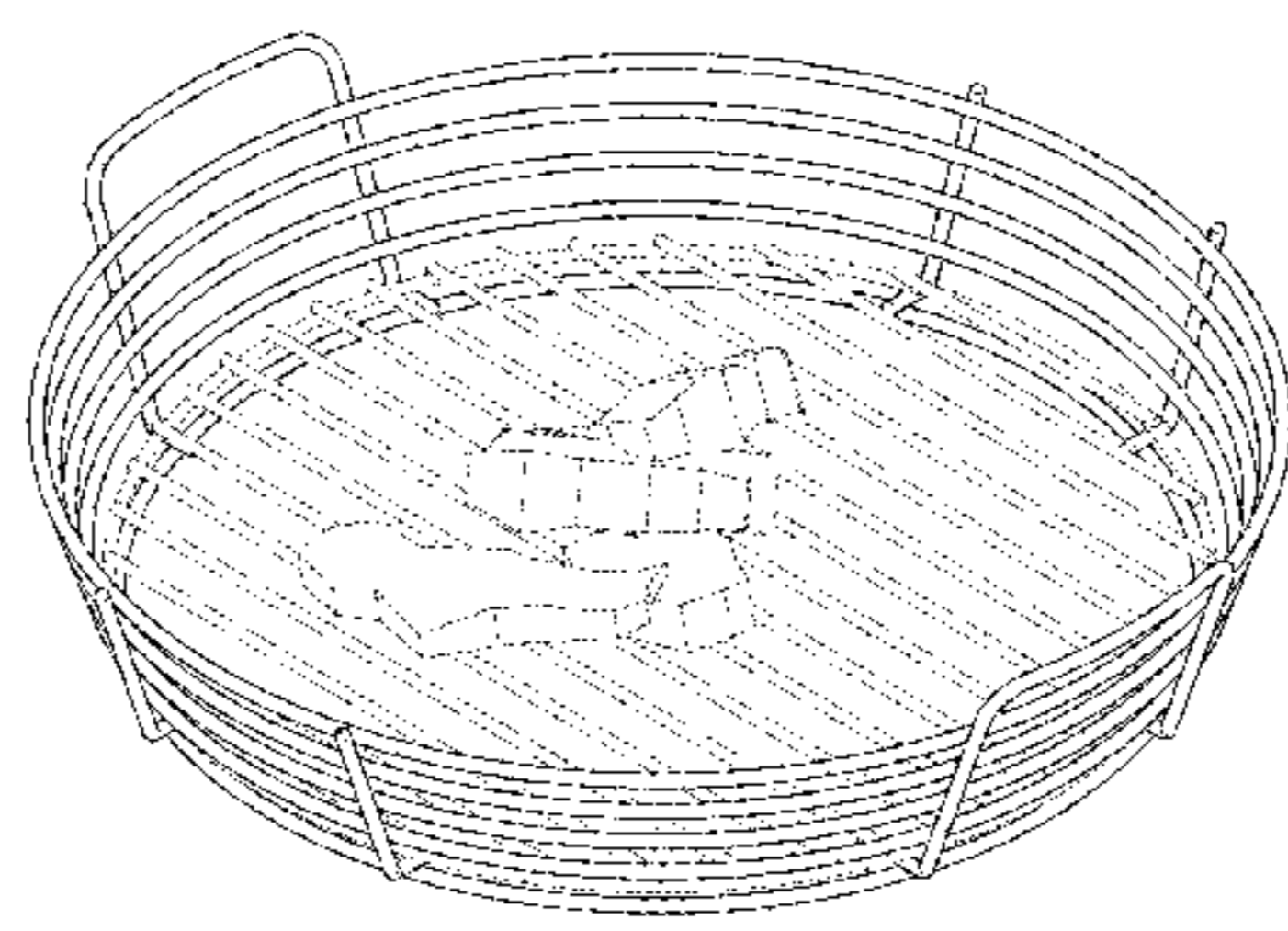
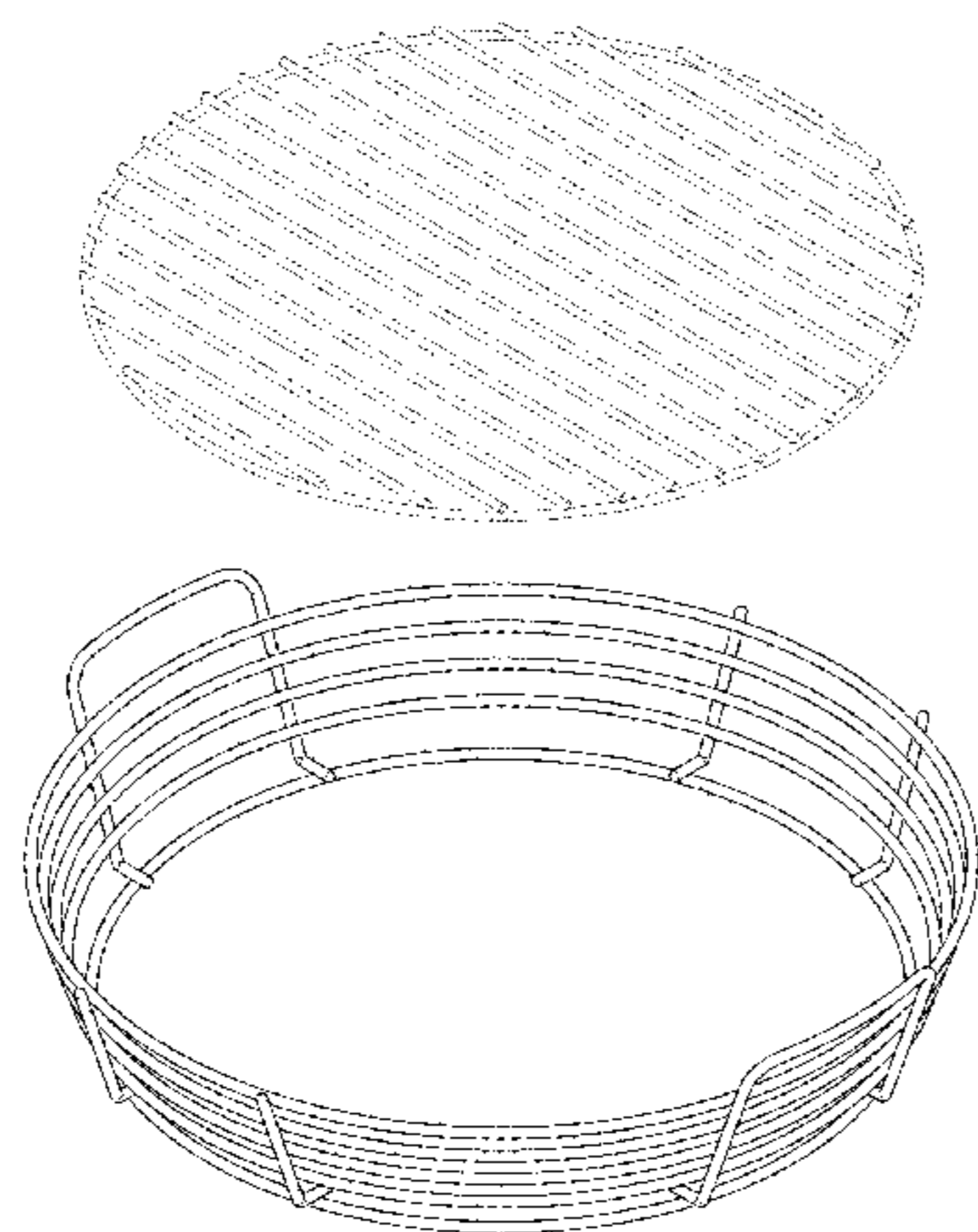
FIG. 2 is a top plan view showing the wire ring device; FIG. 3 is a bottom plan view showing the wire ring device; FIG. 4 is a front elevation view showing the wire ring device;

FIG. 5 is a side elevation view showing the wire ring device; and,

FIG. 6 is a top perspective view showing the wire ring device with the charcoal grate shown in broken lines captured inside the wire ring device to form a shakable basket, and further showing charcoal in broken lines within the shakable basket.

The rear elevation view opposite FIG. 4 is a mirror image. The side elevation view opposite FIG. 5 is a mirror image. The charcoal grate shown in broken lines in FIGS. 1 and 6

(Continued)



and the charcoal shown in broken lines in FIG. 6 illustrate environmental structure and form no part of the claimed inventive design.

**1 Claim, 5 Drawing Sheets**

(56) **References Cited**

U.S. PATENT DOCUMENTS

5,069,196 A \* 12/1991 Schlosser ..... A47J 37/0786  
126/25 A  
D364,777 S \* 12/1995 Schlosser ..... D7/402  
5,819,718 A \* 10/1998 Leiser ..... A47J 33/00  
126/30  
D623,014 S \* 9/2010 Alden ..... D7/409  
D671,286 S 11/2012 Pelosi  
D716,609 S \* 11/2014 Greer ..... D7/409  
D733,495 S \* 7/2015 Tyson ..... D7/354  
D748,437 S 2/2016 Goodman  
D751,186 S 3/2016 Romzek  
9,339,145 B1 \* 5/2016 Owczarzak ..... A47J 37/0786  
D784,771 S 4/2017 Goodman  
D810,438 S 2/2018 Romzek  
D825,264 S \* 8/2018 Cielenski ..... D7/408  
D827,372 S \* 9/2018 Cielenski ..... D7/408  
D842,649 S \* 3/2019 Mishan ..... D7/409

\* cited by examiner

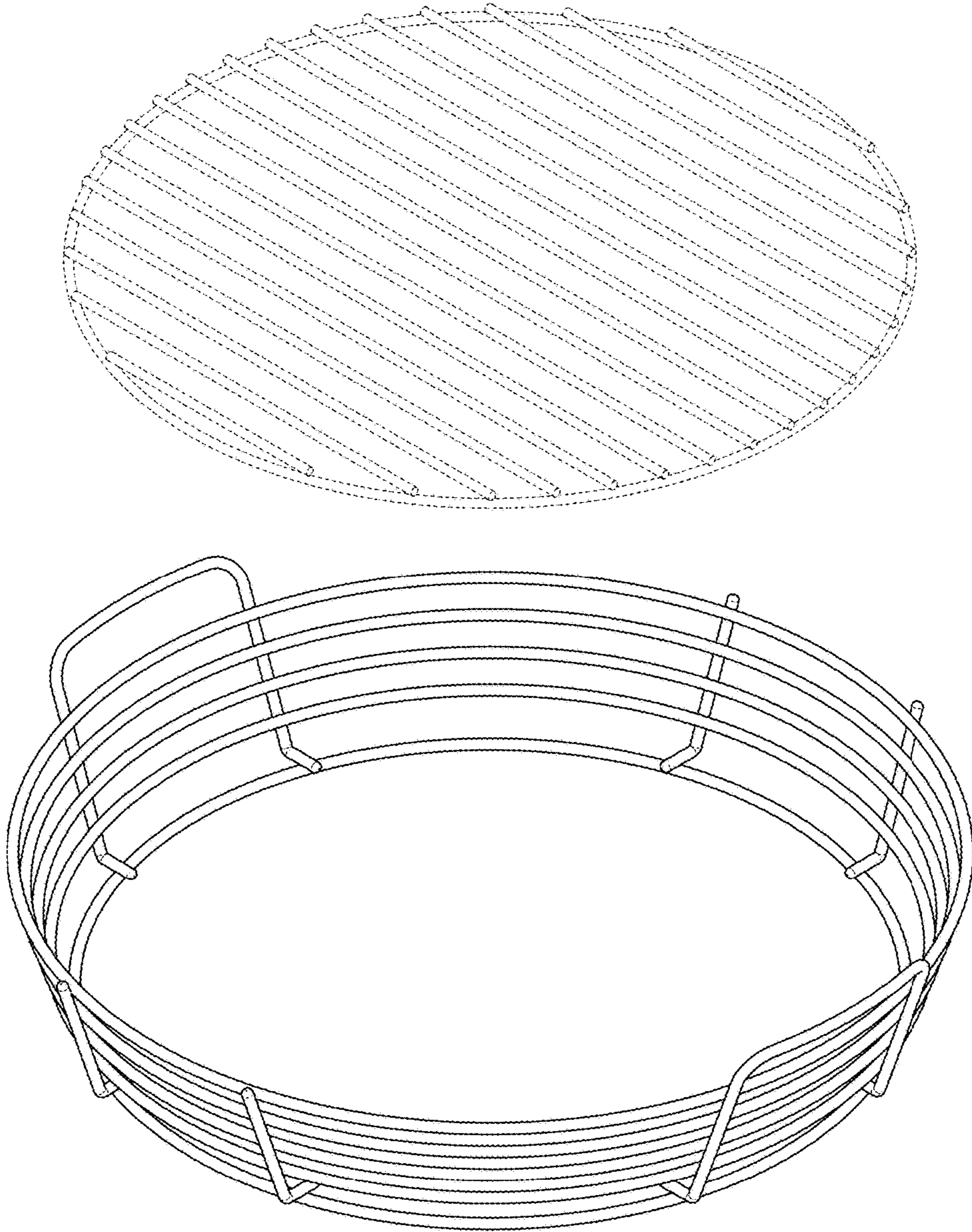


FIG. 1

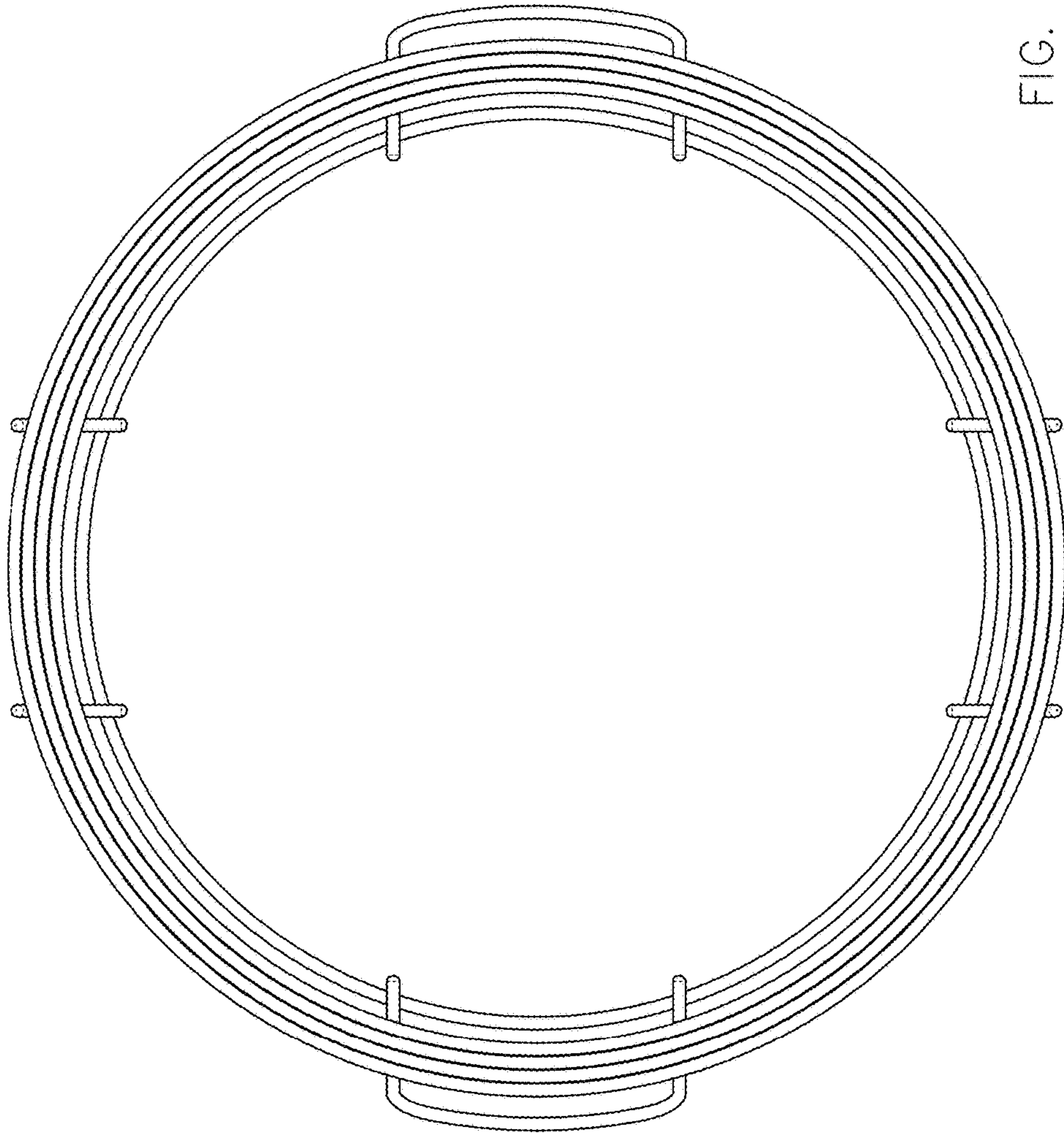


FIG. 2

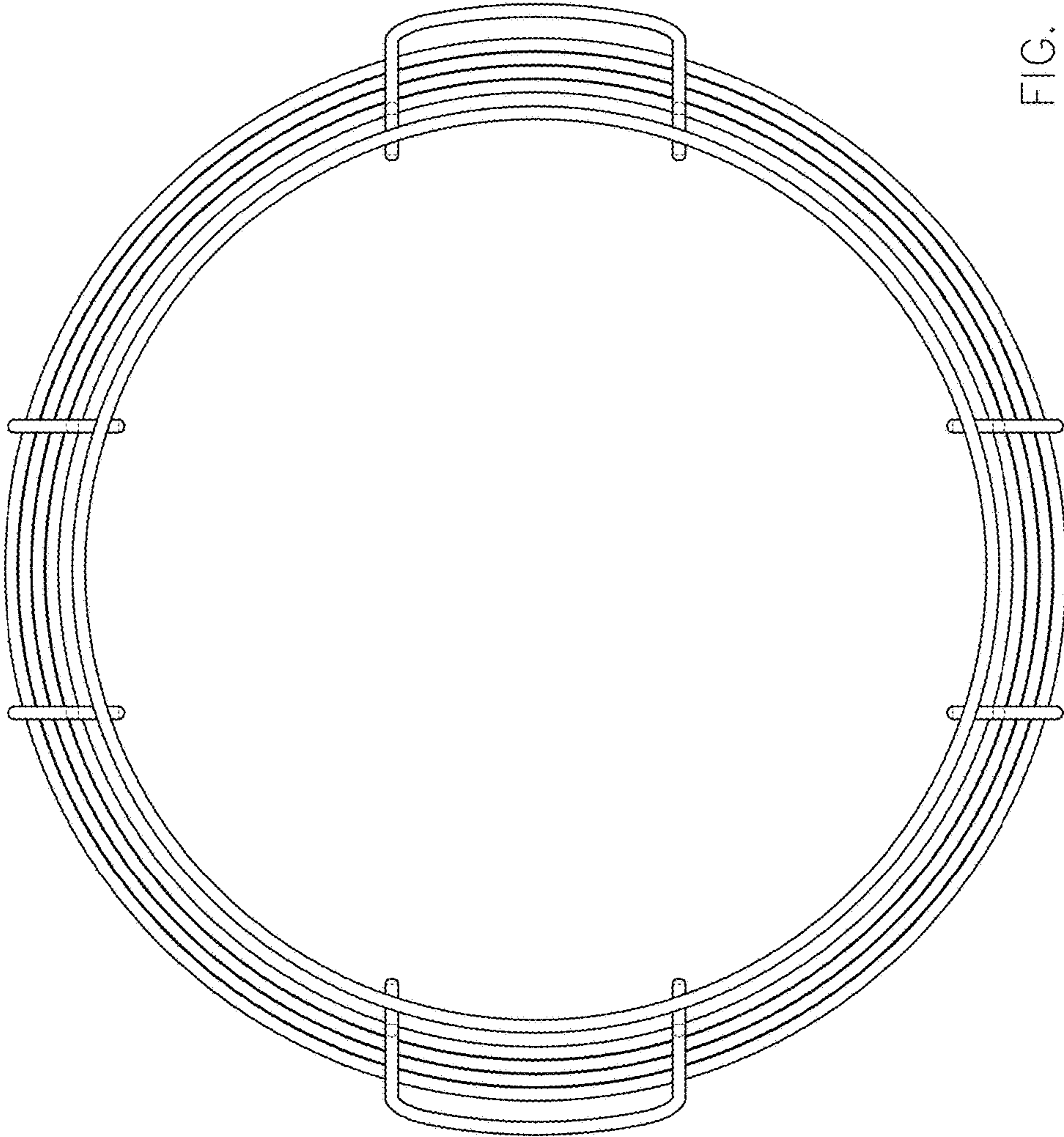


FIG. 3

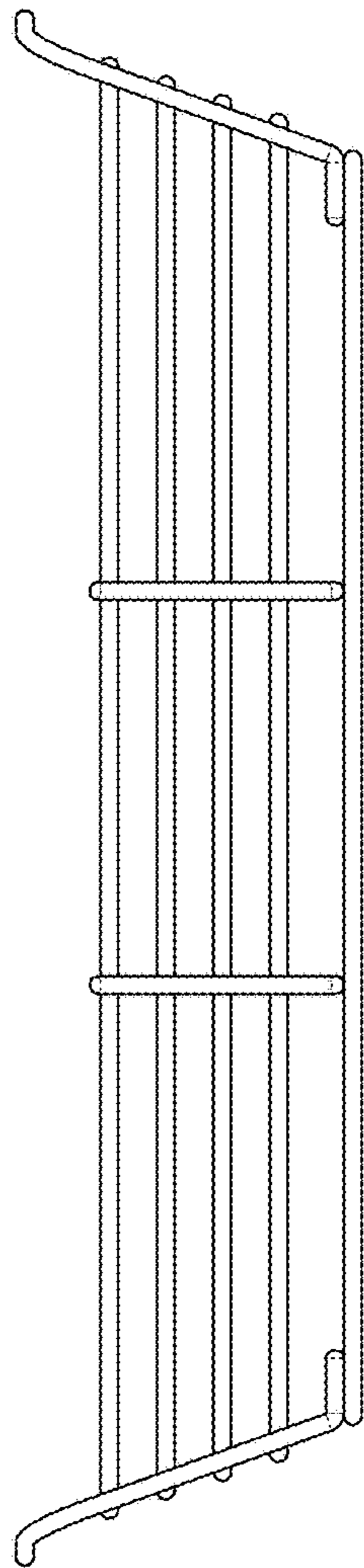


FIG. 4

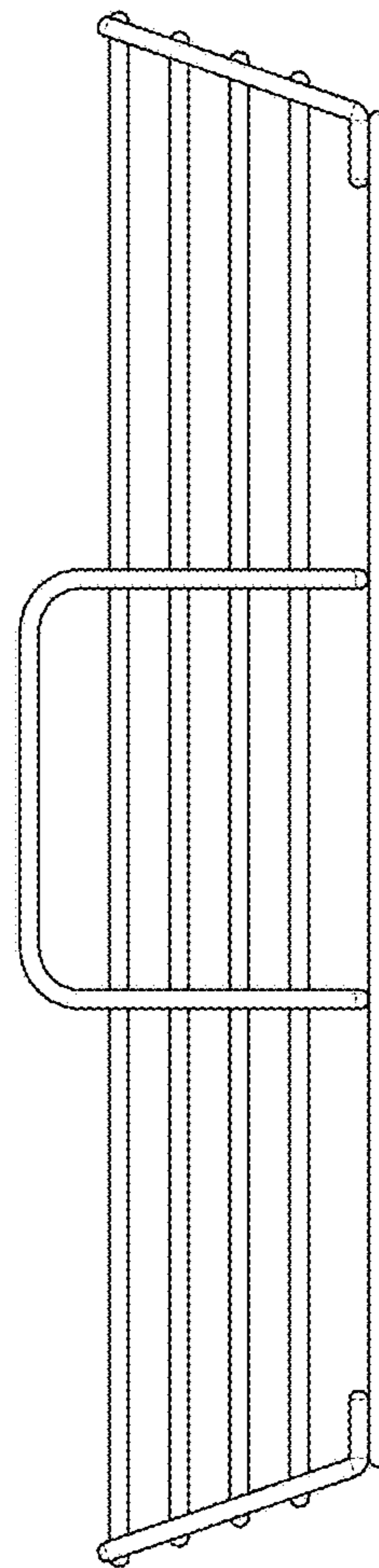


FIG. 5

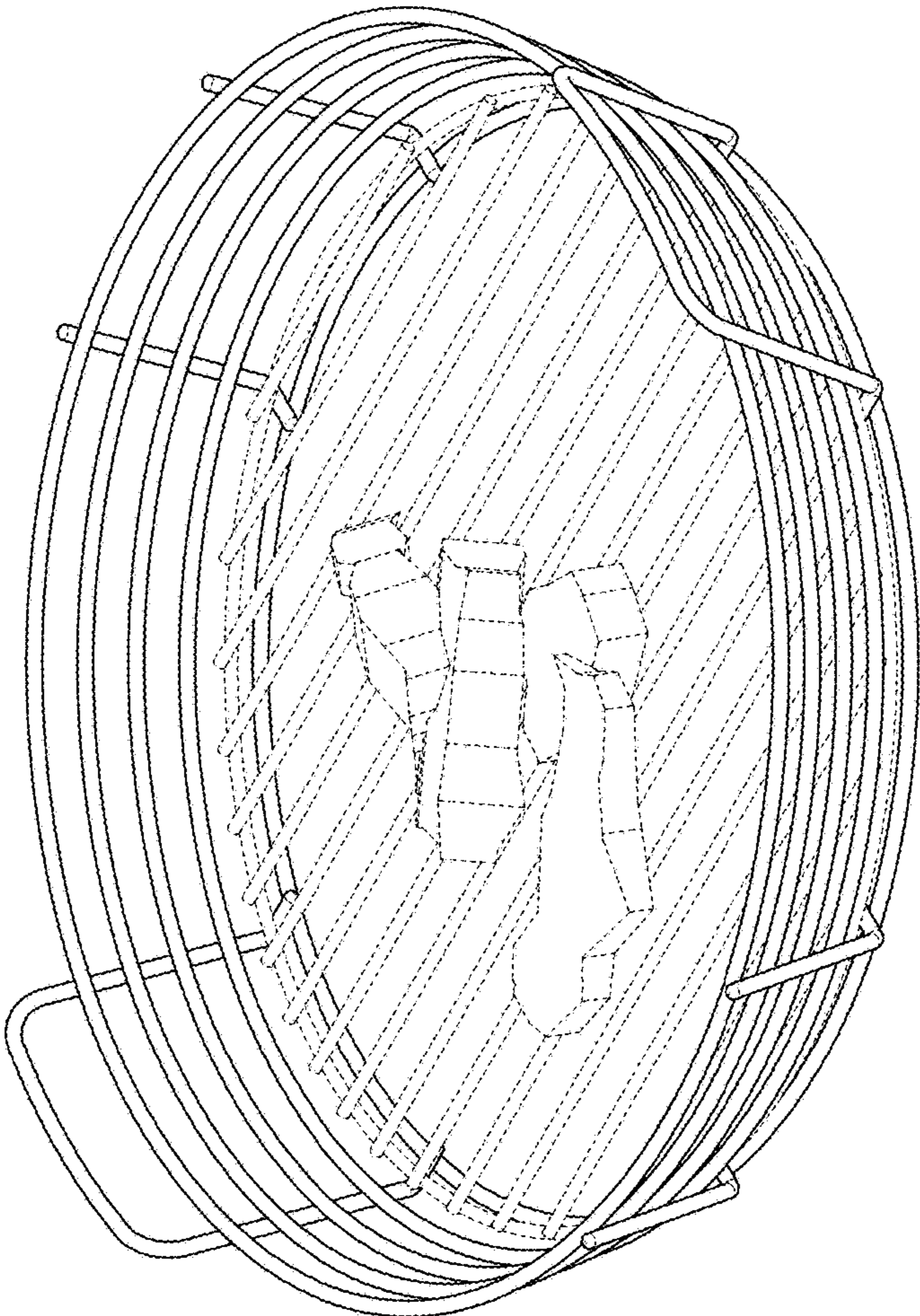


FIG. 6