



US00D858191S

(12) **United States Design Patent**
Lewis-Foor

(10) **Patent No.:** **US D858,191 S**
(45) **Date of Patent:** **** Sep. 3, 2019**

- (54) **BAKING RACK**
- (71) Applicant: **BAKRISP LLC**, Coal City, IL (US)
- (72) Inventor: **Terry Lewis-Foor**, Coal City, IL (US)
- (73) Assignee: **BAKRISP LLC**, Coal City, IL (US)
- (**) Term: **15 Years**
- (21) Appl. No.: **29/636,965**
- (22) Filed: **Feb. 13, 2018**
- (51) **LOC (12) Cl.** **07-02**
- (52) **U.S. Cl.**
USPC **D7/409**
- (58) **Field of Classification Search**
USPC D7/323, 332, 335-337, 354-355,
D7/359-364, 387-388, 402, 407-409
CPC A21B 2/00; A21B 3/00; A21B 3/13; A21B
3/15; A21B 5/00; A21B 5/02; A23N
12/06; A23N 12/08; A23N 12/10; A47J
36/22; A47J 37/00; A47J 37/04; A47J
37/041; A47J 37/042; A47J 37/06; A47J
37/0688; A47J 37/0694; A47J 37/07;
A47J 37/0704; A47J 37/10; A47J 43/18;
A47J 47/20; A47J 2037/00; A47J
2037/06; A47J 2037/0611; A47J 2037/07;
A47J 2037/0786; A47J 2037/0795; F24C
15/10; F24C 15/12; F24C 15/14; F24C
15/16; F24C 15/164; F24C 15/18
See application file for complete search history.

(56) **References Cited**
U.S. PATENT DOCUMENTS

- D124,197 S * 12/1940 Lynch D7/409
- D131,059 S * 1/1942 Lynch D7/409

- 3,075,798 A * 1/1963 Smith A47J 43/18
294/15
- 3,084,617 A * 4/1963 Jamentz A47J 37/0694
108/3
- D364,994 S * 12/1995 Tiemann D7/409
- 6,119,588 A * 9/2000 Tiemann A47J 43/18
211/181.1
- 6,164,194 A * 12/2000 Westmoreland A47J 37/0694
211/181.1
- 6,457,594 B1 * 10/2002 Tiemann A47J 36/22
211/181.1
- 6,595,120 B1 * 7/2003 Tiemann A47J 37/0694
211/181.1
- 7,587,973 B2 * 9/2009 Kaliveh A47J 37/0694
99/449
- D666,872 S * 9/2012 Maher D7/402
- D699,073 S * 2/2014 Cheung D7/402
- D774,356 S * 12/2016 Maiorana D7/409

* cited by examiner

Primary Examiner — Ricky Pham
(74) *Attorney, Agent, or Firm* — Koenig IP Works, PLLC

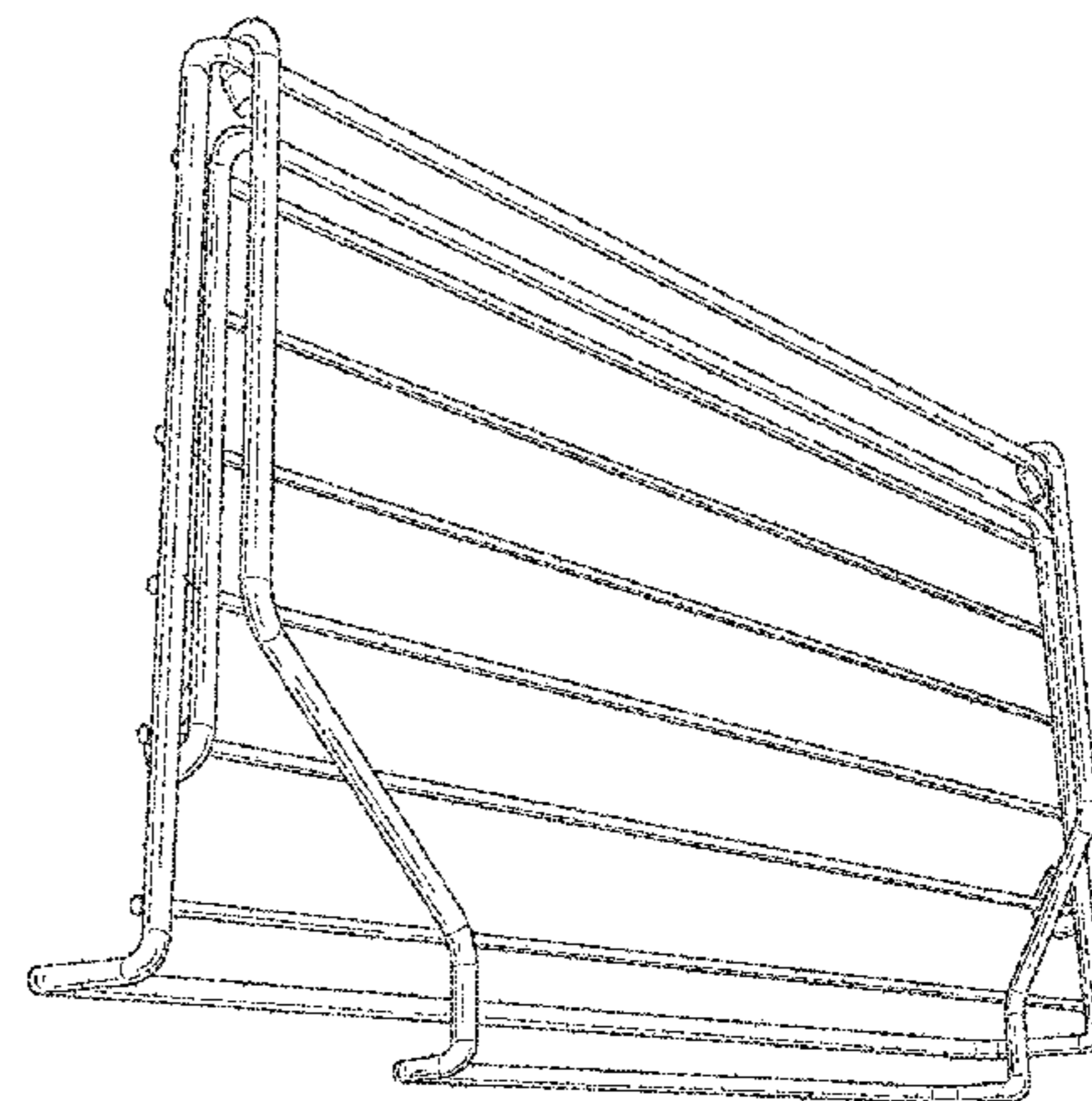
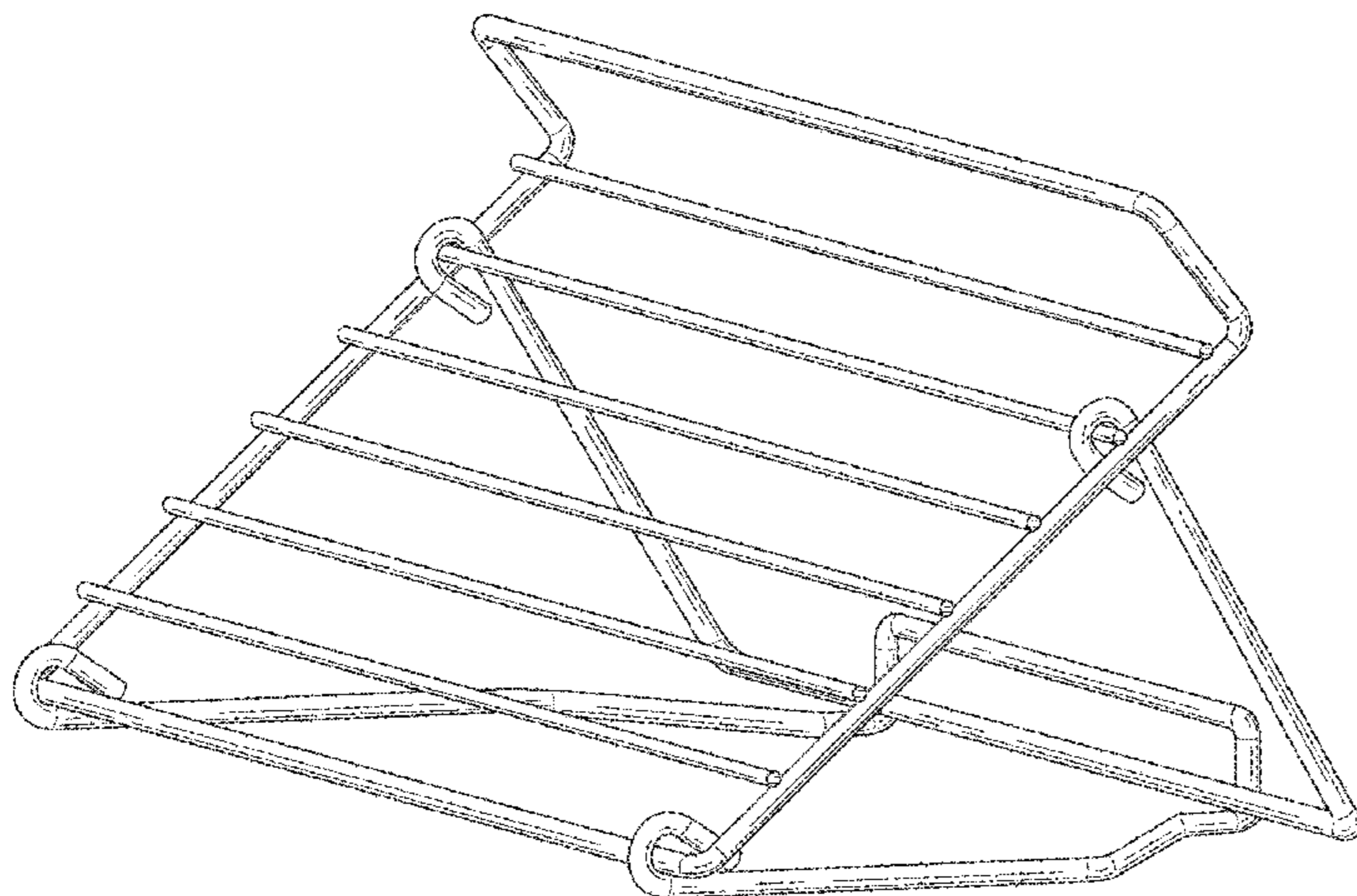
(57) **CLAIM**

The ornamental design for a baking rack, as shown and described.

DESCRIPTION

FIG. 1 is a front right perspective view of a baking rack in an expanded configuration;
FIG. 2 is a front view thereof;
FIG. 3 is a rear view thereof;
FIG. 4 is a right side view thereof;
FIG. 5 is a left side view thereof;
FIG. 6 is a top view thereof;
FIG. 7 is a bottom view thereof; and,
FIG. 8 is a left perspective view thereof in a collapsed configuration.

1 Claim, 8 Drawing Sheets



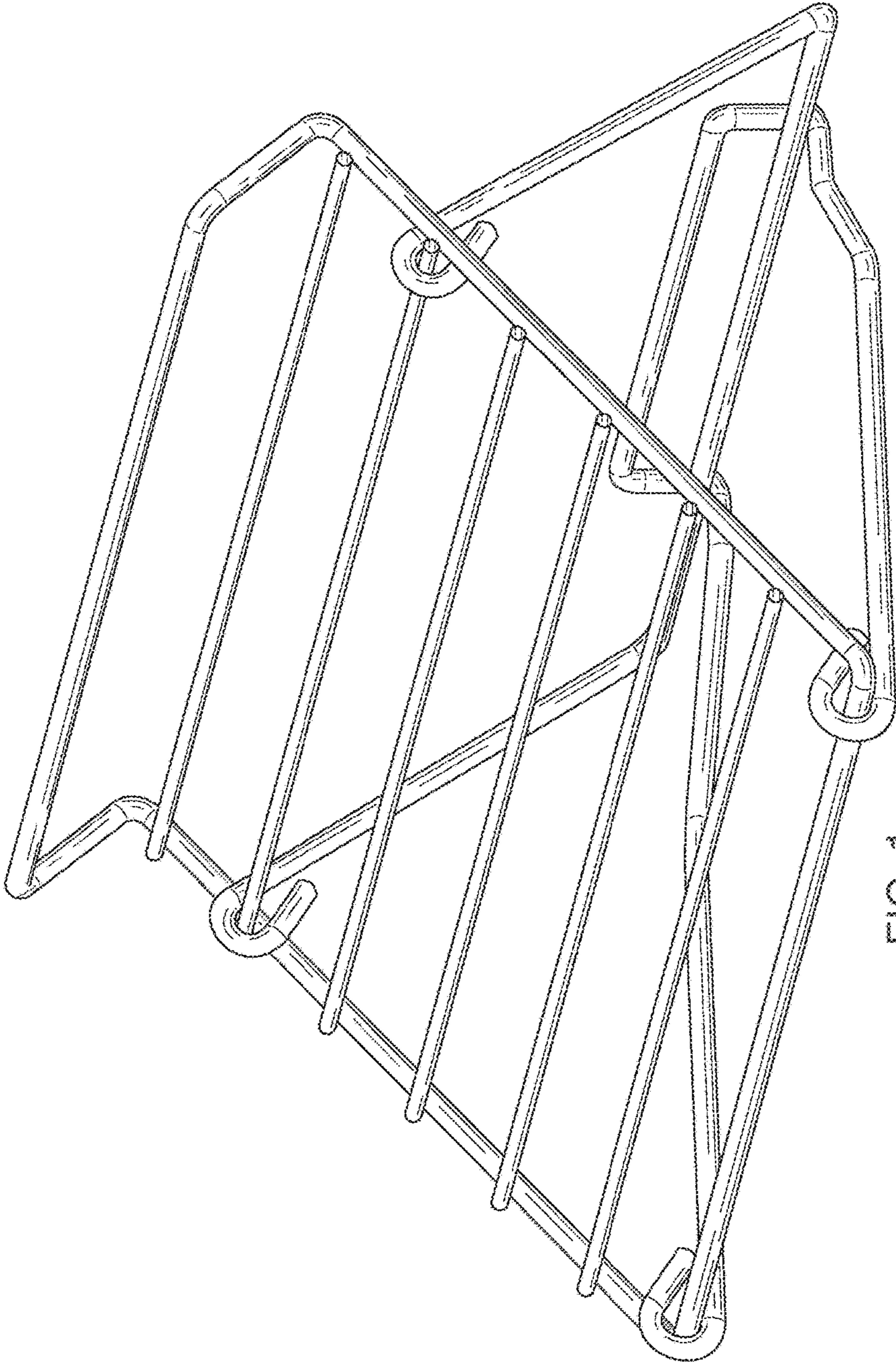


FIG. 1

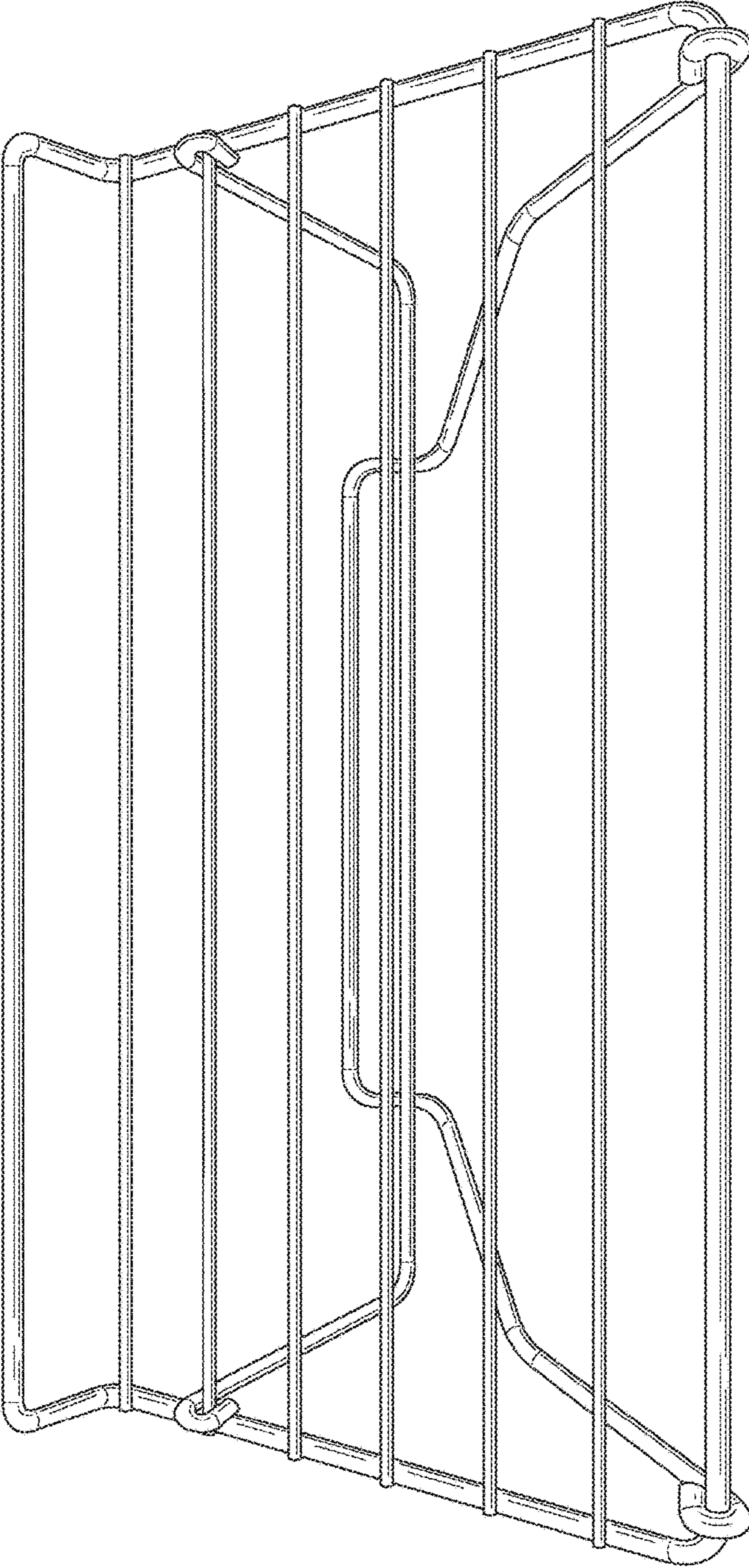


FIG. 2

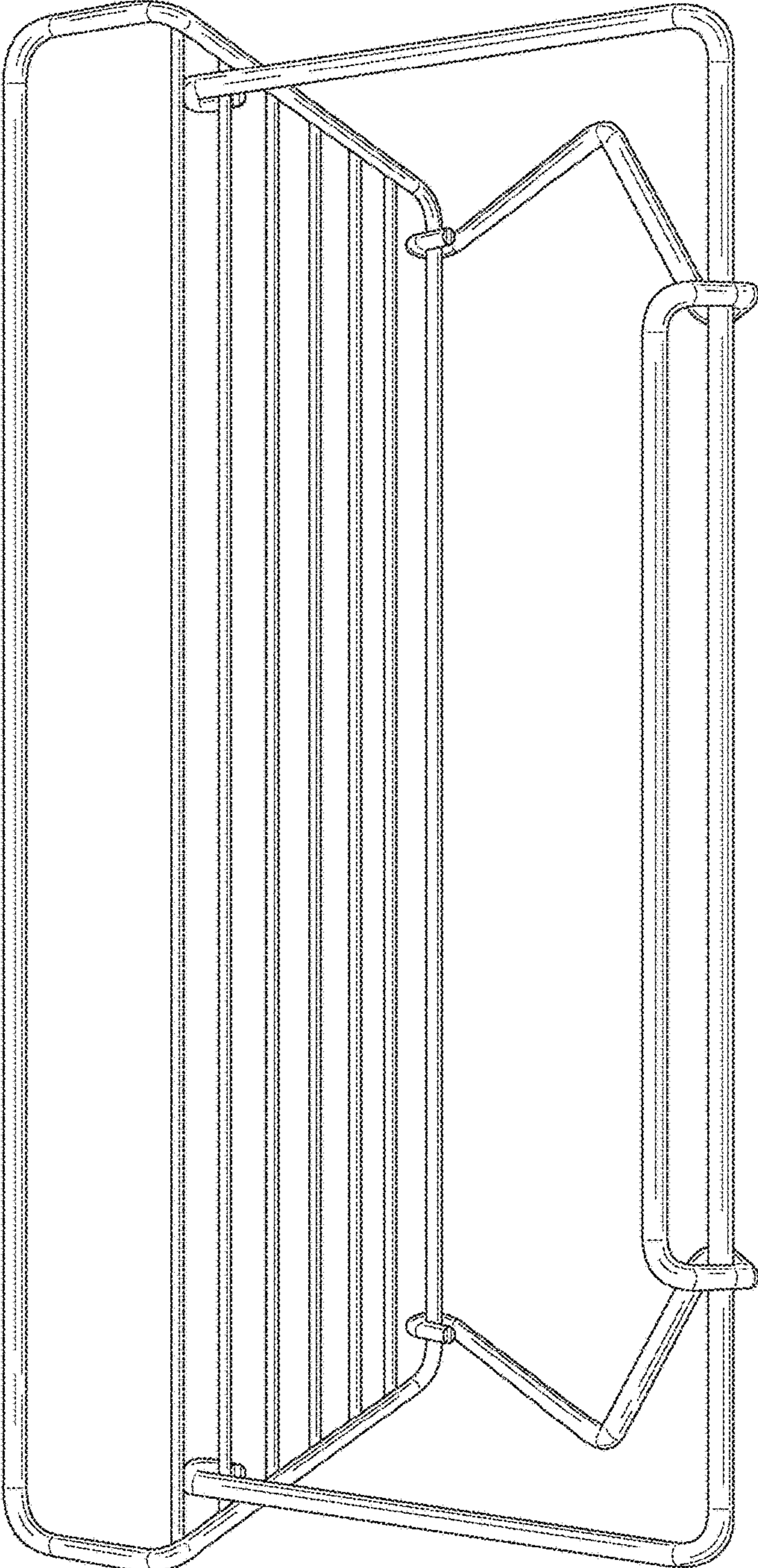


FIG. 3

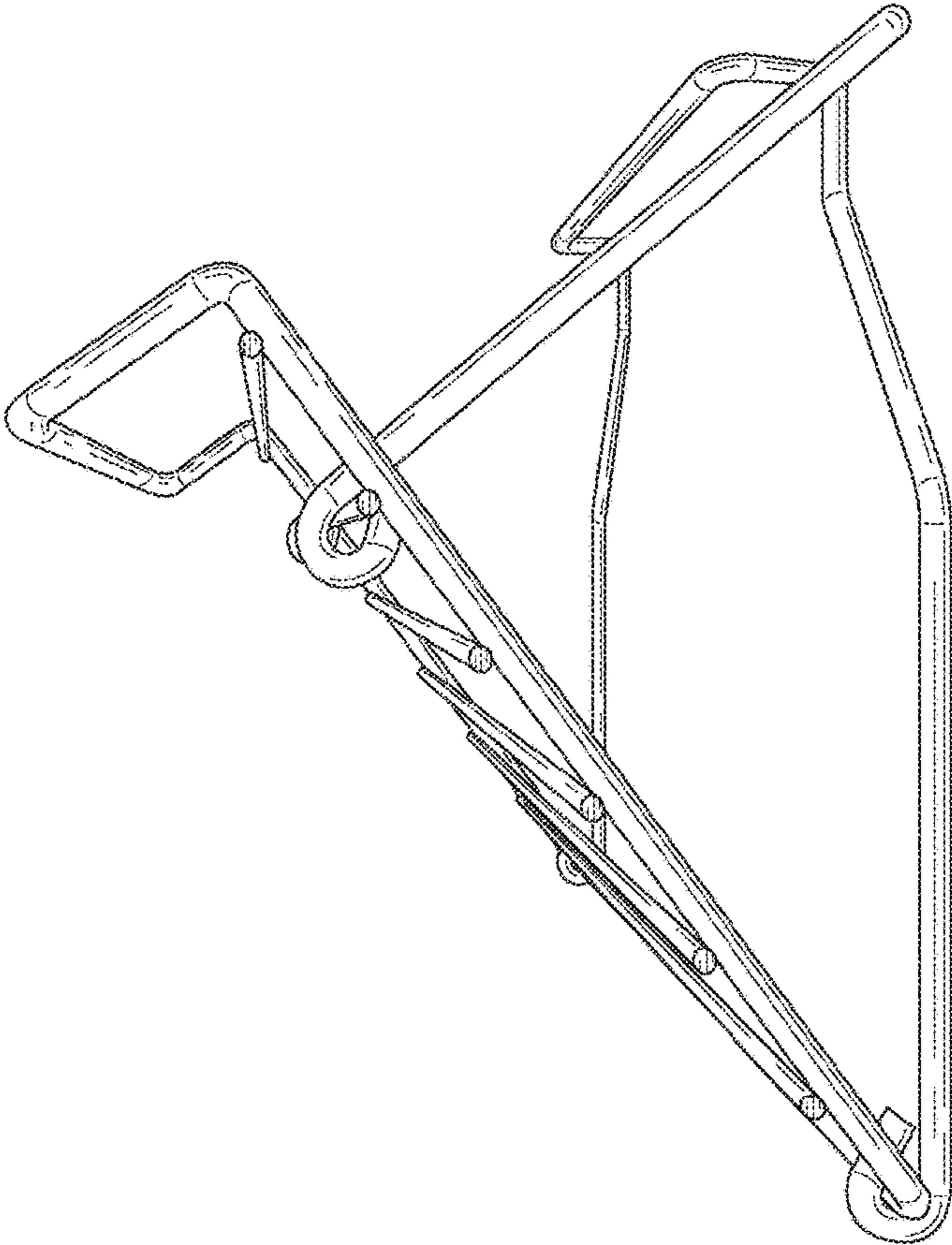


FIG. 4

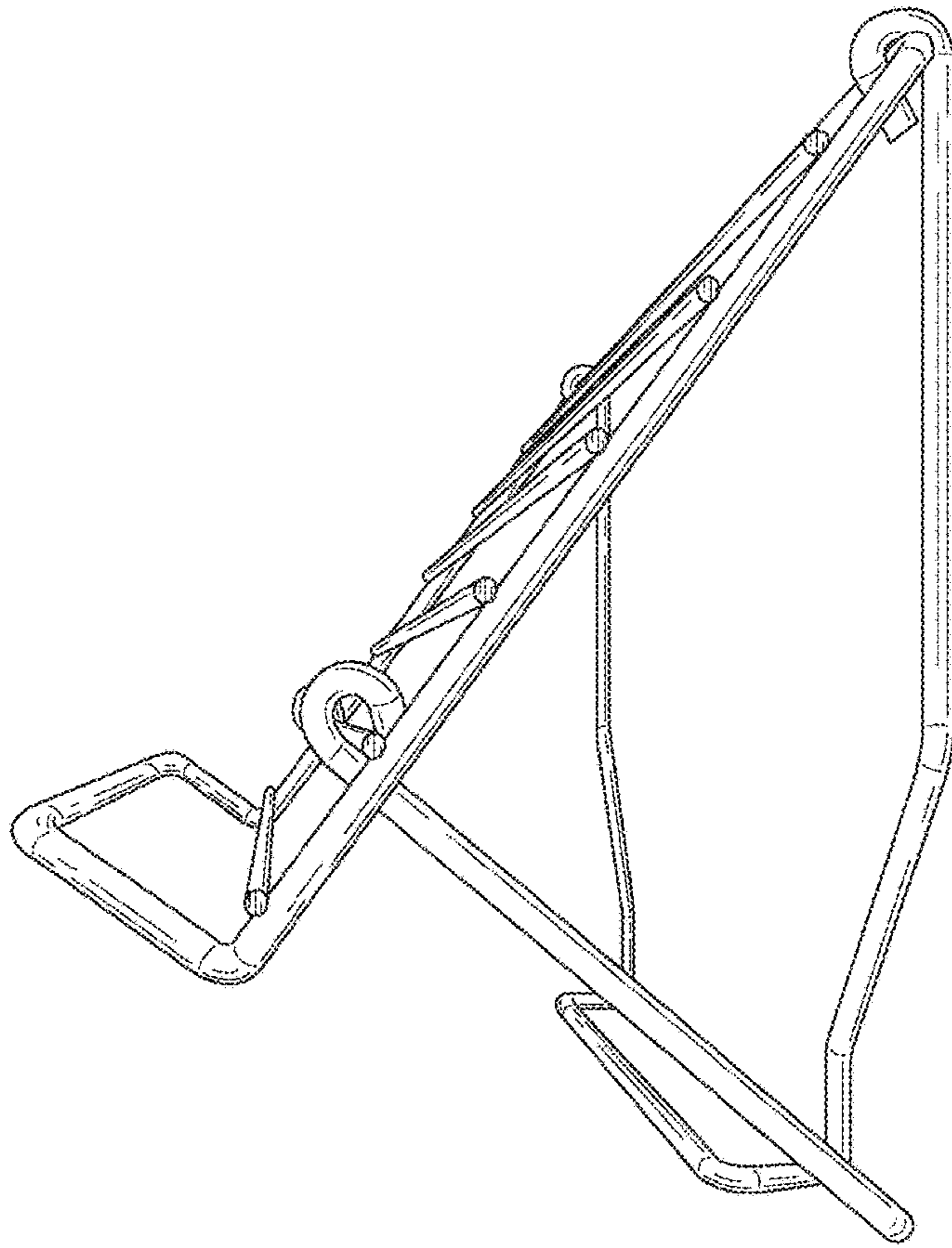


FIG. 5

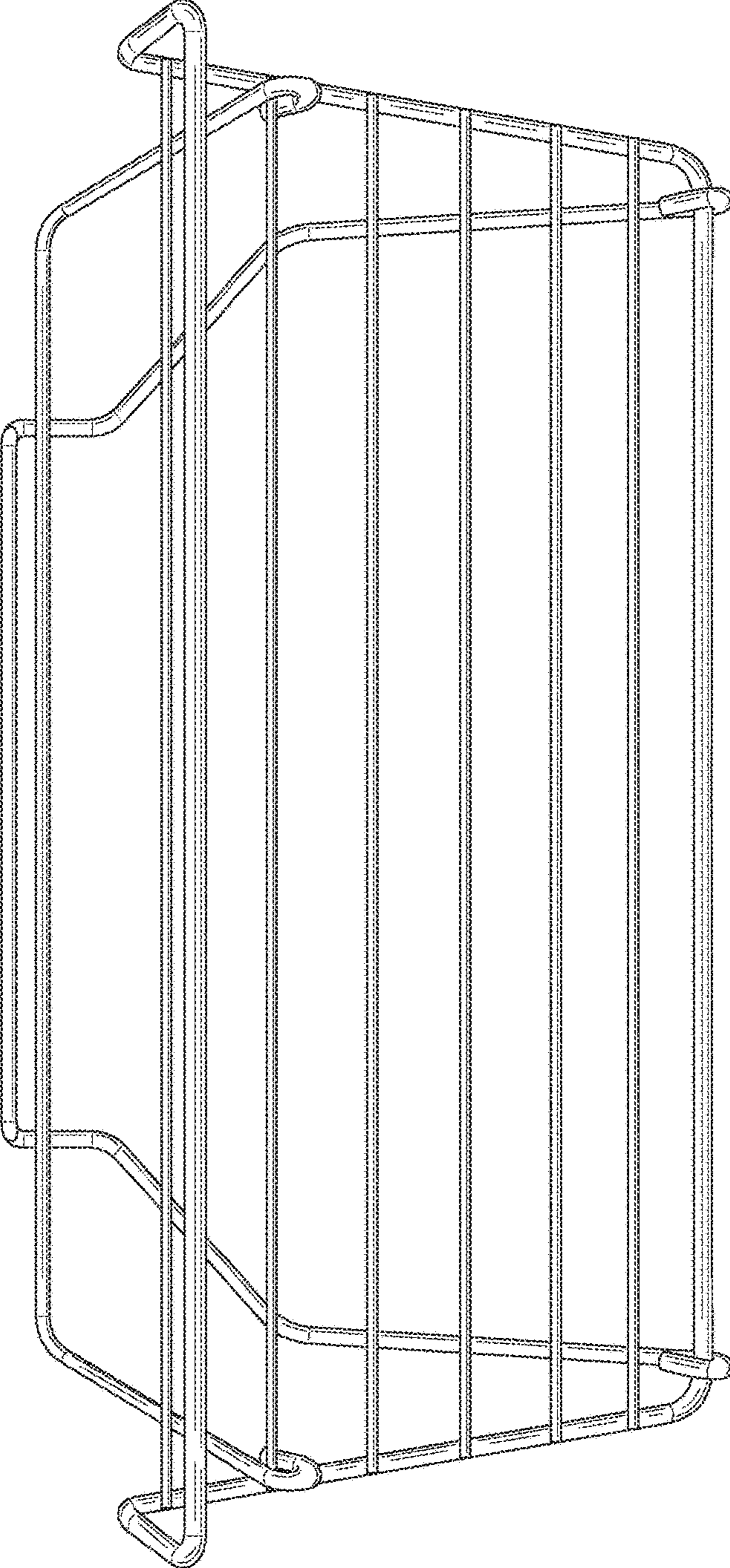


FIG. 6

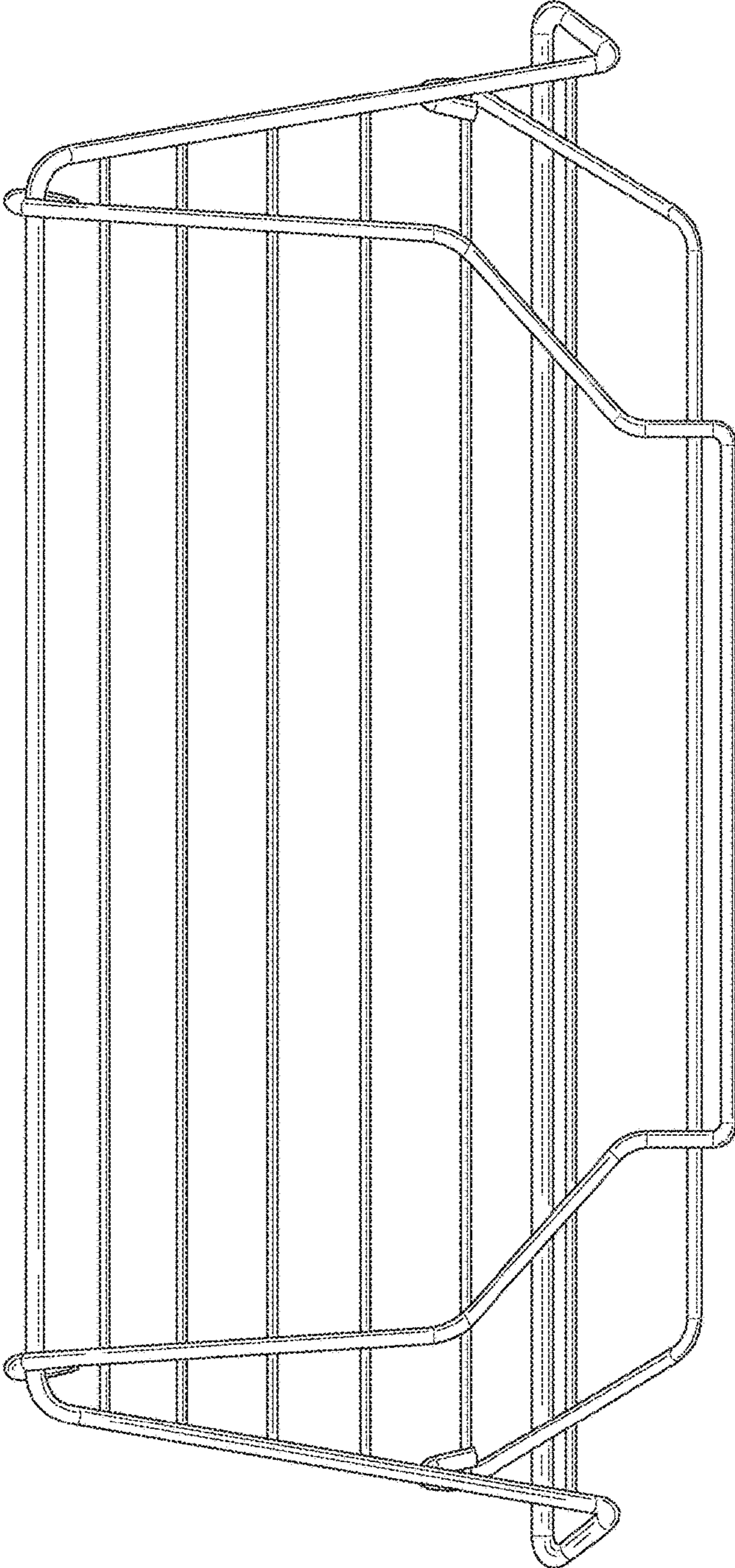


FIG. 7

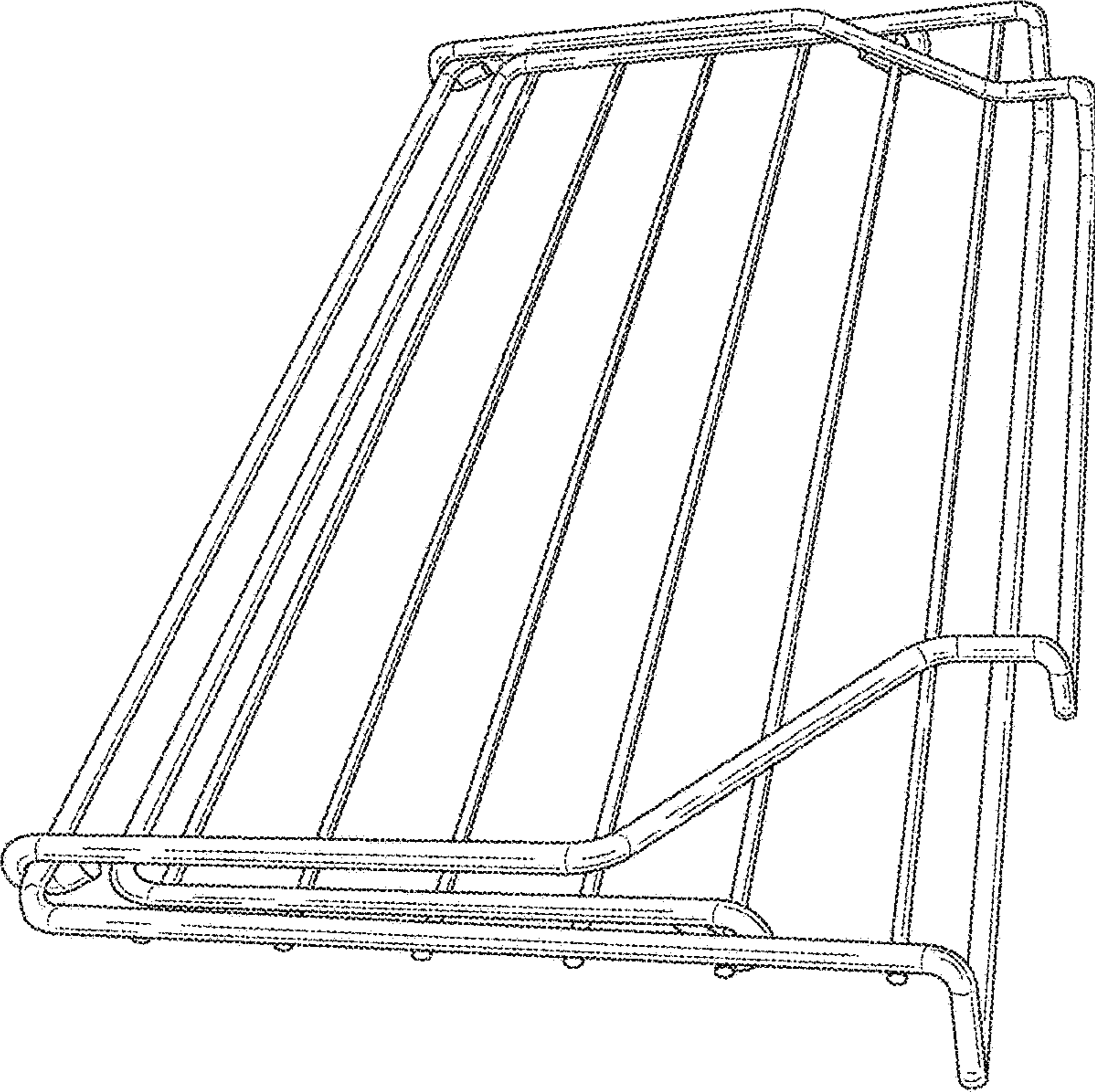


FIG. 8