



US00D858189S

(12) **United States Design Patent** (10) **Patent No.:** **US D858,189 S**
Hackley et al. (45) **Date of Patent:** **** Sep. 3, 2019**

(54) **THREE BURNER FIRE BOX**
(71) Applicant: **BBQ Guy's Manufacturing, LLC**,
Baton Rouge, LA (US)
(72) Inventors: **Michael Hackley**, Baton Rouge, LA
(US); **Kenny Miller**, Guangdong (CN);
Agile Chen, Guangdong (CN)
(73) Assignee: **BBQ GUYS MANUFACTURING,**
LLC, Baton Rouge, LA (US)
(**) Term: **15 Years**
(21) Appl. No.: **29/624,377**
(22) Filed: **Oct. 31, 2017**
(51) **LOC (12) Cl.** **07-02**
(52) **U.S. Cl.**
USPC **D7/407**
(58) **Field of Classification Search**
USPC D7/332-337, 339-341, 346-349,
D7/354-356, 362, 363, 366, 367, 396.1,
D7/402-407
CPC F23D 14/00; F23D 14/02; F23D 14/04;
F24C 3/08; H05B 2213/07; H05B 3/68
See application file for complete search history.

D361,014 S * 8/1995 Baribeau D7/402
D420,851 S * 2/2000 Wagner D7/402
D440,112 S * 4/2001 Su D7/362
D581,724 S * 12/2008 Pan D23/261
D614,436 S * 4/2010 Chung D7/337
D690,432 S * 9/2013 Sharpe D24/220
D724,702 S * 3/2015 D'Amico D23/261
D735,520 S * 8/2015 Mandil D7/354
D737,627 S * 9/2015 Goldenstein D7/402
D791,930 S * 7/2017 Rivera D23/415

* cited by examiner

Primary Examiner — Sheryl Lane

Assistant Examiner — Nicole C Shiflet

(74) *Attorney, Agent, or Firm* — Robert Devin Ricci;
Kean Miller LLP

(57) **CLAIM**

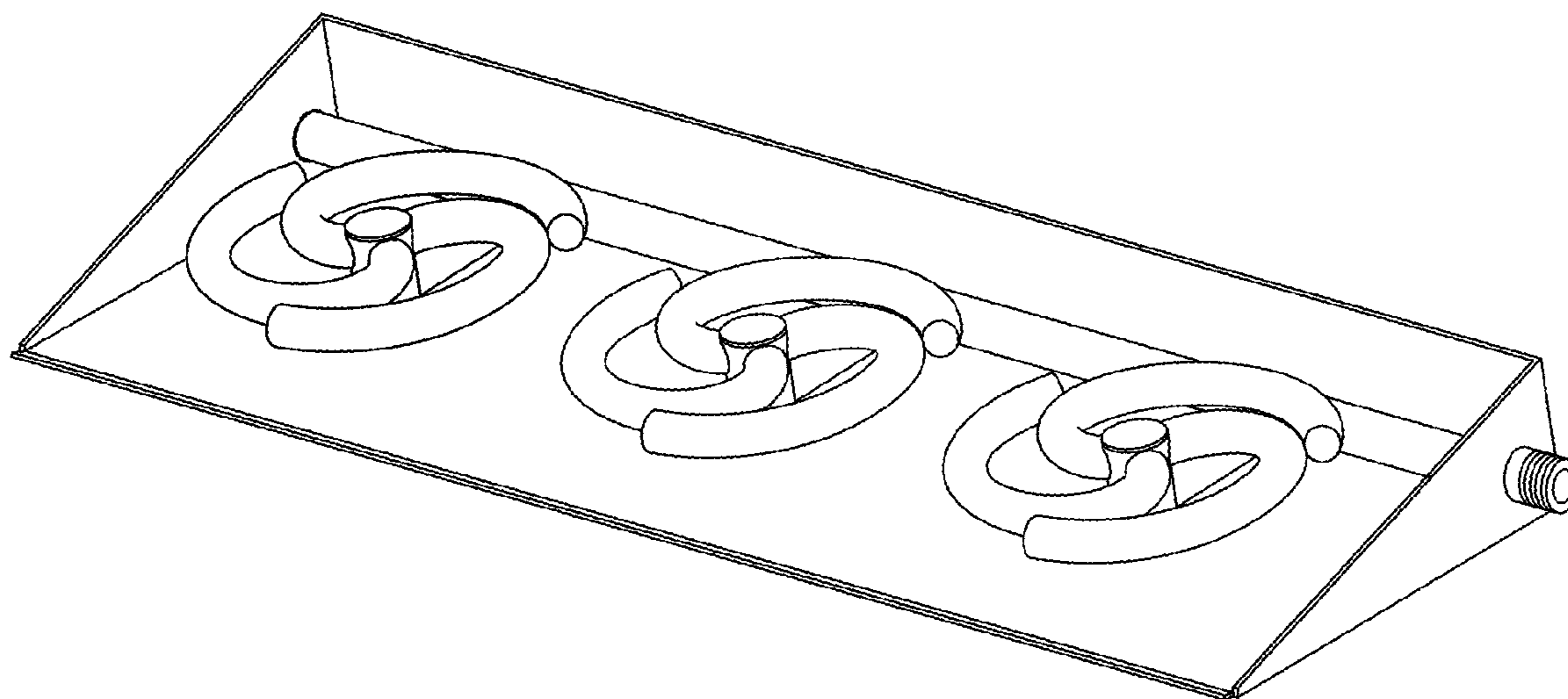
The ornamental design for a three burner fire box, as shown and described.

DESCRIPTION

FIG. 1 is a top perspective view of a three burner fire box;
FIG. 2 is front view thereof;
FIG. 3 is bottom up view thereof;
FIG. 4 is a bottom view thereof shown removed from the fire
box;
FIG. 5 is a top view thereof shown with the fire box;
FIG. 6 is a side view thereof;
FIG. 7 is an opposite side view thereof; and,
FIG. 8 is a side view cut out as depicted in FIG. 5.

1 Claim, 4 Drawing Sheets

(56) **References Cited**
U.S. PATENT DOCUMENTS
2,085,220 A * 6/1937 Howlett A47J 27/022
126/390.1
D295,818 S * 5/1988 Chan D7/332



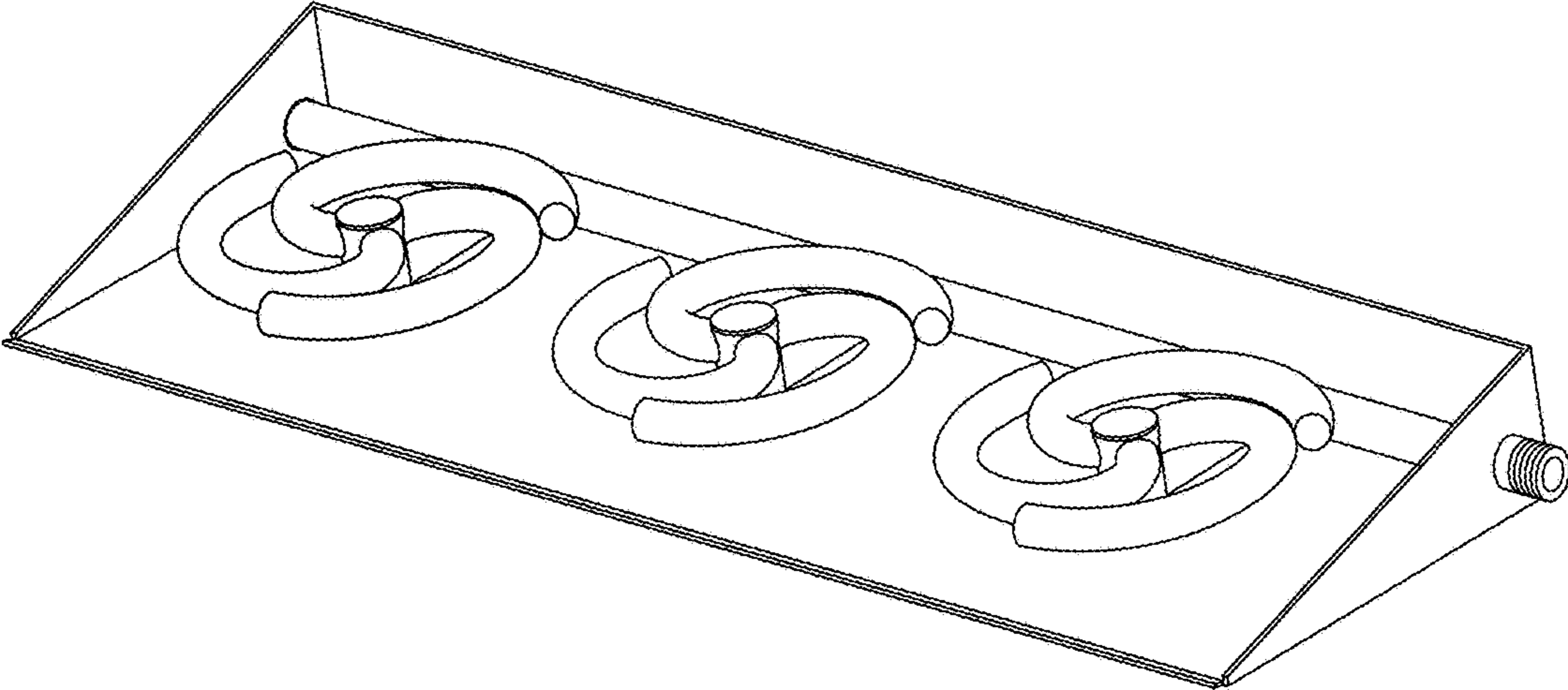


FIG. 1

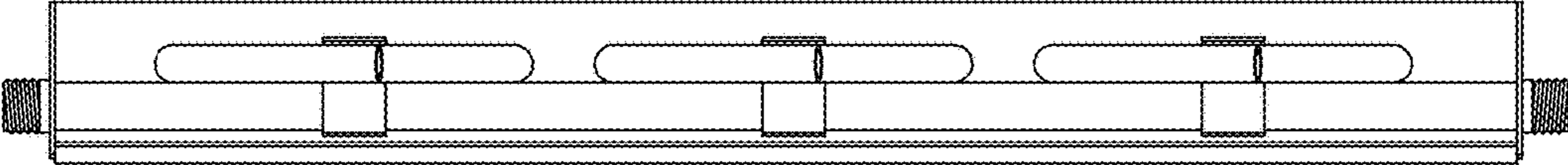


FIG. 2

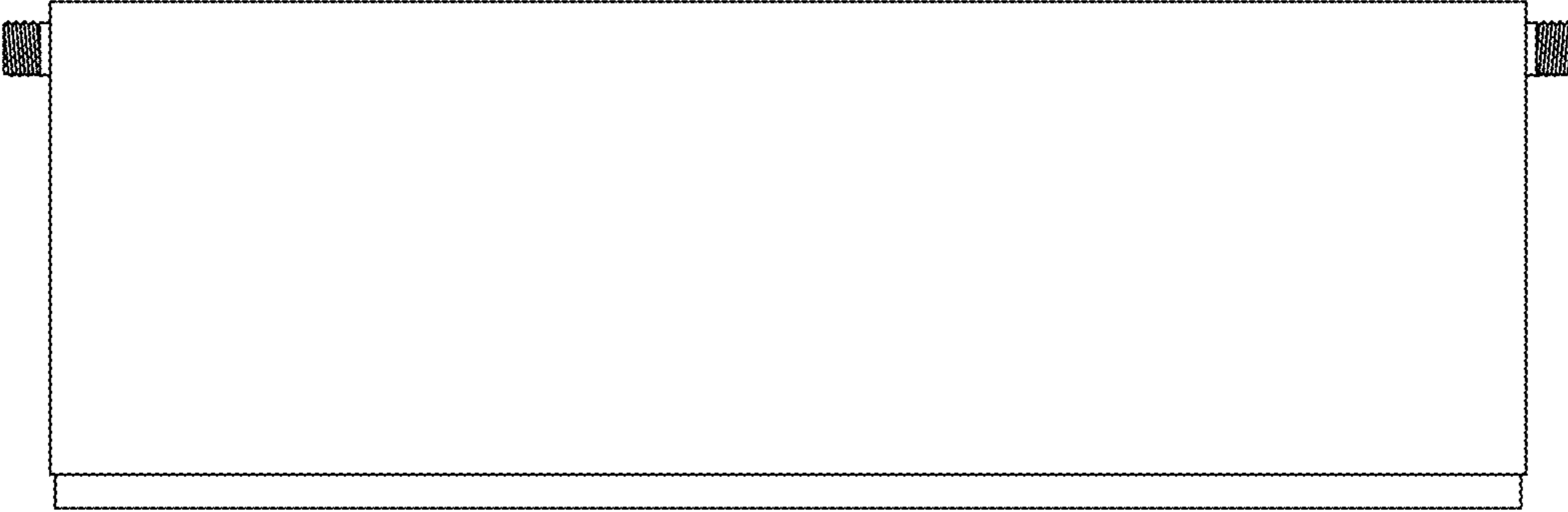


FIG. 3

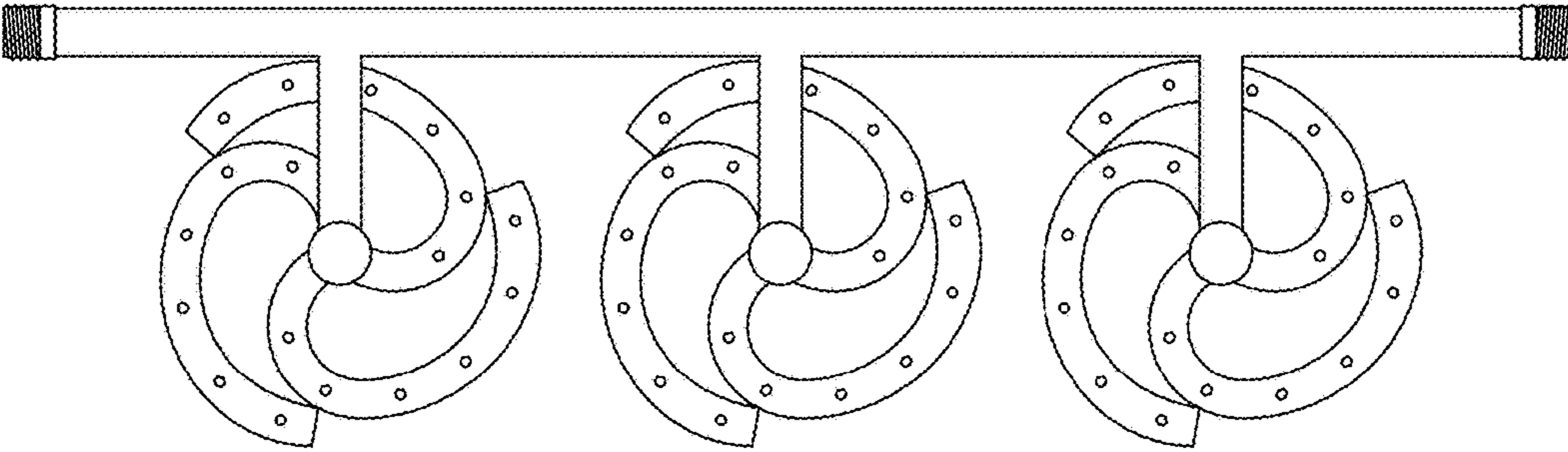


FIG. 4

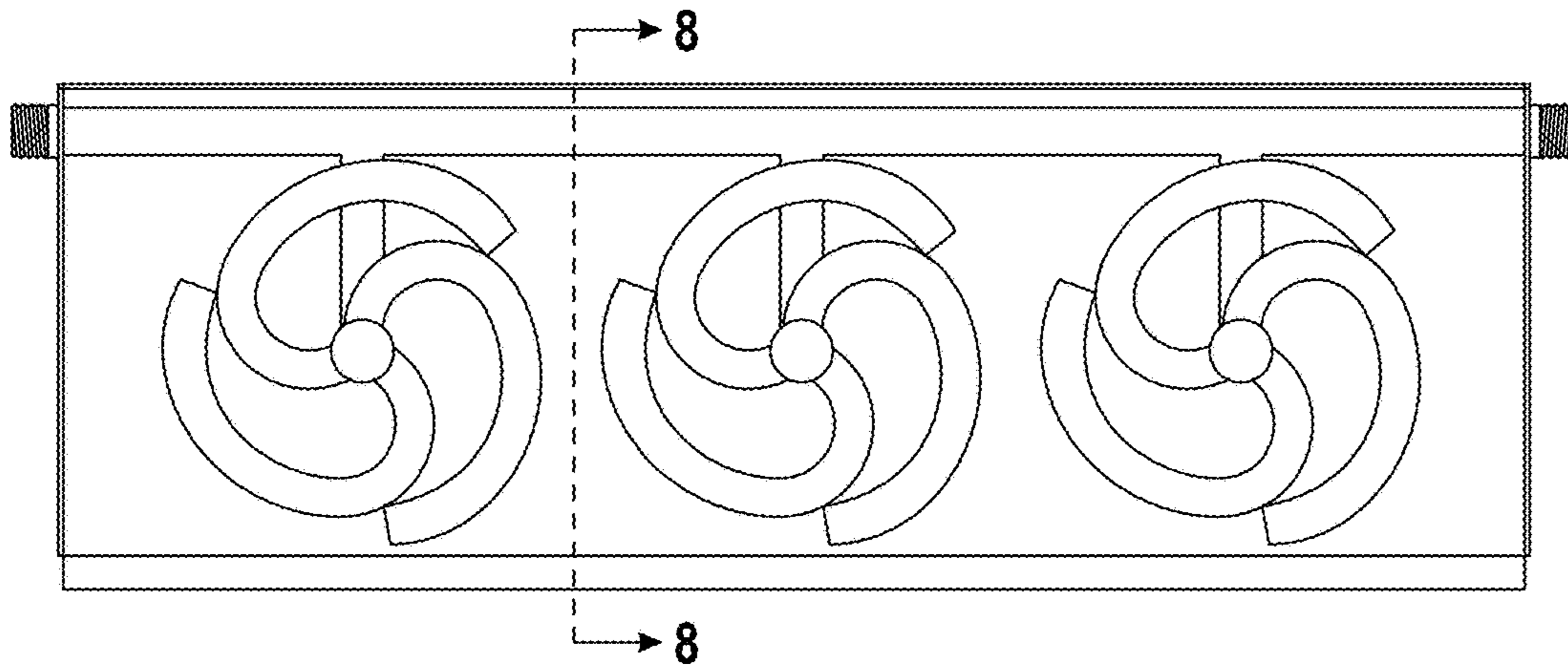


FIG. 5

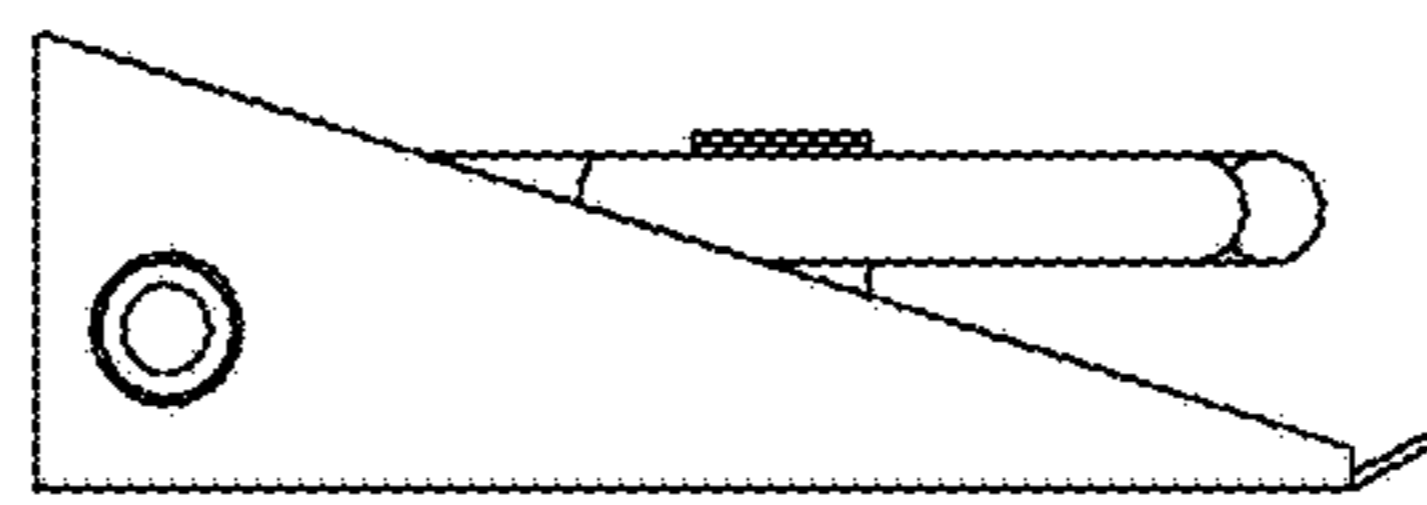


FIG. 6

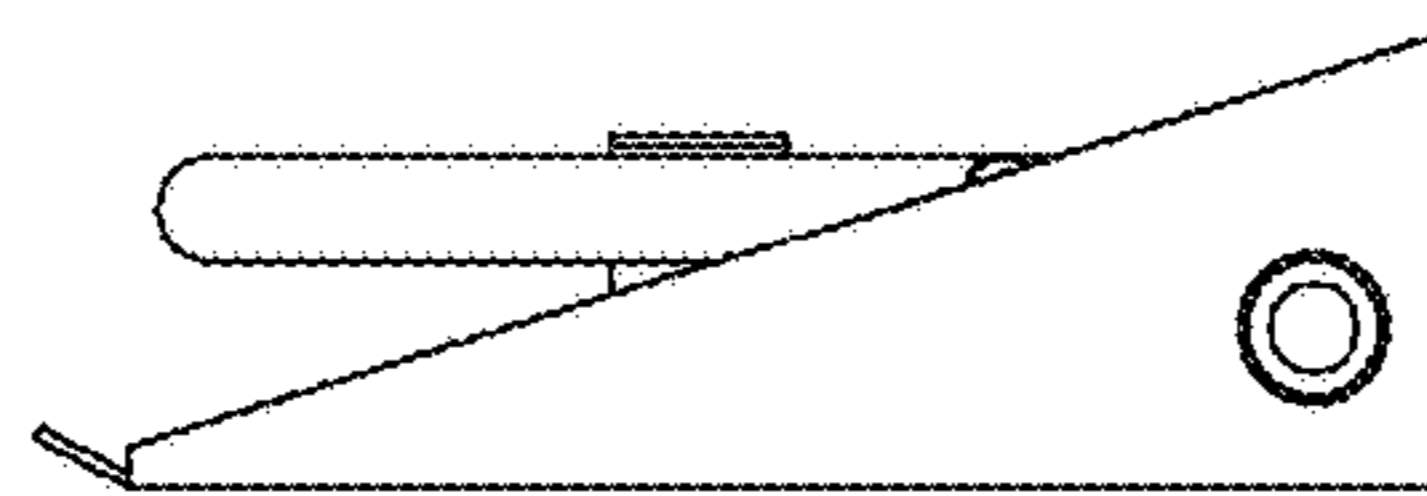


FIG. 7

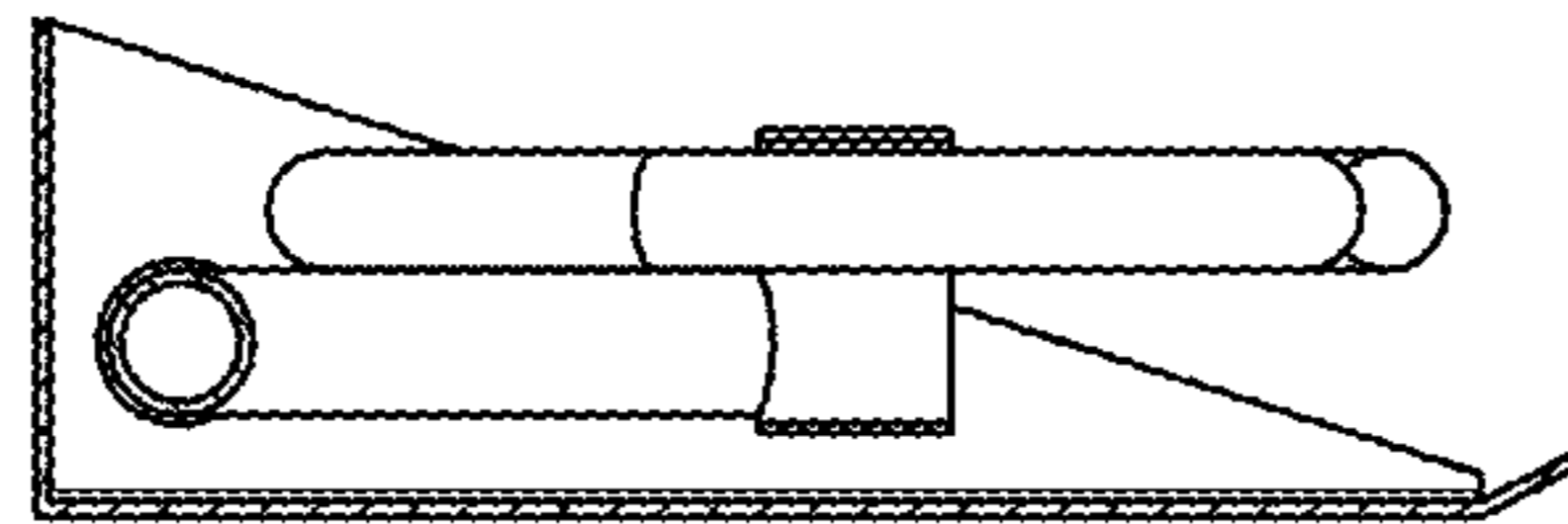


FIG. 8