



US00D858188S

(12) **United States Design Patent** (10) **Patent No.:** **US D858,188 S**
Hackley et al. (45) **Date of Patent:** **** *Sep. 3, 2019**

(54) **GAS BURNER**

(71) Applicant: **BBQ Guy's Manufacturing, LLC**,
Baton Rouge, LA (US)

(72) Inventors: **Michael Hackley**, Baton Rouge, LA
(US); **Kenny Miller**, Guangdong (CN);
Agile Chen, Guangdong (CN)

(73) Assignee: **BBQ GUYS MANUFACTURING, LLC**,
Baton Rouge, LA (US)

(*) Notice: This patent is subject to a terminal disclaimer.

(**) Term: **15 Years**

(21) Appl. No.: **29/624,367**

(22) Filed: **Oct. 31, 2017**

(51) **LOC (12) Cl.** **07-02**

(52) **U.S. Cl.**
USPC **D7/407**

(58) **Field of Classification Search**
USPC D7/332-337, 339-341, 346-349,
D7/354-356, 362, 363, 366, 367, 396.1,
D7/402-407

(Continued)

(56) **References Cited**

U.S. PATENT DOCUMENTS

1,613,534 A * 1/1927 Rice F24C 15/10
126/215
2,085,220 A * 6/1937 Howlett A47J 27/022
126/390.1

(Continued)

Primary Examiner — Sheryl Lane

Assistant Examiner — Nicole C Shiflet

(74) *Attorney, Agent, or Firm* — Robert Devin Ricci;
Kean Miller LLP

(57) **CLAIM**

The ornamental design for a gas burner, as shown and described.

DESCRIPTION

FIG. 1 is a top perspective view of a first embodiment of a gas burner;

FIG. 2 is a top perspective view thereof shown in an example environment;

FIG. 3 is a top view thereof shown removed from environment;

FIG. 4 is a bottom view thereof;

FIG. 5 is a side view thereof shown in an example environment;

FIG. 6 is the opposite side view thereof;

FIG. 7 is a front view thereof shown removed from environment;

FIG. 8 is a perspective view of another embodiment of the gas burner showing a series of two gas burners that appear in the first embodiment and in an example environment;

FIG. 9 is a perspective view of another embodiment of the gas burner showing a series of three gas burners that appear in the first embodiment and in an example environment;

FIG. 10 is a perspective view of another embodiment of the gas burner showing a series of four gas burners that appear in the first embodiment and in an example environment;

FIG. 11 is a perspective view of another embodiment of the gas burner showing a series of five gas burners that appear in the first embodiment and in an example environment;

FIG. 12 is a top view of the embodiment shown in FIG. 9;

FIG. 13 is a top view thereof shown in different environment;

FIG. 14 is a bottom thereof shown in different environment;

FIG. 15 is a bottom thereof shown in different environment;

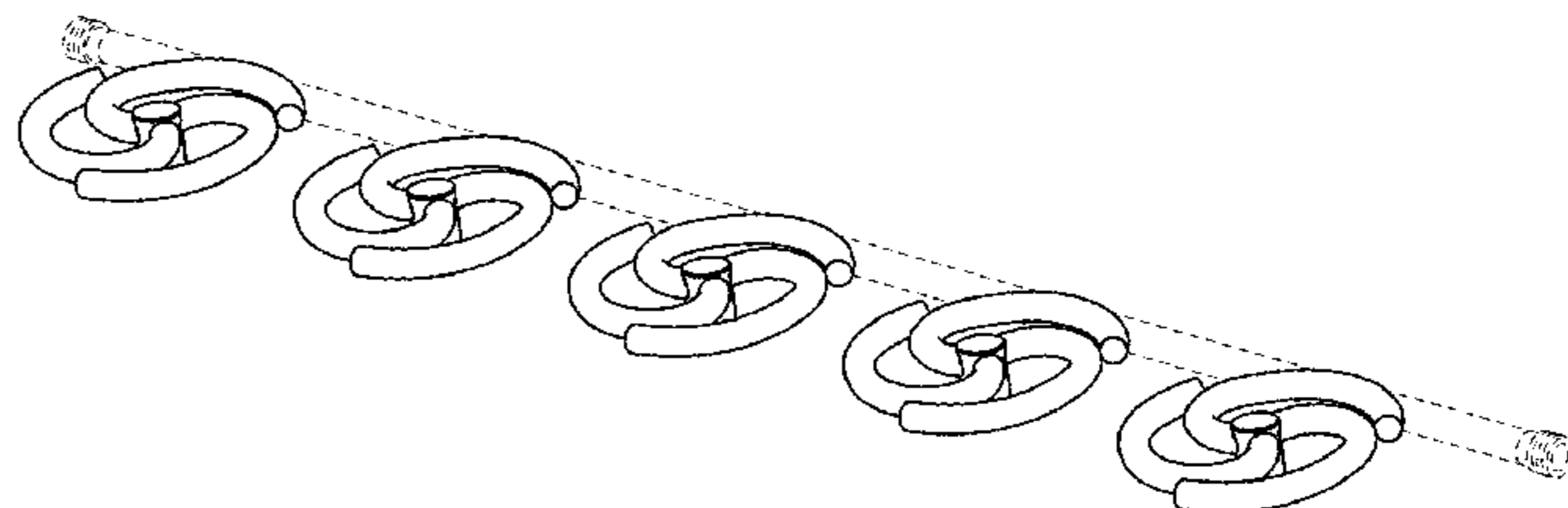
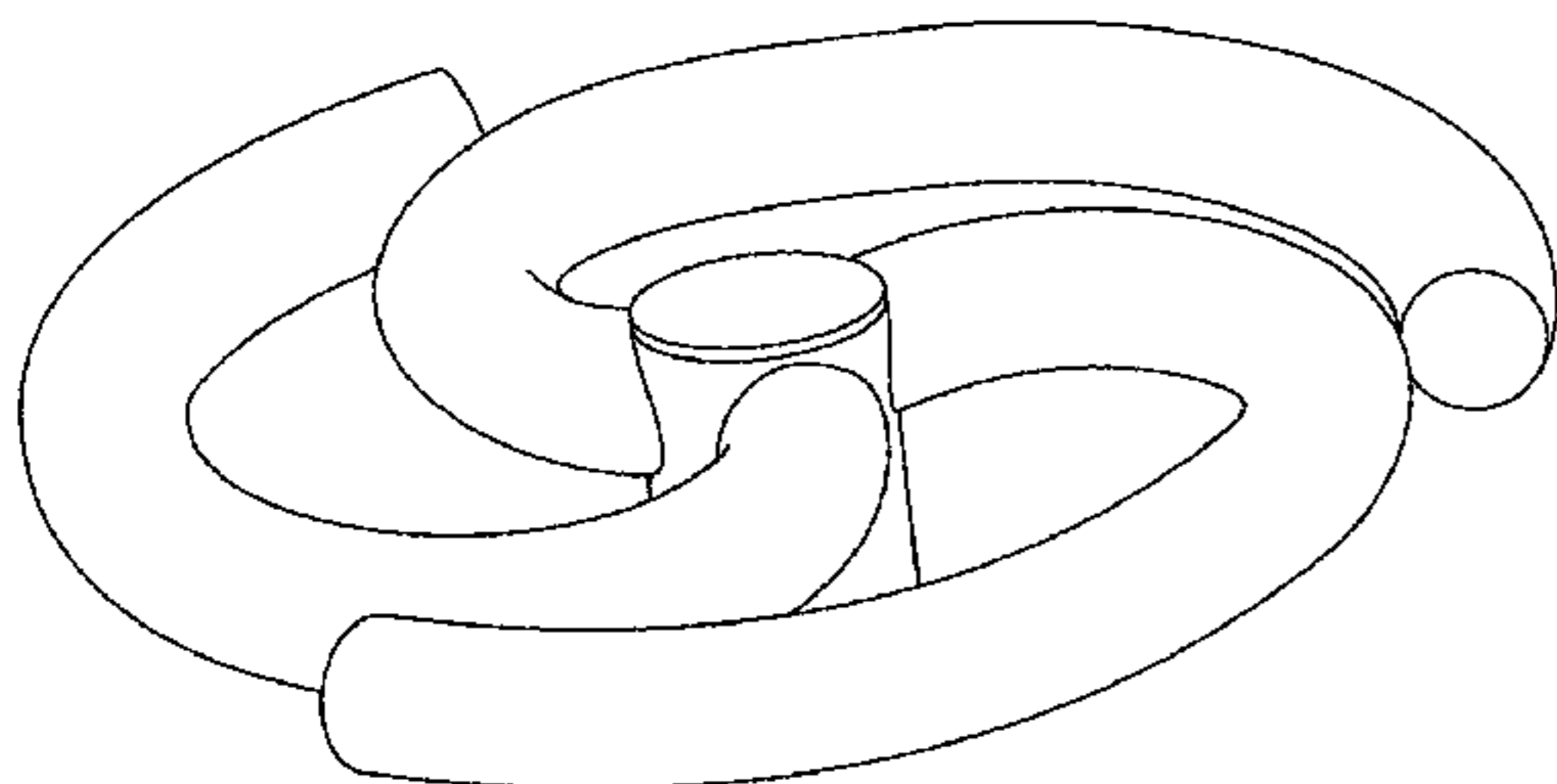
FIG. 16 is a side view cut out as depicted in FIG. 13;

FIG. 17 is a rear view thereof shown in different environment; and,

FIG. 18 is a rear view thereof shown in different environment.

The broken lines showing environment form no part of the claimed design.

1 Claim, 8 Drawing Sheets



(58) **Field of Classification Search**

CPC F23D 14/00; F23D 14/02; F23D 14/04;
F24C 3/08; H05B 2213/07; H05B 3/68

See application file for complete search history.

(56) **References Cited**

U.S. PATENT DOCUMENTS

| | | | | |
|--------------|---------|---------|-------|---------|
| D440,112 S * | 4/2001 | Su | | D7/362 |
| D581,724 S * | 12/2008 | Pan | | D23/261 |
| D599,444 S * | 9/2009 | Jones | | D23/261 |
| D635,398 S * | 4/2011 | Watabe | | D7/400 |
| D690,432 S * | 9/2013 | Sharpe | | D24/220 |
| D710,647 S * | 8/2014 | Mandil | | D7/354 |
| D724,702 S * | 3/2015 | D'Amico | | D23/261 |
| D735,520 S * | 8/2015 | Mandil | | D7/354 |
| D774,350 S * | 12/2016 | Mandil | | D7/354 |
| D791,930 S * | 7/2017 | Rivera | | D23/415 |

* cited by examiner

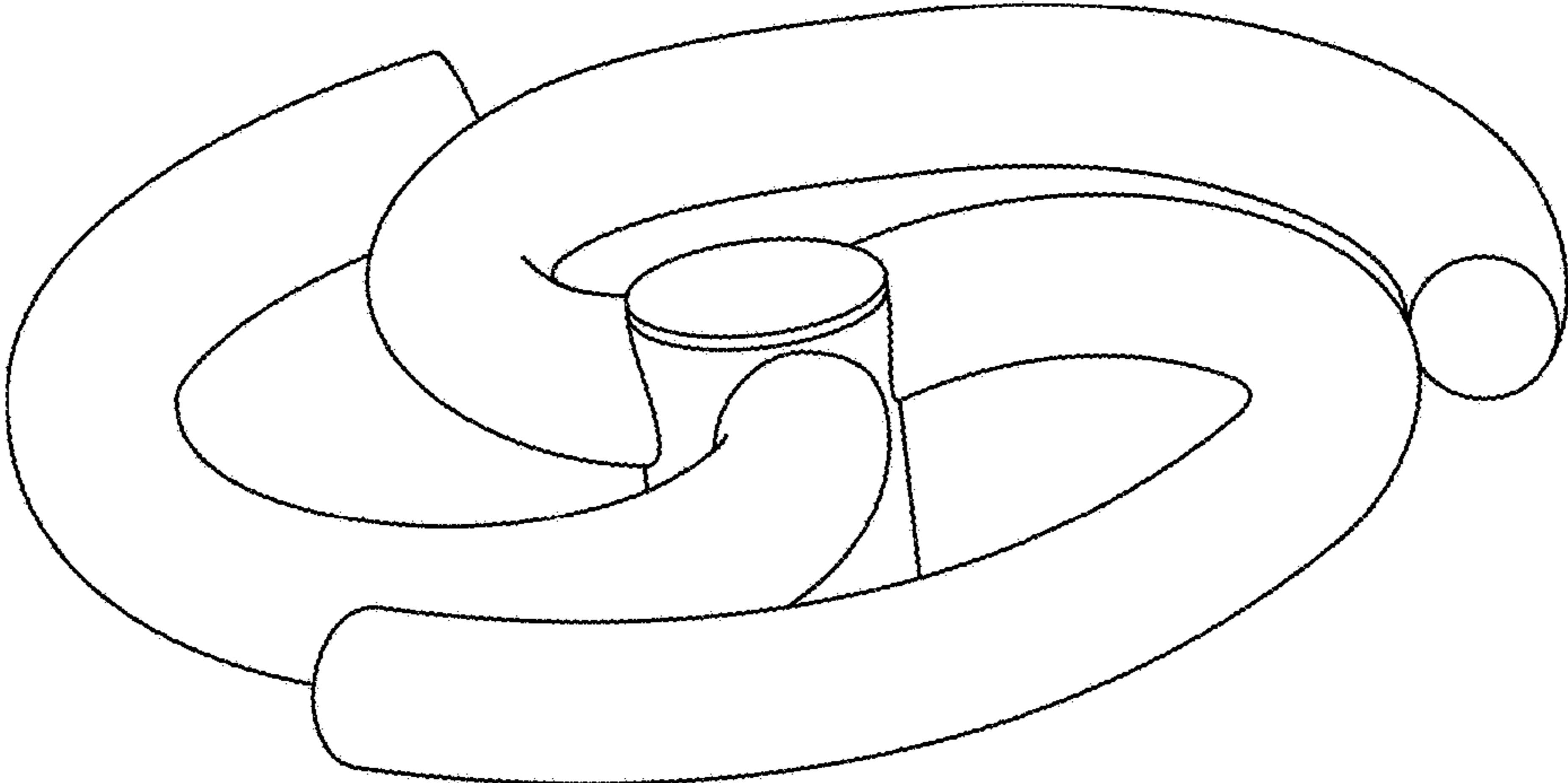


FIG. 1

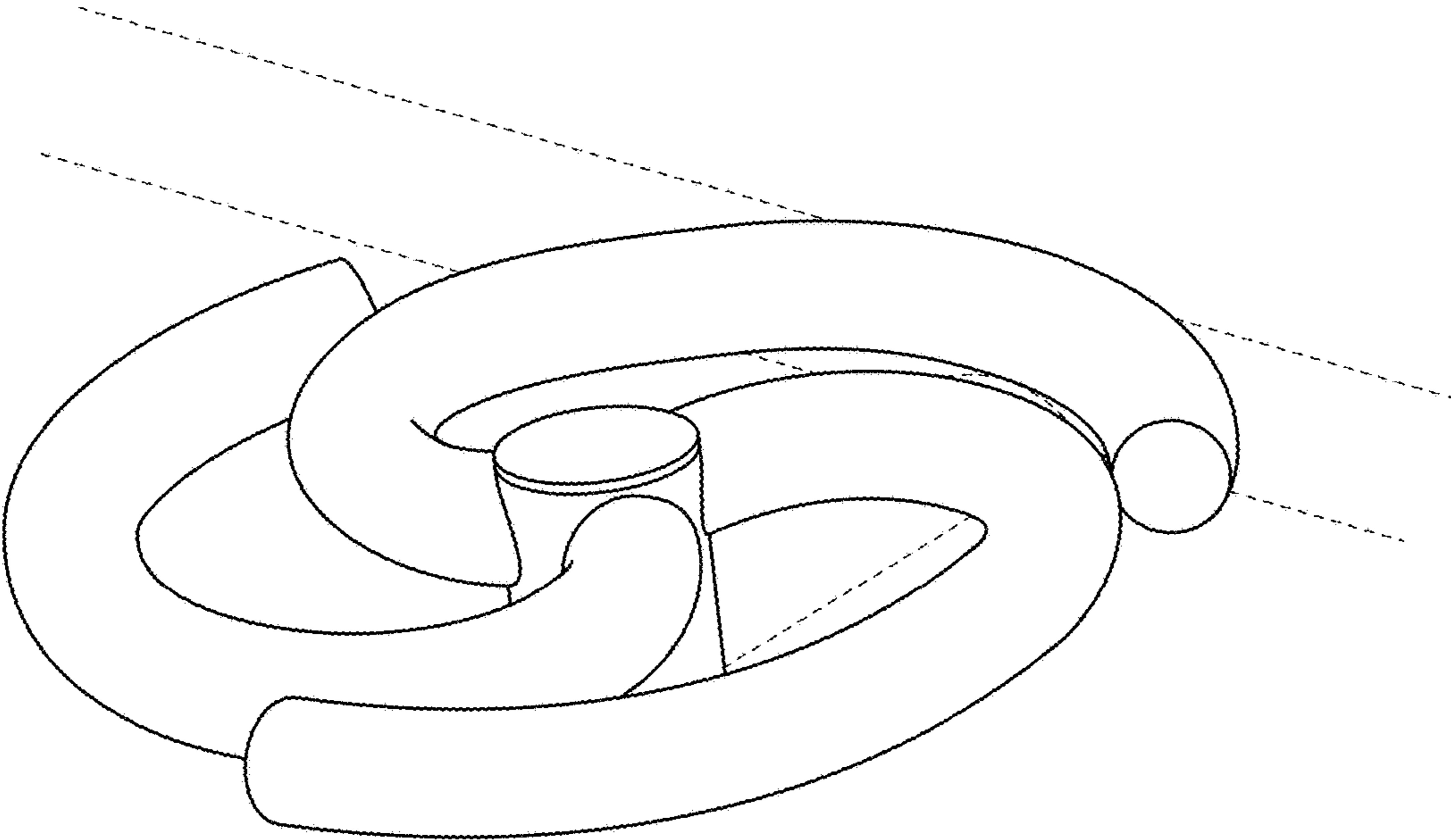


FIG. 2

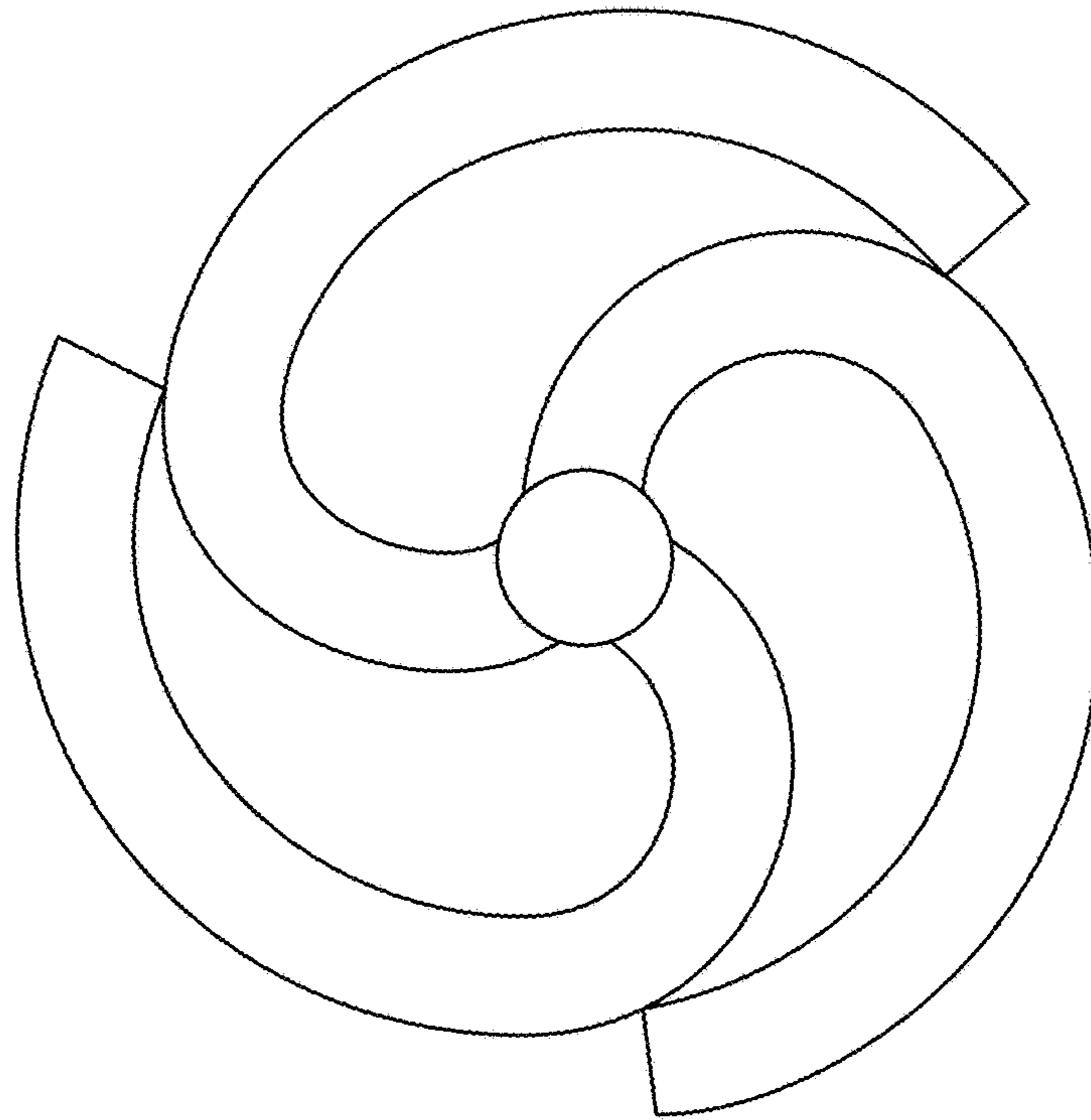


FIG. 3

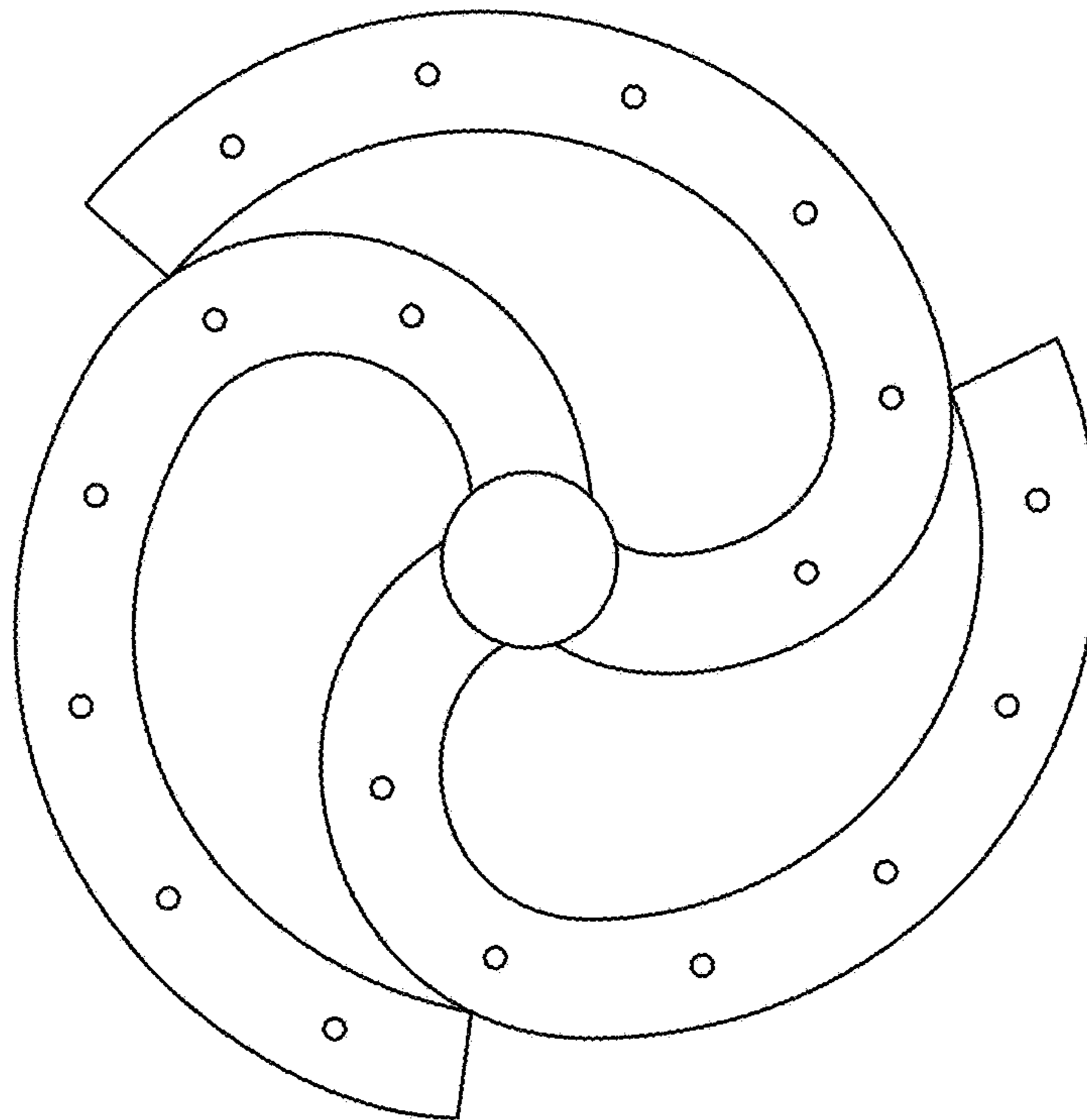


FIG. 4

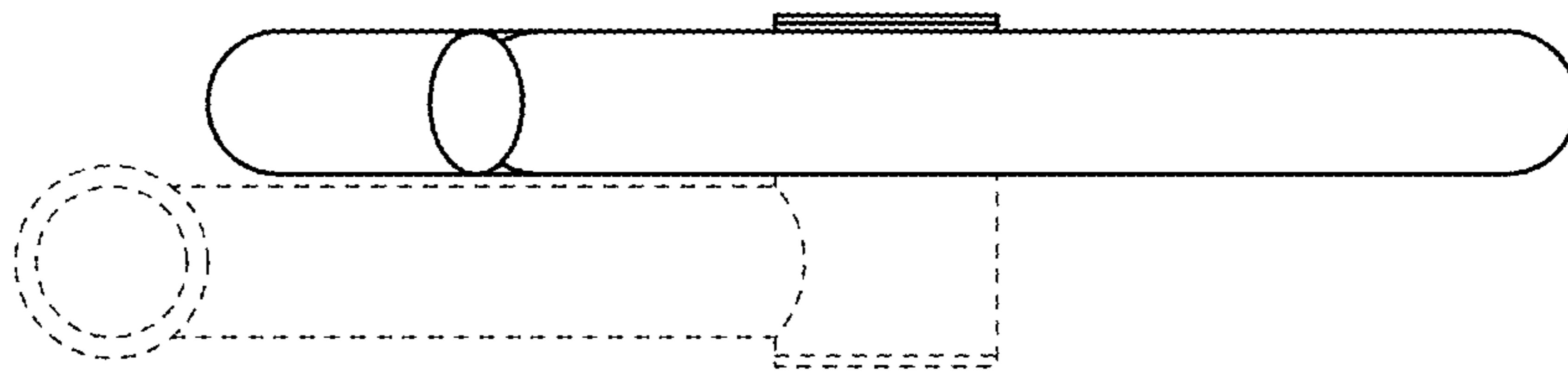


FIG. 5

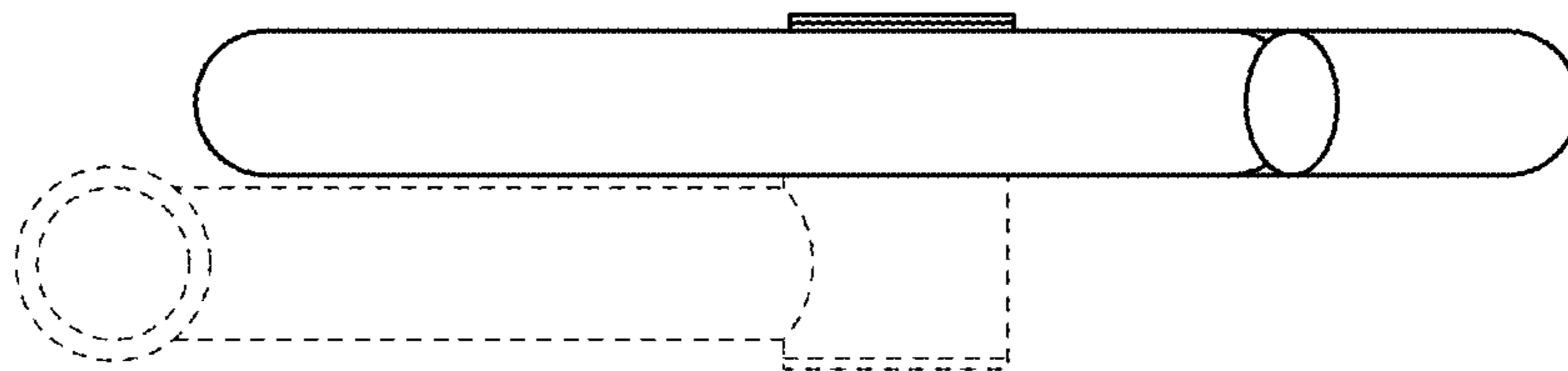


FIG. 6



FIG. 7

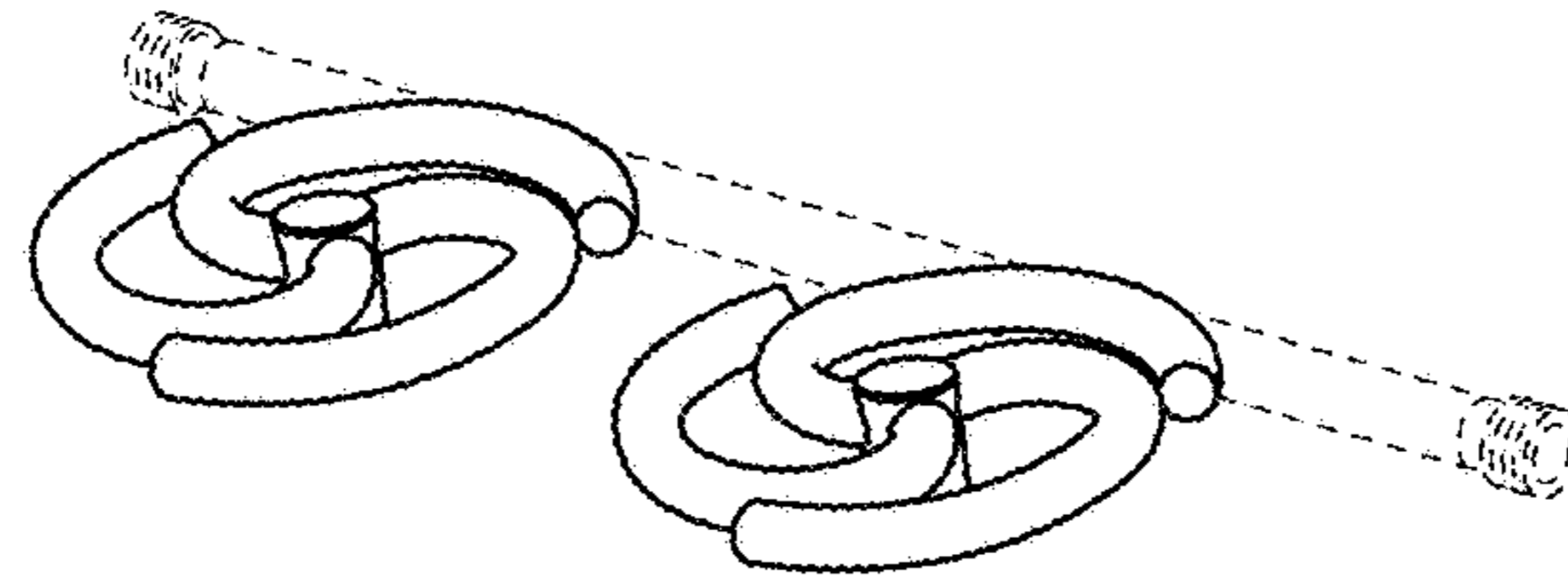


FIG. 8

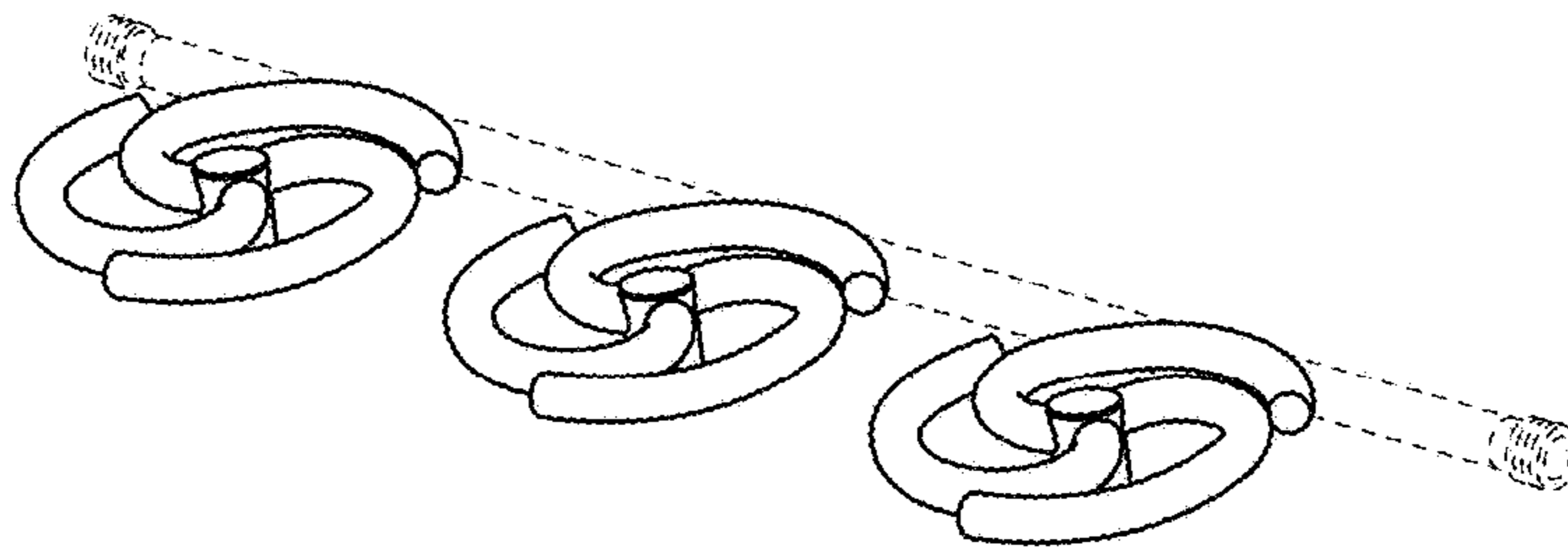


FIG. 9

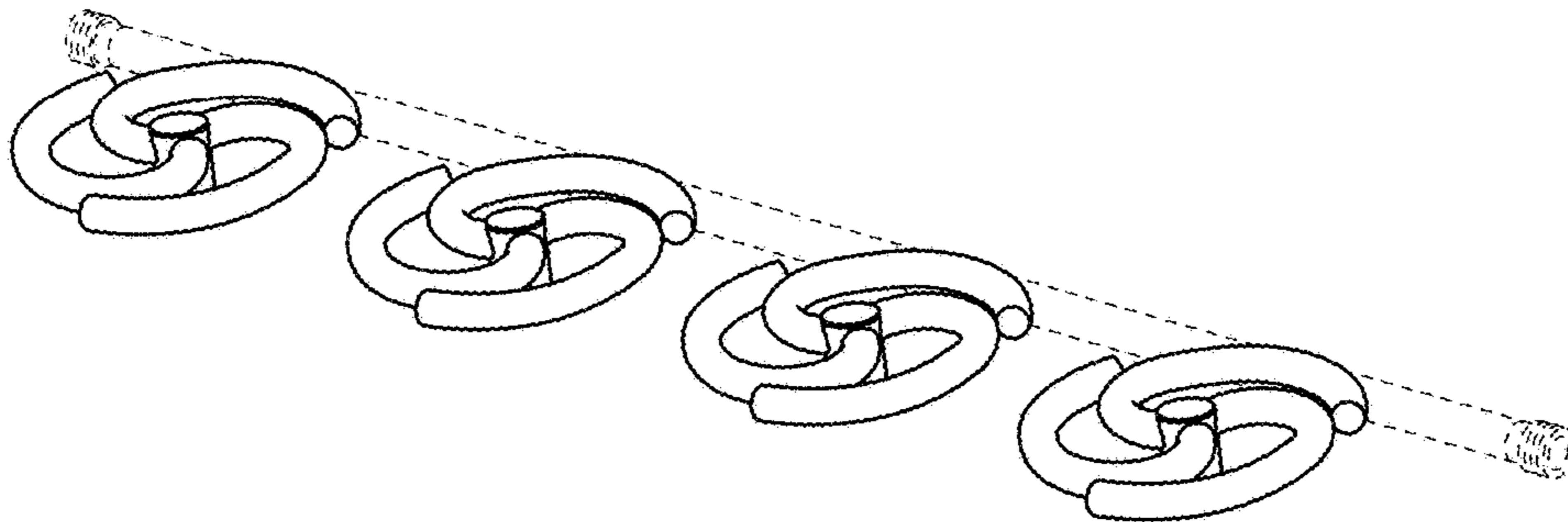


FIG. 10

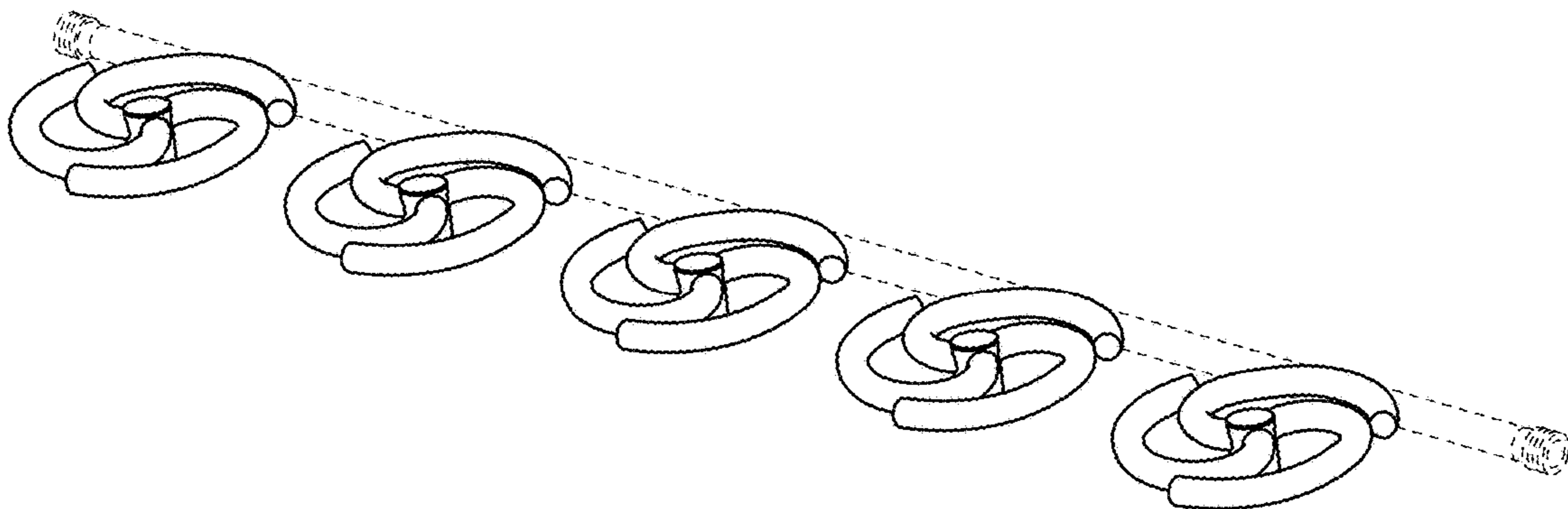


FIG. 11

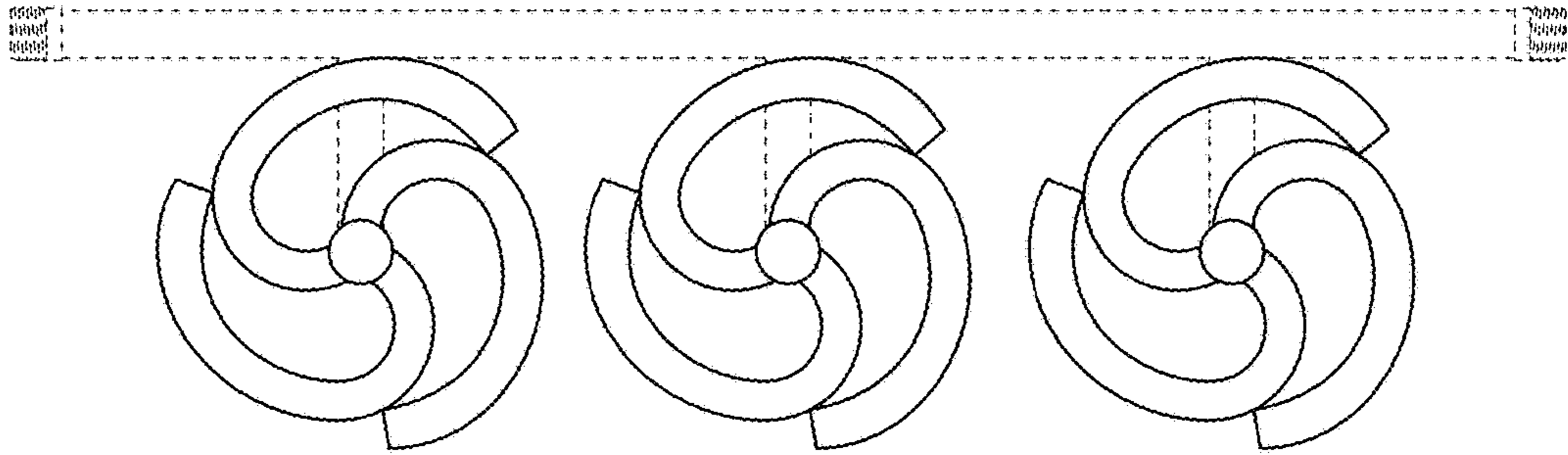


FIG. 12

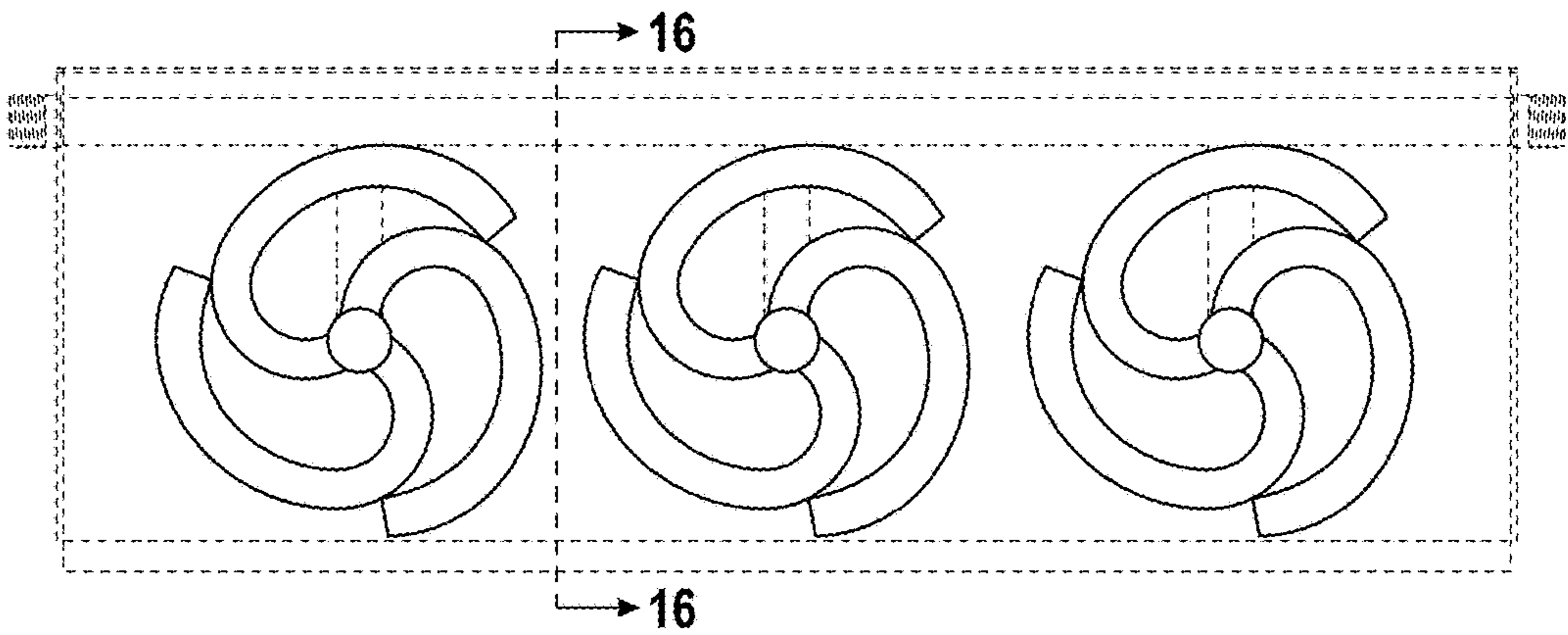


FIG. 13

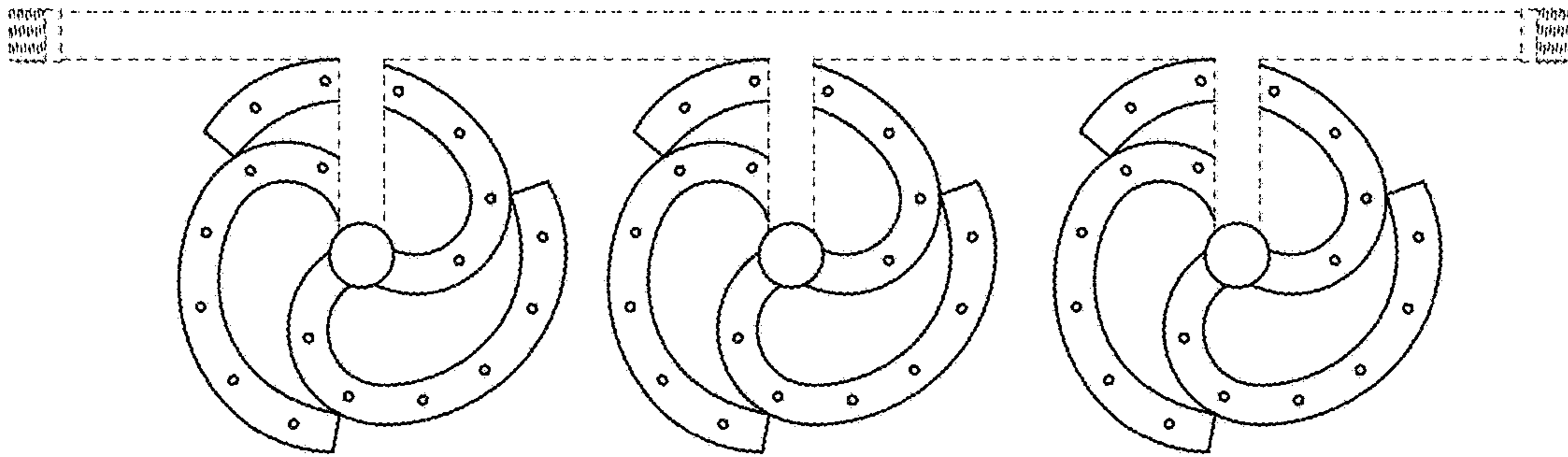


FIG. 14

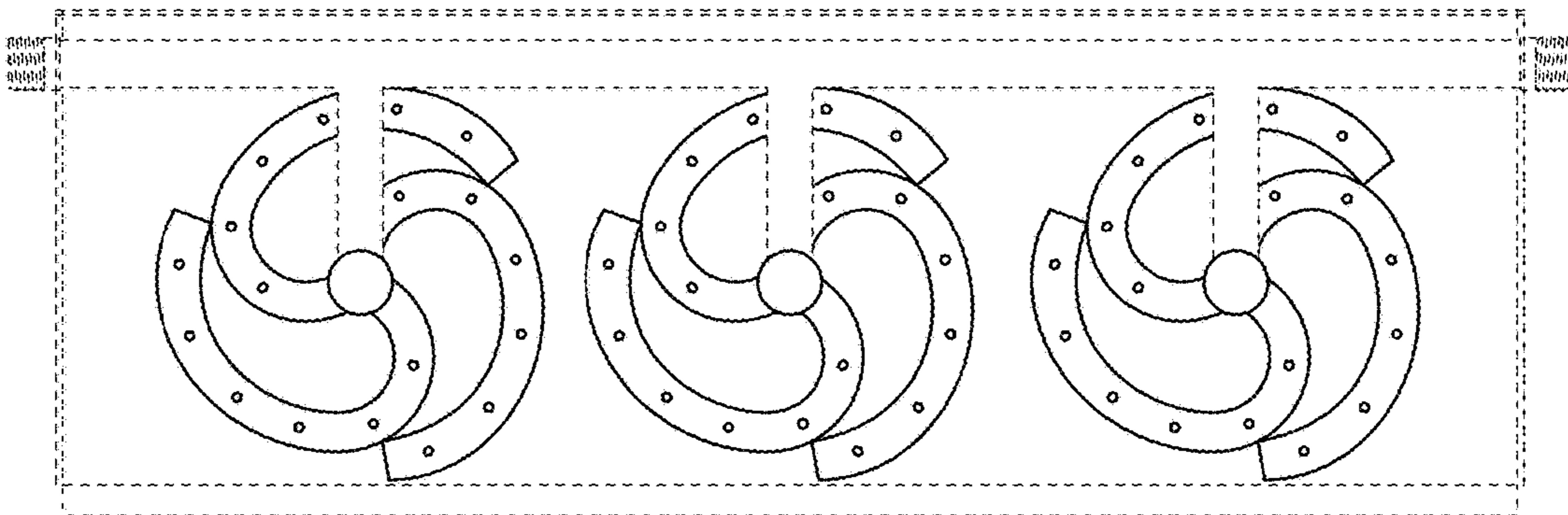


FIG. 15

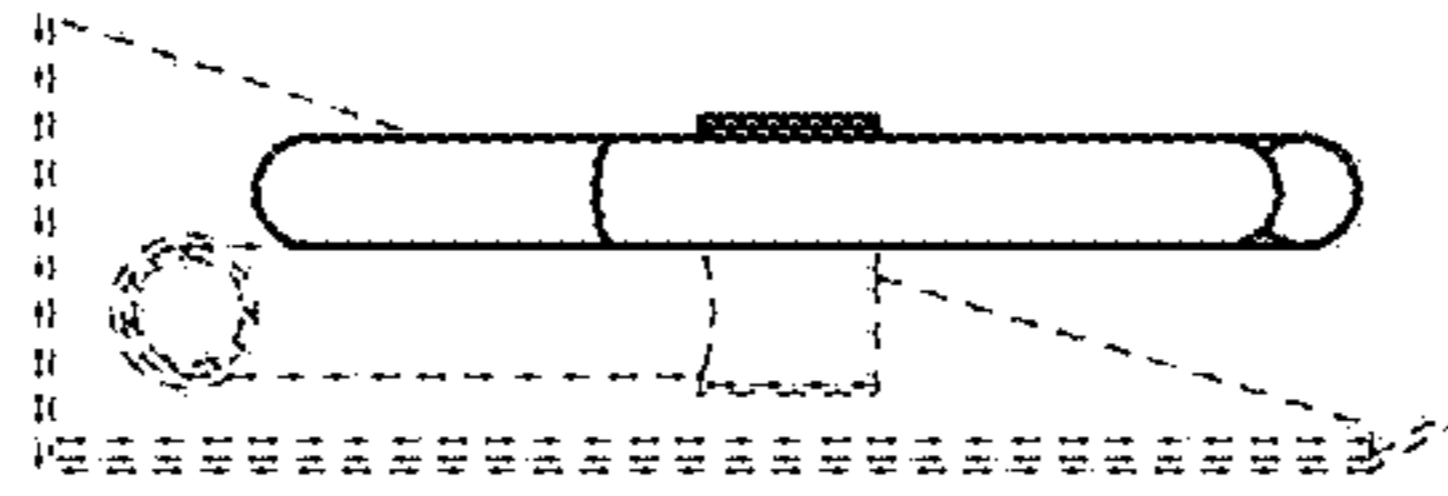


FIG. 16

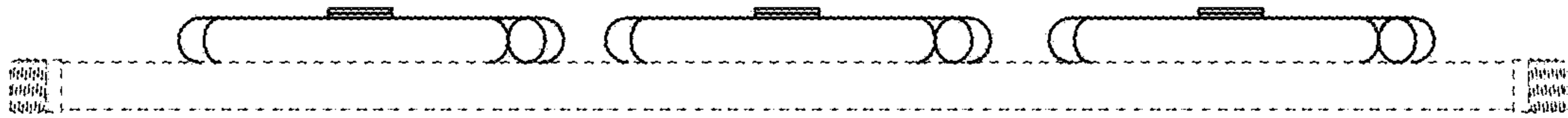


FIG. 17

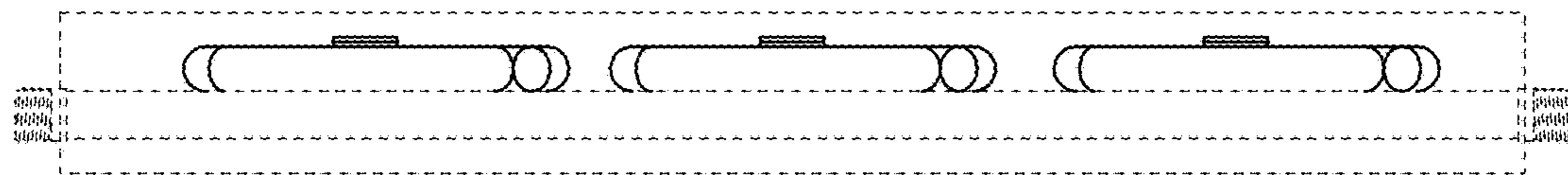


FIG. 18