



US00D858183S

(12) **United States Design Patent** (10) **Patent No.:** **US D858,183 S**
Thun et al. (45) **Date of Patent:** **** Sep. 3, 2019**

(54) **UTENSIL**

(71) Applicant: **Zwilling J.A. Henckels AG**, Solingen (DE)

(72) Inventors: **Matteo Thun**, Mailand (IT); **Antonio Rodriguez**, Mailand (IT)

(73) Assignee: **Zwilling J.A. Henckels AG**, Solingen (DE)

(**) Term: **15 Years**

(21) Appl. No.: **29/634,611**

(22) Filed: **Jan. 23, 2018**

(30) **Foreign Application Priority Data**

Jul. 25, 2017 (EM) 004119592-0001

(51) **LOC (12) Cl.** **07-02**

(52) **U.S. Cl.** **D7/395**

USPC **D7/395**

(58) **Field of Classification Search**

USPC D7/354-361, 393-395, 401.2, 664; D8/107, 300, 303, 307, 313, 321; D4/138, 129

CPC A47J 45/06; A47J 45/061; A47J 45/62; A47J 45/071; A47J 45/072; A47J 45/08; A47J 45/085

See application file for complete search history.

(56) **References Cited**

U.S. PATENT DOCUMENTS

D257,118 S 9/1980 Lea

D258,190 S 2/1981 Mohr

D264,298 S 5/1982 Guttman

D265,163 S 6/1982 Steiner

D268,561 S 4/1983 Risser

D272,118 S 1/1984 Steiner

D272,119 S 1/1984 Steiner

D272,405 S 1/1984 Steiner

D272,406 S 1/1984 Steiner

D272,883 S 3/1984 Steiner

D273,076 S * 3/1984 Bodfish D7/395

D295,013 S * 4/1988 Vosbikian D8/10

D390,067 S 2/1998 Shane-Schuldt

D392,848 S 3/1998 Zeller

D392,851 S 3/1998 Zeller

D416,439 S 11/1999 Kwok

D421,874 S 3/2000 Freeman

D424,869 S * 5/2000 Chau D7/395

D431,759 S 10/2000 Junko

D433,873 S 11/2000 Yu

D437,190 S 2/2001 Holcomb

D445,316 S 7/2001 Börner

D446,079 S 8/2001 Rae

D455,606 S * 4/2002 Lee D7/395

D459,149 S * 6/2002 Richied D7/395

D459,943 S * 7/2002 Richied D7/395

D460,318 S 7/2002 Richied et al.

D461,363 S 8/2002 Law

D461,379 S 8/2002 Wang

D474,645 S * 5/2003 Kaufmann D7/394

D474,646 S 5/2003 Zemel

D480,612 S 10/2003 Schülein

D488,339 S 4/2004 Lee

D493,679 S 8/2004 Metzger-Boehringer

D496,217 S 9/2004 Sun

D498,990 S 11/2004 White et al.

D526,544 S 8/2006 Settele

D529,720 S * 10/2006 Chang D4/138

D533,398 S 12/2006 Kallenberger

D533,401 S 12/2006 Kallenberger

D541,602 S 5/2007 Yu

D552,432 S 10/2007 Shane-Schuldt

D555,436 S 11/2007 Slothower

D565,361 S 4/2008 Shane-Schuldt

D578,826 S * 10/2008 Lu D7/395

D581,745 S 12/2008 Richmond

D597,802 S 8/2009 Yu

D614,924 S 5/2010 Bodum

D624,264 S * 9/2010 Li D32/51

D628,029 S 11/2010 Rothman

D643,680 S 8/2011 Bodum

D649,412 S 11/2011 Lo

D650,219 S * 12/2011 Lu D7/401.2

D663,159 S * 7/2012 Zemel D7/395

D667,689 S 9/2012 Rae

D674,251 S 1/2013 Mahaffey et al.

D678,003 S 3/2013 Ditta, Jr.

D678,715 S 3/2013 Rae

D693,636 S 11/2013 Sweet et al.

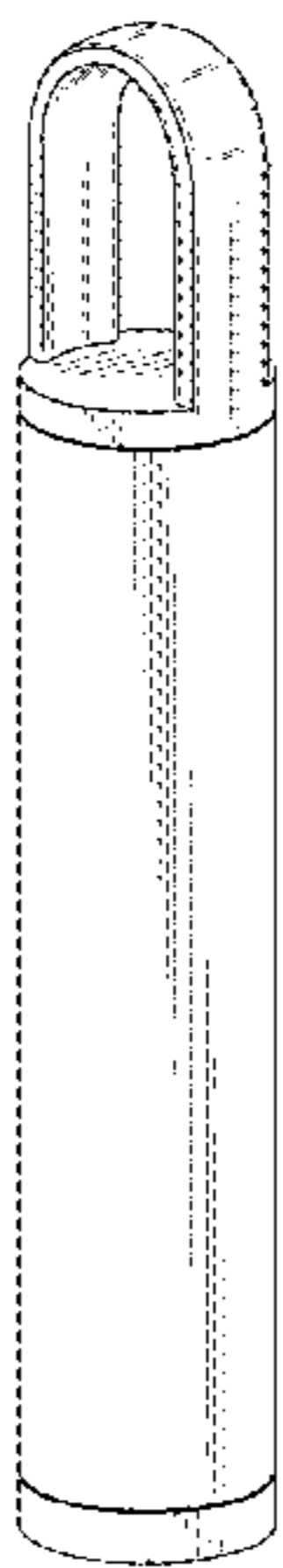
D693,637 S 11/2013 Sweet et al.

D709,740 S 7/2014 Teal

D730,705 S 6/2015 Brown et al.

D734,090 S 7/2015 Bourbeau

D737,626 S * 9/2015 Lu D7/395



D753,964 S 4/2016 Schuler et al.
 D758,148 S 6/2016 Weernink
 D765,453 S 9/2016 Suquet et al.
 D777,509 S 1/2017 Lee
 D785,416 S 5/2017 Knittig et al.
 D793,821 S 8/2017 Venot et al.

EP 001155691-0020 9/2009
 EP 001155691-0021 9/2009
 EP 001155691-0022 9/2009
 EP 001155691-0023 9/2009
 EP 001155691-0024 9/2009
 EP 001155691-0025 9/2009
 EP 001155691-0026 9/2009
 EP 001155691-0027 9/2009
 EP 001155691-0028 9/2009
 EP 001155691-0029 9/2009
 EP 001155691-0030 9/2009
 EP 001155691-0031 9/2009
 EP 001155691-0032 9/2009
 EP 002030874-0005 12/2012
 EP 002601450-0007 6/2015
 EP 002601450-0008 6/2015
 EP 002601450-0009 6/2015
 GB 2004465 9/1990
 GB 2004466 9/1990
 GB 2004468 9/1990
 GB 2004470 9/1990
 GB 2004471 9/1990
 PL 04727-0001 4/2004
 WO D061706-001 10/2002
 WO D062433-001 2/2003

FOREIGN PATENT DOCUMENTS

AT 2820/1998-0001 2/2001
 AT 2821/1998-0001 2/2001
 AT 2822/1998-0001 2/2001
 CN 303237206 6/2015
 DE M8907333-0006 7/1990
 DE M8907333-0007 7/1990
 DE M9606993-0001 1/1997
 DE M9801866-0002 9/1998
 DE M9801866-0003 9/1998
 DE M9801866-0004 9/1998
 DE 49911980-0005 4/2000
 DE 49911980-0006 4/2000
 DE 49911980-0007 4/2000
 DE 49911980-0008 4/2000
 DE 49911980-0009 4/2000
 DE 49911980-0010 4/2000
 DE 40205155-0001 1/2003
 DE 40205155-0003 1/2003
 DE 40205155-0004 1/2003
 DE 40205155-0005 1/2003
 DE 40205155-0006 1/2003
 DE 40300423-0001 7/2003
 DE 40303245-0001 10/2003
 DE 40303245-0002 10/2003
 DE 40303245-0003 10/2003
 DE 40303245-0004 10/2003
 DE 40303245-0005 10/2003
 DE 40303245-0006 10/2003
 DE 40303245-0007 10/2003
 DE 40303245-0008 10/2003
 DE 40303245-0009 10/2003
 DE 40303245-0010 10/2003
 DE 40303245-0011 10/2003
 EP 000281811-0001 4/2005
 EP 000281811-0002 4/2005
 EP 000281811-0003 4/2005
 EP 000287958-0001 4/2005
 EP 000405105-0001 11/2005
 EP 000405105-0002 11/2005
 EP 000405105-0003 11/2005
 EP 000874730-0001 2/2008
 EP 000874730-0002 2/2008
 EP 000874730-0003 2/2008
 EP 000874730-0005 2/2008
 EP 000874730-0007 2/2008
 EP 000874730-0008 2/2008
 EP 000874730-0010 2/2008
 EP 000874730-0011 2/2008
 EP 000874730-0012 2/2008
 EP 000874730-0013 2/2008
 EP 000874730-0014 2/2008
 EP 000874730-0015 2/2008
 EP 000874730-0016 2/2008
 EP 000874730-0017 2/2008
 EP 000874730-0020 2/2008
 EP 000874730-0021 2/2008
 EP 000874730-0022 2/2008
 EP 000874730-0023 2/2008
 EP 000874730-0024 2/2008
 EP 001155691-0002 9/2009
 EP 001155691-0003 9/2009
 EP 001155691-0004 9/2009
 EP 001155691-0012 9/2009
 EP 001155691-0013 9/2009
 EP 001155691-0014 9/2009
 EP 001155691-0015 9/2009
 EP 001155691-0016 9/2009
 EP 001155691-0017 9/2009
 EP 001155691-0018 9/2009
 EP 001155691-0019 9/2009

OTHER PUBLICATIONS

Fissler, Magic Accessories 6-Piece Utensil Set, [online], available on the Internet on or before Jul. 24, 2017, <<https://www.houzz.com/product/35317694-magic-accessories-6-piece-utensil-set-contemporary-cooking-utensils>>.
 KitchenAid Stainless-Steel Tool and Gadget Set, Williams Sonoma California, [online], available on the Internet on or before Jul. 24, 2017, <<https://www.williams-sonoma.com/products/kitchenaid-stainless-steel-tool-and-gadget-set/>>.
 Küchenhelfer-Set line4 (4-teilig),Fackelmann, home 24, [online], available on the Internet on or before Jul. 24, 2017, <<https://www.discounto.de/Angebot/Kuechenhelfer-Set-Line4-4-teilig-Fackelmann-1157945/>>.
 Leifheit Proline Stainless Steel Safety Pro Can Opener 03094, [online], available on the Internet on or before Jul. 24, 2017, <<https://www.ebay.com.au/itm/Leifheit-Proline-Stainless-Steel-Safety-Pro-Can-Opener-03094/282013445090?epid=1970628297&hash=item41a94fabe2:g:Y0AAOSwYudXGa~m>>.
 LIDL, Ernesto Küchenhelfer, [online], available on the Internet on or before Jul. 24, 2017, <<https://www.lidl.de/de/ernesto-kuechenhelfer/p199423>>.
 Rösle Becherbesen 27,0 cm, [online], available on the Internet on or before Jul. 24, 2017, <<https://www.galeria-kaufhof.de/p/roesle-becherbesen-27-0-cm/1000258476?v=1000201517>>.
 Silit Kitchen Tools and Gadgets / eBay, [online], available on the Internet on or before Jul. 24, 2017, <https://www.google.de/search?q=silit+kitchen+gadget&dcr=0&source=lnms&tbn=isch&sa=X&ved=0ahUKEwiyrSV_dbXAhXC2aQKHZT9DzwQ_AUICygC&biw=1680&bih=917#imgrc=sdln2ozg_Ann4M:>>.
 WMF Kitchen gadgets, [online], available on the Internet on or before Jul. 24, 2017, <https://www.google.de/search?q=wmf+kitchen+gadgets&dcr=0&source=lnms&tbn=isch&sa=X&ved=0ahUKEwid4NnE-9bXAhWHKFAKHV-vBRgQ_AUICygC&biw=1680&bih=917#imgrc=L74fYnvD2rCQRM:>>.
 Zwilling J.A.Henckels K, BSF Schneebesens, Gross Amsterdam, [online], available on the Internet on or before Jul. 24, 2017, <<https://de.zwilling-shop.com/Nach-Hersteller/BSF/Kuechenhelfer/Amsterdam/>>>.

* cited by examiner

Primary Examiner — Cynthia M. Chin
 (74) Attorney, Agent, or Firm — Gregory L Mayback

(57)

CLAIM

The ornamental design for a utensil, as shown and described.

DESCRIPTION

FIG. 1 is a perspective view of a utensil showing our new design;

FIG. 2 is a front elevation view thereof; the rear elevation view being a mirror image thereof;

FIG. 3 is a left side elevation view thereof; the right side elevation view being a mirror image thereof;

FIG. 4 is a top plan view thereof;

FIG. 5 is a bottom plan view thereof;

FIG. 6 is an enlarged perspective view of a portion of the utensil of FIG. 1;

FIG. 7 is an enlarged, partial, cross-section view from the top of the utensil of FIG. 3 taken along section line 7-7 of FIG. 3;

FIG. 8 is an enlarged, partial cross-section view from the left of the utensil of FIG. 2 taken along section line 8-8 of FIG. 2;

FIG. 9 is a perspective view of the utensil of FIG. 1, in which a spoon is provided in broken lines to illustrate an example;

FIG. 10 is a perspective view of the utensil of FIG. 1, in which a spatula is provided in broken lines to illustrate an example;

FIG. 11 is a perspective view of the utensil of FIG. 1, in which a wok turner is provided in broken lines to illustrate an example;

FIG. 12 is a perspective view of the utensil of FIG. 1, in which a ladle is provided in broken lines to illustrate an example;

FIG. 13 is a perspective view of the utensil of FIG. 1, in which a skimming ladle is provided in broken lines to illustrate an example;

FIG. 14 is a perspective view of the utensil of FIG. 1, in which a pasta spoon is provided in broken lines to illustrate an example; and,

FIG. 15 is a perspective view of the utensil of FIG. 1, in which a peeler is provided in broken lines to illustrate an example.

The broken lines are for the purpose of illustrating portions of the utensil that form no part of the claim.

All surfaces of the utensil set forth in in FIGS. 1 to 15 have a consistent uniform surface finish.

1 Claim, 7 Drawing Sheets

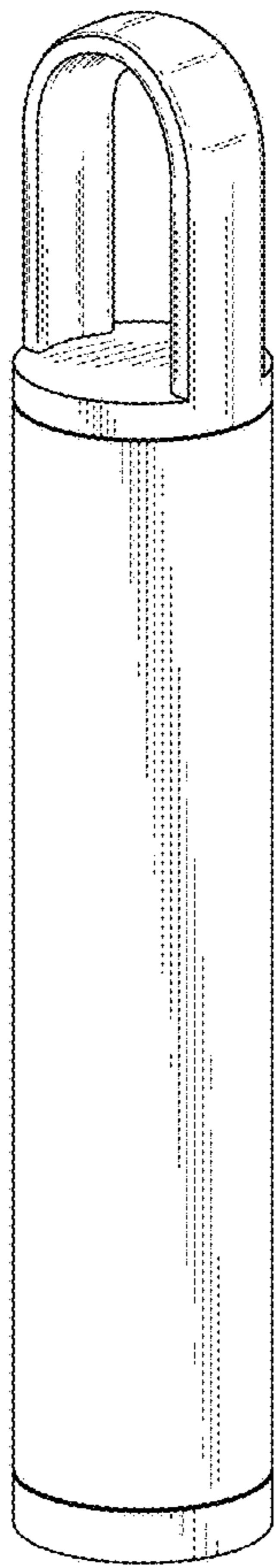


FIG. 1

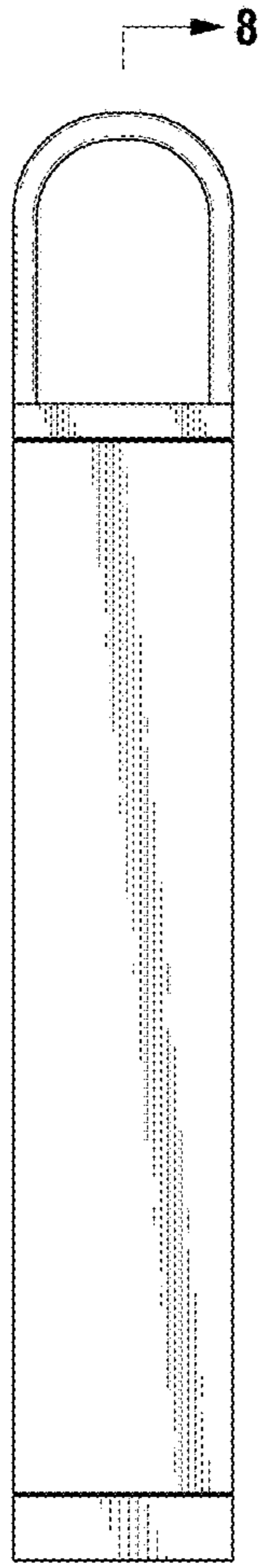


FIG. 2

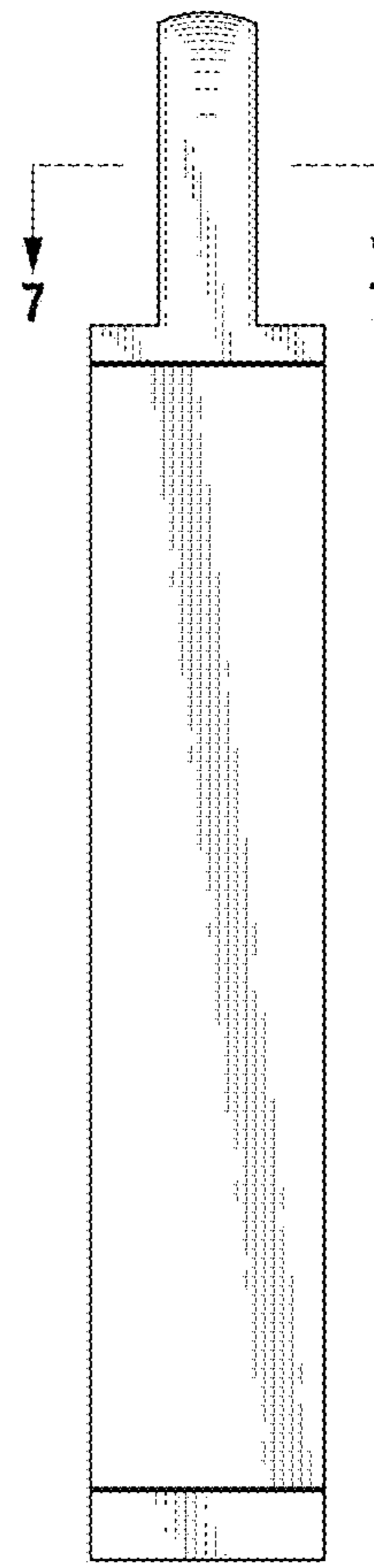


FIG. 3

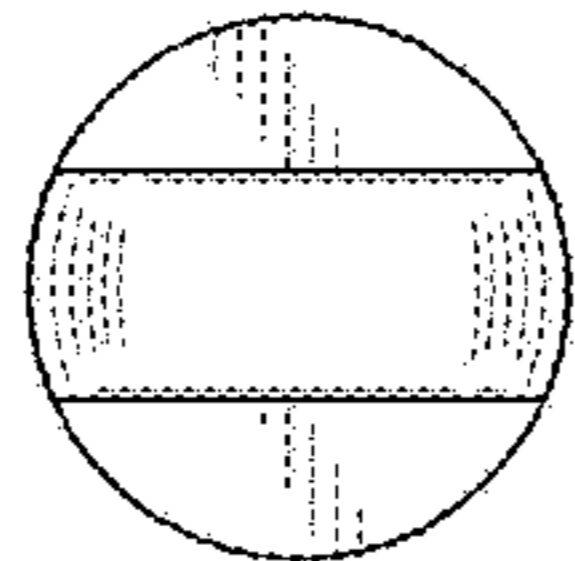


FIG. 4

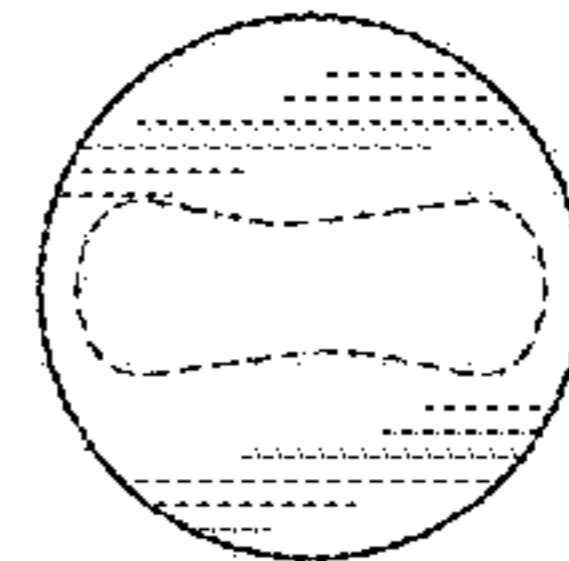


FIG. 5

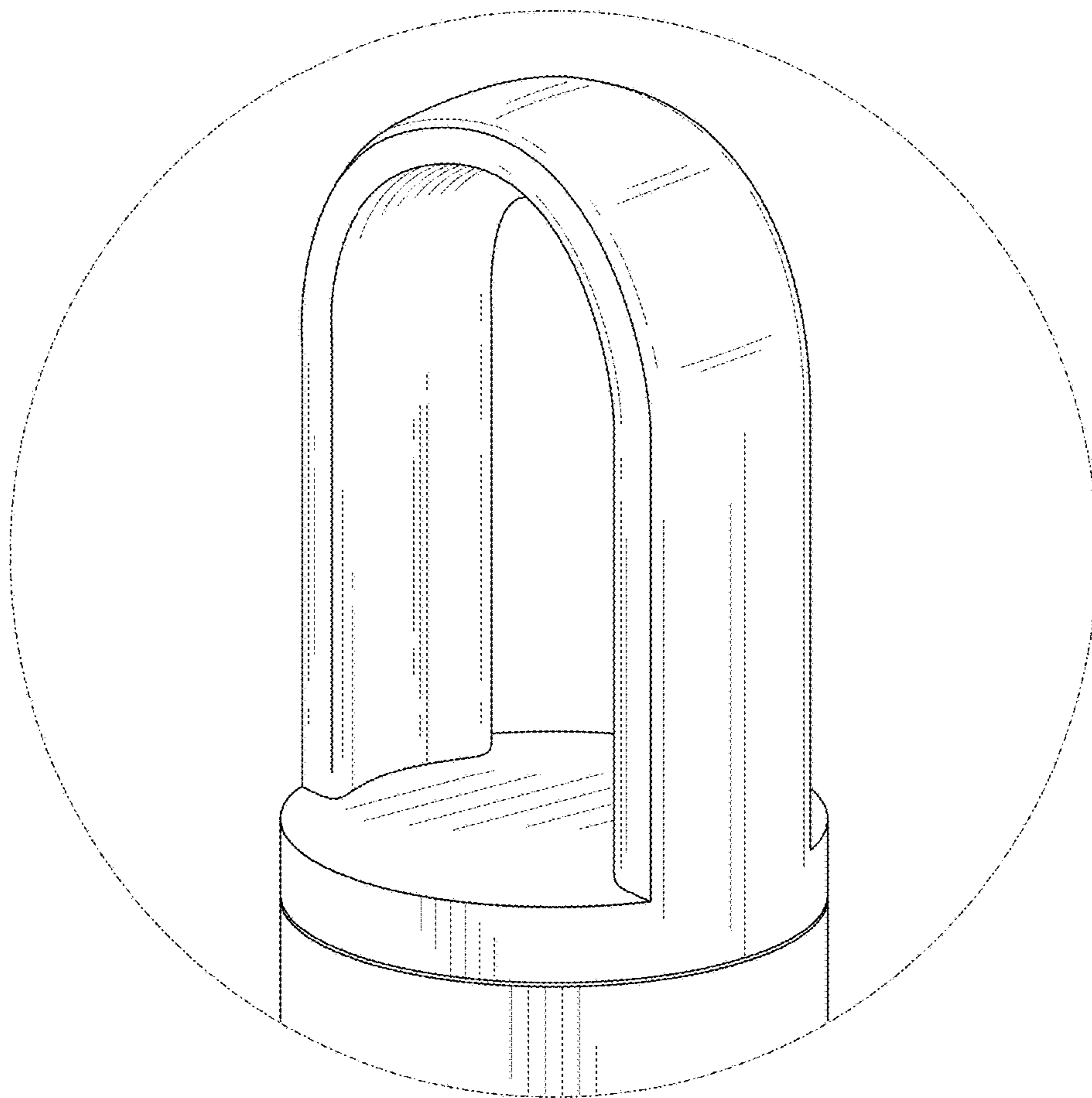


FIG. 6

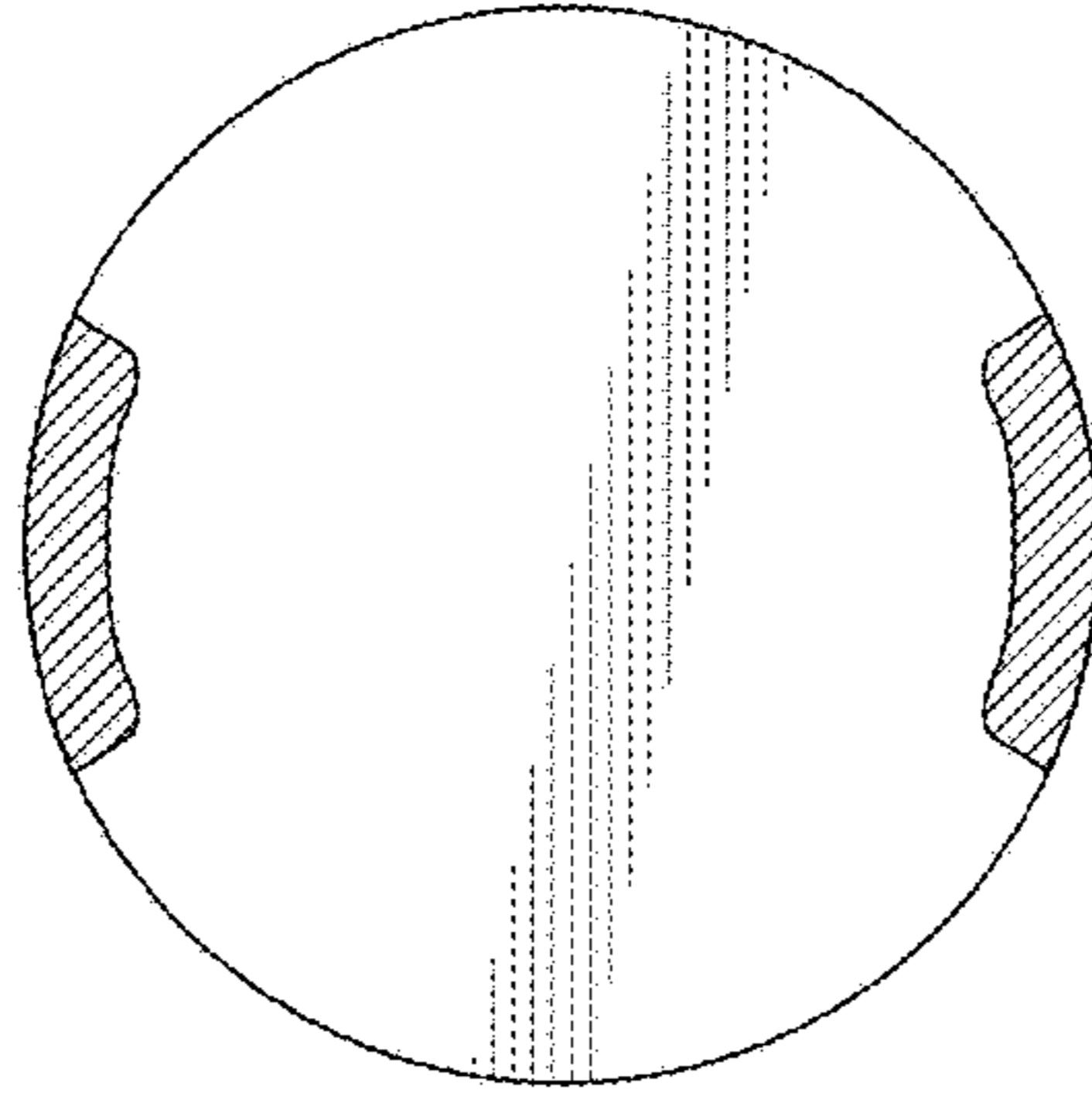


FIG. 7

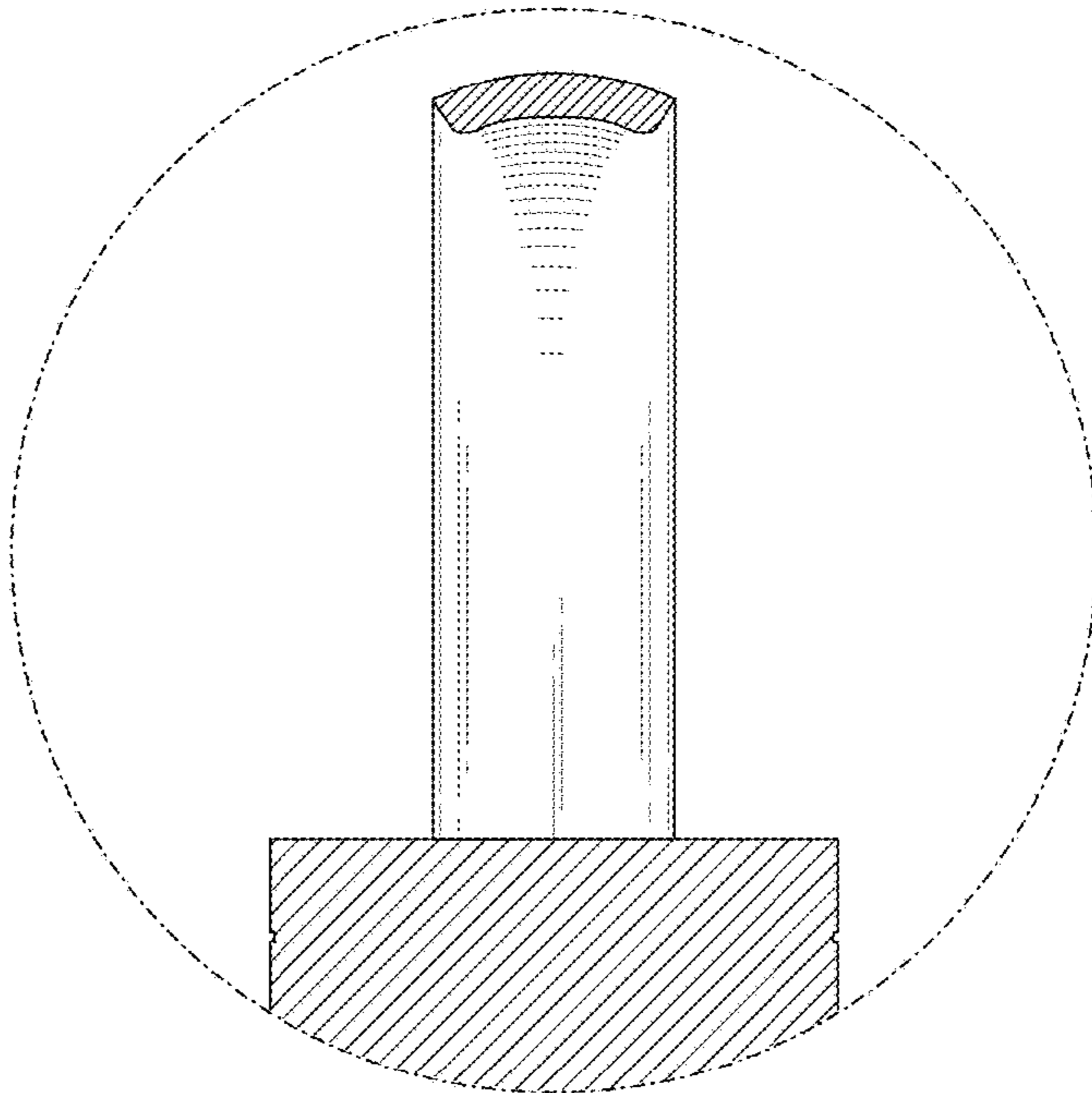


FIG. 8

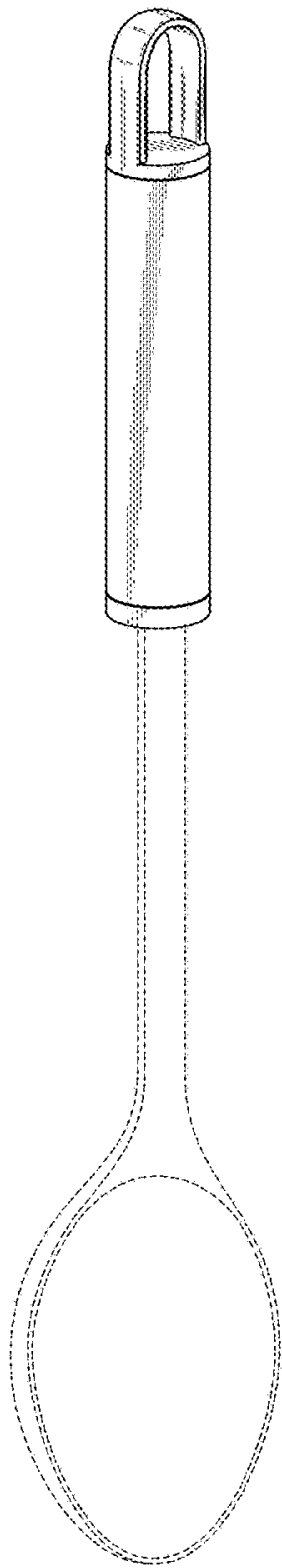


FIG. 9

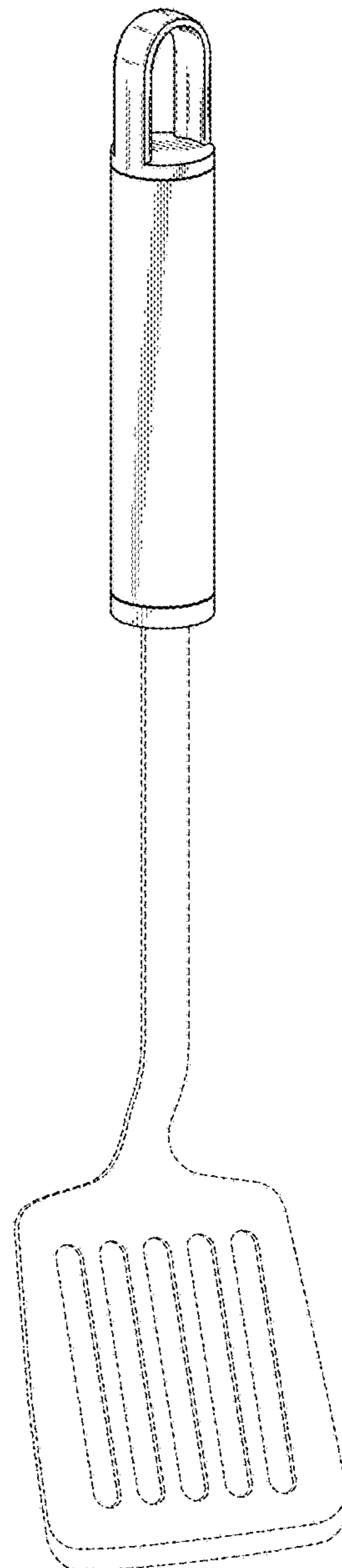


FIG. 10

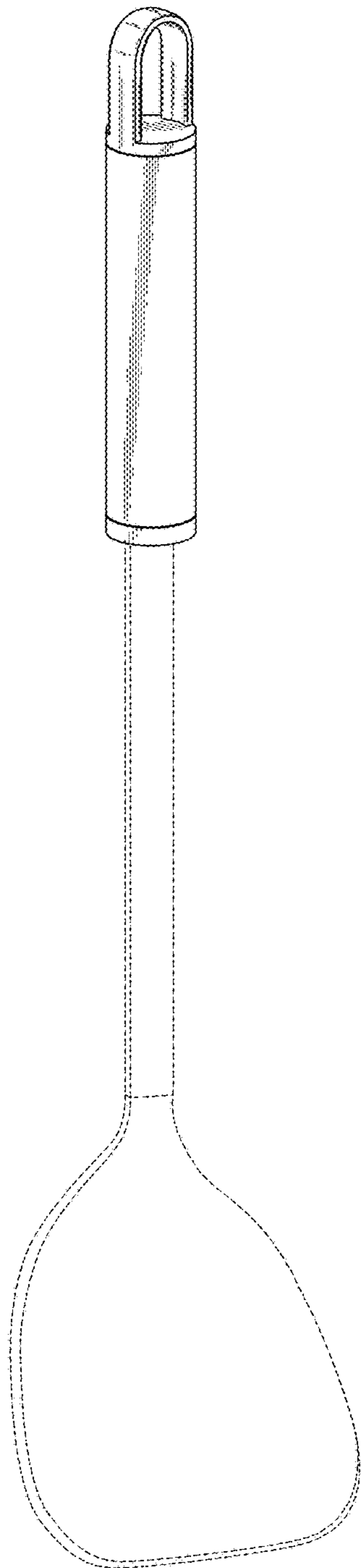


FIG. 11

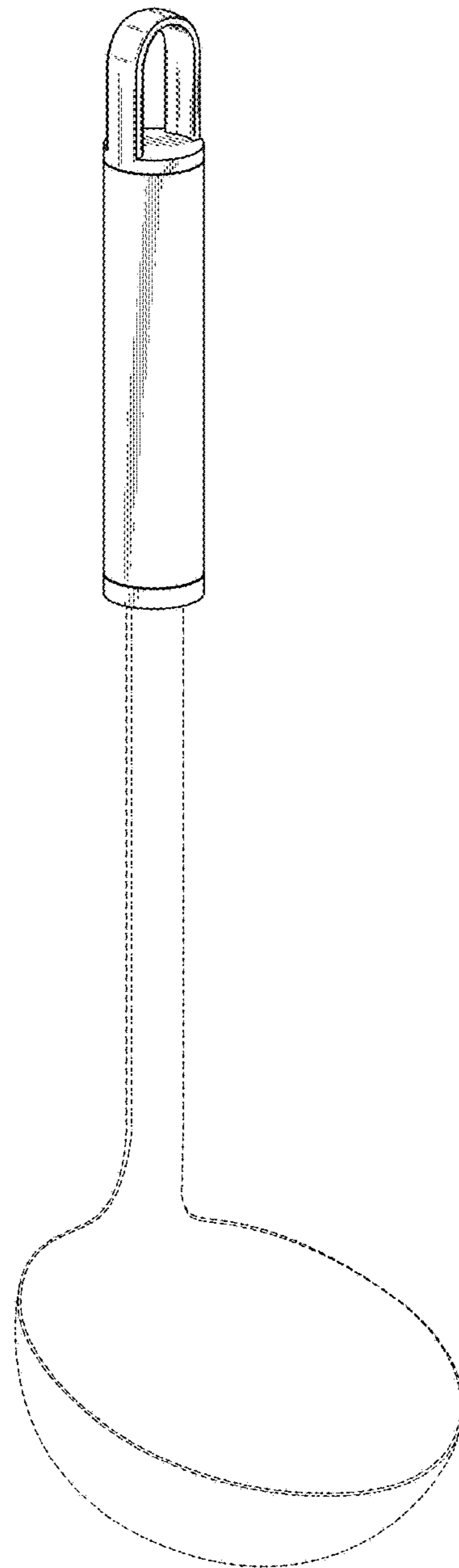


FIG. 12

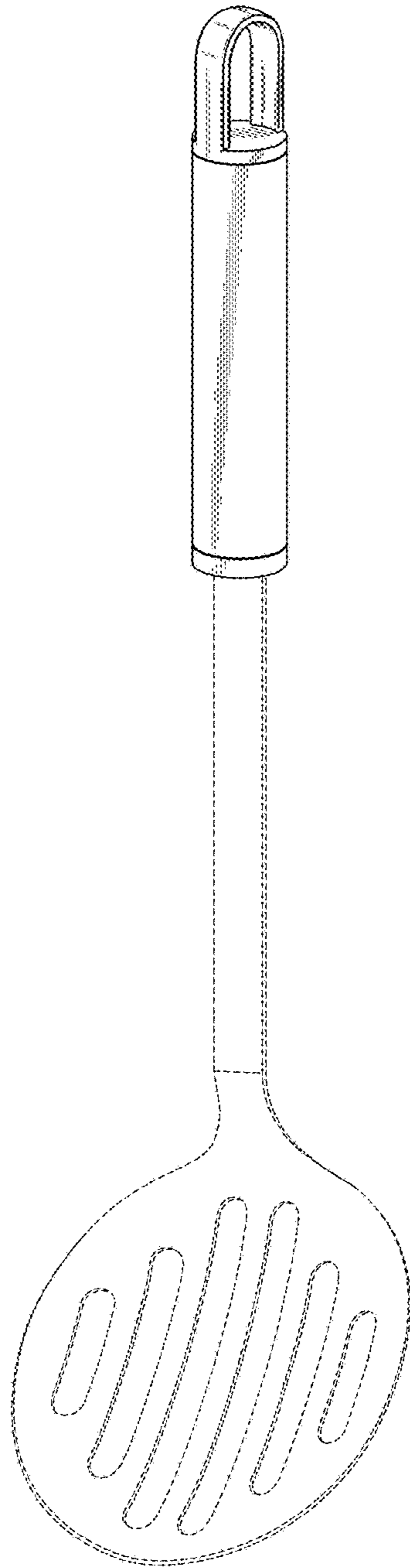


FIG. 13

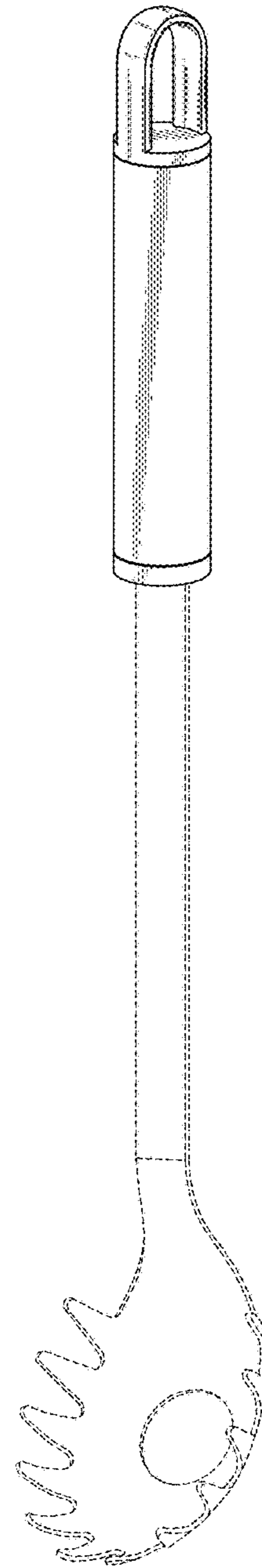


FIG. 14

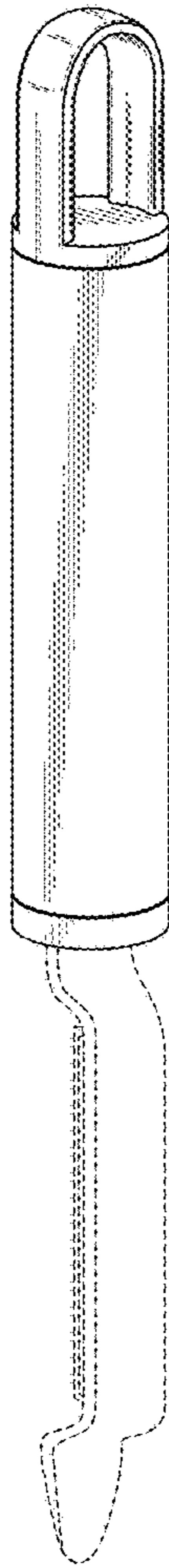


FIG. 15