



US00D858180S

(12) **United States Design Patent** (10) **Patent No.:** **US D858,180 S**
Liu (45) **Date of Patent:** **** Sep. 3, 2019**

(54) **LID FOR A POT**

(71) Applicant: **Free-Free Industrial Corp.**, Taipei (TW)

(72) Inventor: **Sheng-Yu Liu**, Taipei (TW)

(73) Assignee: **FREE-FREE INDUSTRIAL CORP.**, Taipei (TW)

(**) Term: **15 Years**

(21) Appl. No.: **29/610,586**

(22) Filed: **Jul. 13, 2017**

(51) **LOC (12) Cl.** **07-99**

(52) **U.S. Cl.**
USPC **D7/392; D7/392.1**

(58) **Field of Classification Search**
USPC D7/391, 392, 392.1; D9/452
CPC ... A47G 19/2205; A47G 19/2222; A45F 3/16;
A45F 3/20; B67D 7/06; B67D 7/0004;
B65D 25/14; B65D 47/065; B65D
47/066; B65D 2543/00101; B65D
2543/00027

See application file for complete search history.

(56) **References Cited**

U.S. PATENT DOCUMENTS

D31,464 S *	8/1899	Hinoult	D7/391
D54,745 S *	3/1920	Humphrey	D8/DIG. 2
D172,854 S *	8/1954	Waldo	D7/392.1
D411,409 S *	6/1999	Wallays	D7/391
D433,597 S *	11/2000	Fradkin	D7/392.1
D451,338 S *	12/2001	Fradkin	D7/392.1
D457,382 S *	5/2002	Coudurier	D7/391
D513,462 S *	1/2006	VanGilder	D7/391
D627,192 S *	11/2010	Gilbert	D7/392.1
D658,935 S *	5/2012	Luppino	D7/392
D691,847 S *	10/2013	Beckman	D7/392.1
D735,033 S *	7/2015	Lynd	D9/435
D751,399 S *	3/2016	Lynd	D9/454

D773,296 S *	12/2016	Lynd	D9/439
D776,295 S *	1/2017	Wainwright	D24/224
D795,637 S *	8/2017	Stamper	D7/392.1
D801,176 S *	10/2017	Lynd	D9/454
D809,385 S *	2/2018	Brinkworth	D9/445
D820,086 S *	6/2018	Lynd	D9/454
D833,210 S *	11/2018	Hill	A47G 19/22 D7/391
D835,454 S *	12/2018	Coakley	D7/391
D836,436 S *	12/2018	Engel	D9/452
D836,438 S *	12/2018	Engel	D9/452

FOREIGN PATENT DOCUMENTS

CN 304497078 * 2/2018

* cited by examiner

Primary Examiner — Karen S Acker

Assistant Examiner — Steven B Reinholdt, Jr.

(74) *Attorney, Agent, or Firm* — DLA Piper LLP (US)

(57) **CLAIM**

The ornamental design for a lid for a pot, as shown and described.

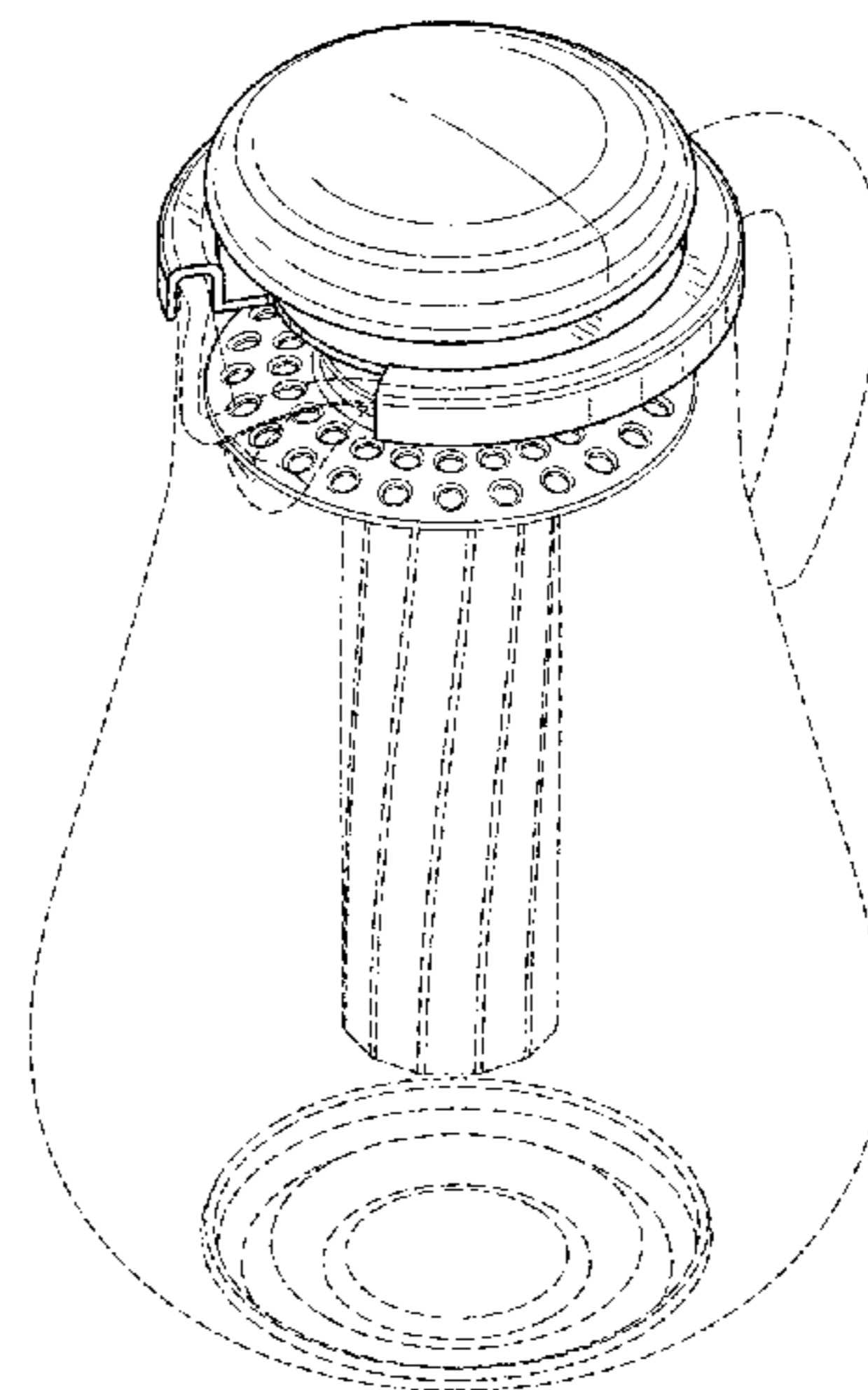
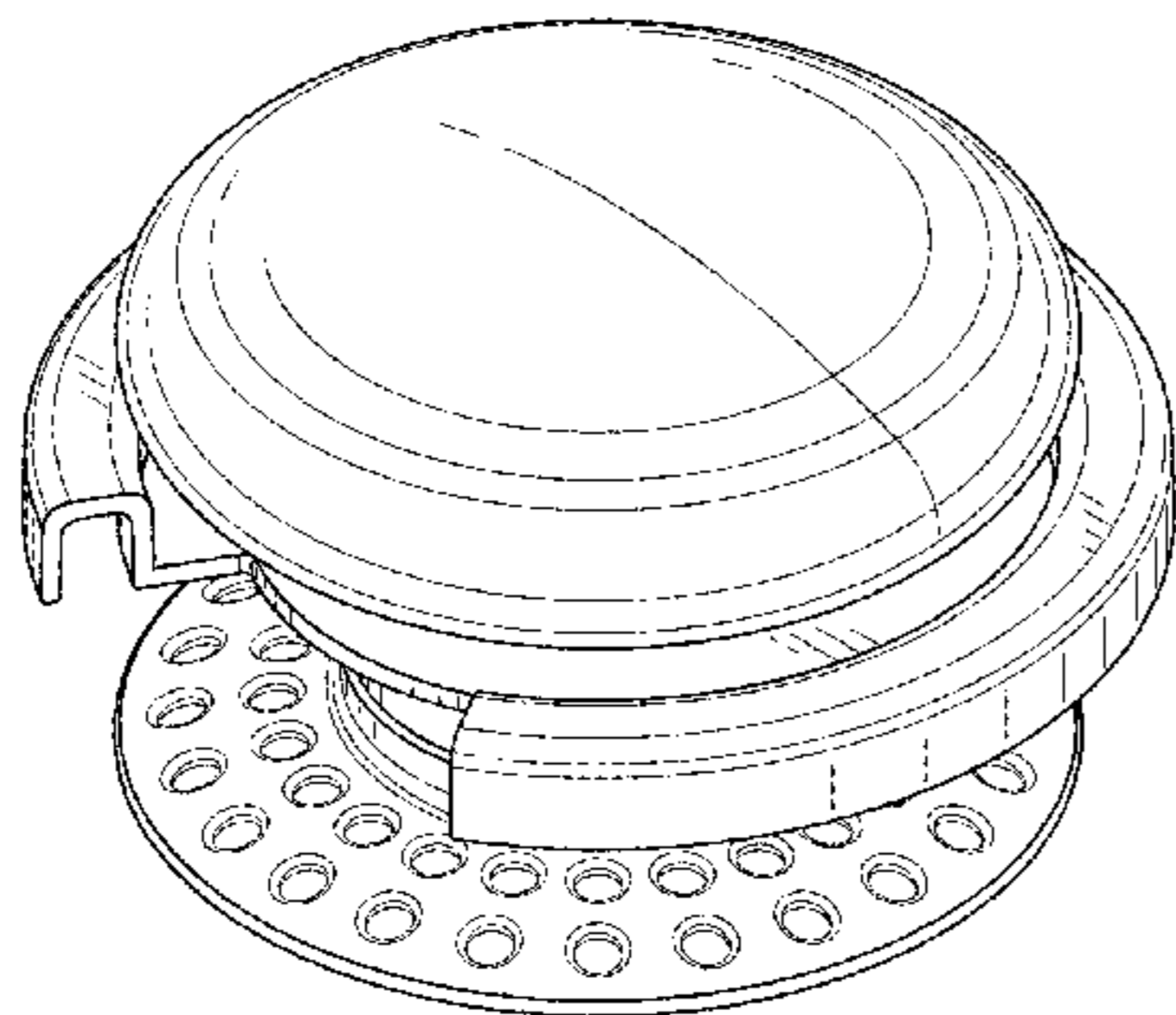
DESCRIPTION

FIG. 1 is a perspective view of a lid for a pot showing my new design;
FIG. 2 is a front elevational view thereof;
FIG. 3 is a rear elevational view thereof;
FIG. 4 is a left side elevational view thereof;
FIG. 5 is a right side elevational view thereof;
FIG. 6 is a top plan view thereof;
FIG. 7 is a bottom plan view thereof; and,
FIG. 8 is a perspective view thereof in a state of use with environment.

The broken lines depict portions of a lid for a pot that form no part of the claimed design.

The broken lines in FIG. 8 illustrate environment that forms no part of the claimed design.

1 Claim, 6 Drawing Sheets



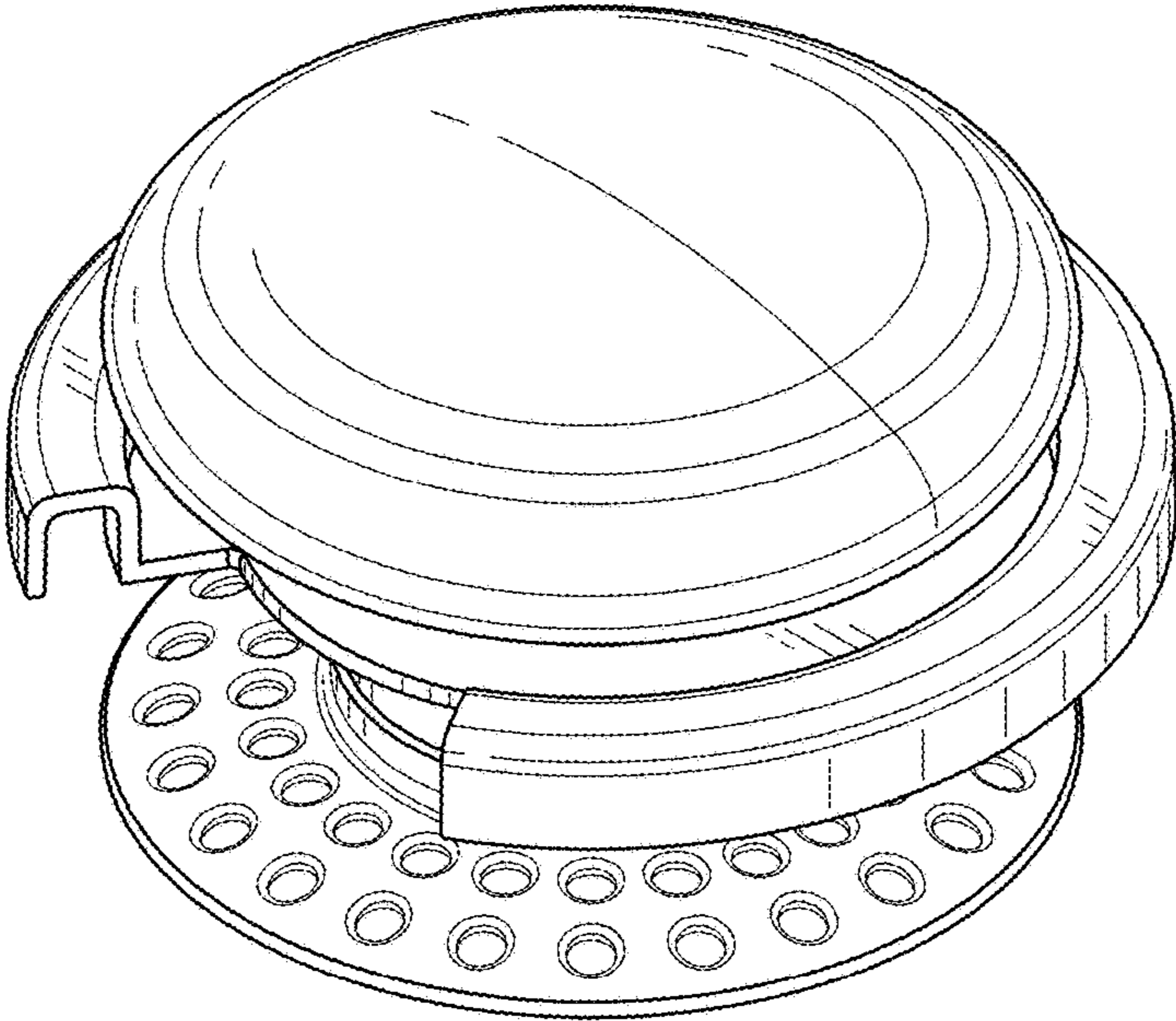


FIG.1

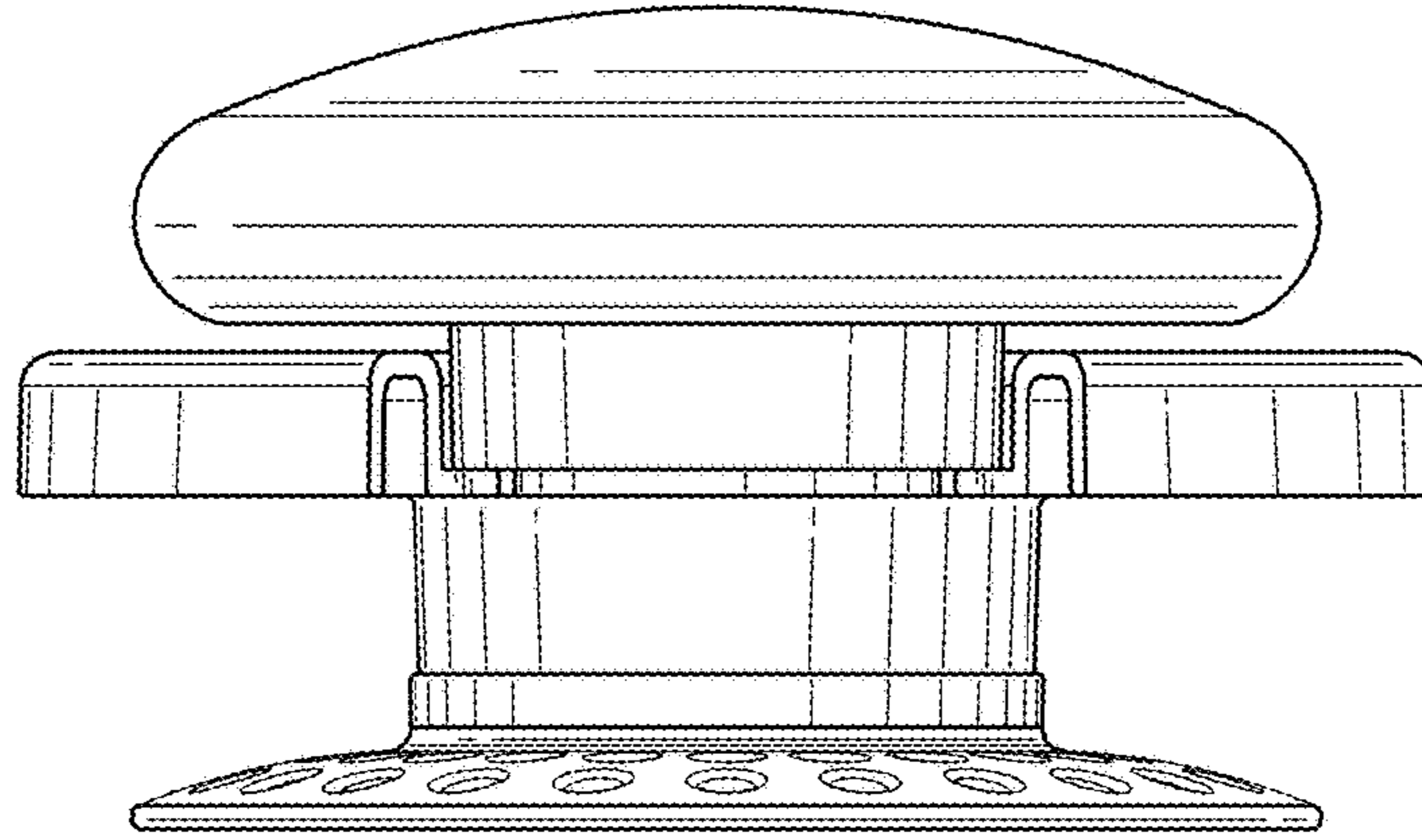


FIG. 2

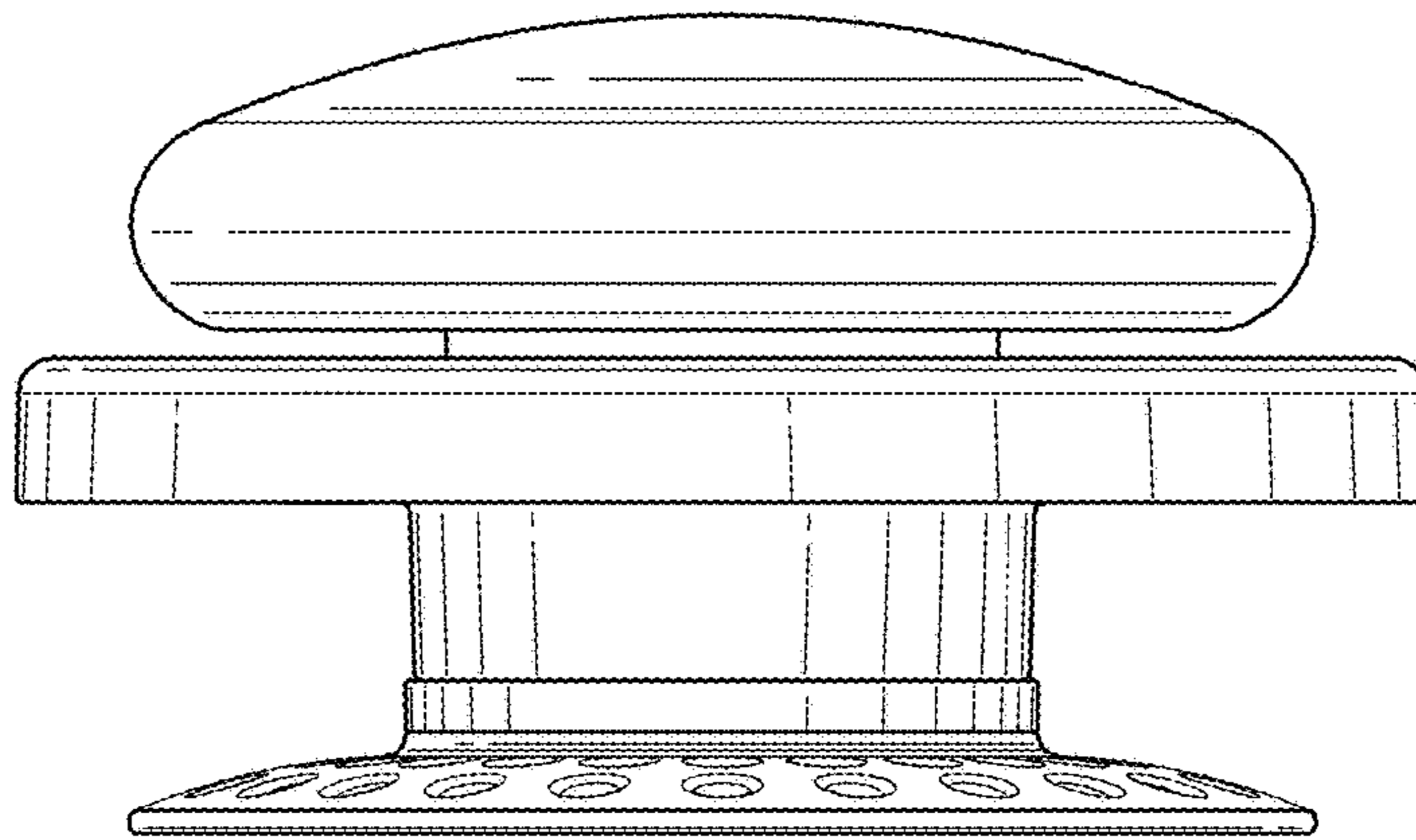


FIG. 3

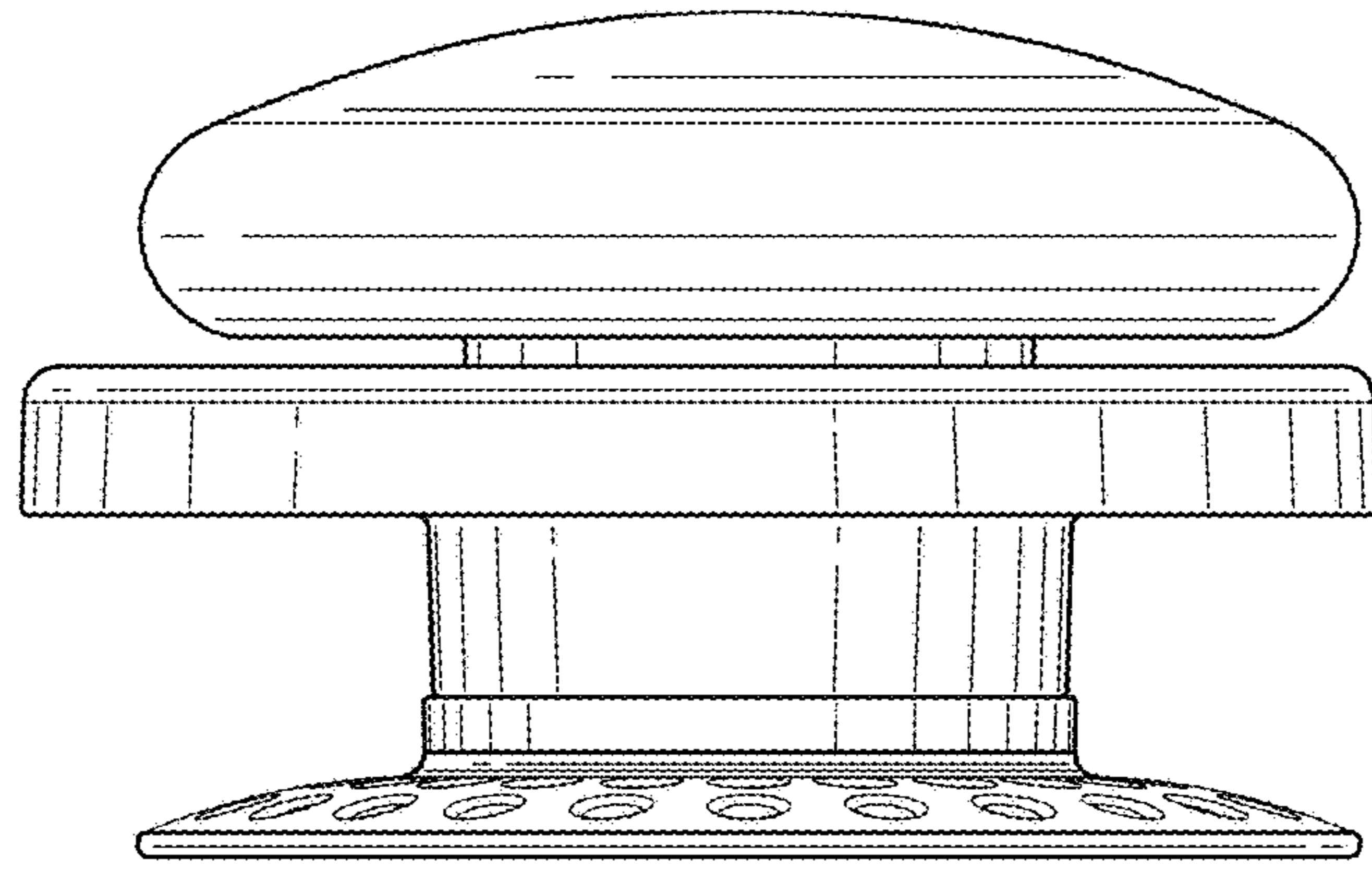


FIG. 4

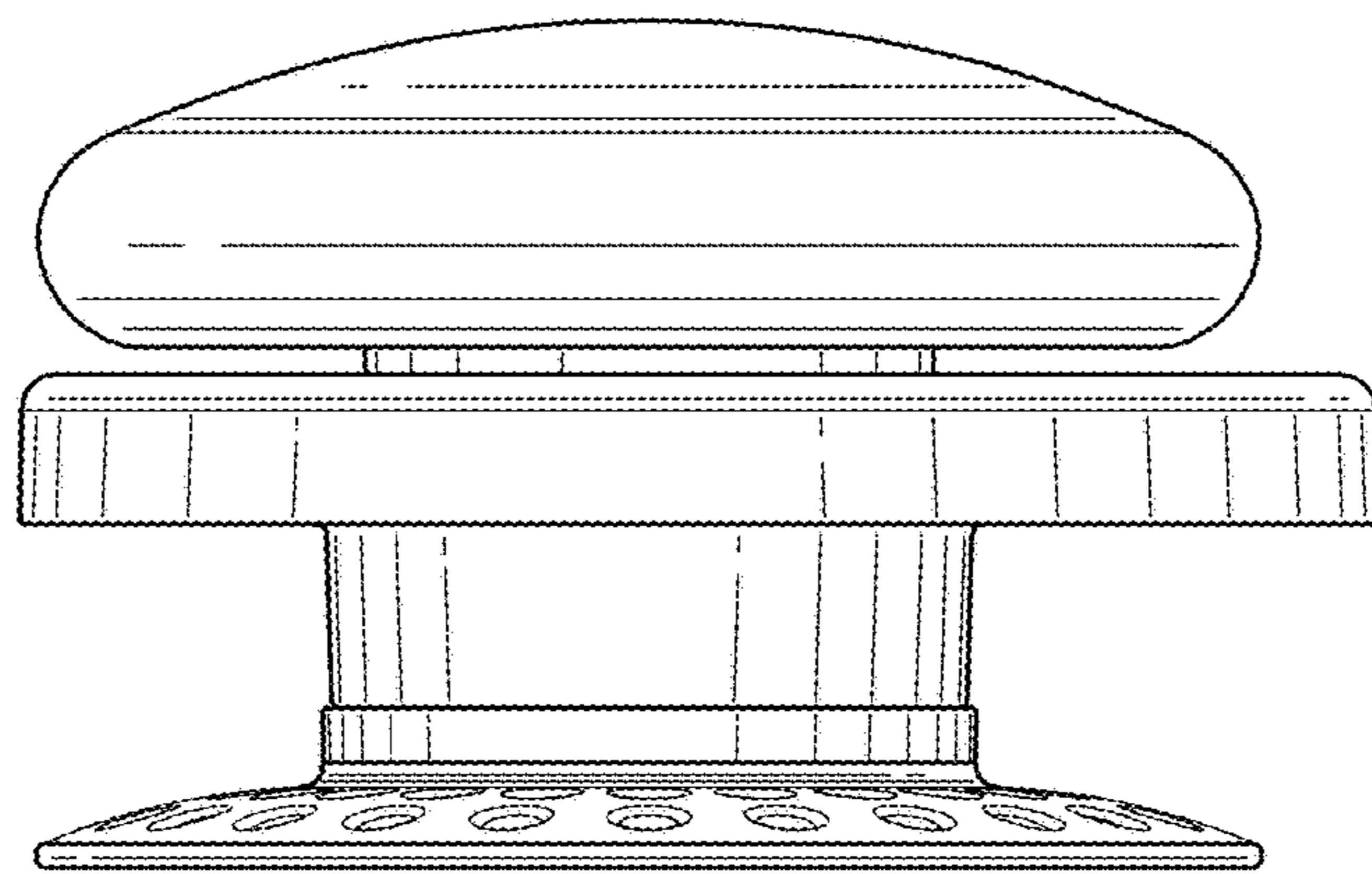


FIG. 5

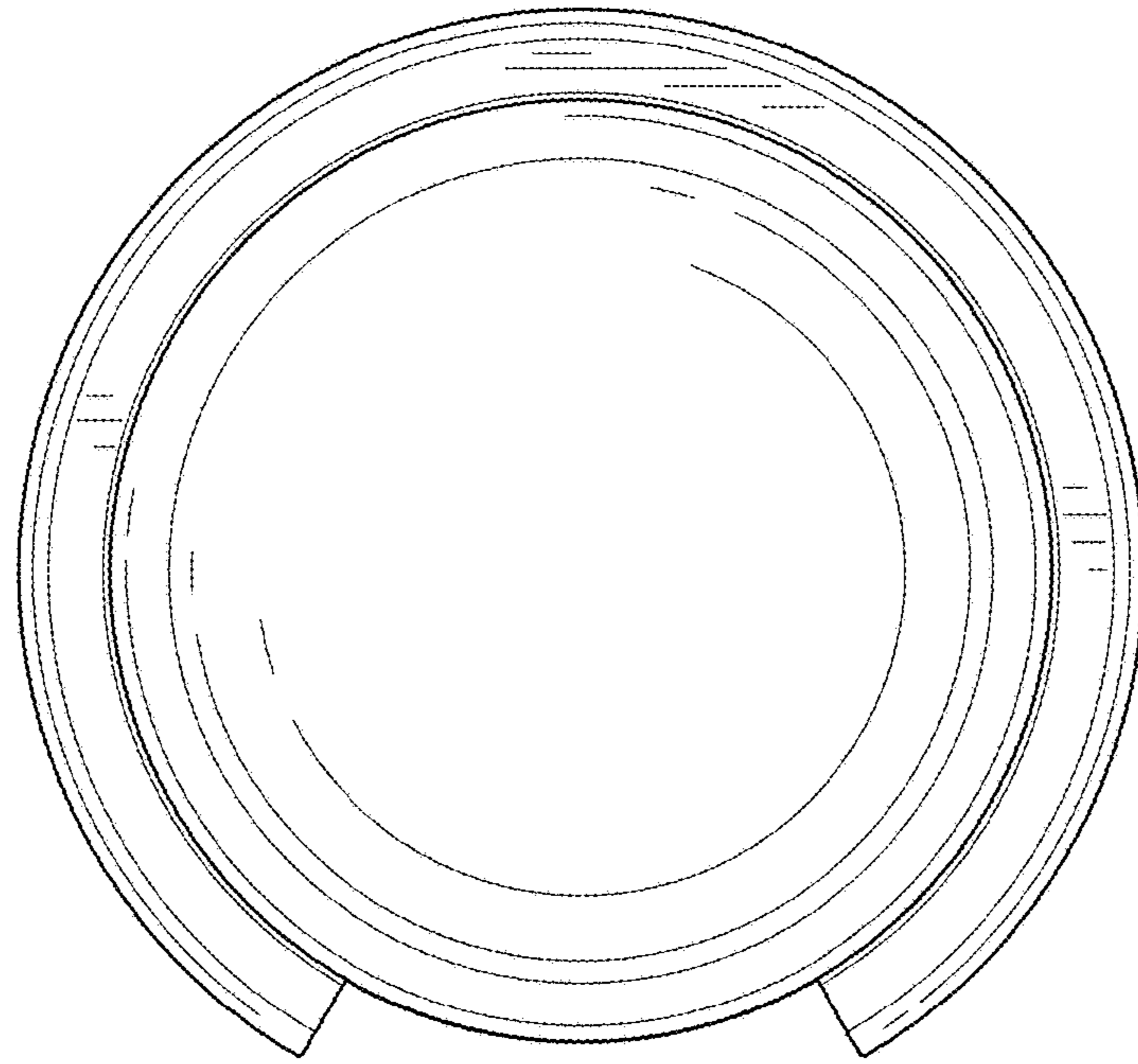


FIG.6

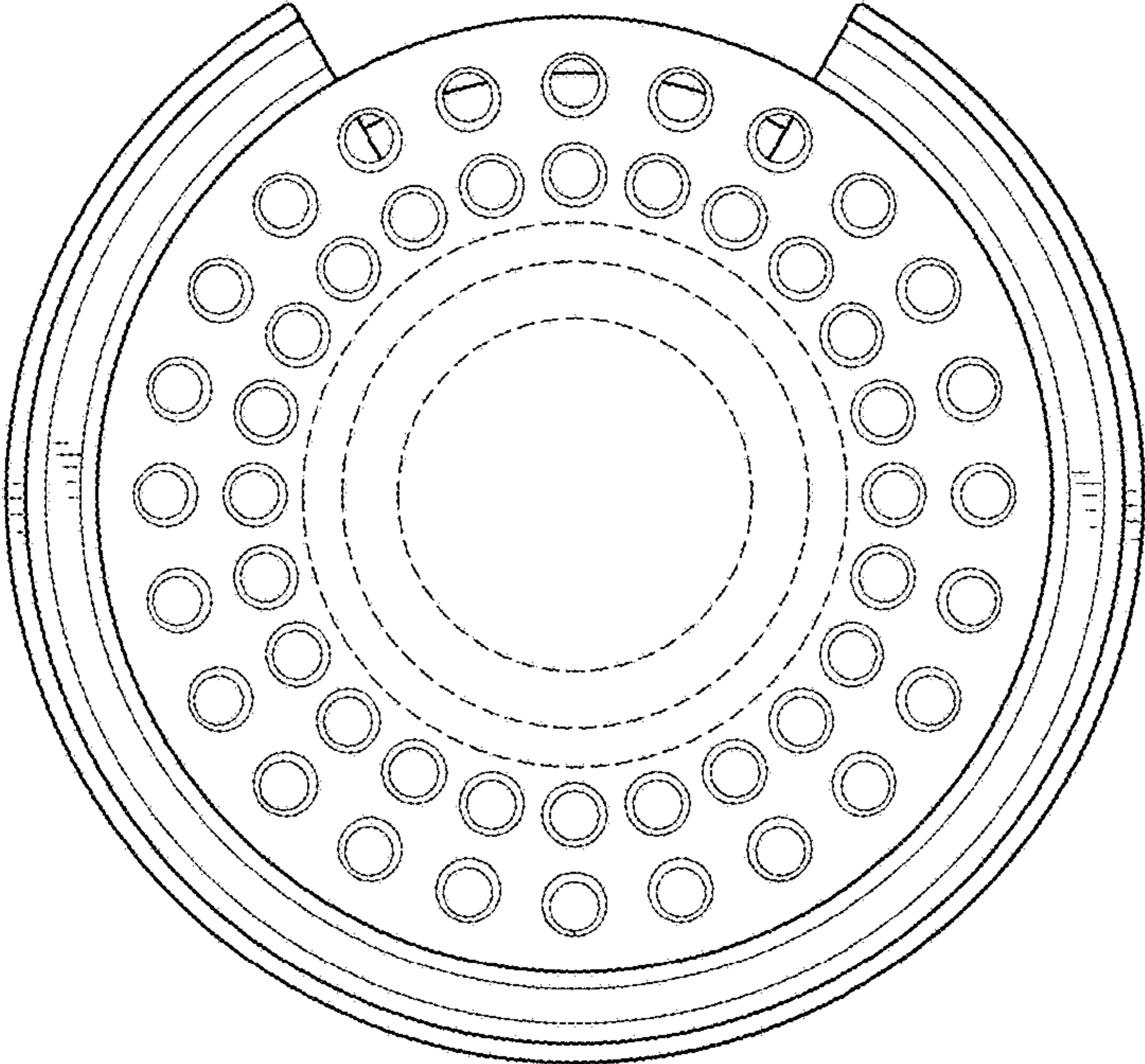


FIG.7

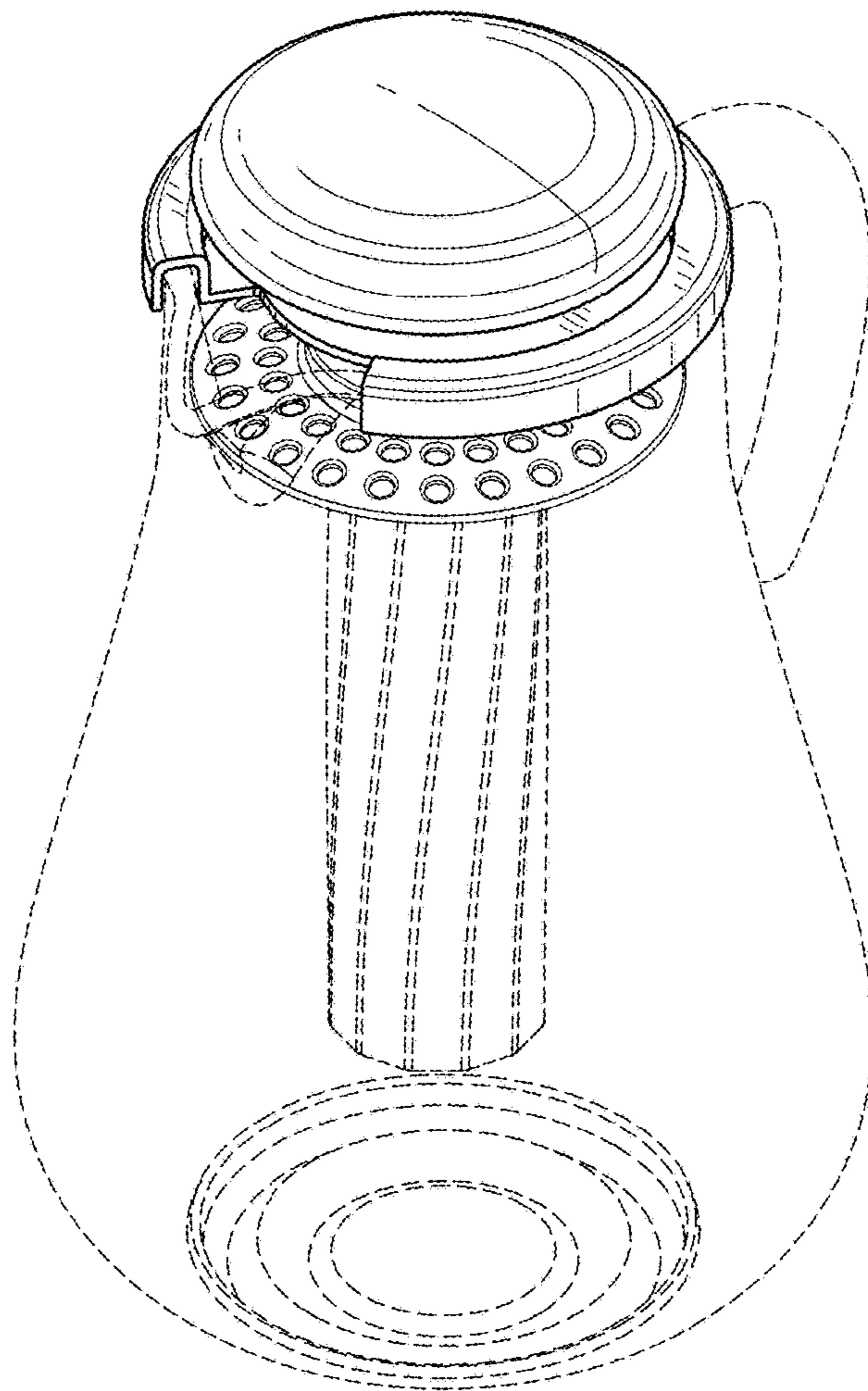


FIG.8