



US00D858179S

(12) **United States Design Patent** (10) **Patent No.:** **US D858,179 S**
Gee, II et al. (45) **Date of Patent:** **** Sep. 3, 2019**

(54) **BLENDER BASE**

(71) Applicant: **Vita-Mix Management Corporation**,
Olmsted Township, OH (US)

(72) Inventors: **Jack W. Gee, II**, Willoughby, OH (US);
Robin Shorr, Olmsted Township, OH
(US); **Phonesacksith Guy Kettavong**,
Medina, OH (US)

(73) Assignee: **Vita-Mix Management Corporation**,
Olmsted Township, OH (US)

(**) Term: **15 Years**

(21) Appl. No.: **29/667,989**

(22) Filed: **Oct. 26, 2018**

Related U.S. Application Data

(62) Division of application No. 29/604,723, filed on May
19, 2017, now Pat. No. Des. 832,029.

(51) **LOC (12) Cl.** **31-00**

(52) **U.S. Cl.**
USPC **D7/386**; D7/376; D7/378; D7/412

(58) **Field of Classification Search**
USPC D7/372, 376–386, 412–413, 602, 629,
D7/665–666, 669, 679, 693–694
CPC A21C 1/02; A21C 1/04; A23N 1/00; A23N
1/02; A47J 43/04; A47J 43/25; A47J
43/27; A47J 43/042; A47J 43/044; A47J
43/046; A47J 43/07; A47J 43/075; A47J
43/0716; A47J 43/0722; A47J 43/0727;
B01F 3/00; B01F 3/0807; B01F 3/0853;
B01F 13/0059; B01F 13/0064; B01F
7/162; B02C 1/08; B02C 2/04; B02C
4/42; B02C 4/142; B02C 4/143; B02C
4/423; B02C 13/1835; B28C 5/10; B28C
5/12; B28C 5/14; B28C 5/16

See application file for complete search history.

(56) **References Cited**

U.S. PATENT DOCUMENTS

D642,857	S	*	8/2011	Bodum	D7/376
D711,688	S	*	8/2014	Prats	D7/378
D766,649	S	*	9/2016	Suzuki	D7/376
D771,999	S	*	11/2016	Kettavong	D7/376
D783,341	S	*	4/2017	Palermo	D7/376
D786,615	S	*	5/2017	Tsai	D7/376
D794,384	S	*	8/2017	Lee	D7/376
9,855,535	B2	*	1/2018	Arnett	B01F 7/162
D817,082	S	*	5/2018	Lee	D7/386
D821,806	S	*	7/2018	Coakley	D7/386
D830,115	S	*	10/2018	Gee, II	D7/386
D832,029	S	*	10/2018	Gee, II	D7/386
D842,644	S	*	3/2019	Kettavong	B01F 7/162 D7/378

* cited by examiner

Primary Examiner — Ricky Pham

(74) *Attorney, Agent, or Firm* — McDonald Hopkins LLC

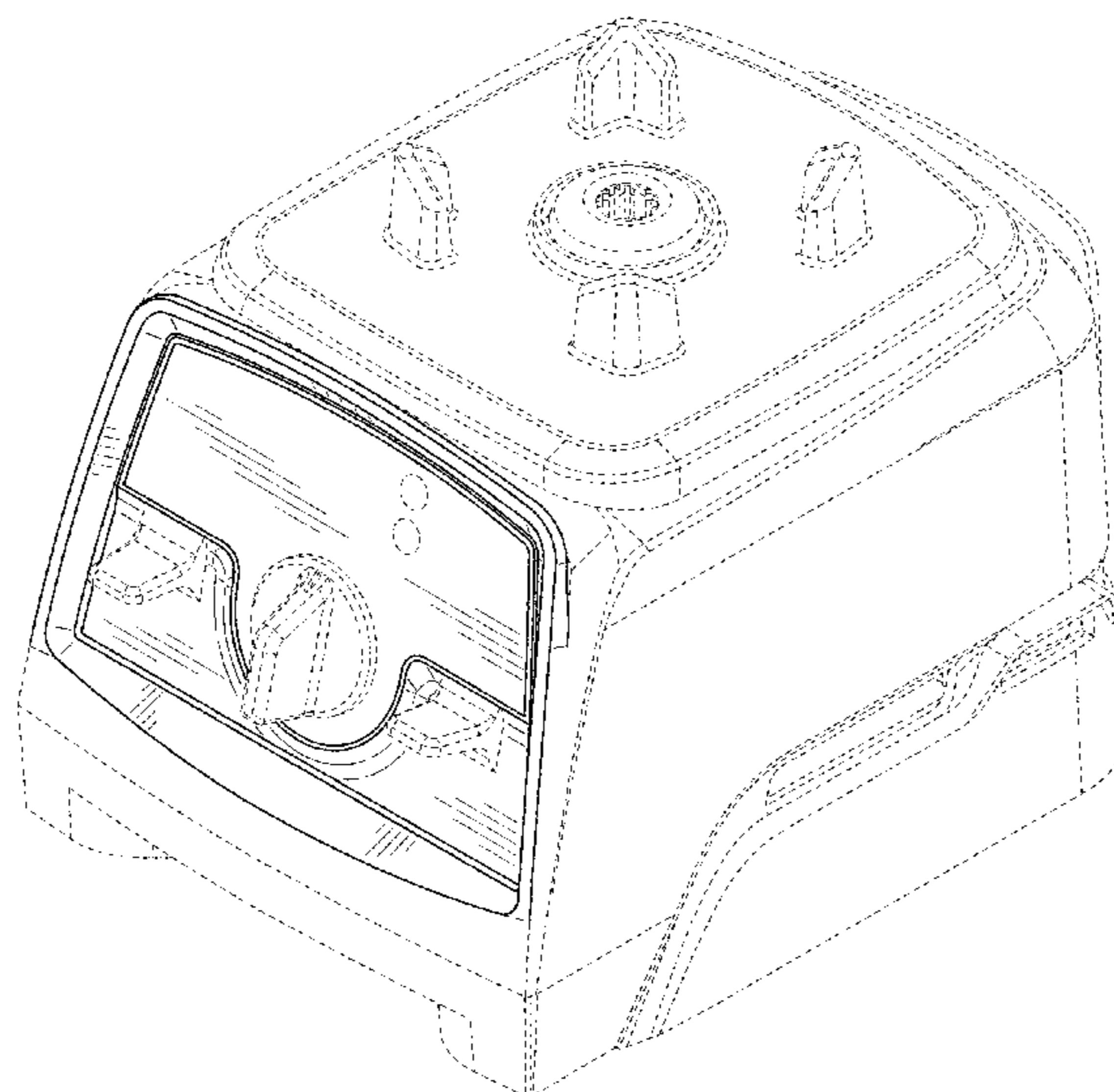
(57) **CLAIM**

The ornamental design for a blender base, as shown and
described.

DESCRIPTION

FIG. 1 is a perspective view of a blender base showing our
new design;
FIG. 2 is a front view thereof;
FIG. 3 is a back view thereof;
FIG. 4 is a first side view thereof;
FIG. 5 is a second side view thereof;
FIG. 6 is a top view thereof; and,
FIG. 7 is a bottom view thereof.
The broken lines in the figures are included for the purpose
of illustrating portions of a blender base and form no part of
the claimed design.

1 Claim, 7 Drawing Sheets



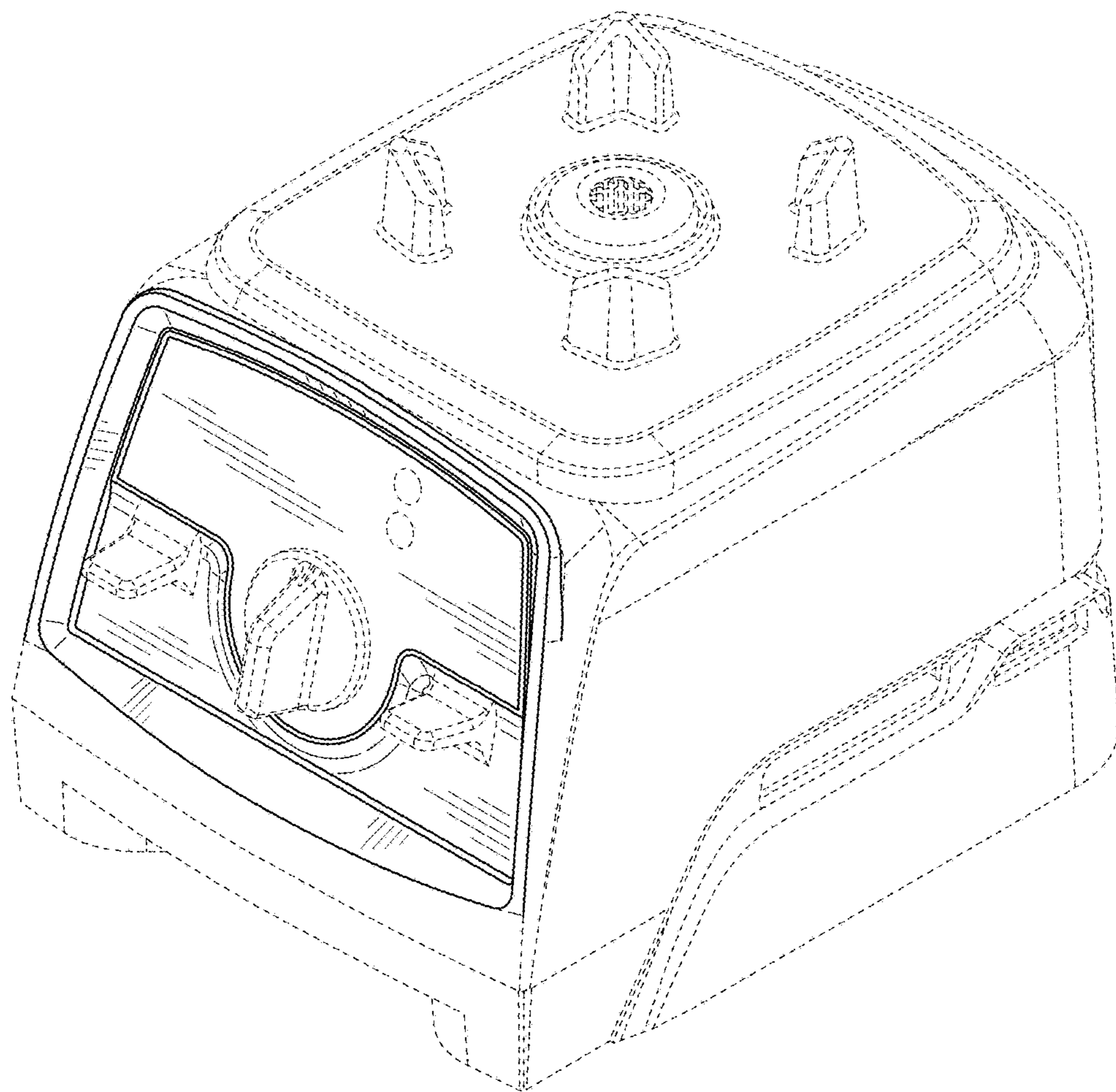


FIG. 1

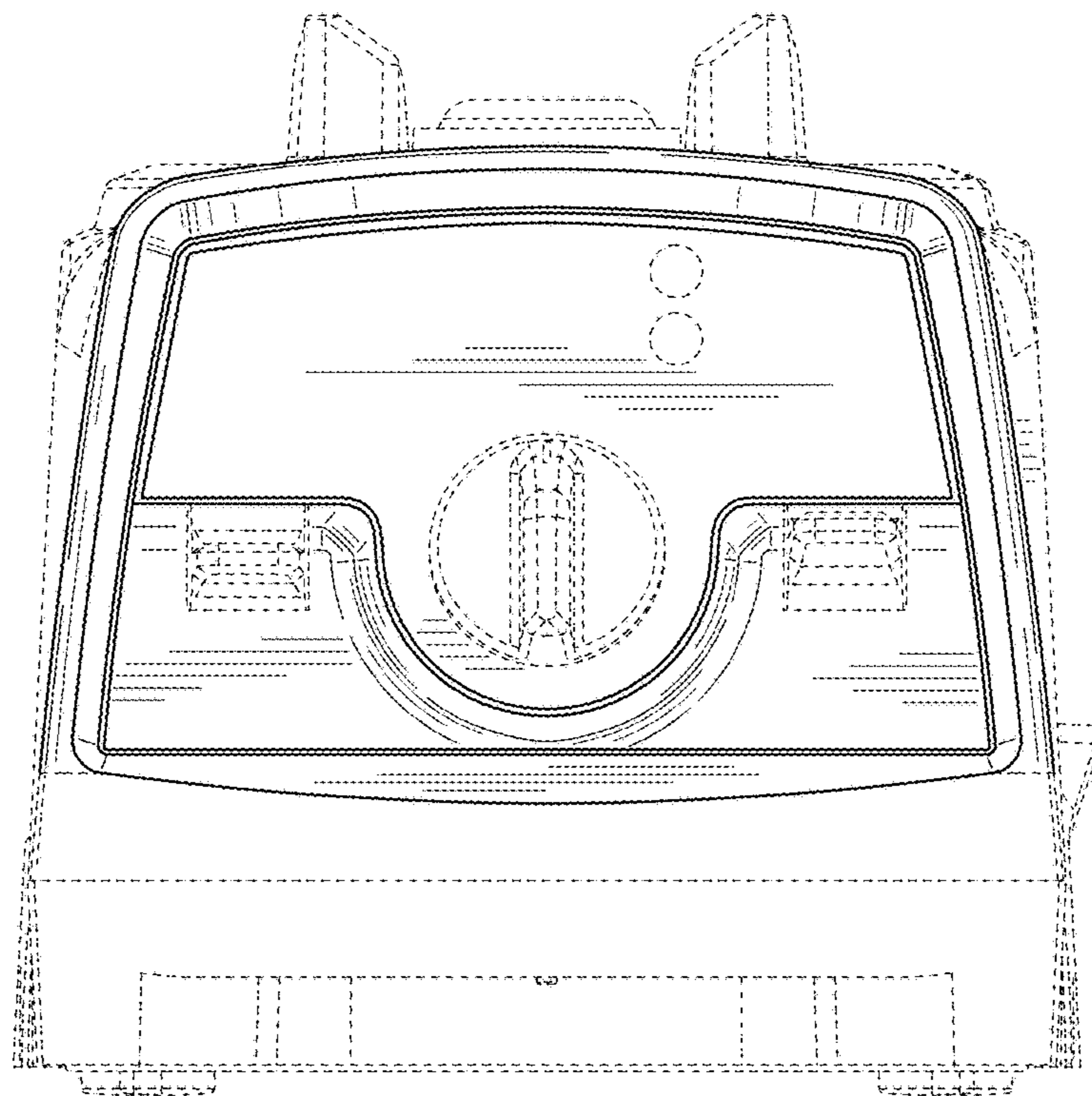


FIG. 2

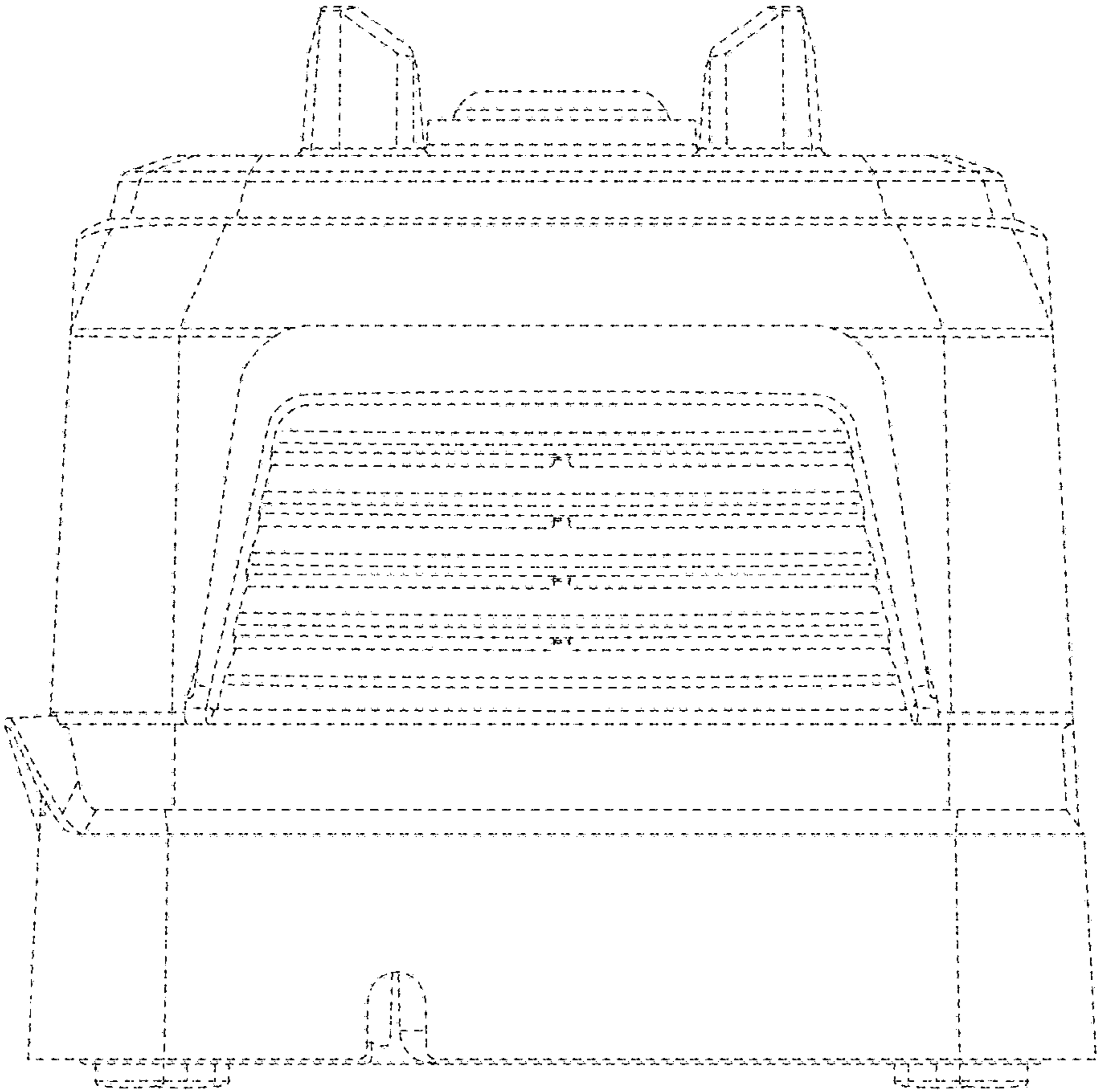


FIG. 3

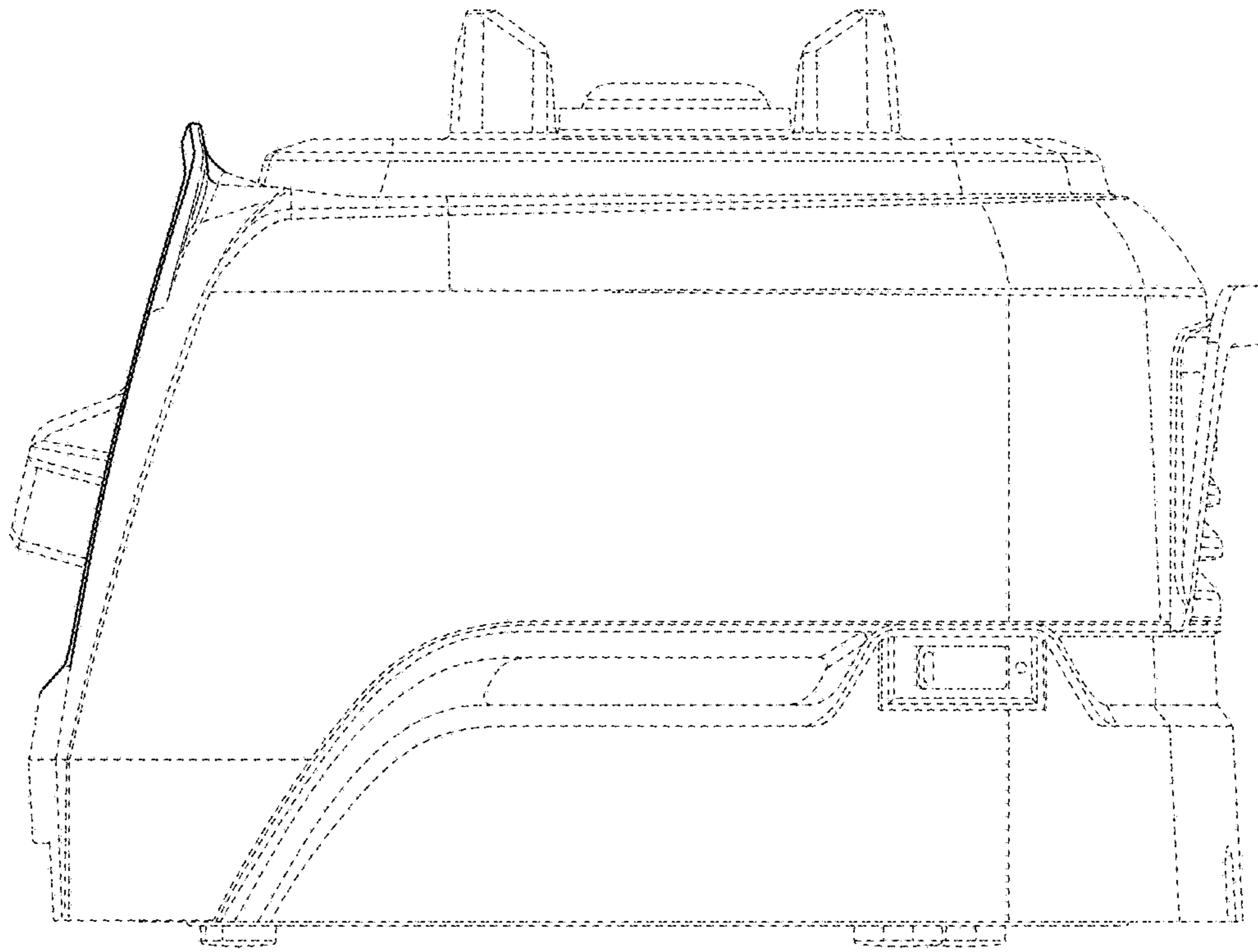


FIG. 4

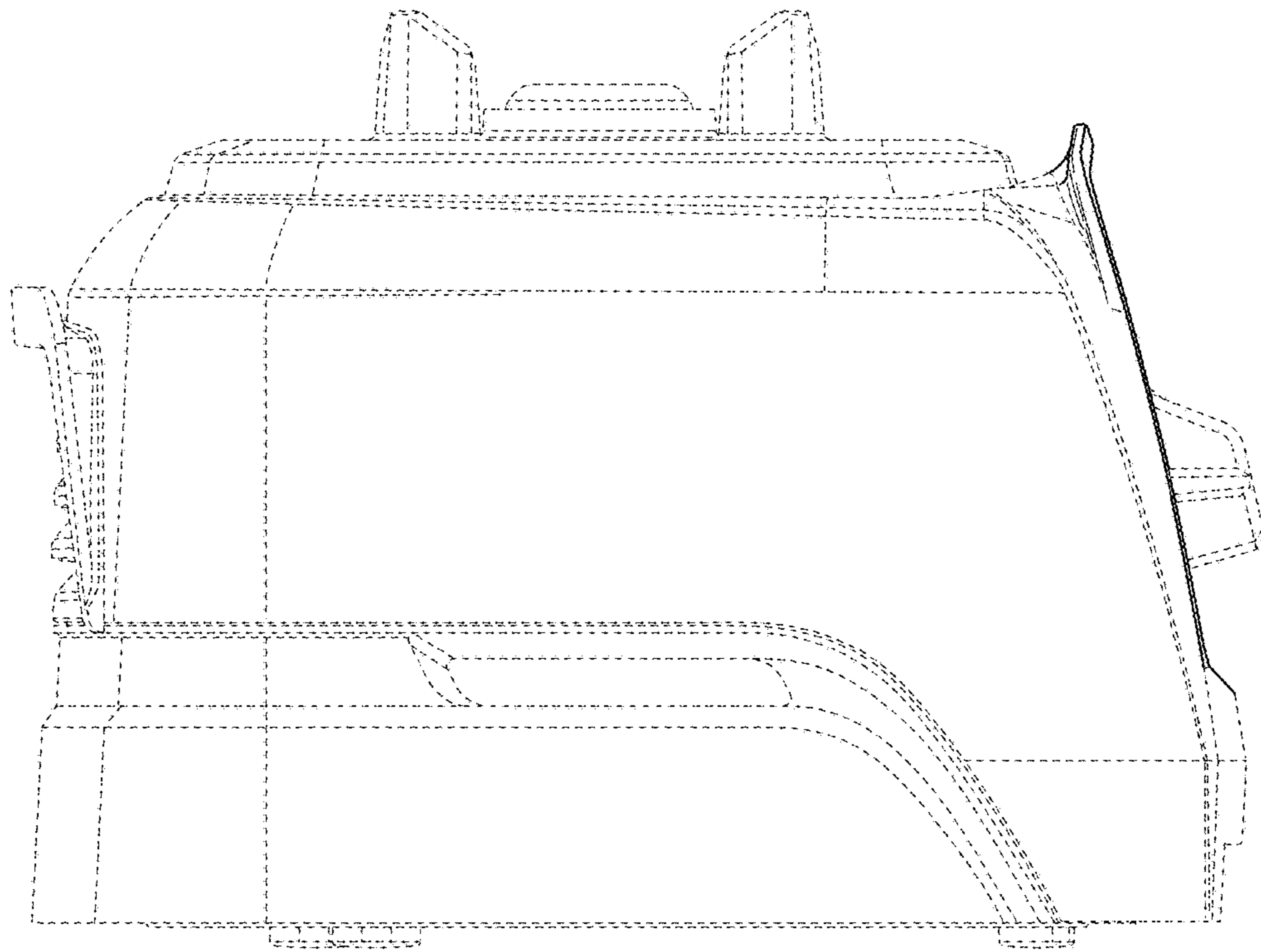


FIG. 5

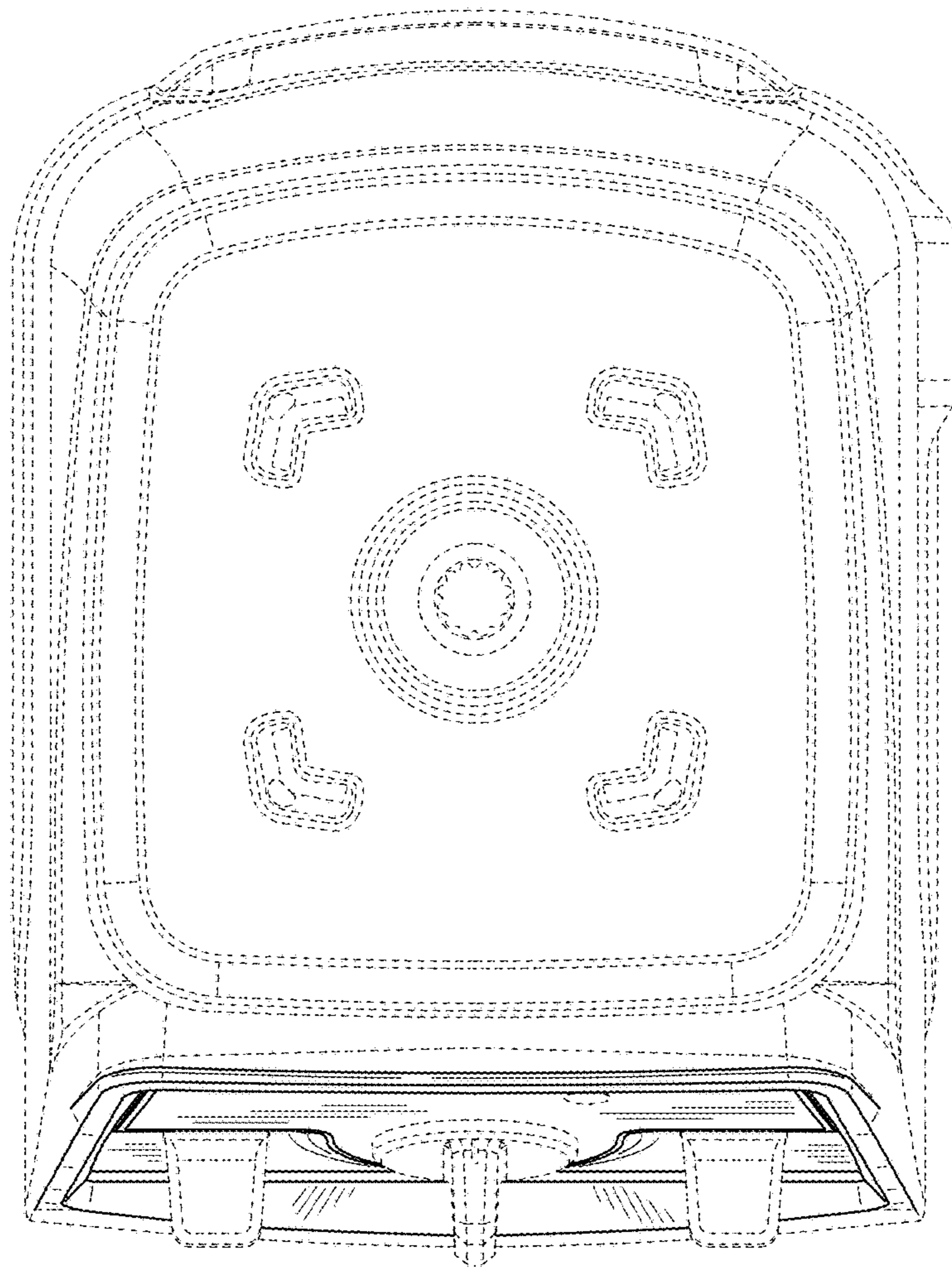


FIG. 6

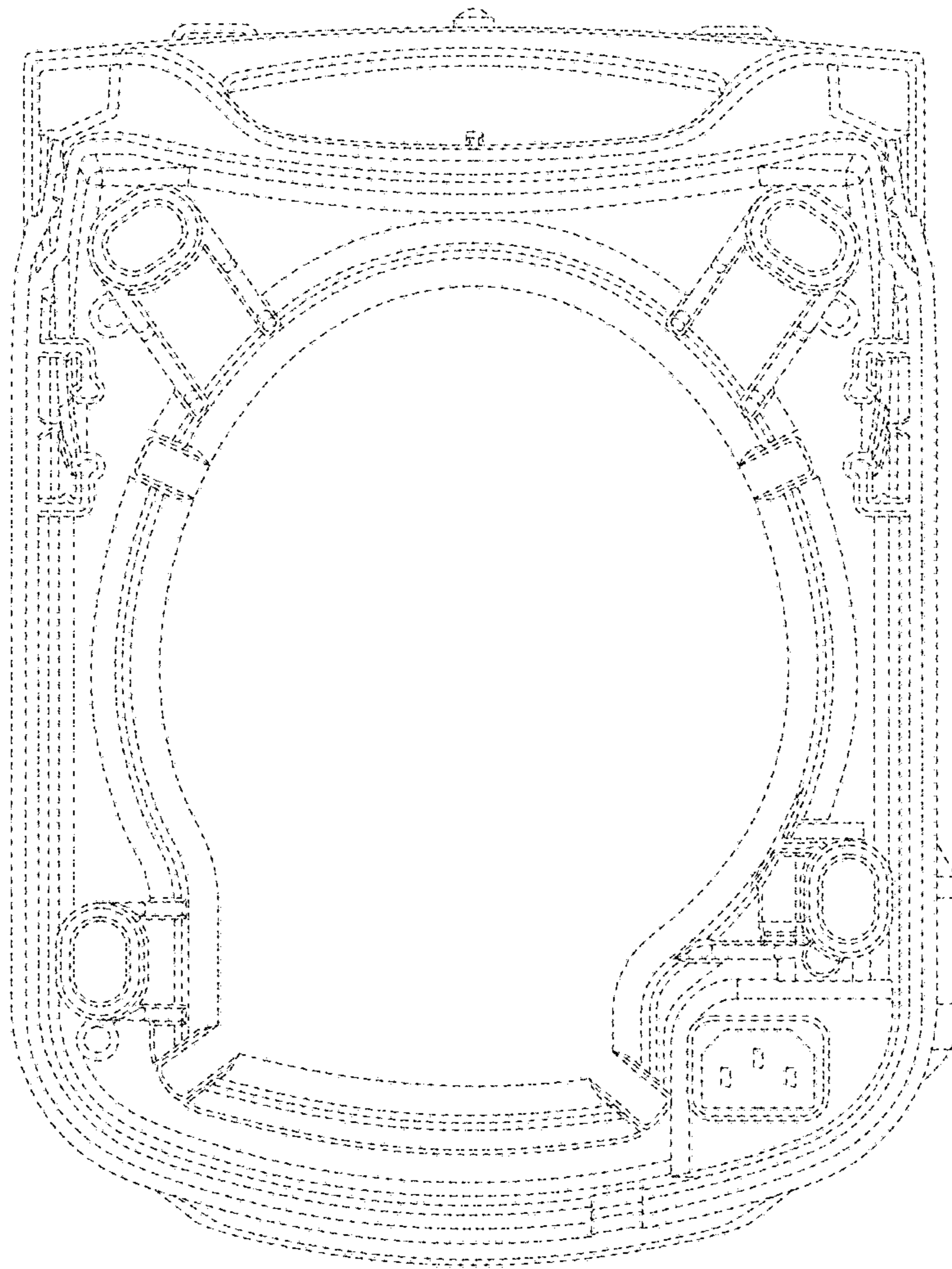


FIG. 7