



US00D858178S

(12) **United States Design Patent** (10) **Patent No.:** **US D858,178 S**
Kent (45) **Date of Patent:** **** Sep. 3, 2019**

(54) **NUT CHOPPER**
(71) Applicant: **Progressive International Corporation, Kent, WA (US)**
(72) Inventor: **Joseph Kent, Seattle, WA (US)**
(73) Assignee: **Progressive International Corporation, Kent, WA (US)**

3,949,637 A 4/1976 Funke
5,155,975 A 10/1992 Knowler
6,024,310 A 2/2000 Herdman
D424,889 S 5/2000 Yip
D484,371 S * 12/2003 Tang D7/679
D502,062 S 2/2005 Kaposi
D545,149 S * 6/2007 Marshall D7/679
D616,261 S * 5/2010 Lundstrom D7/679
D673,013 S 12/2012 Kent et al.
8,985,491 B2 3/2015 Kent et al.
2013/0334351 A1* 12/2013 Kent A47J 43/07
241/88.4

(**) Term: **15 Years**

* cited by examiner

(21) Appl. No.: **29/644,555**

Primary Examiner — Terry A Wallace

(22) Filed: **Apr. 18, 2018**

(74) *Attorney, Agent, or Firm* — Lowe Graham Jones PLLC

(51) **LOC (12) Cl.** **07-04**

(52) **U.S. Cl.**
USPC **D7/372; D7/679; D7/693**

(57) **CLAIM**

I claim the ornamental design for a nut chopper, as shown and described.

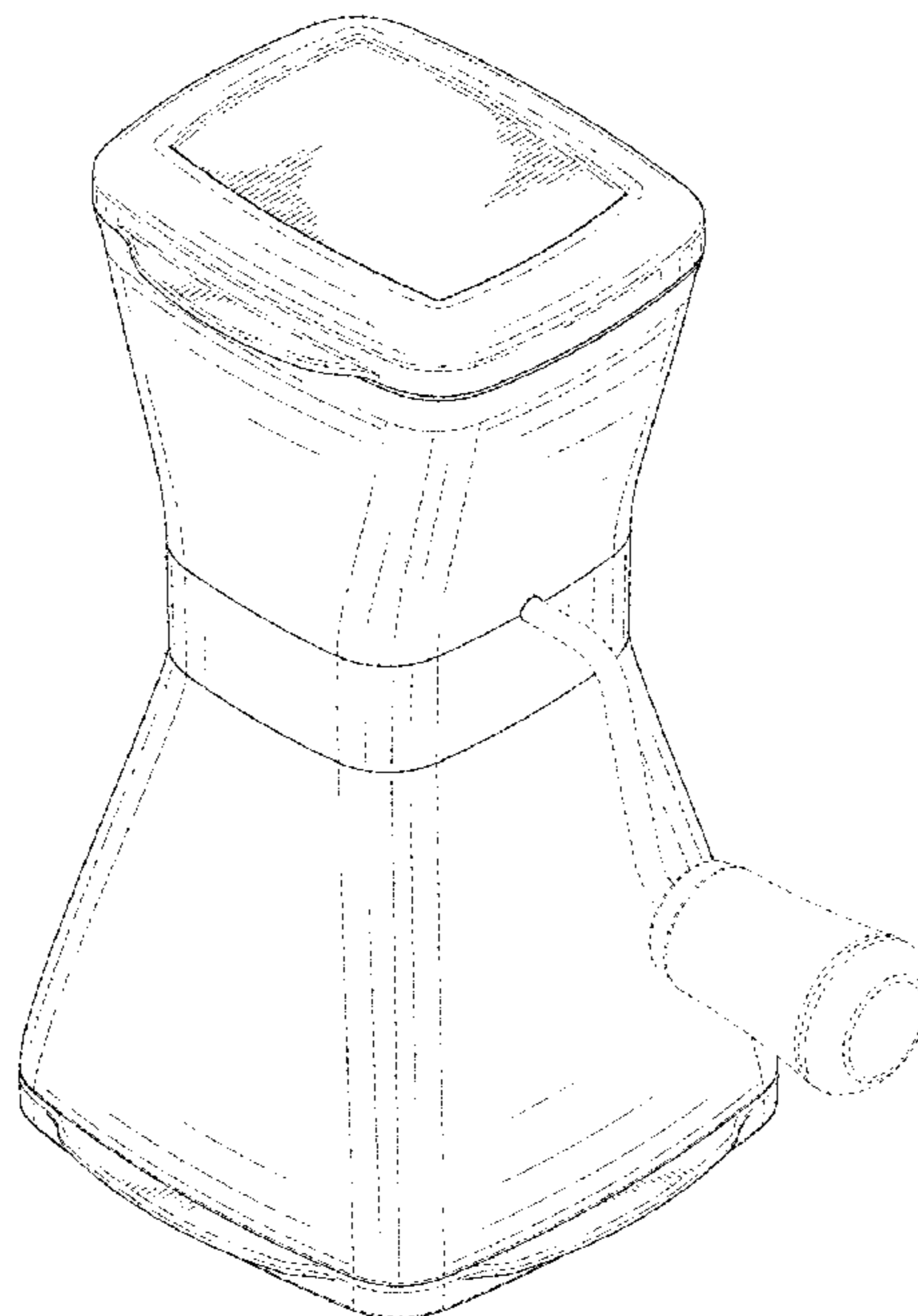
(58) **Field of Classification Search**
USPC D7/372, 373, 679, 693, 368, 669, 412
CPC A47J 43/07; A47J 43/04; A47J 43/044;
A47J 43/0722; A47J 43/26; A47J 42/00;
A47J 42/04; A47J 42/14; A47J 42/24;
A47J 42/34; B02C 18/16; B02C 18/00
See application file for complete search history.

DESCRIPTION

FIG. 1 is a top perspective view of a nut chopper, showing my new design.
FIG. 2 is a front elevational view of the nut chopper.
FIG. 3 is a rear elevational view of the nut chopper.
FIG. 4 is a left side view of the nut chopper.
FIG. 5 is a right side view of the nut chopper.
FIG. 6 is a top plan view of the nut chopper.
FIG. 7 is a bottom plan view of the nut chopper; and,
FIG. 8 is a top perspective view of the nut chopper, shown with a handle in broken lines.
Features illustrated in broken lines show possible environment and form no part of the claimed design.

(56) **References Cited**
U.S. PATENT DOCUMENTS
2,001,075 A 5/1935 Sundstrand
2,280,211 A 4/1942 Bernhardt
2,398,933 A 5/1945 Grant
2,507,571 A 5/1950 Lacout
D196,093 S 8/1963 Ostrowsky
3,357,468 A 12/1967 Brinch-Moller
3,527,277 A 9/1970 Woods

1 Claim, 8 Drawing Sheets



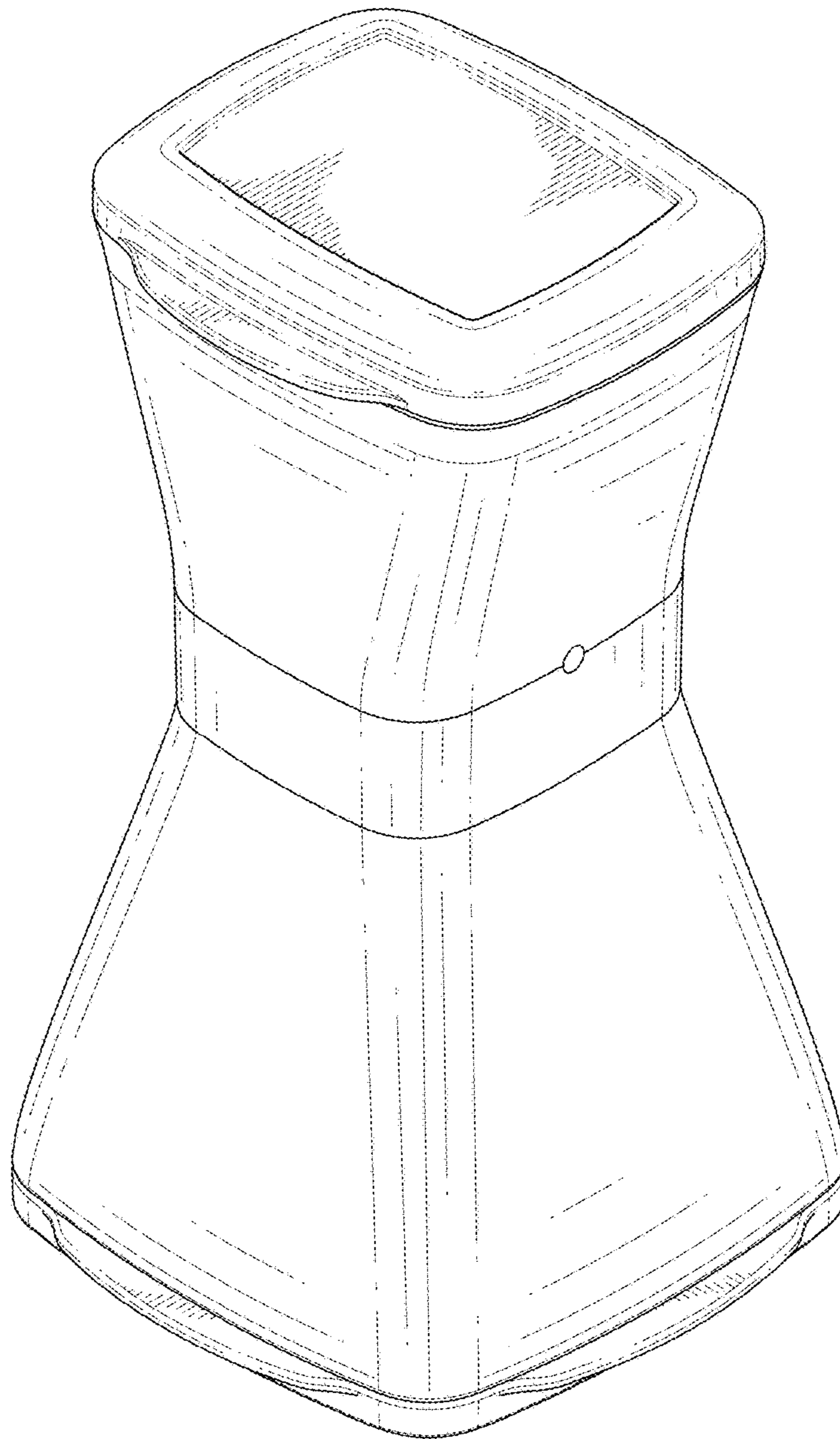


FIG. 1

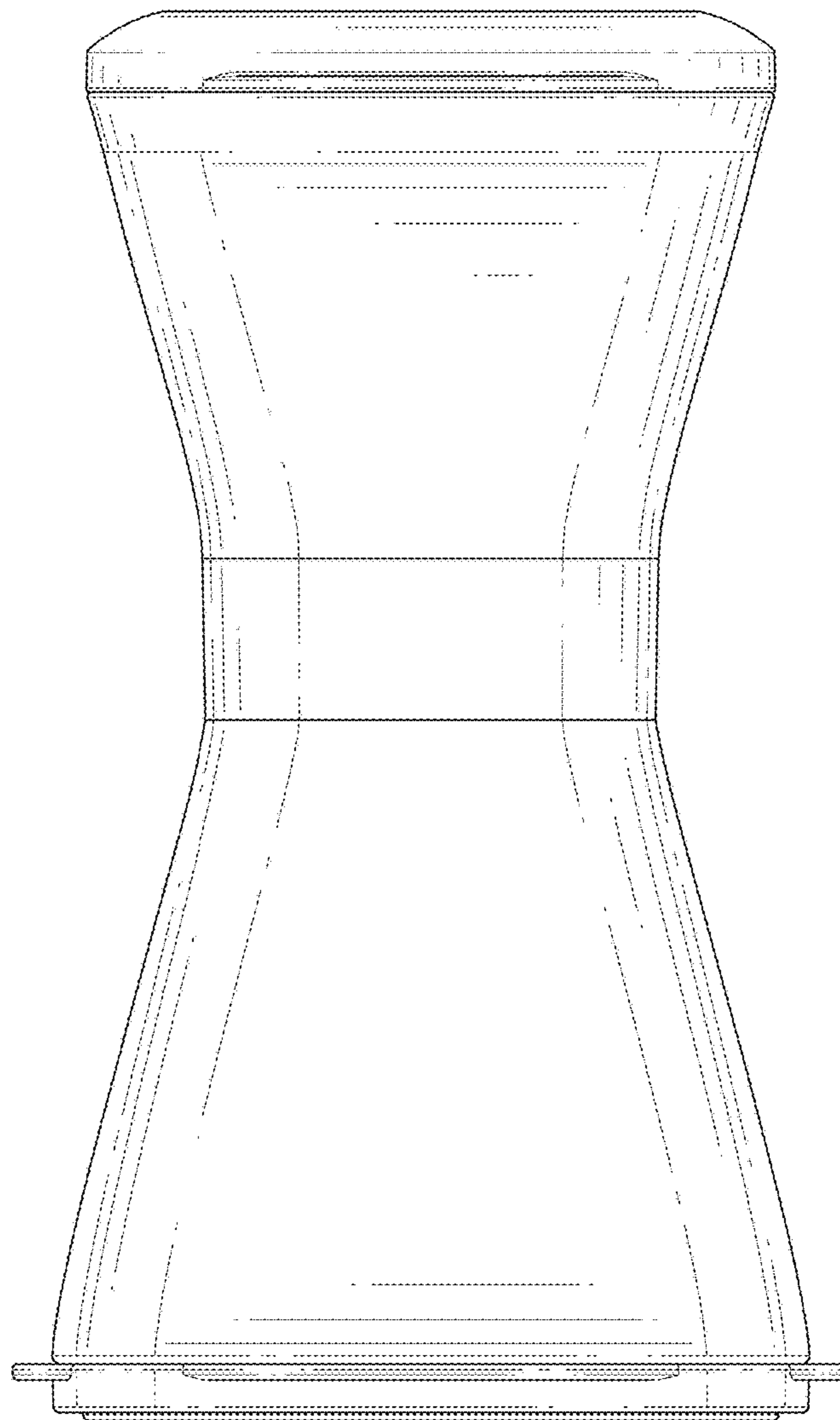


FIG. 2

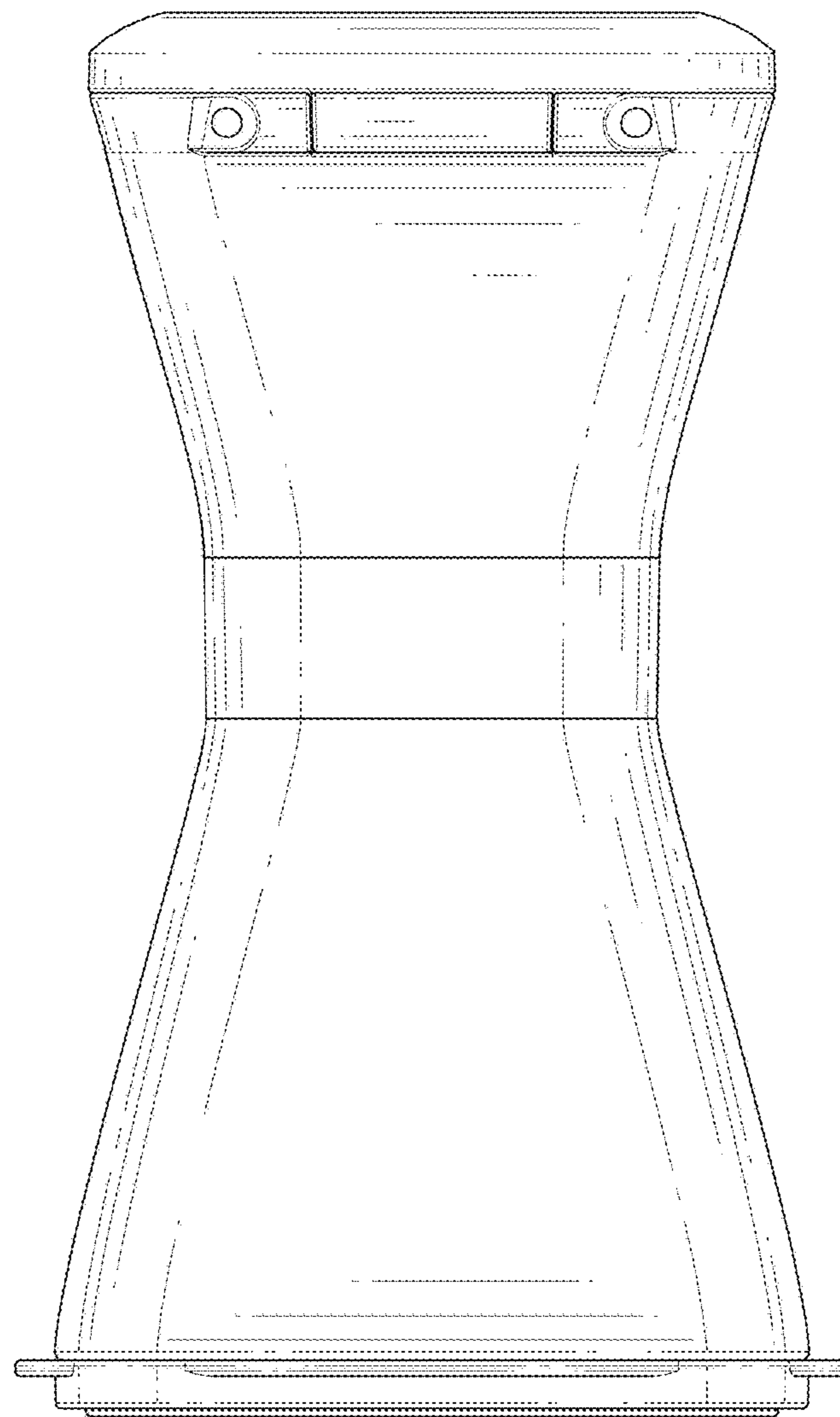


FIG.3

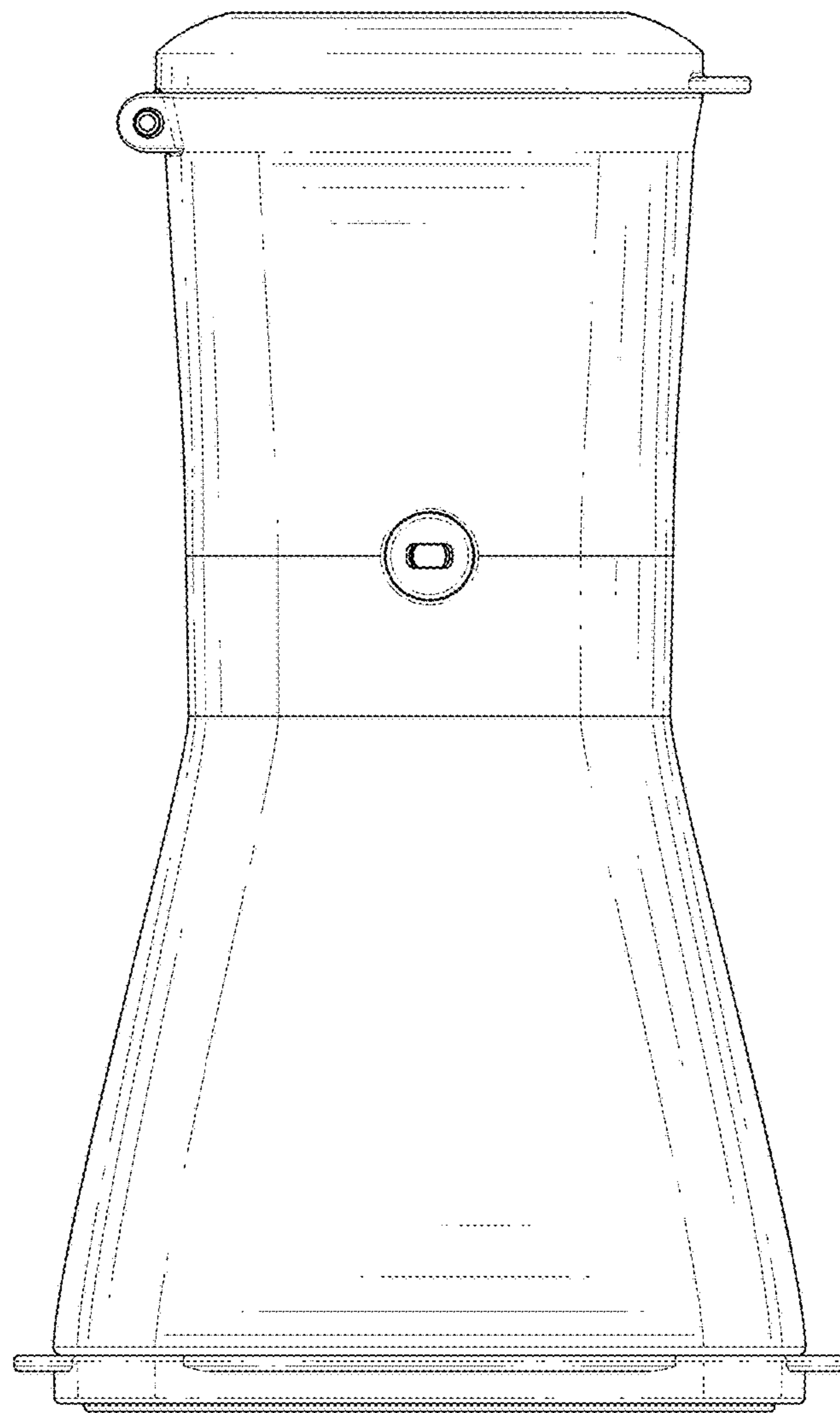


FIG. 4

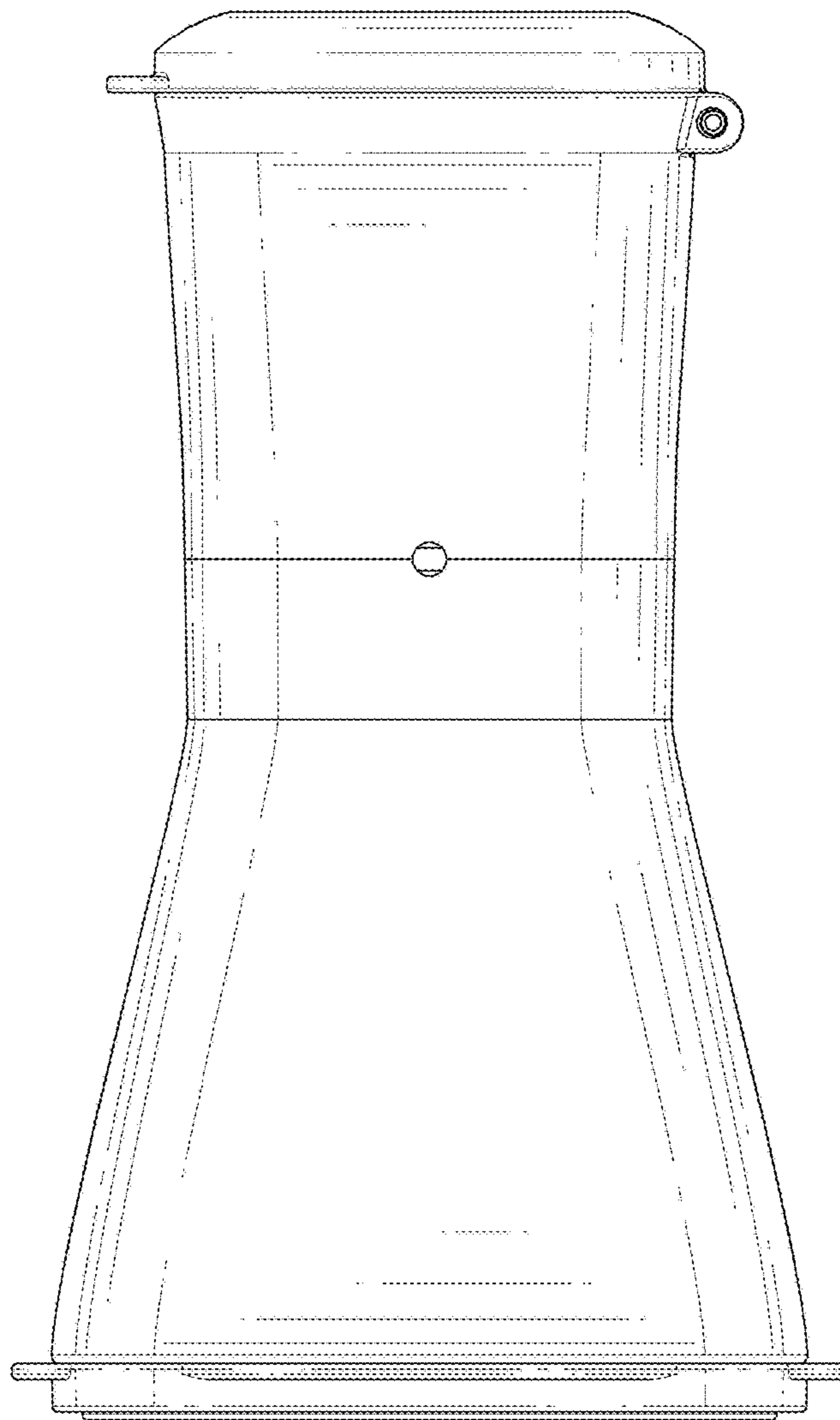


FIG. 5

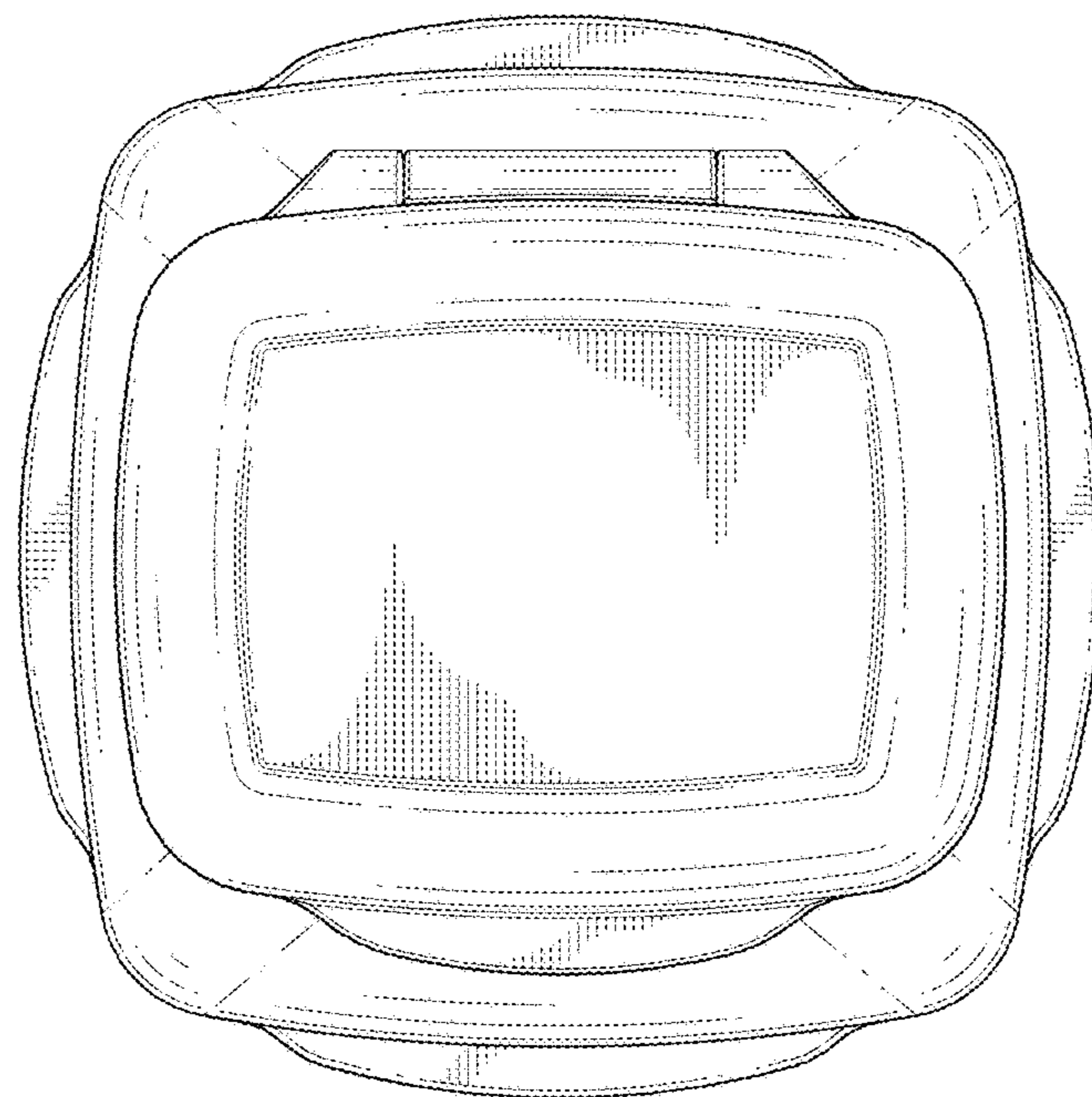


FIG.6

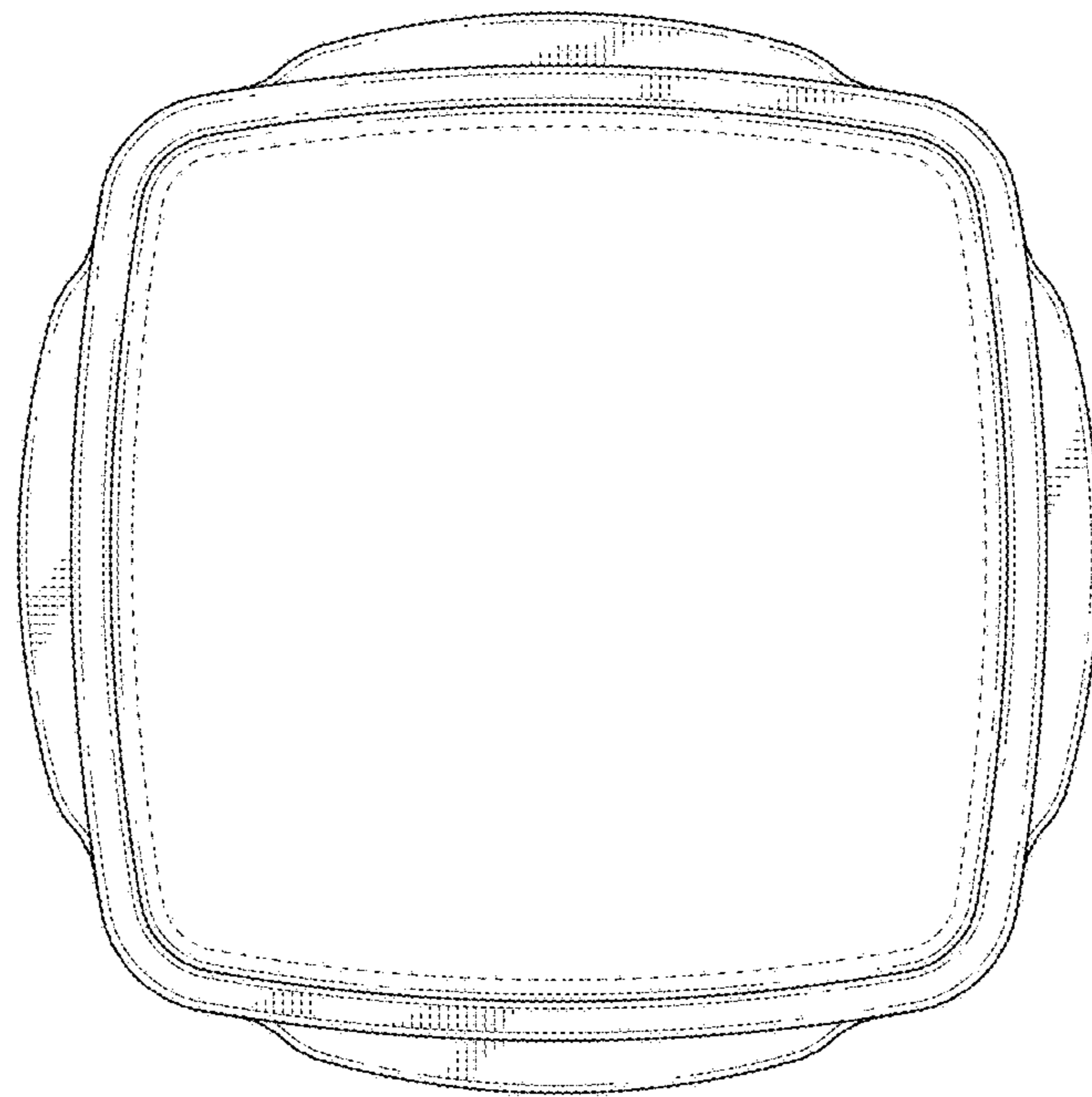


FIG. 7

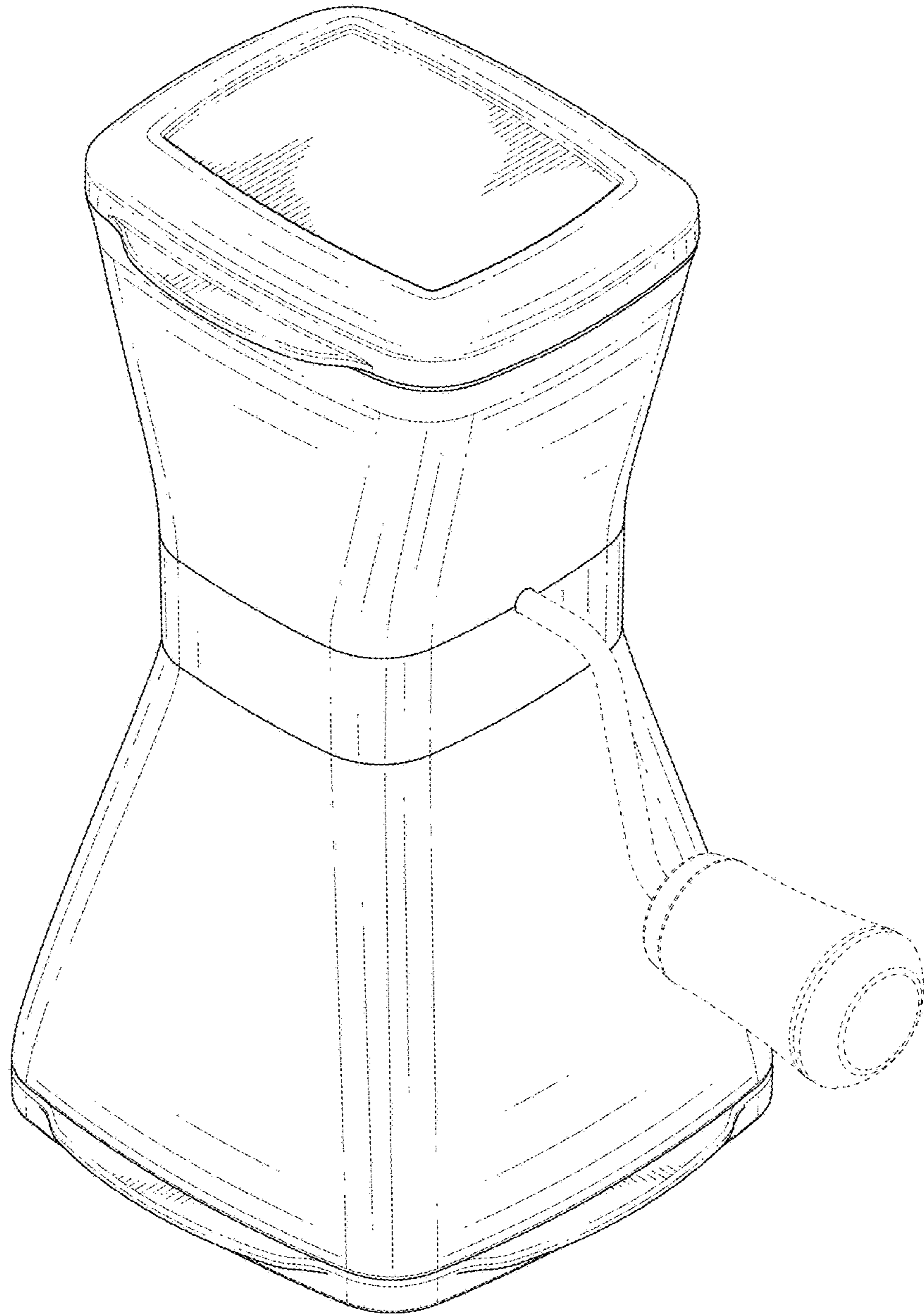


FIG.8