



US00D858176S

(12) **United States Design Patent** (10) **Patent No.:** **US D858,176 S**  
**Lee** (45) **Date of Patent:** **\*\* Sep. 3, 2019**

(54) **INFRARED HEATING COOKER**

(71) Applicant: **Jin Hee Lee**, Seoul (KR)

(72) Inventor: **Jin Hee Lee**, Seoul (KR)

(\*\*) Term: **15 Years**

(21) Appl. No.: **29/628,620**

(22) Filed: **Dec. 6, 2017**

(30) **Foreign Application Priority Data**

Nov. 1, 2017 (KR) ..... 30-2017-0050859

(51) **LOC (12) Cl.** ..... **07-02**

(52) **U.S. Cl.**  
USPC ..... **D7/362**

(58) **Field of Classification Search**  
USPC ..... D7/332-337, 351-353, 402-409,  
D7/339-340, 346-349, 362-367  
CPC ..... A47J 37/067; A47J 37/0676; A47J 37/06;  
A47J 37/0611; A47J 37/0623; A47J  
37/0629  
See application file for complete search history.

(56) **References Cited**

**U.S. PATENT DOCUMENTS**

2,198,645 A \* 4/1940 Wolcott ..... A47J 37/0623  
126/299 R  
4,577,092 A \* 3/1986 Lenoir ..... A47J 37/0623  
211/101

D764,222 S \* 8/2016 Lee ..... D7/352  
D764,223 S \* 8/2016 Lee ..... D7/352  
D764,859 S \* 8/2016 Lee ..... D7/352  
D764,860 S \* 8/2016 Lee ..... D7/352  
D826,624 S \* 8/2018 Lee ..... D7/362  
D827,362 S \* 9/2018 Lee ..... D7/362  
D833,199 S \* 11/2018 Lee ..... D7/352  
2009/0223380 A1 \* 9/2009 Van Aken ..... A47J 37/0611  
99/332  
2012/0132083 A1 \* 5/2012 Lee ..... A47J 37/0676  
99/357  
2018/0008092 A1 \* 1/2018 Lee ..... A47J 37/06

\* cited by examiner

*Primary Examiner* — Brett Miller

(74) *Attorney, Agent, or Firm* — Kile Park Reed & Houtteman PLLC

(57) **CLAIM**

I claim, the ornamental design for an infrared heating cooker, as shown and described.

**DESCRIPTION**

FIG. 1 is a top and front perspective view of an infrared heating cooker, showing my new design;  
FIG. 2 is a front view thereof;  
FIG. 3 is a rear view thereof;  
FIG. 4 is a left side view thereof;  
FIG. 5 is a right side view thereof;  
FIG. 6 is a top view thereof; and  
FIG. 7 is a bottom view thereof; and,  
FIG. 8 is an enlarged detail view of a portion taken from reference "8" on FIG. 2.

**1 Claim, 8 Drawing Sheets**

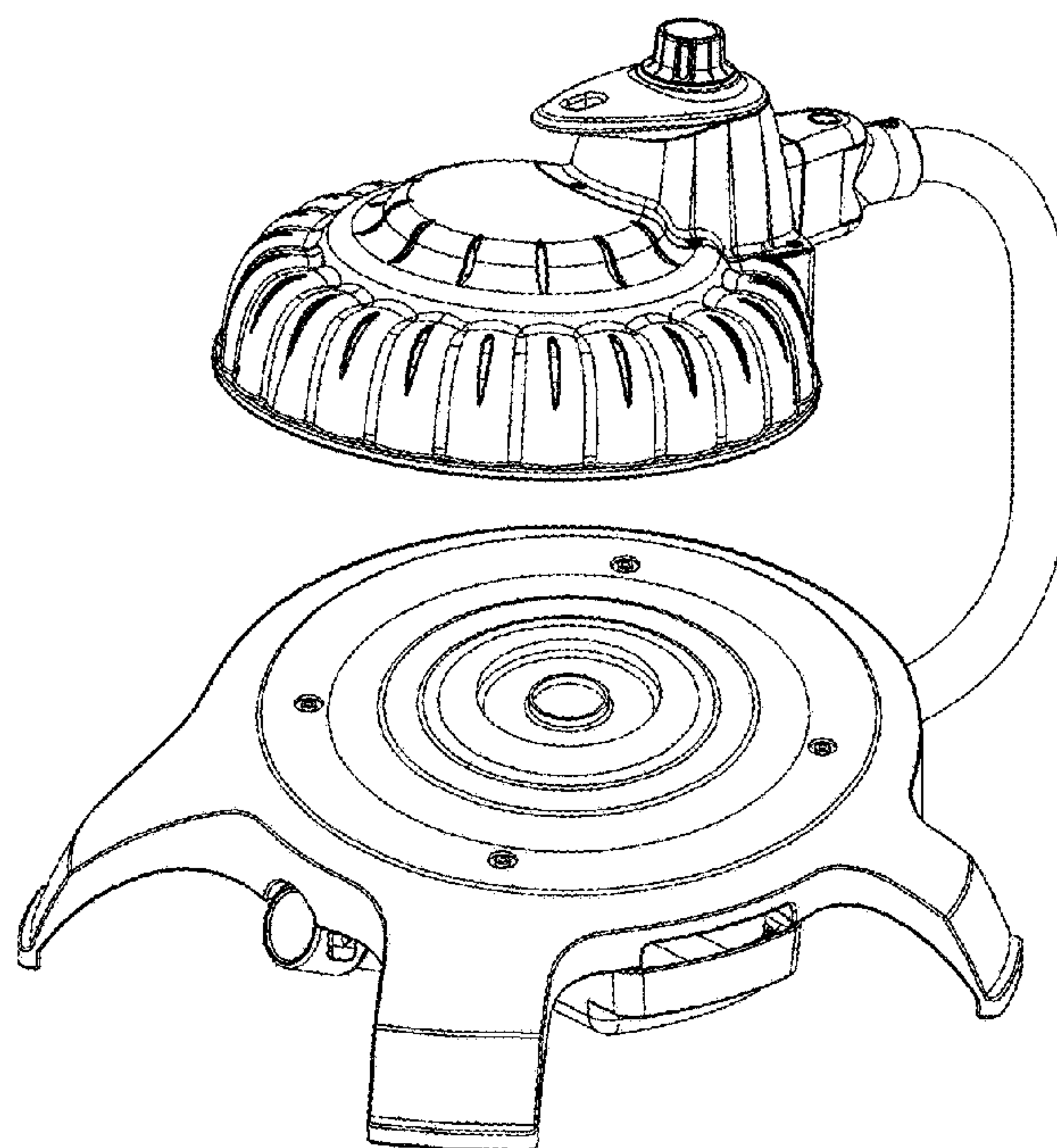


FIG. 1

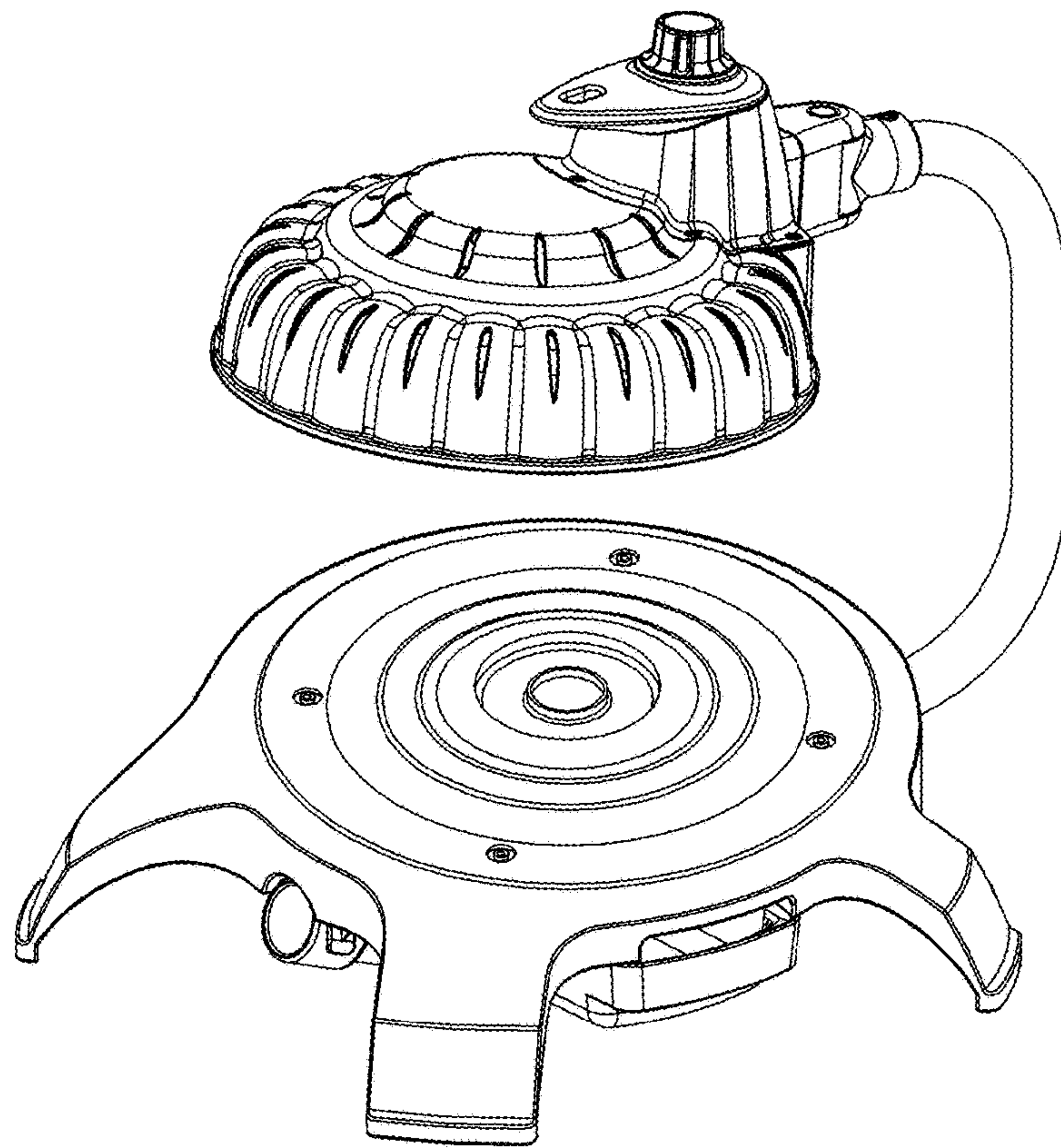


FIG. 2

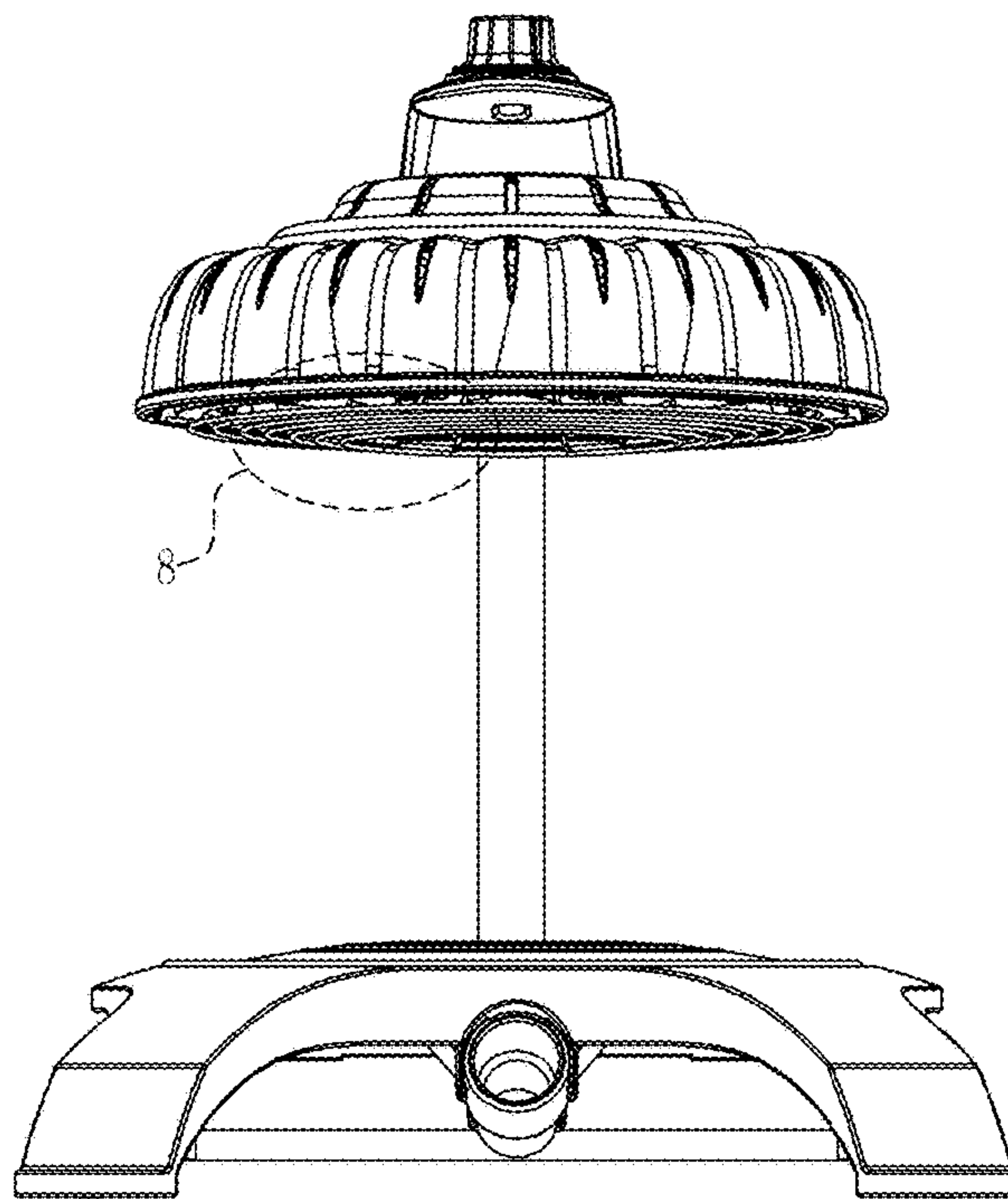


FIG. 3

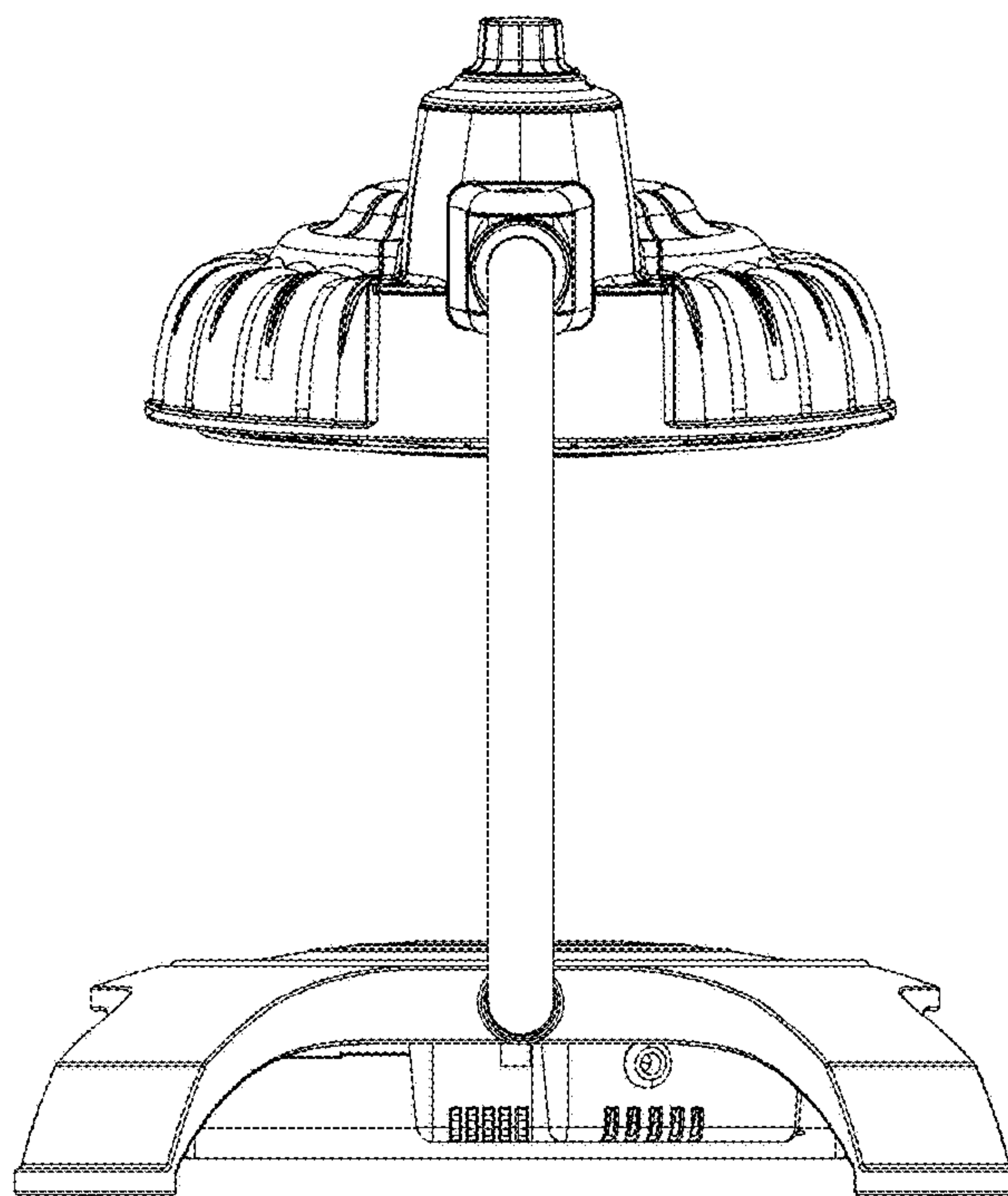


FIG. 4

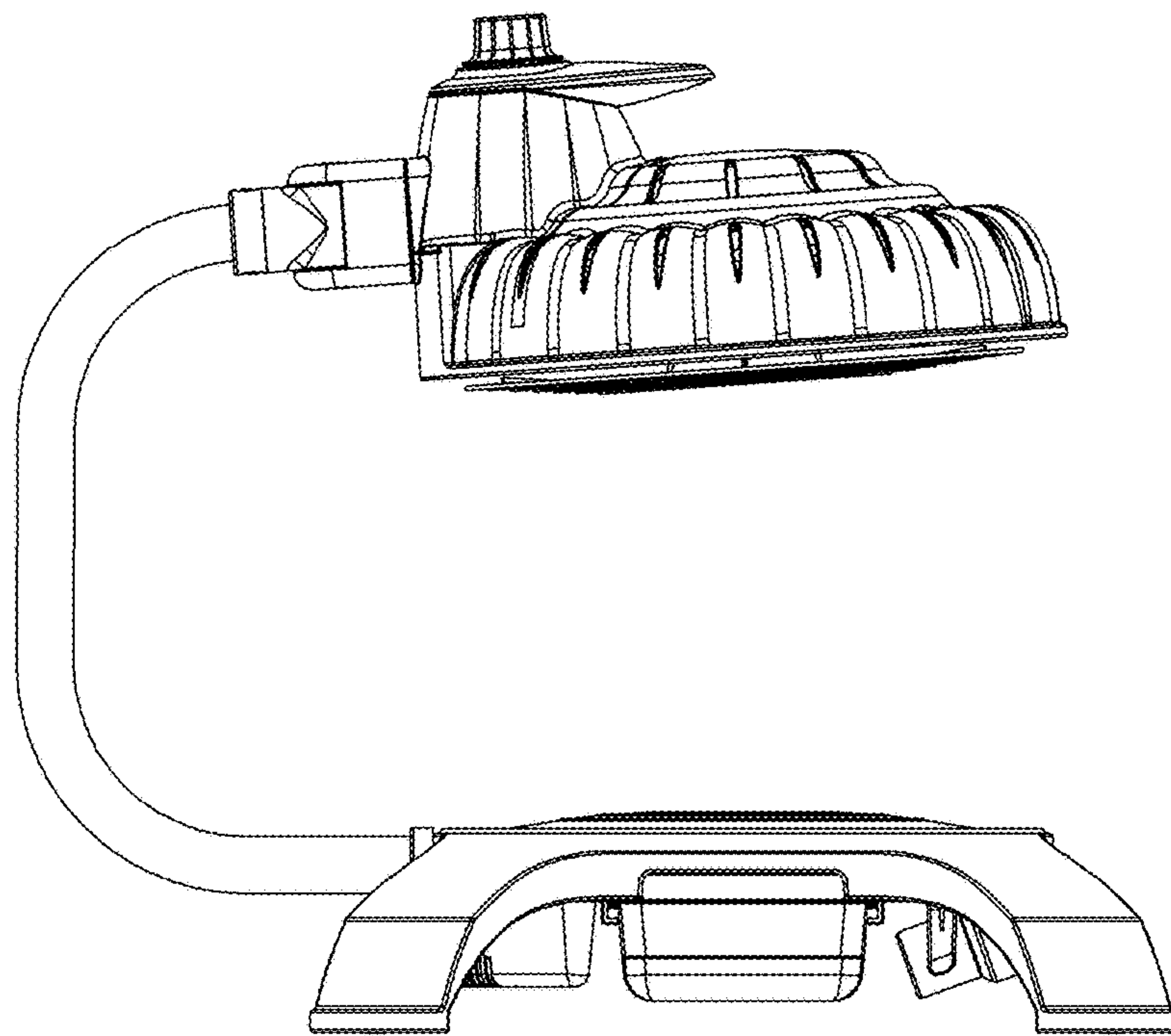




FIG. 5

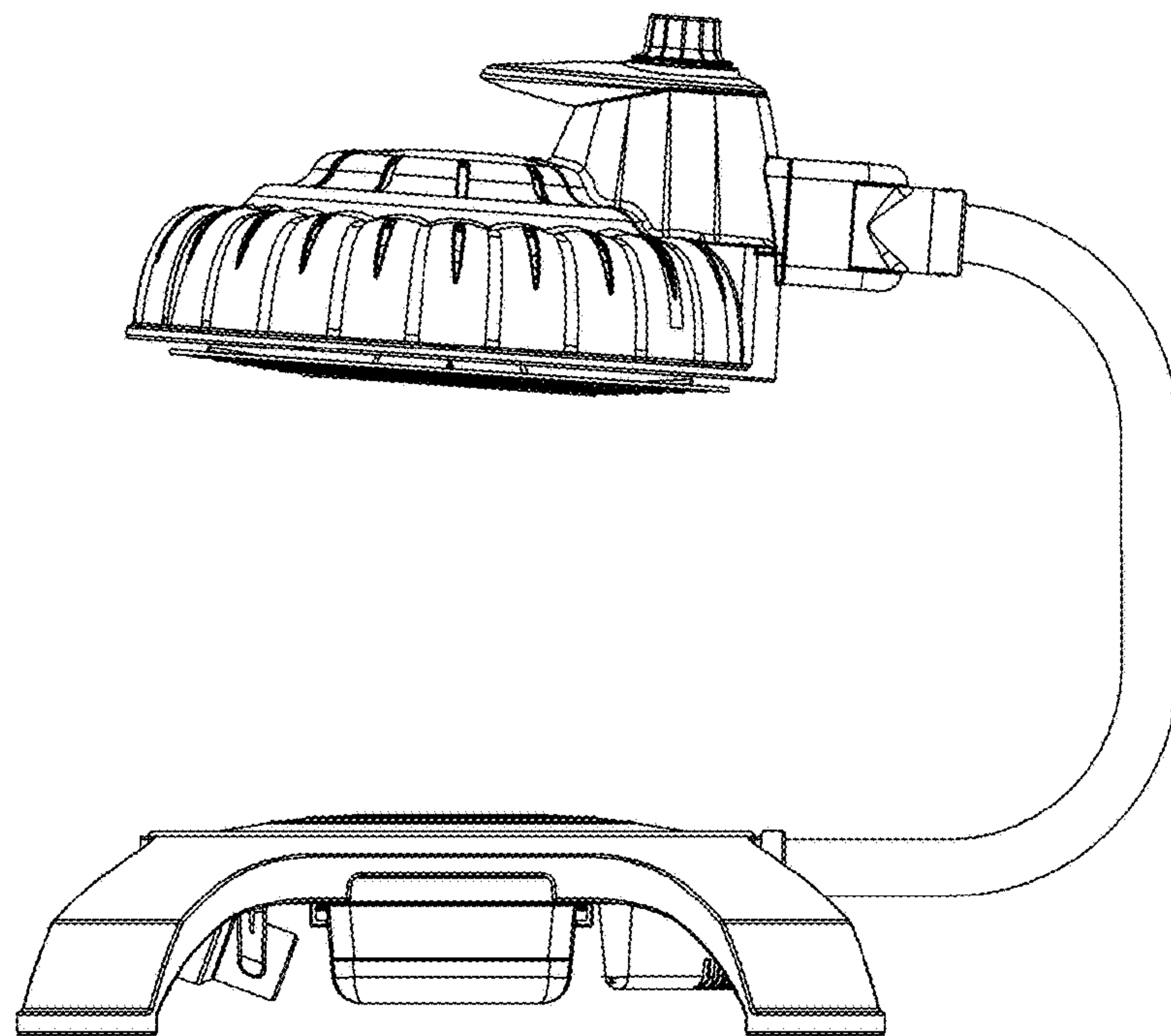


FIG. 6

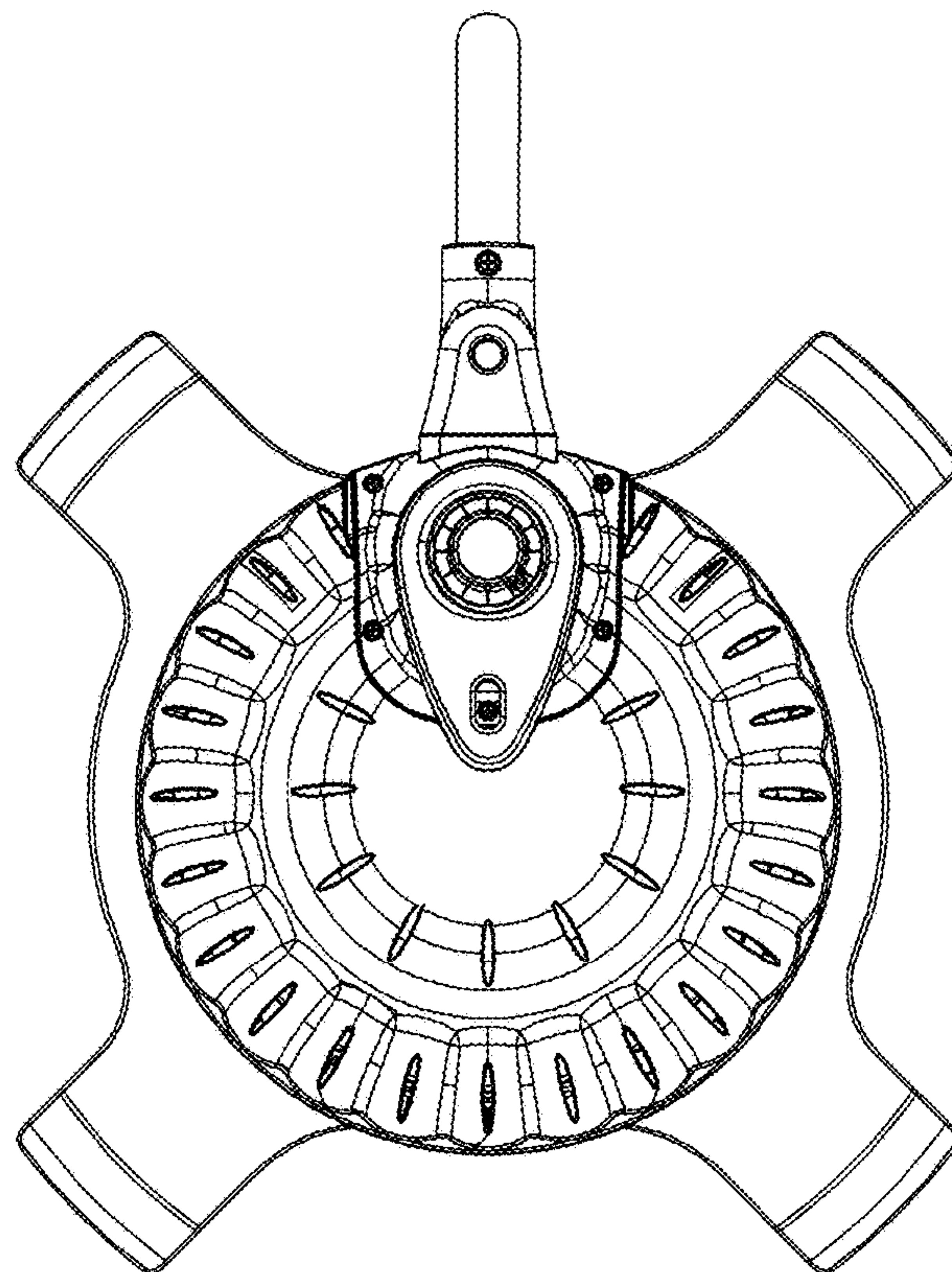


FIG. 7

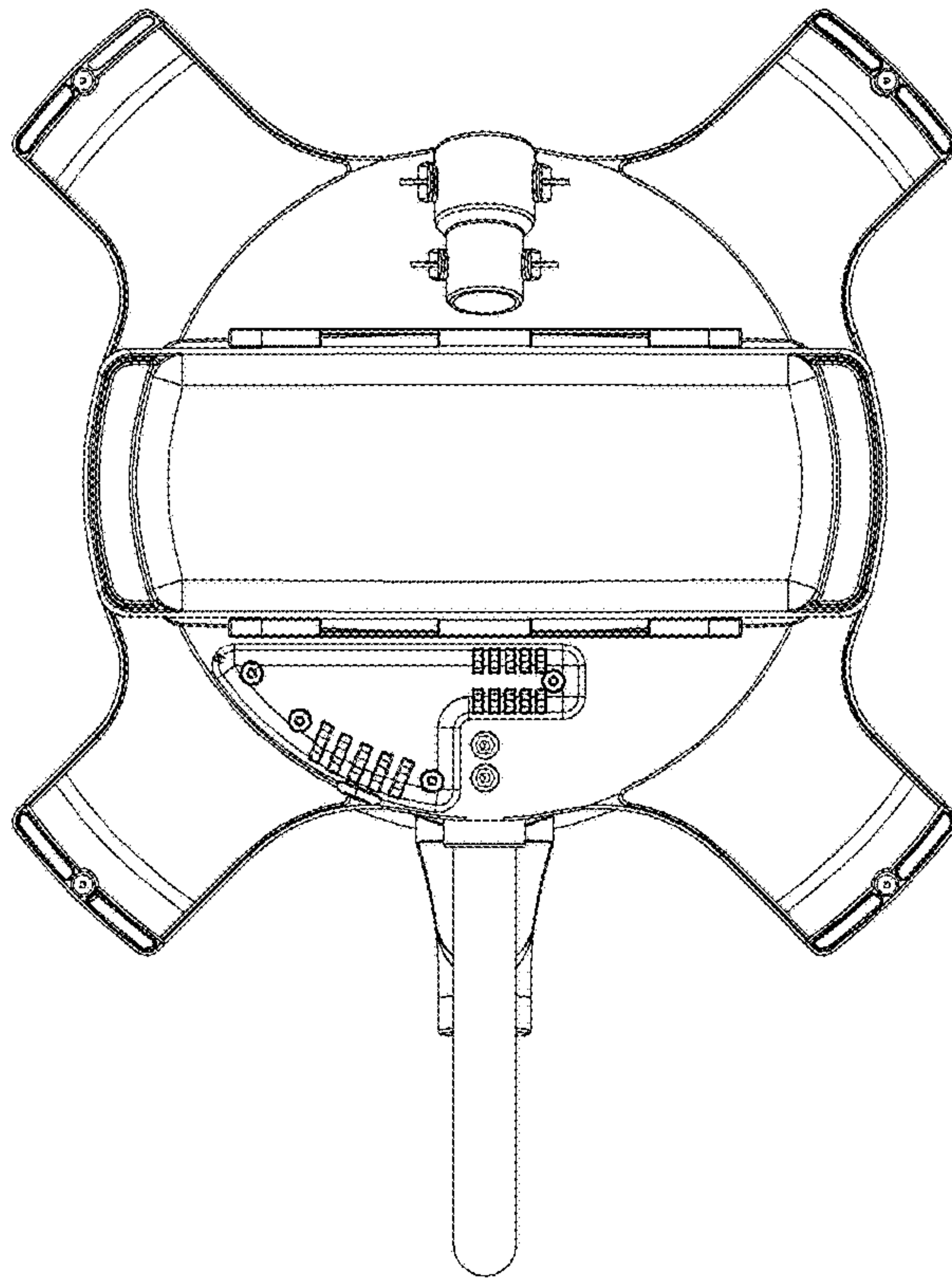




FIG. 8

