



US00D858175S

(12) **United States Design Patent** (10) **Patent No.:** **US D858,175 S**
Sebastian Azpiazu (45) **Date of Patent:** **** Sep. 3, 2019**

(54) **GRILL FOR MICROWAVE OVEN**
(71) Applicant: **Lékué, SL**, La Llagosta (Barcelona) (ES)
(72) Inventor: **Rafael Sebastian Azpiazu**, Barcelona (ES)
(73) Assignee: **Lekue, SL**, La Llagosta (Barcelona) (ES)
(**) Term: **15 Years**
(21) Appl. No.: **29/656,743**
(22) Filed: **Jul. 16, 2018**

(30) **Foreign Application Priority Data**
Feb. 9, 2018 (ES) 201830177 U
(51) **LOC (12) Cl.** **07-02**
(52) **U.S. Cl.**
USPC **D7/359; D7/363; D7/409**
(58) **Field of Classification Search**
USPC D7/323, 332, 335-337, 354-355,
D7/359-364, 387-388, 402, 407-409,
D7/552.1

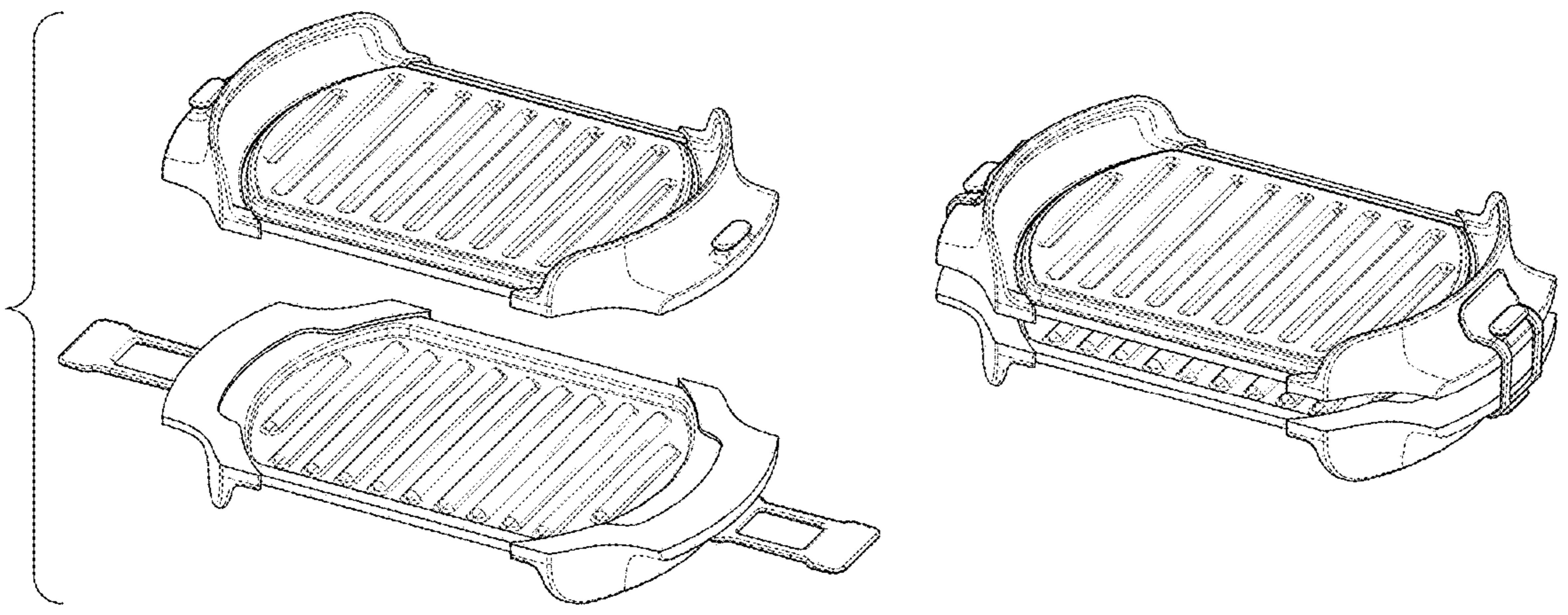
(Continued)
(56) **References Cited**
U.S. PATENT DOCUMENTS
D380,342 S * 7/1997 Edmonds D7/363
5,884,555 A * 3/1999 Chang A47J 37/067
99/400
(Continued)

Primary Examiner — Ricky Pham
(74) *Attorney, Agent, or Firm* — Robert J. Jess; Hess Patent Law Firm

(57) **CLAIM**
I claim the ornamental design for a grill for microwave oven, as shown and described.

DESCRIPTION
FIG. 1 is an exploded perspective view of the grill for microwave oven consisting of two separable identical grill plate assemblies and two separable identical elastic retainers. The non-shown lower side of the upper grill plate assembly is identical to the shown upper side of the lower grill plate assembly and the non-shown lower side of the lower elastic retainer is identical to the shown upper side of the elastic retainer.
FIG. 2 is a perspective view of the grill for microwave oven in a position previous to use.
FIG. 3 is a perspective view of the grill for microwave oven in a working position.
FIG. 4 is a top view of the grill for microwave oven in the position previous to use.
FIG. 5 is a bottom view of the grill for microwave oven in the position previous to use.
FIG. 6 is a front elevation view (symmetrical to the rear elevation view) of the grill for microwave oven in the position previous to use.
FIG. 7 is a right elevation view (symmetrical to the left elevation view) of the grill for microwave oven in the position previous to use.
FIG. 8 is a top view of the grill for microwave oven in the working position.
FIG. 9 is a bottom view of the grill for microwave oven in the working position.
FIG. 10 is a front elevation view (symmetrical to the rear elevation view) of the grill for microwave oven in the working position; and,
FIG. 11 is a right elevation view (symmetrical to the left elevation view) of the grill for microwave oven in the working position.
The broken lines shown in the drawings are for illustrative purposes only and form no part of the claimed design.

1 Claim, 11 Drawing Sheets



(58) **Field of Classification Search**

CPC A21B 2/00; A21B 3/00; A21B 3/13; A21B 3/15; A21B 5/00; A21B 5/02; A23N 12/06; A23N 12/08; A23N 12/10; A47J 36/2483; A47J 37/00; A47J 37/04; A47J 37/041; A47J 37/042; A47J 37/06; A47J 37/067; A47J 37/0688; A47J 37/0694; A47J 37/07; A47J 37/0704; A47J 37/10; A47J 47/20; A47J 2037/00; A47J 2037/06; A47J 2037/0611; A47J 2037/07; A47J 2037/0786; A47J 2037/0795; F24C 15/10; F24C 15/12; F24C 15/14; F24C 15/16; F24C 15/164; F24C 15/18

See application file for complete search history.

(56) **References Cited**

U.S. PATENT DOCUMENTS

6,024,014	A *	2/2000	Kasai	A47J 37/067 99/400
D437,183	S *	2/2001	Wong	D7/362
D452,630	S *	1/2002	Choi	D7/362
D483,605	S *	12/2003	Gronda	D7/359
D505,044	S *	5/2005	Hei	D7/363
6,930,288	B1 *	8/2005	Lin	A47J 36/2483 219/450.1
D644,059	S *	8/2011	Bodum	A47J 37/067 D7/362
D662,781	S *	7/2012	Pallotto	D7/552.1
D702,500	S *	4/2014	Ishii	D7/409
D723,324	S *	3/2015	Feriola	D7/354
D820,042	S *	6/2018	Hollinger	A47J 36/2483 D7/409

* cited by examiner

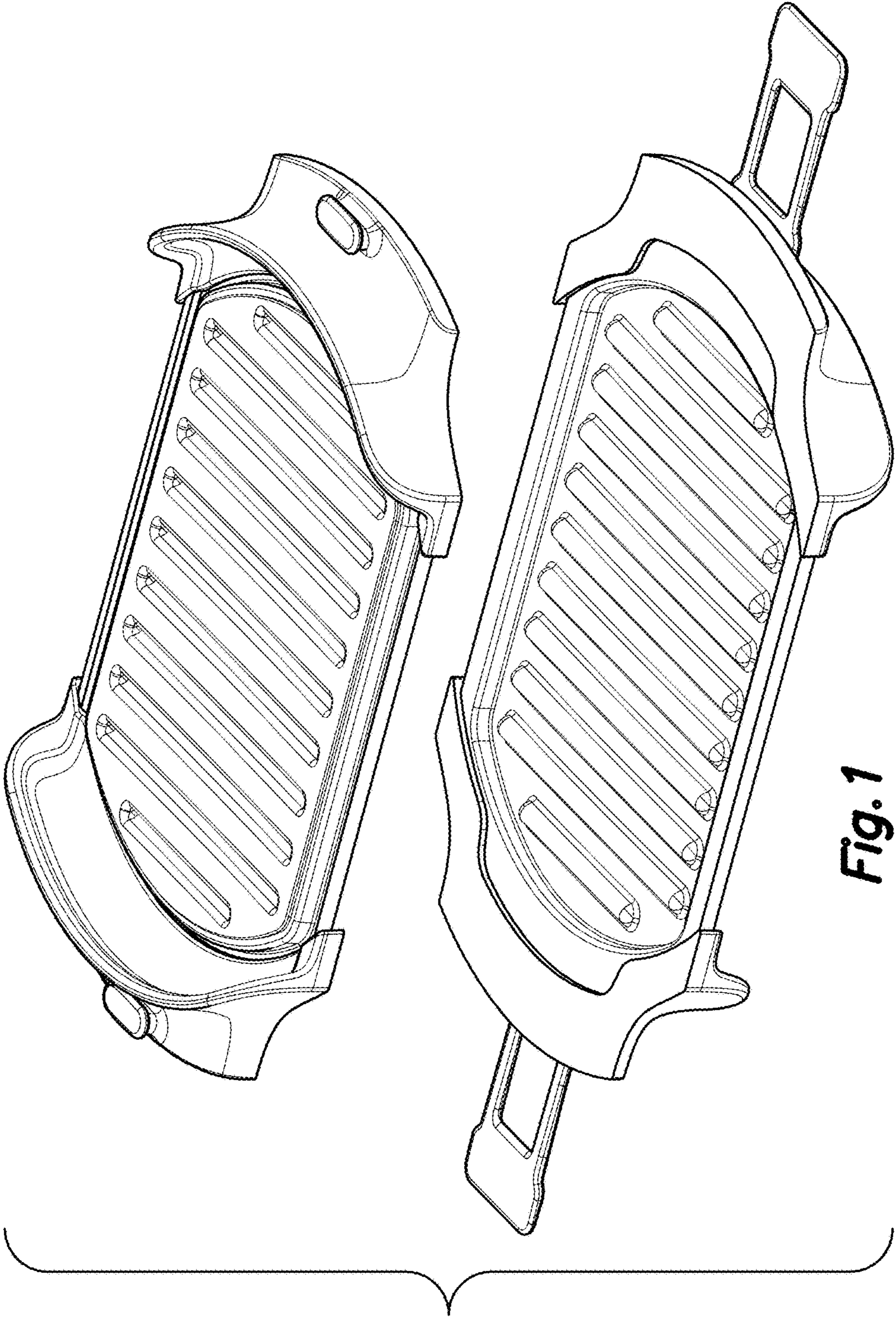


Fig. 1

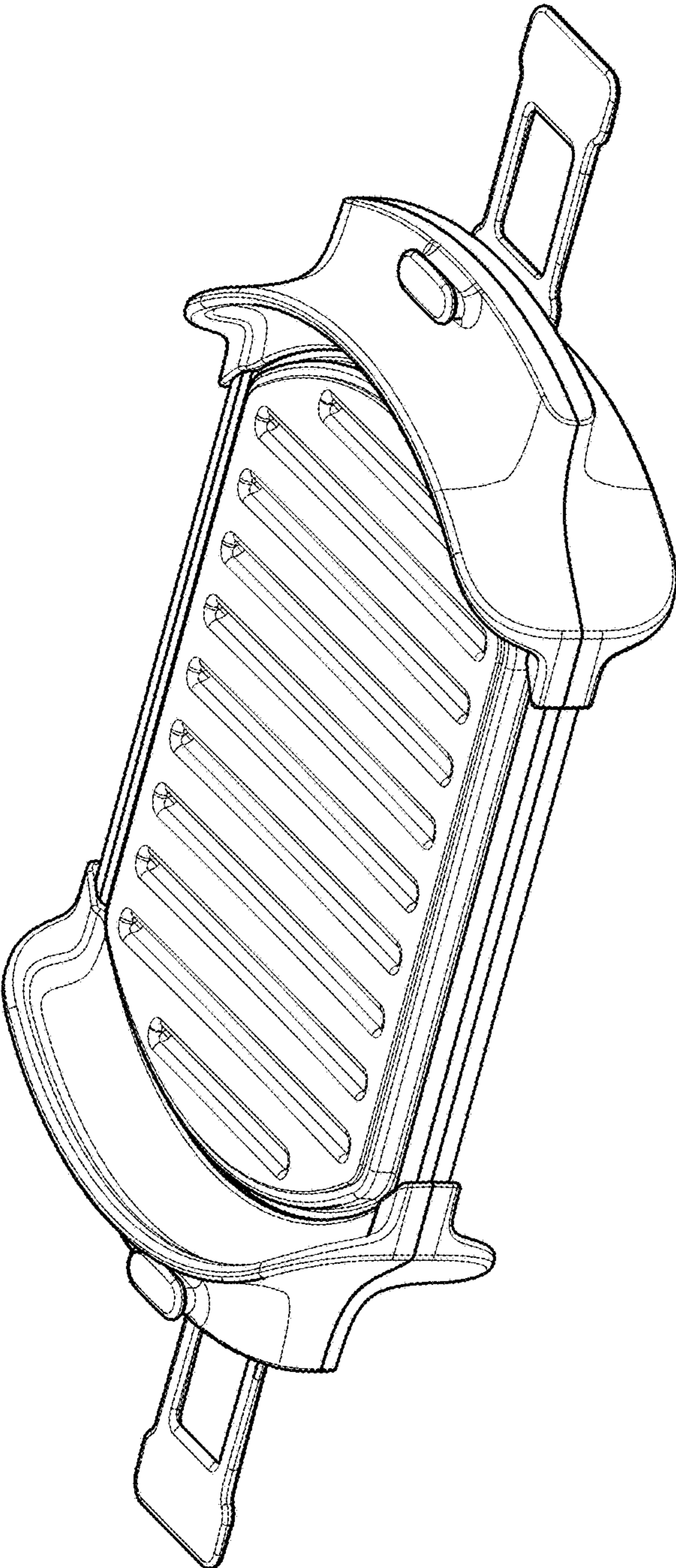


Fig. 2

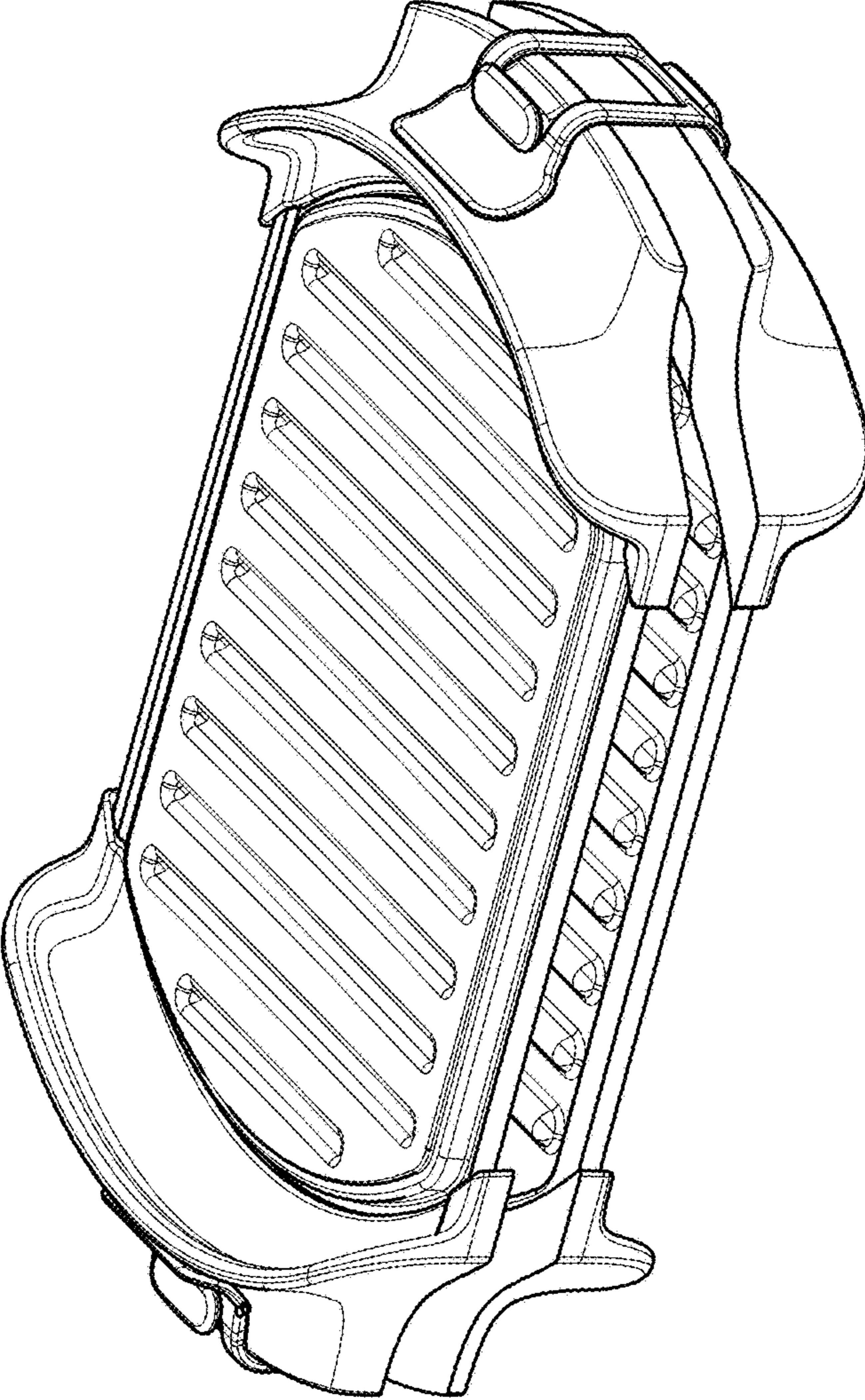


Fig. 3

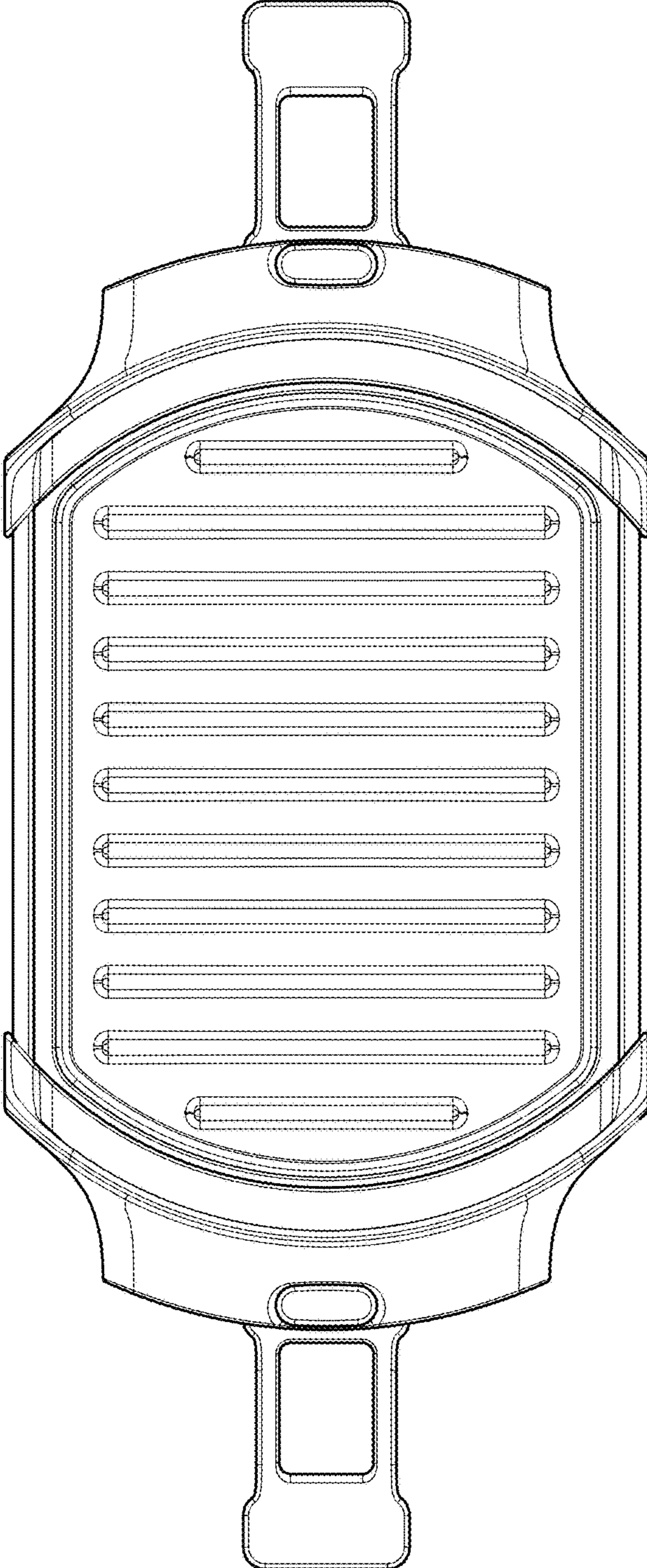


Fig. 4

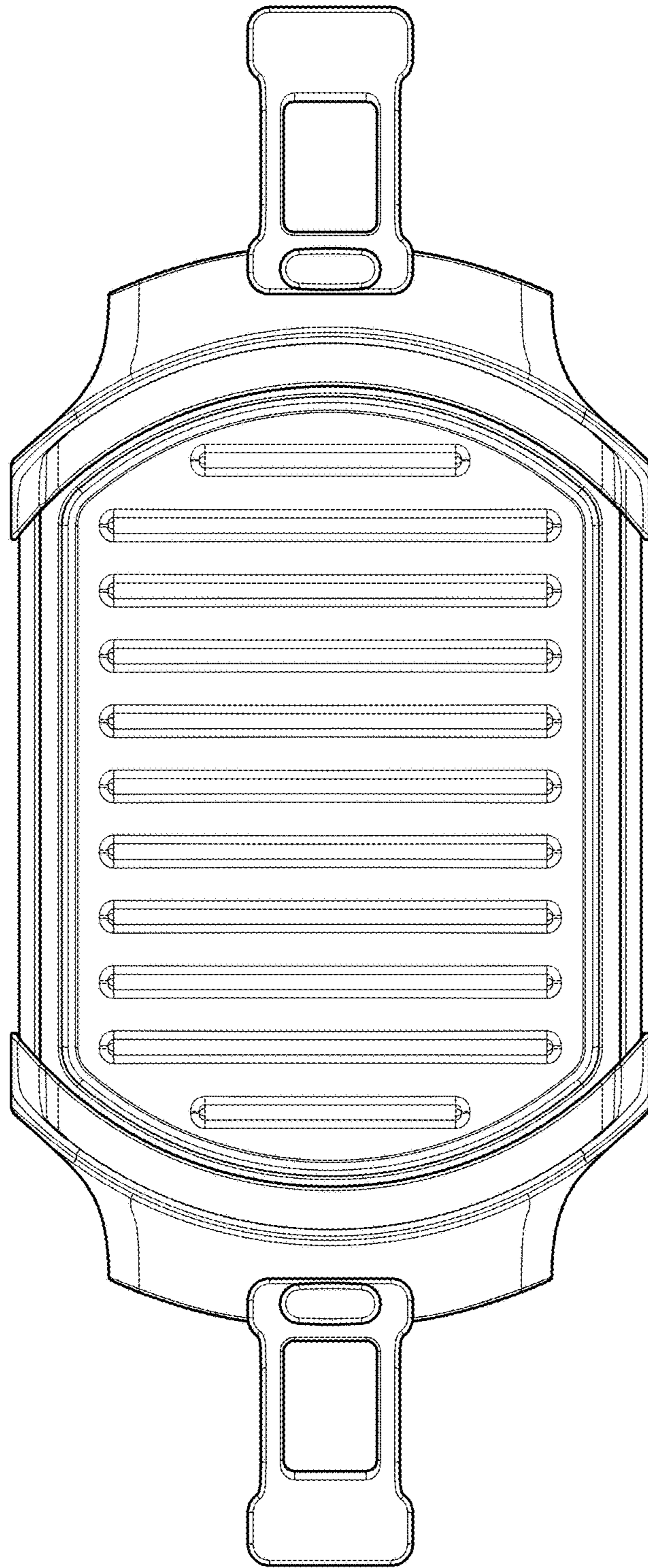


Fig. 5

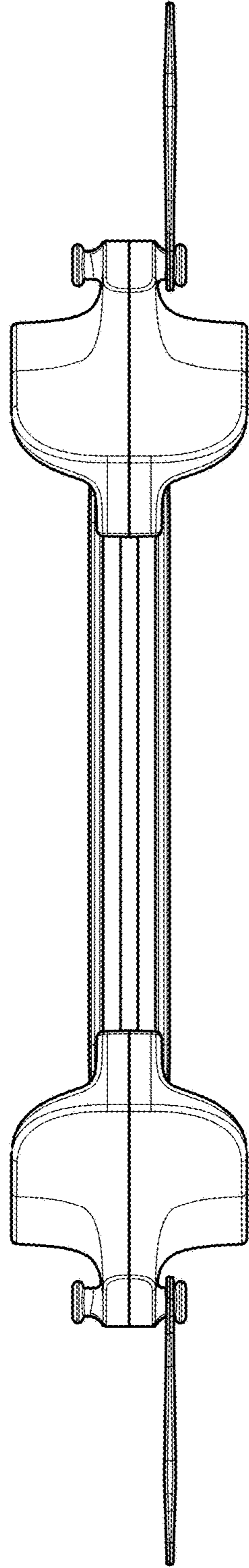


Fig. 6

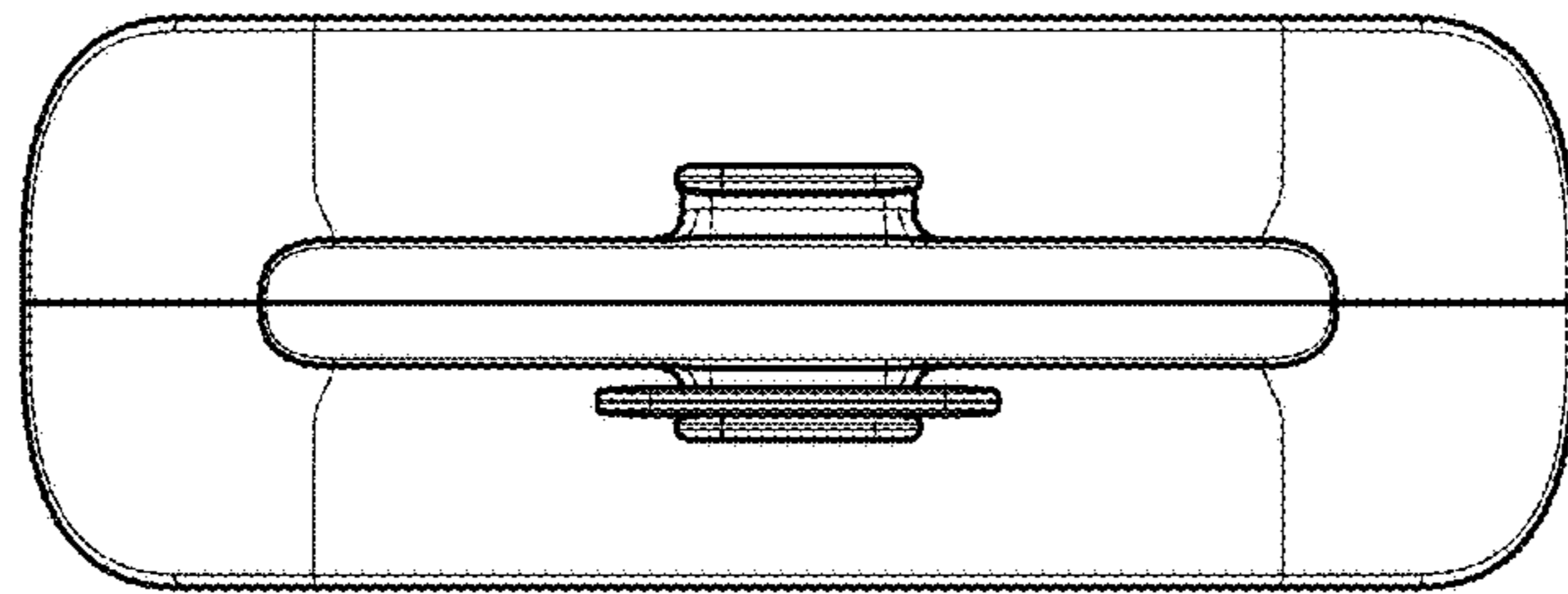


Fig. 7

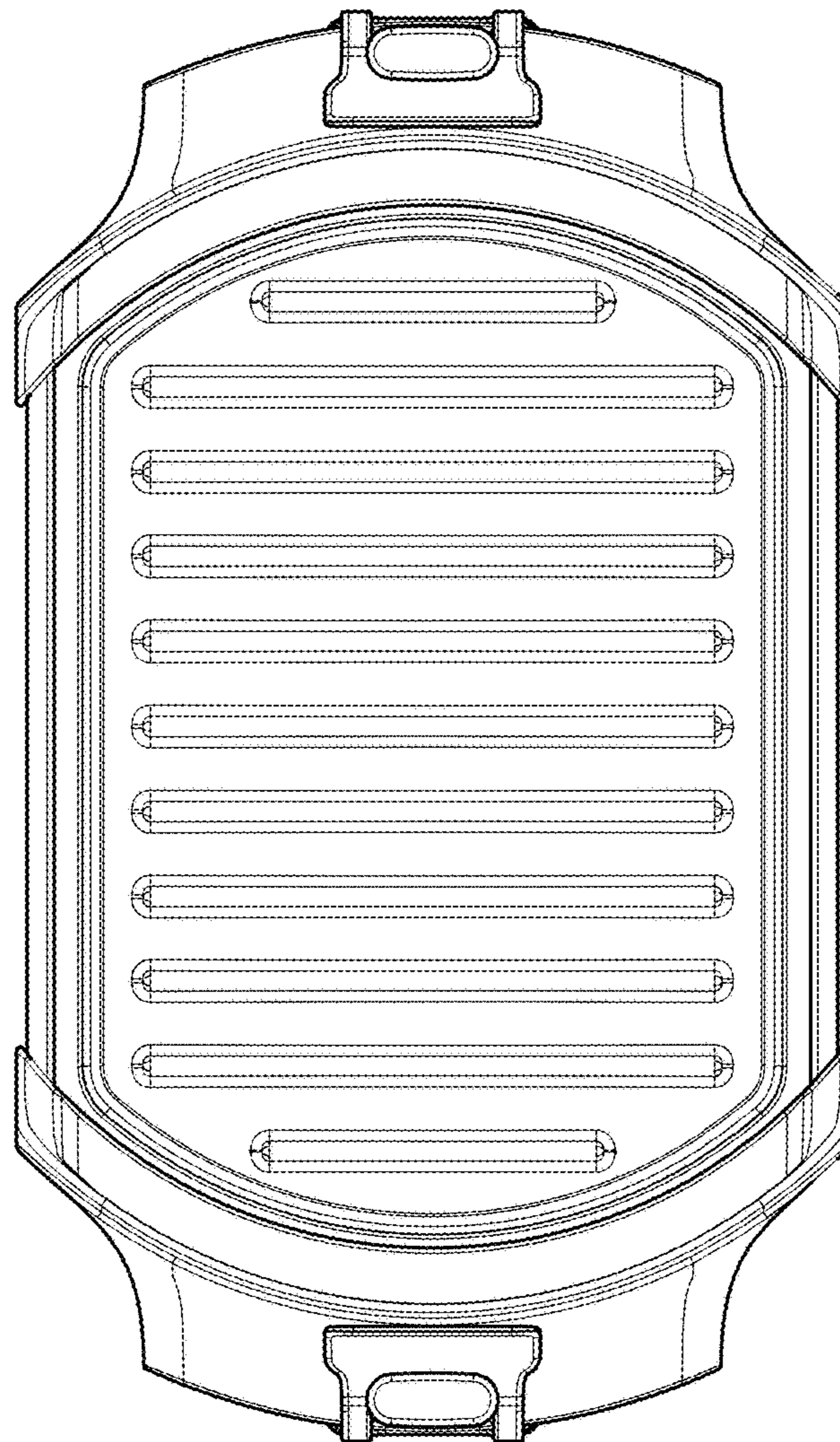


Fig. 8

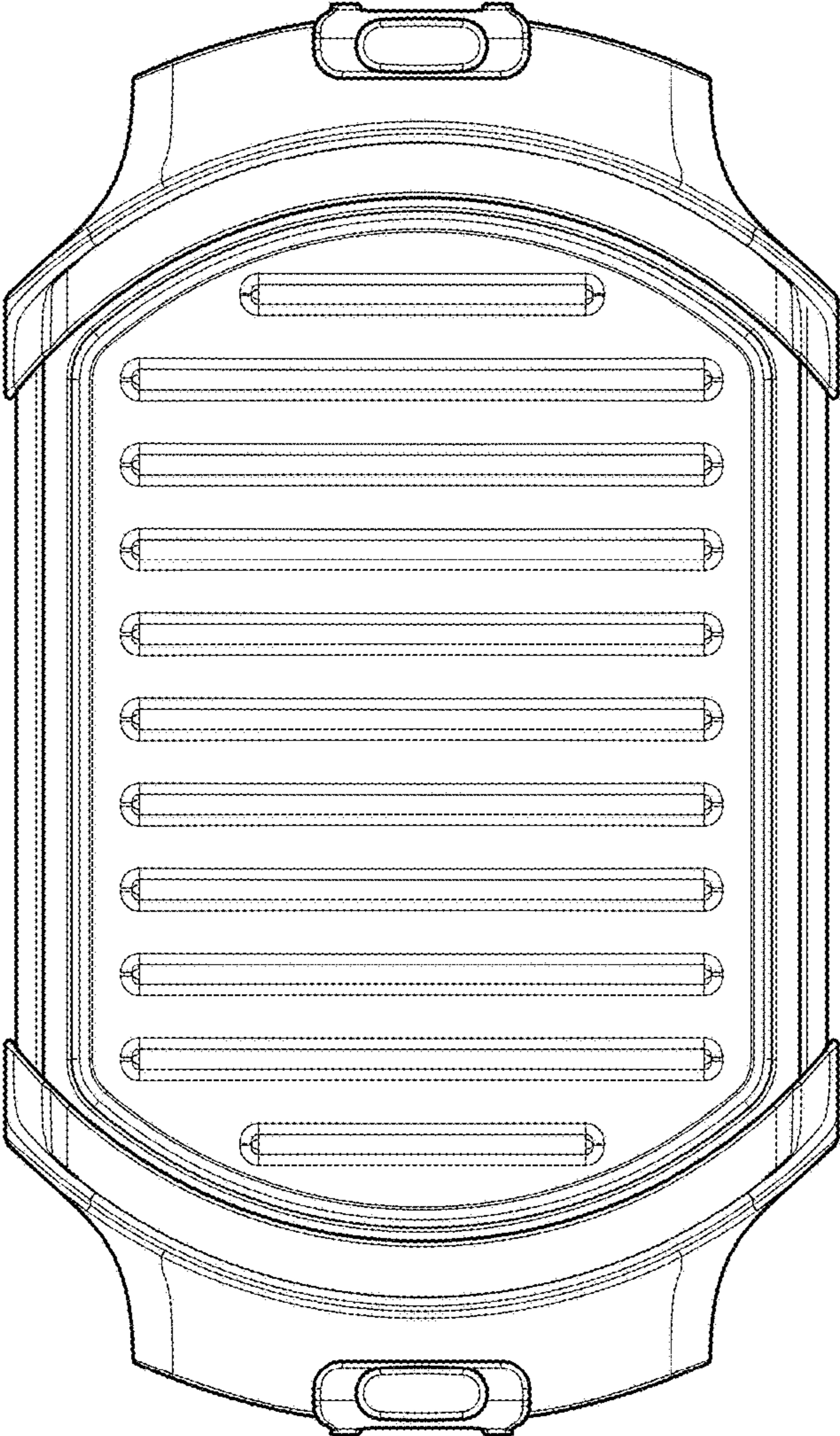


Fig. 9

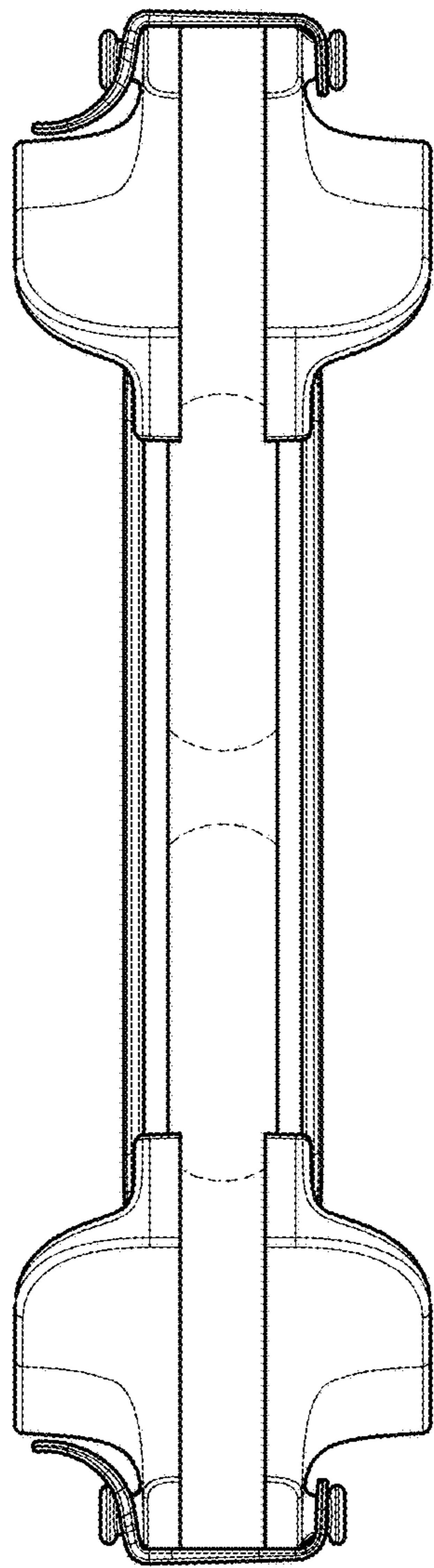


Fig. 10

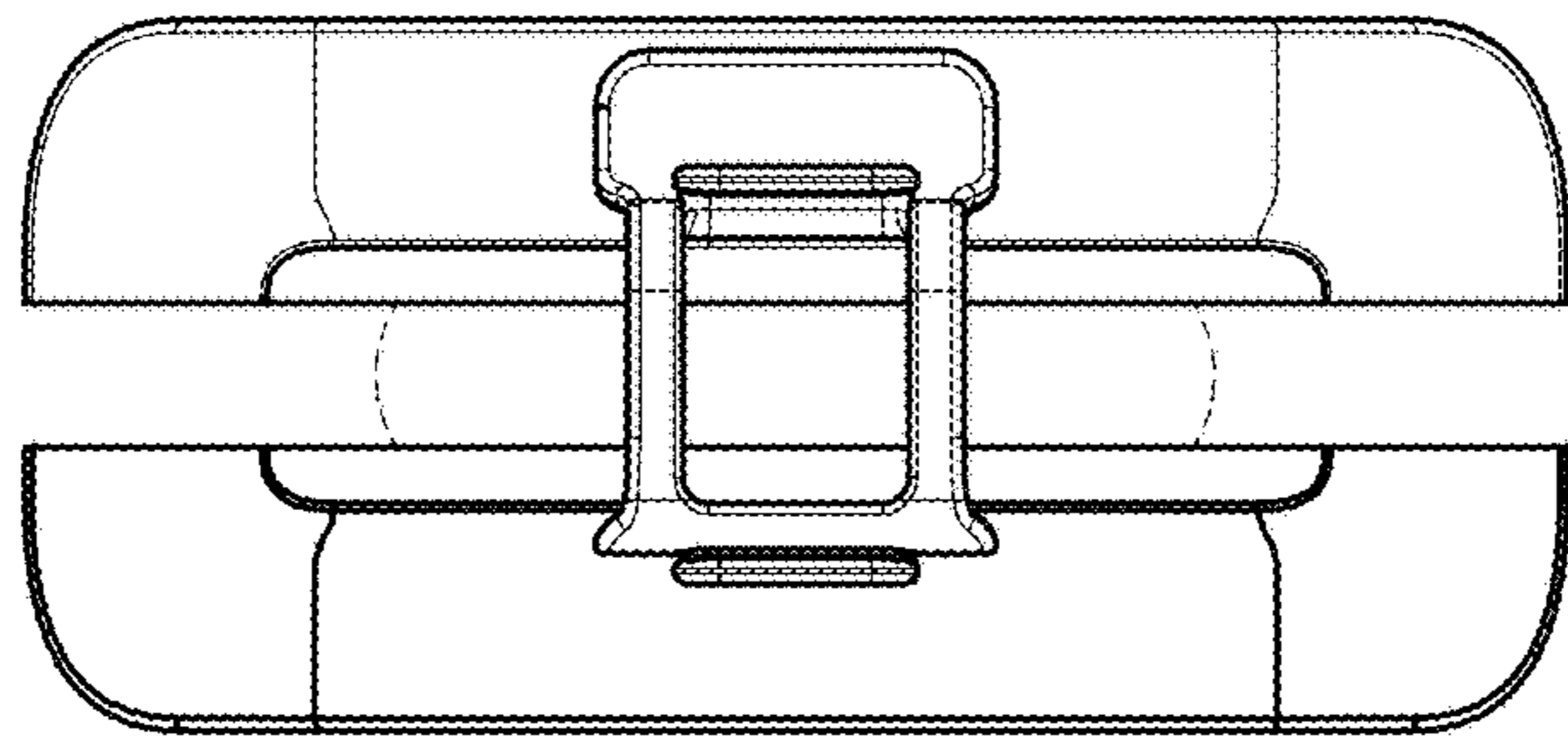


Fig. 11