



US00D858174S

(12) **United States Design Patent**  
**Wiggins et al.**

(10) **Patent No.:** **US D858,174 S**

(45) **Date of Patent:** **\*\* Sep. 3, 2019**

(54) **MICROWAVE BAKING DEVICE**

(71) Applicant: **Dart Industries Inc.**, Orlando, FL (US)

(72) Inventors: **James Michael Wiggins**, Pleasant Hill, CA (US); **Johan Carrette**, Brussels (BE); **Nathalie Roiret**, Villepreux (FR)

(73) Assignee: **Dart Industries Inc.**, Orlando, FL (US)

(\*\*) Term: **15 Years**

(21) Appl. No.: **29/646,003**

(22) Filed: **May 1, 2018**

(51) **LOC (12) Cl.** ..... **07-02**

(52) **U.S. Cl.**  
USPC ..... **D7/354**

(58) **Field of Classification Search**  
USPC ..... D3/294, 302, 323; D7/323, 354-361, D7/543, 545, 549, 550.1, 553.1-553.8, D7/554.1-554.4, 555, 584, 586, 605, 629, D7/698; D9/430-433, 455-456, 737, D9/756-762  
CPC .... A21B 3/00; A21B 3/13; A21B 3/15; A21B 3/134; A21B 5/00; A21B 5/02; A47J 36/022; A47J 36/025; A47J 36/027; A47J 37/00; A47J 37/04; B65D 1/22; B65D 1/24; B65D 1/34; B65D 1/36; B65D 81/343; B65D 85/36

See application file for complete search history.

(56) **References Cited**

**U.S. PATENT DOCUMENTS**

D325,323 S \* 4/1992 Kahl ..... D7/605  
D329,747 S \* 9/1992 Embree ..... D3/272  
D332,204 S \* 1/1993 Carlson ..... D7/629

D373,953 S \* 9/1996 Gale ..... D3/302  
D390,703 S \* 2/1998 Haley ..... D3/323  
D408,631 S \* 4/1999 Dickinson ..... D3/273  
D411,446 S \* 6/1999 Cautereels ..... D9/424  
D437,686 S \* 2/2001 Balzar ..... D3/302  
D479,955 S \* 9/2003 Samartgis ..... D7/629  
D634,970 S \* 3/2011 Pallotto  
D657,203 S \* 4/2012 Pallotto ..... D7/629  
D661,943 S \* 6/2012 Pallotto ..... D7/354  
D731,847 S \* 6/2015 Arregui Letamendi ..... D7/354  
D739,691 S \* 9/2015 de Groote ..... D7/698

\* cited by examiner

*Primary Examiner* — Ricky Pham

(74) *Attorney, Agent, or Firm* — Taylor J. Ross

(57) **CLAIM**

The ornamental design for a microwave baking device, as shown and described.

**DESCRIPTION**

This application is related to co-pending Ser. No. 15/967, 725, filed May 1, 2018, which is incorporated herein by reference.

FIG. 1 is a top, front and left side isometric view of a microwave baking device showing our new design;

FIG. 2 is a bottom, left and rear isometric view thereof;

FIG. 3 is a top plan view thereof;

FIG. 4 is a bottom plan view thereof;

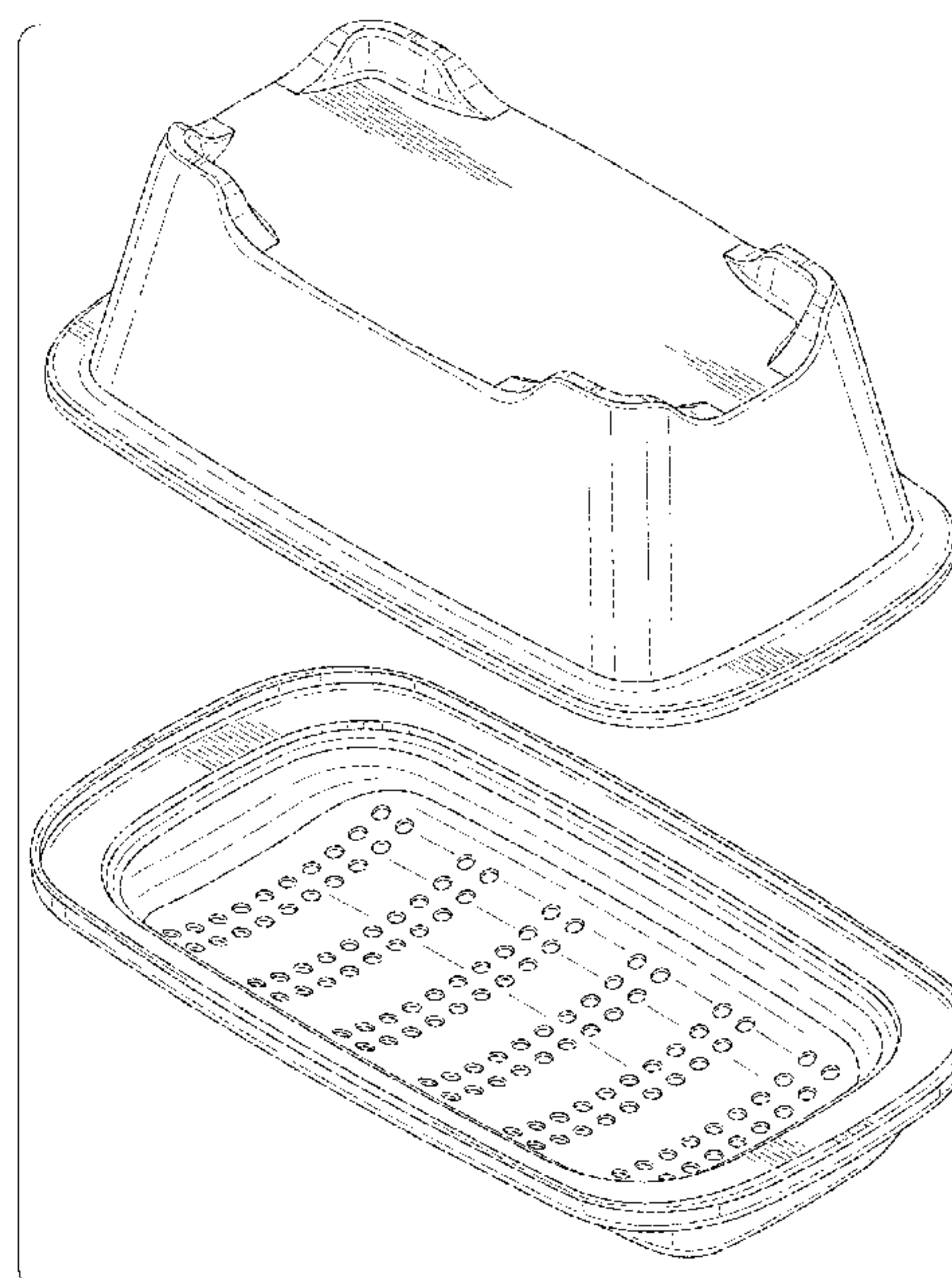
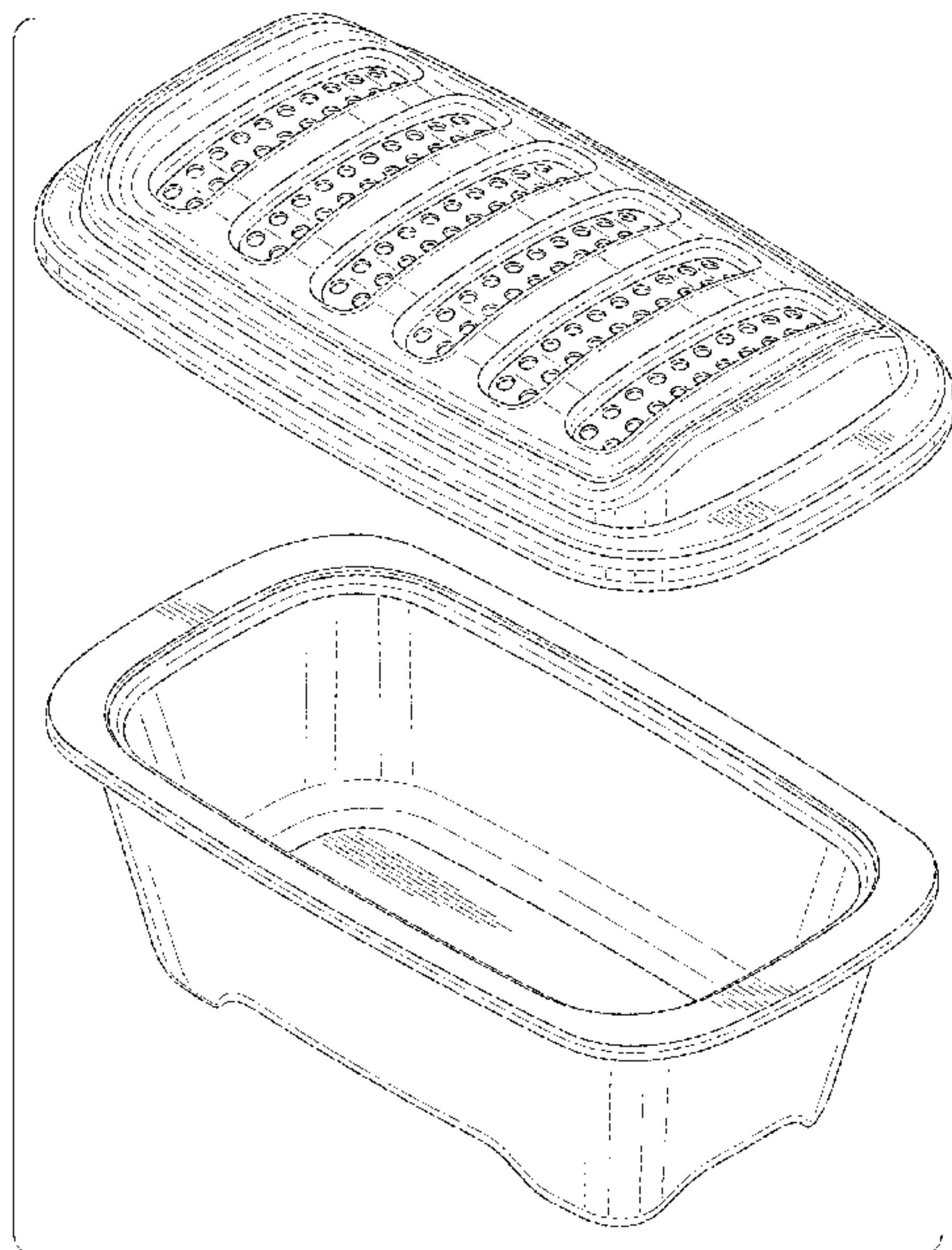
FIG. 5 is a front elevation view, the rear elevation being identical thereto;

FIG. 6 is a right side elevation view, the left side being identical thereto;

FIG. 7 is a top, front and left side exploded view of the microwave baking device of FIG. 1; and,

FIG. 8 is a bottom, rear and left side exploded view thereof.

**1 Claim, 5 Drawing Sheets**





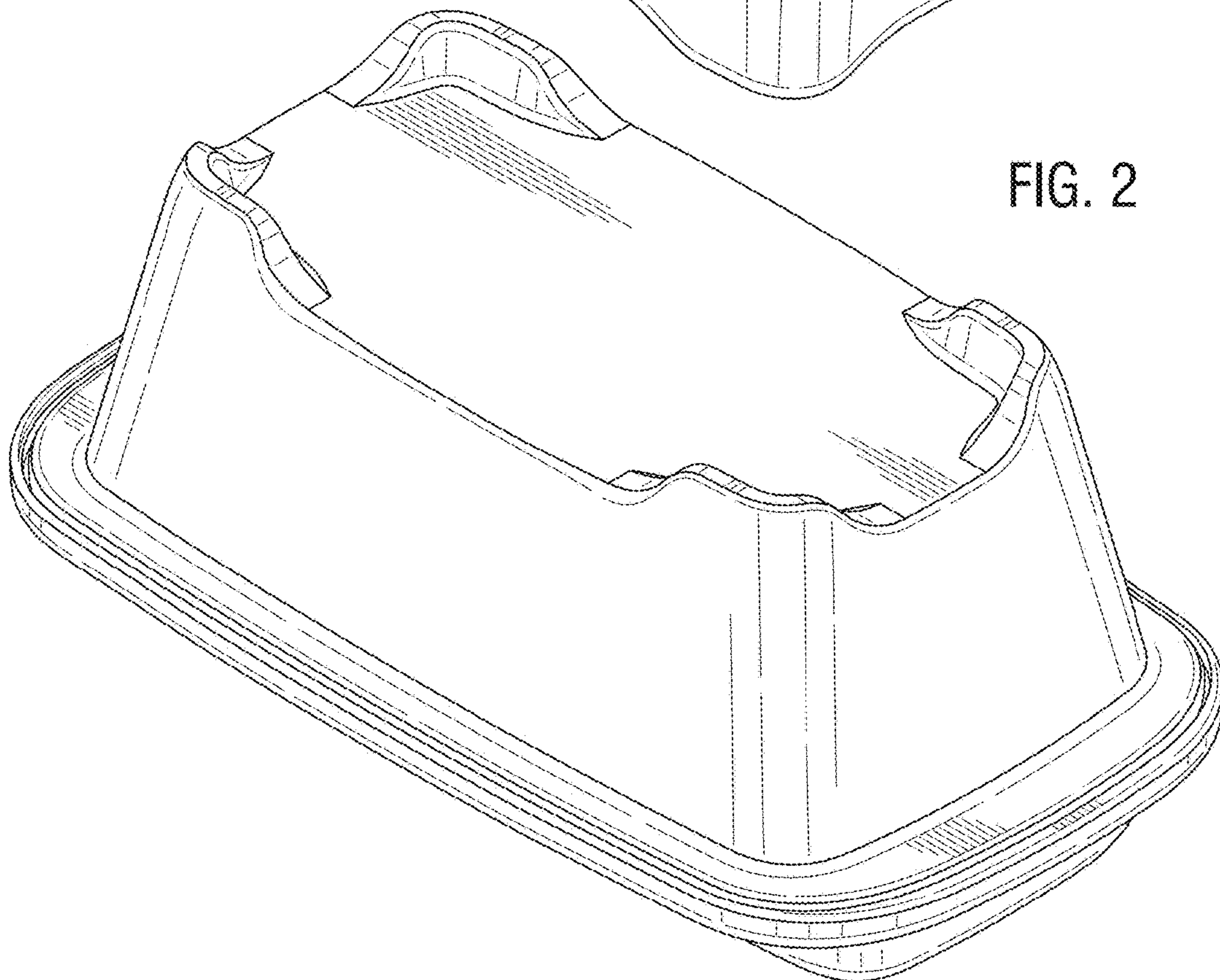
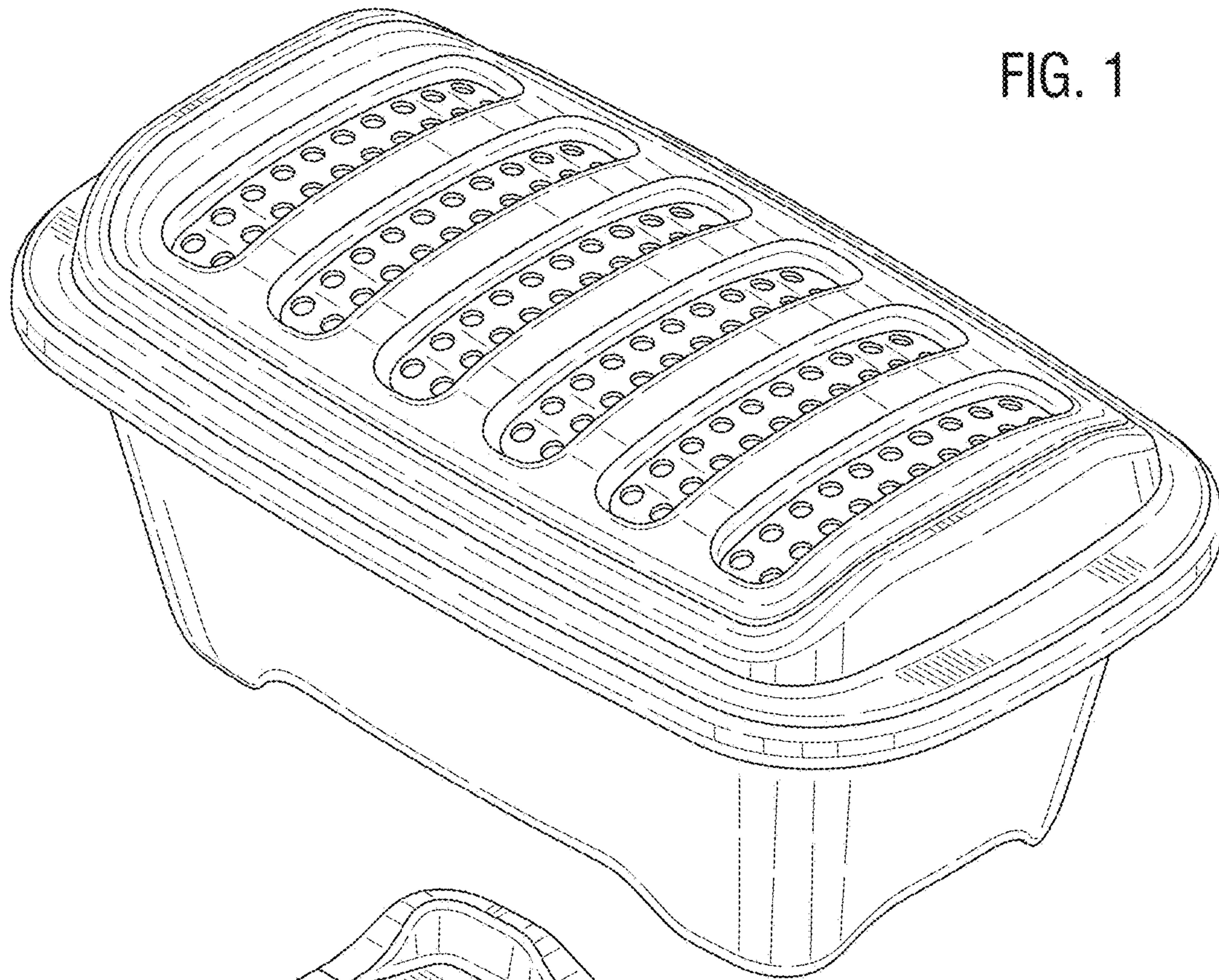


FIG. 3

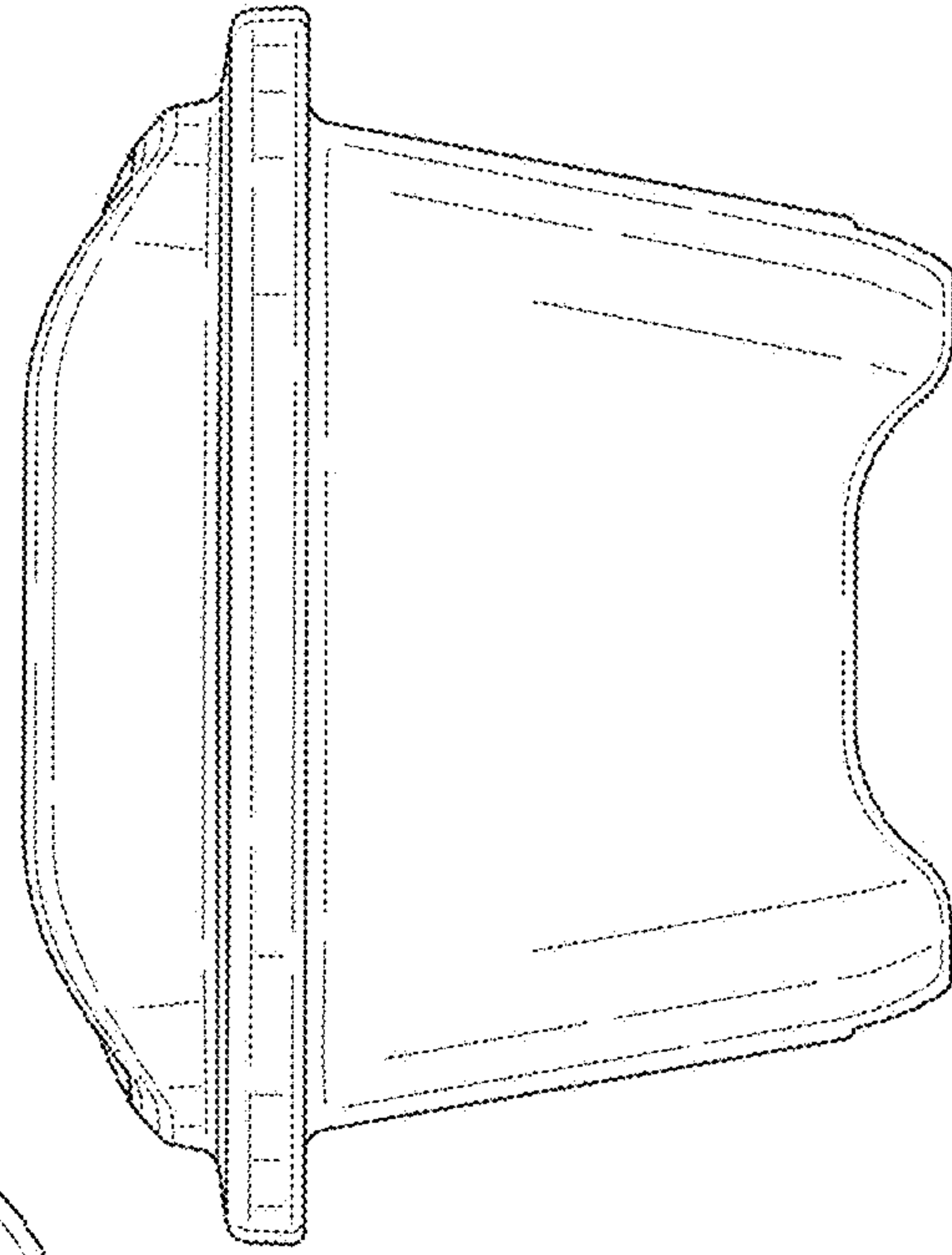
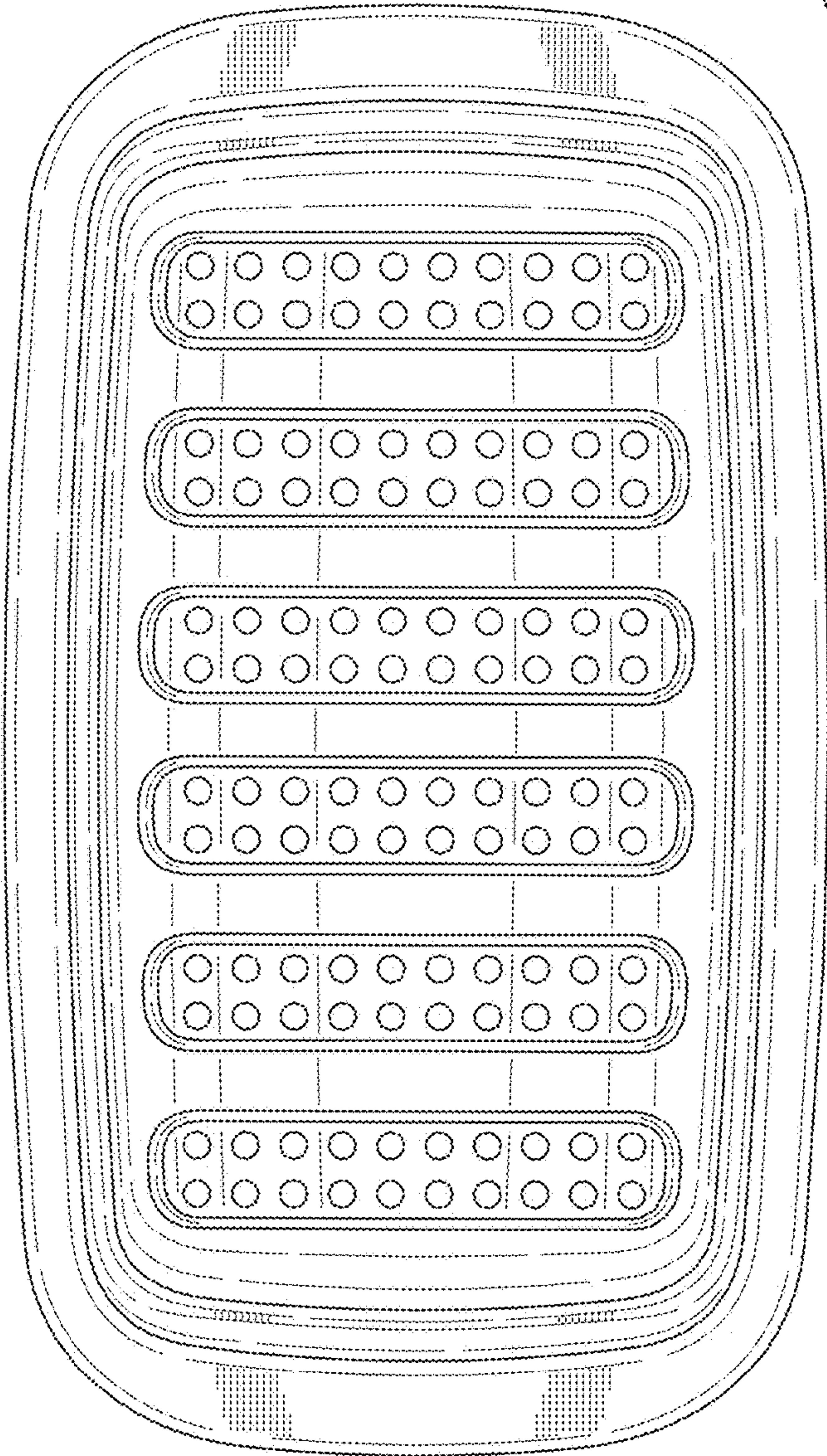


FIG. 6



FIG. 4

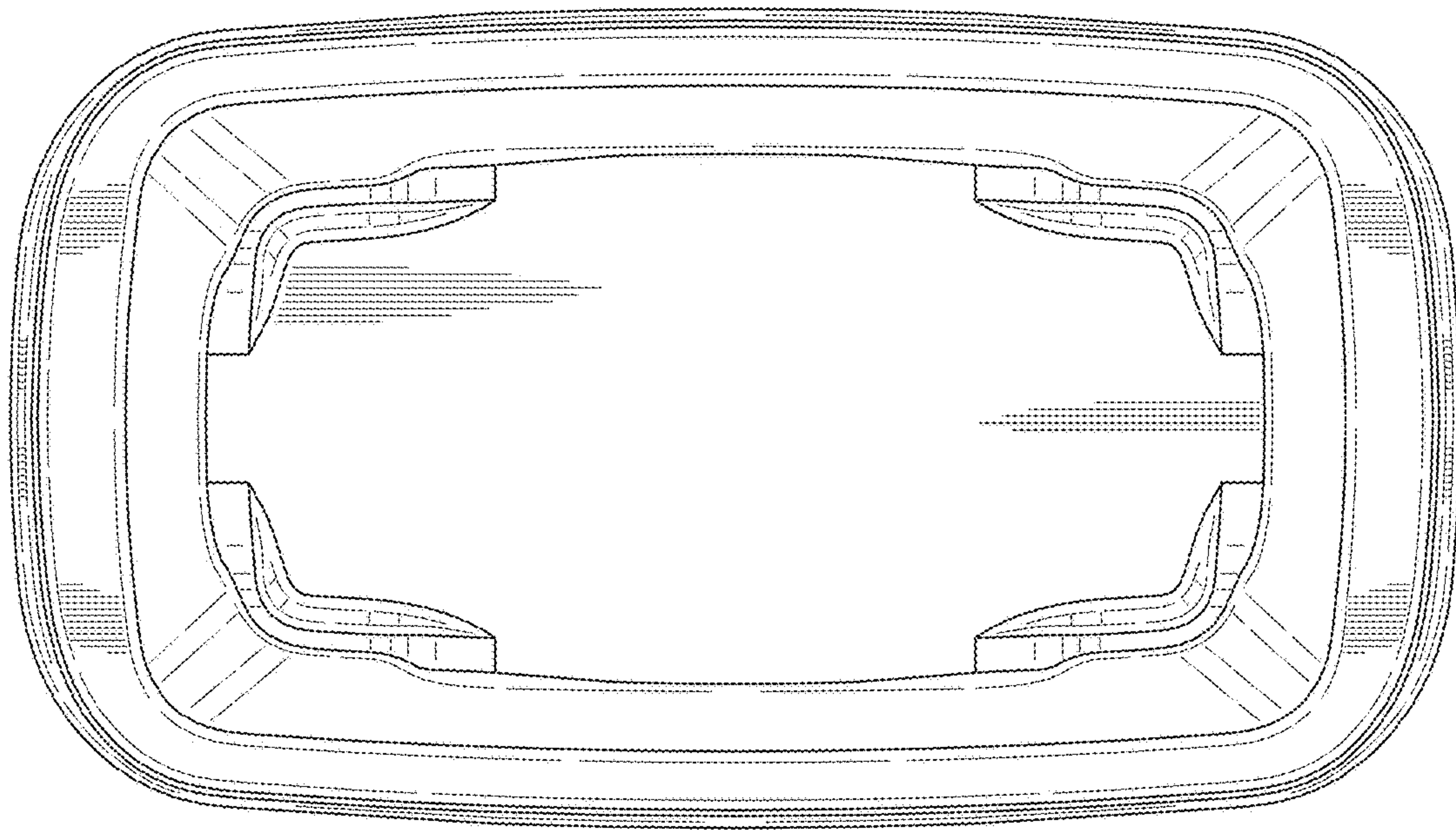


FIG. 5

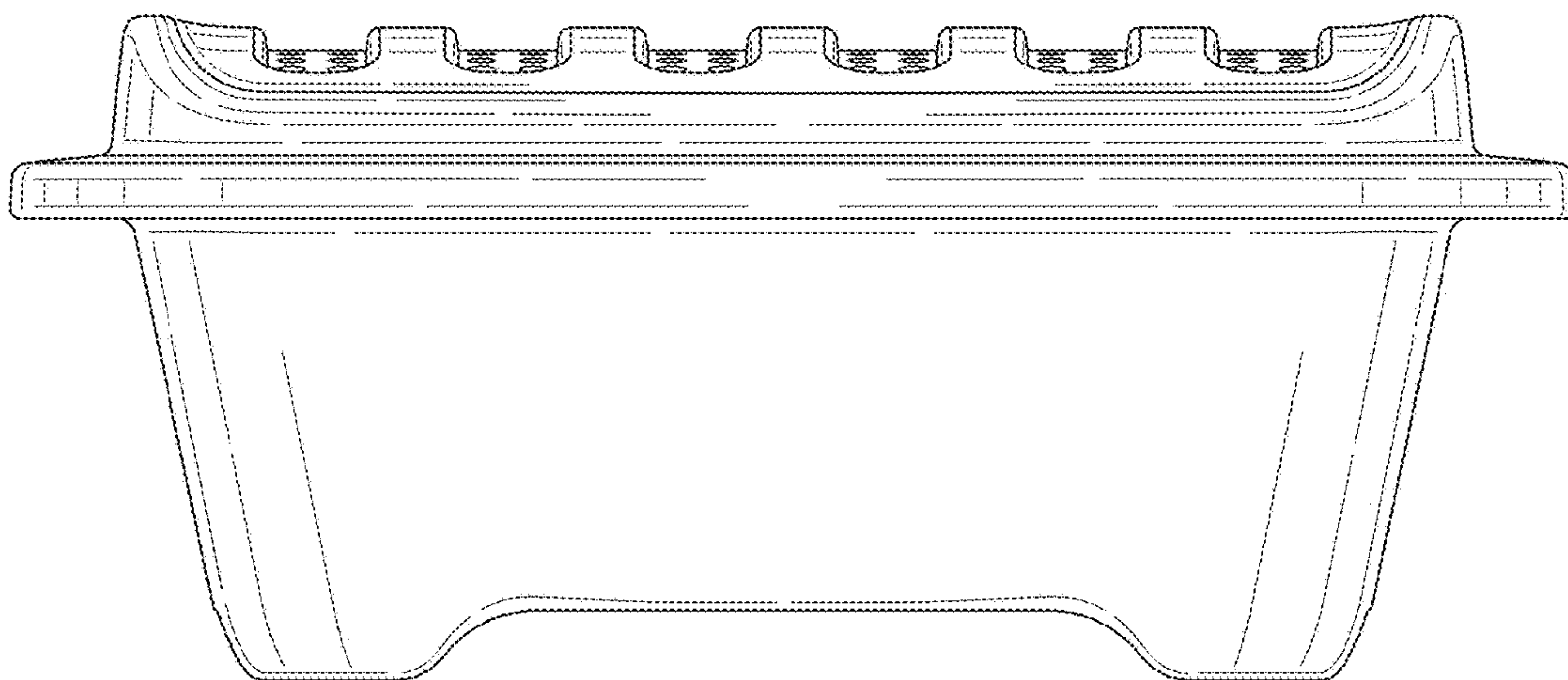


FIG. 7

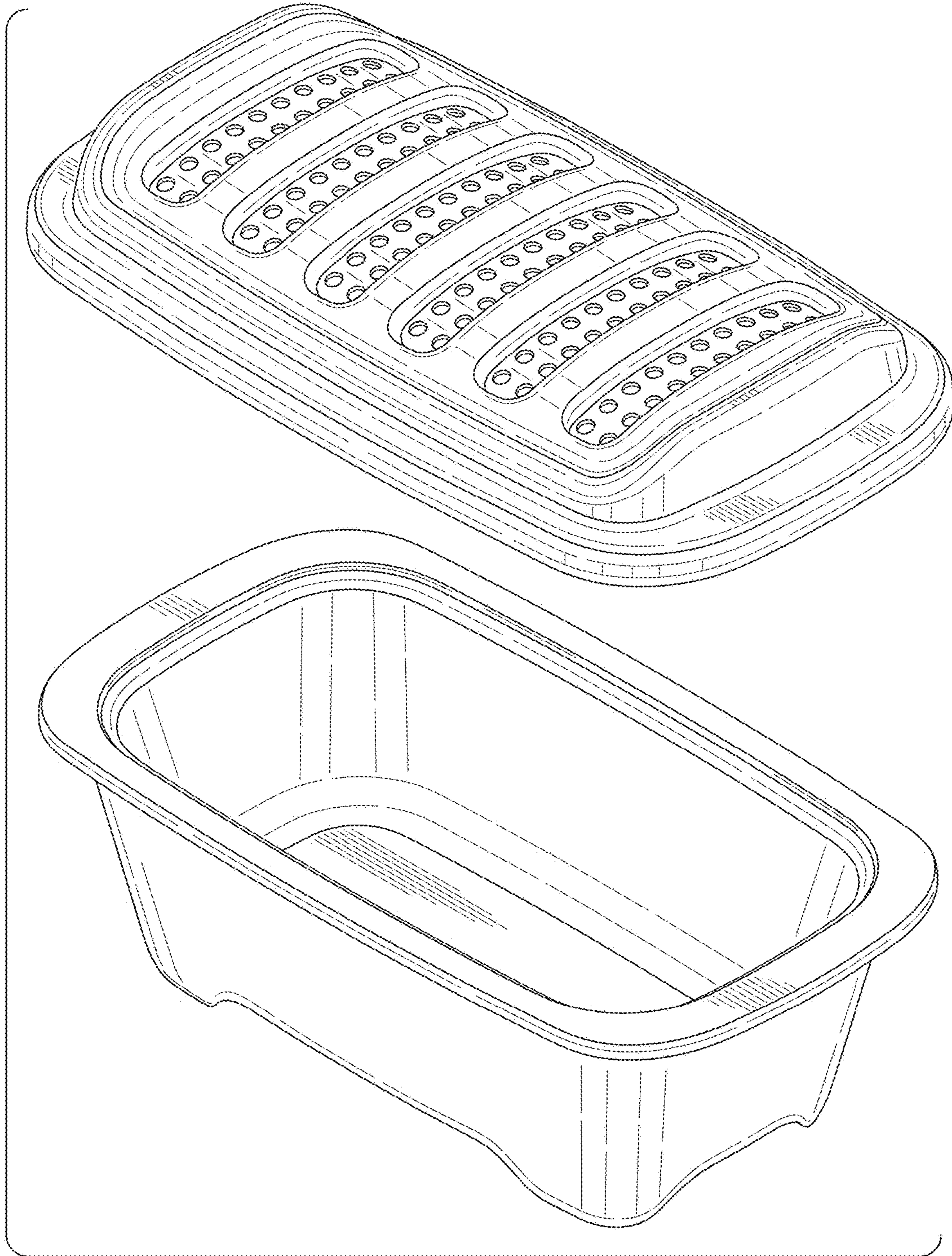




FIG. 8

