



US00D858172S

(12) **United States Design Patent**
Moore

(10) **Patent No.:** **US D858,172 S**

(45) **Date of Patent:** **** Sep. 3, 2019**

- (54) **TABLE TOP DOUBLE OVEN**
- (71) Applicant: **Sandra Faye Moore**, Asheville, NC
(US)
- (72) Inventor: **Sandra Faye Moore**, Asheville, NC
(US)
- (**) Term: **15 Years**
- (21) Appl. No.: **29/653,345**
- (22) Filed: **Jun. 14, 2018**
- (51) **LOC (12) Cl.** **07-02**
- (52) **U.S. Cl.**
USPC **D7/348**
- (58) **Field of Classification Search**
USPC D7/323, 328-330, 348, 349, 350.1, 351,
D7/390
CPC ... A21B 2/00; A47J 37/00; A47J 37/06; A47J
37/0611; A47J 37/08; A47J 37/0807;
A47J 37/0814; A47J 37/0835; A47J
37/0842; A47J 37/085; A47J 37/0864;
A47J 37/0878; A47J 37/0885; A47J
37/0892; F24C 15/10; F24C 15/102
See application file for complete search history.

- D540,613 S * 4/2007 Jeon D7/350.1
- D560,958 S * 2/2008 Shin D7/348
- D587,959 S * 3/2009 Hensel D7/350.1
- D663,156 S * 7/2012 Curtis D7/350.1
- D673,000 S * 12/2012 De' Longhi D7/350.1
- D736,554 S * 8/2015 Steiner D7/350.1
- D785,399 S * 5/2017 Funnell, II D7/349
- D788,514 S * 6/2017 Bock D7/329
- D795,000 S * 8/2017 De' Longhi D7/350.1

* cited by examiner

Primary Examiner — Ricky Pham

(74) *Attorney, Agent, or Firm* — The Van Winkle Law Firm; William G. Heedy

(57) **CLAIM**

The ornamental design for a table top double oven, as shown and described.

DESCRIPTION

FIG. 1 is a perspective view of a table top double oven design;
 FIG. 2 is a front elevational view thereof;
 FIG. 3 is a rear elevational view thereof;
 FIG. 4 is a left side view thereof;
 FIG. 5 is a right side view thereof;
 FIG. 6 is a top plan view thereof;
 FIG. 7 is a bottom plan view thereof; and,
 FIG. 8 is a cross sectional view taken along line 8-8 of FIG. 2.

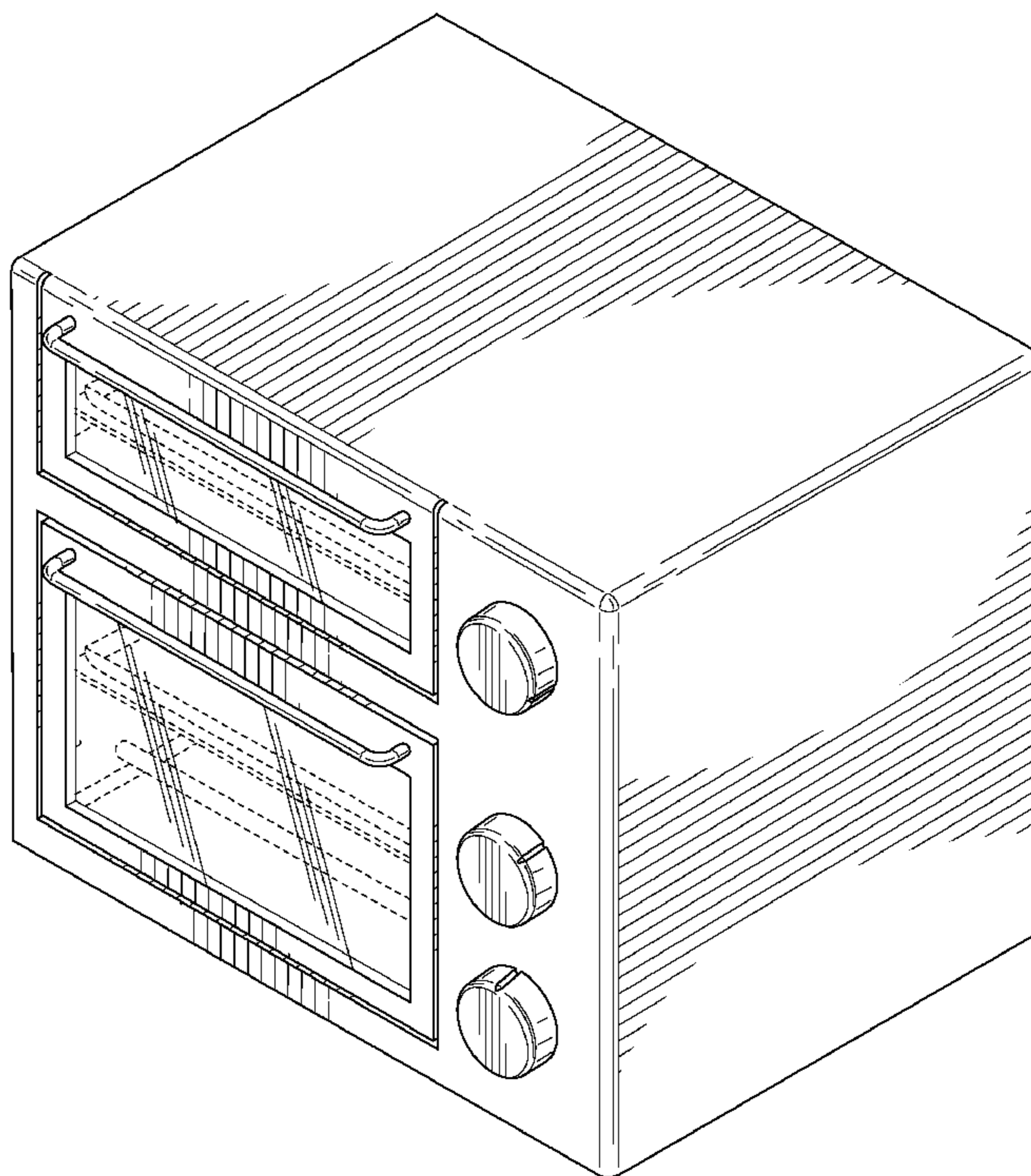
In the drawings, the broken lines showing heating elements, crumb trays, cooking trays and supporting racks form no part of the claimed design.

1 Claim, 8 Drawing Sheets

(56) **References Cited**

U.S. PATENT DOCUMENTS

- D234,667 S * 4/1975 Linder D7/351
- D268,079 S * 3/1983 Miyake D7/351
- D330,144 S * 10/1992 Takebata D7/351
- D527,572 S * 9/2006 Lee D7/350.1



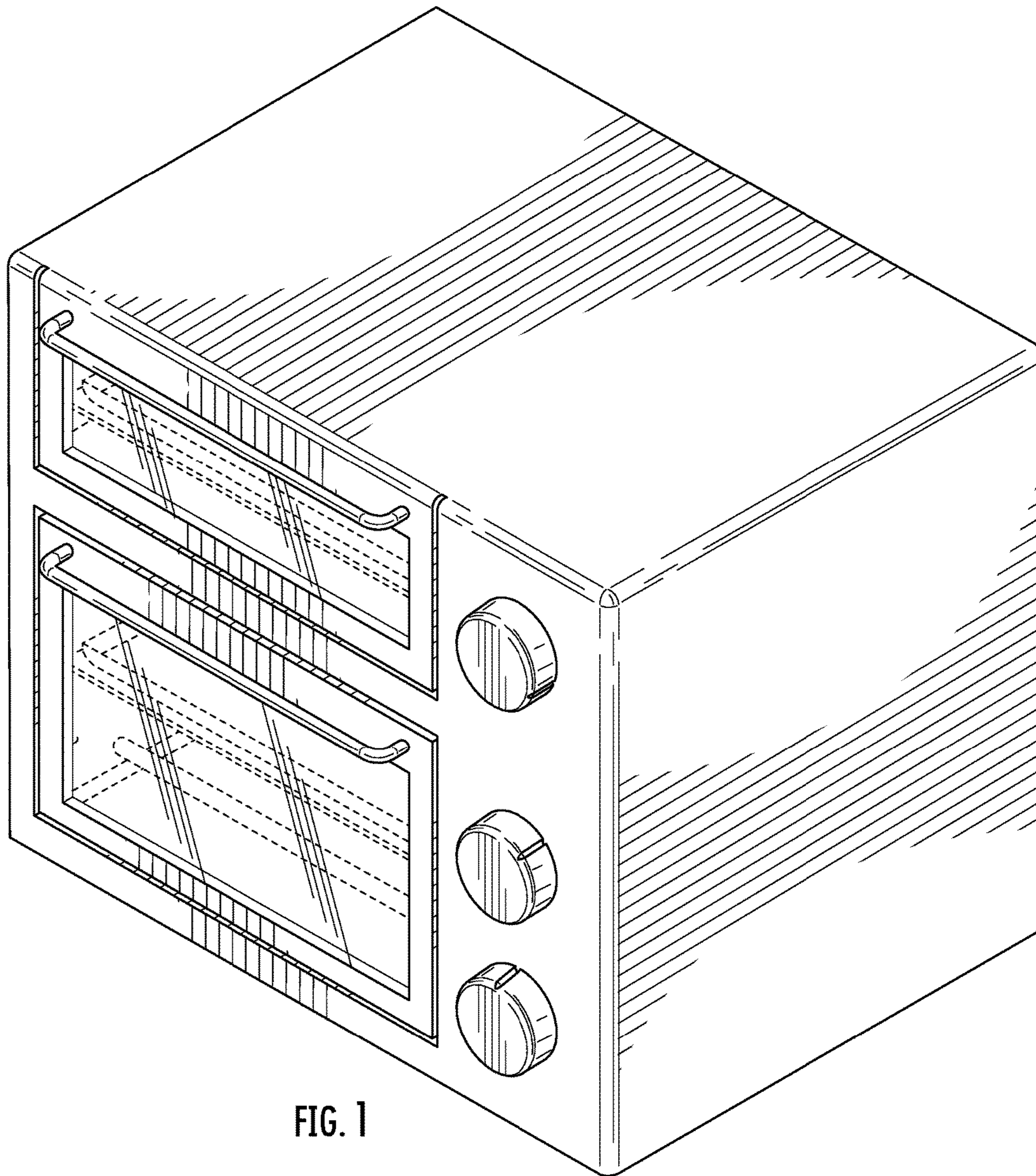


FIG. 1

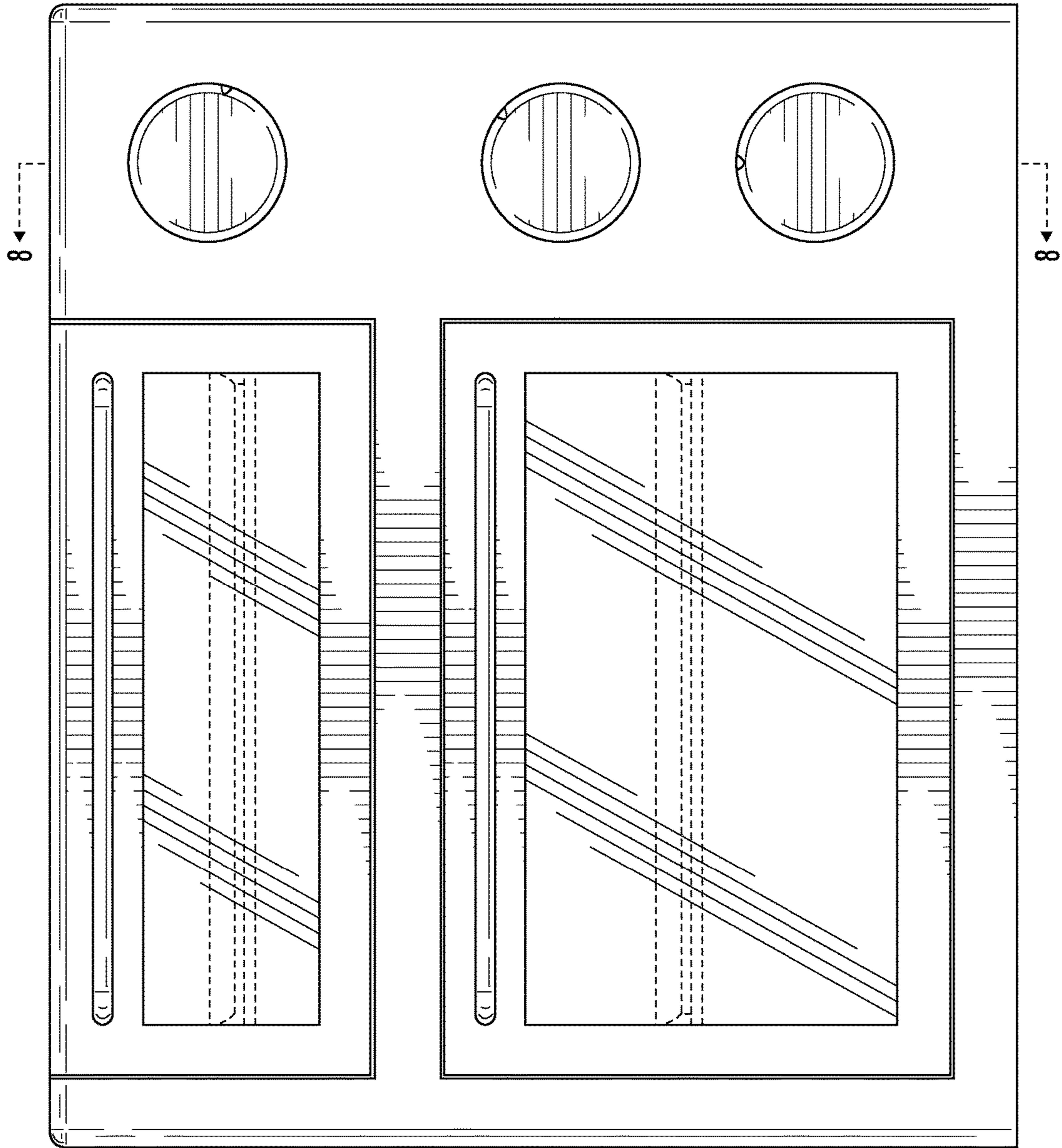


FIG. 2

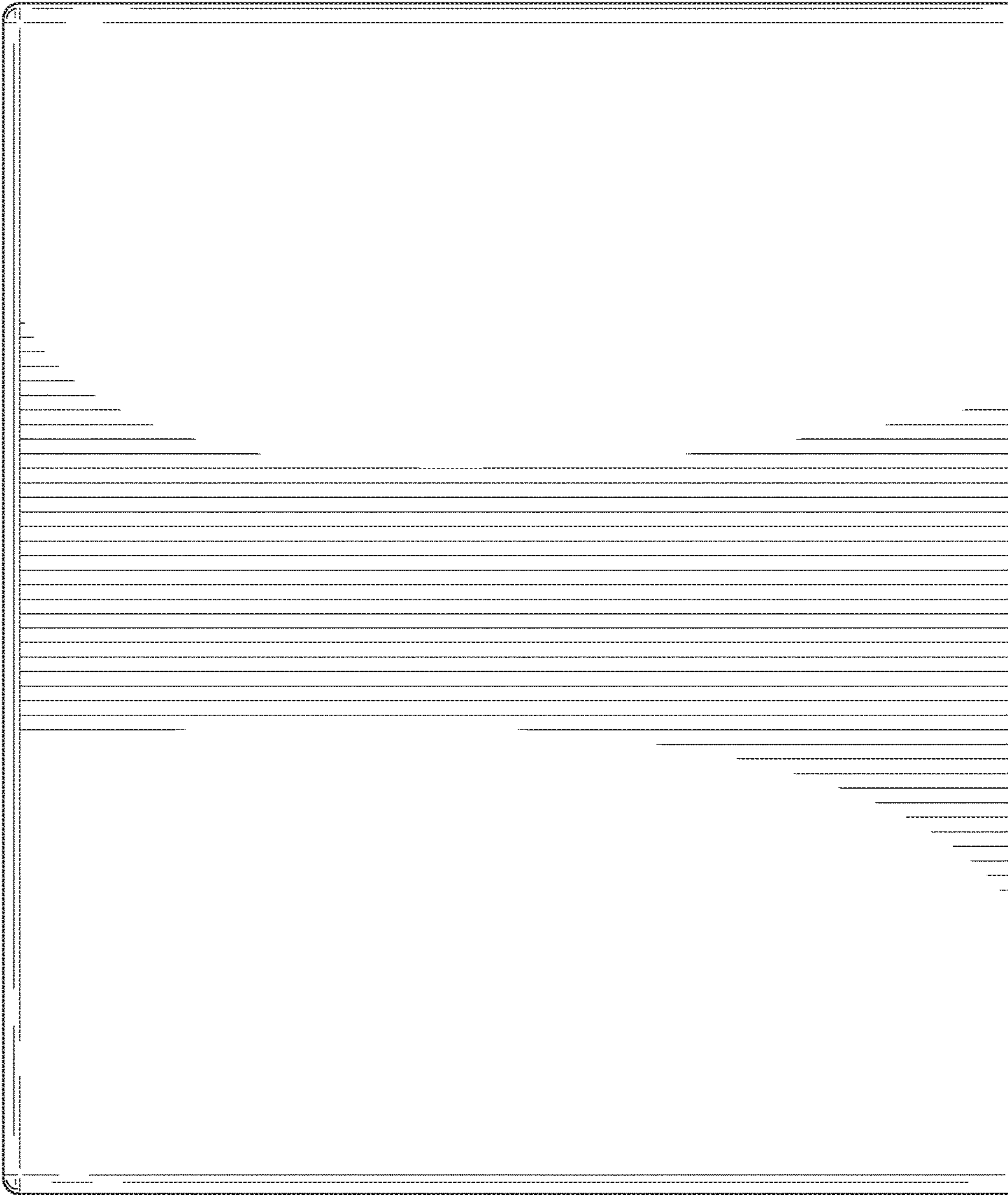


FIG. 3

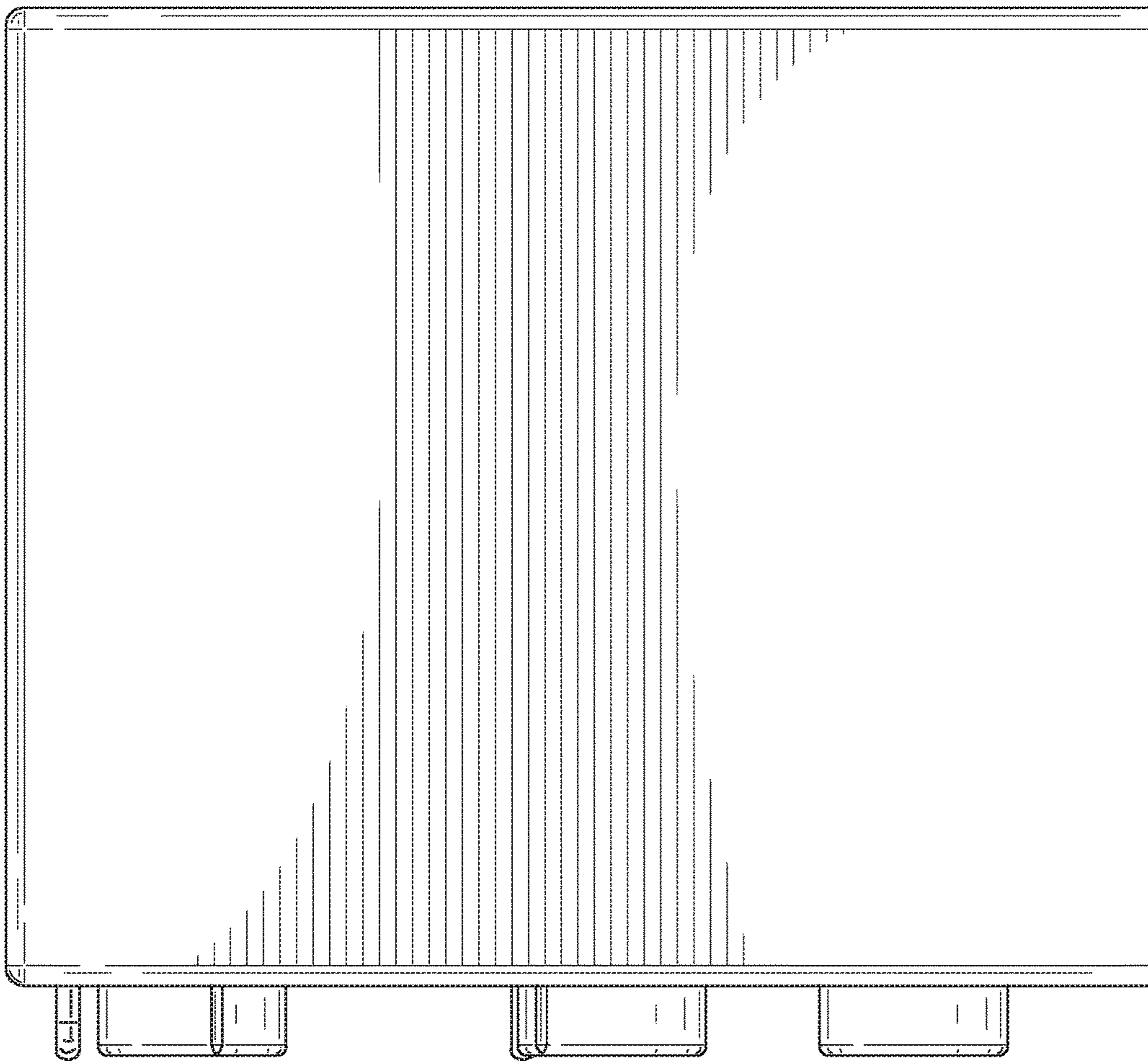


FIG. 4

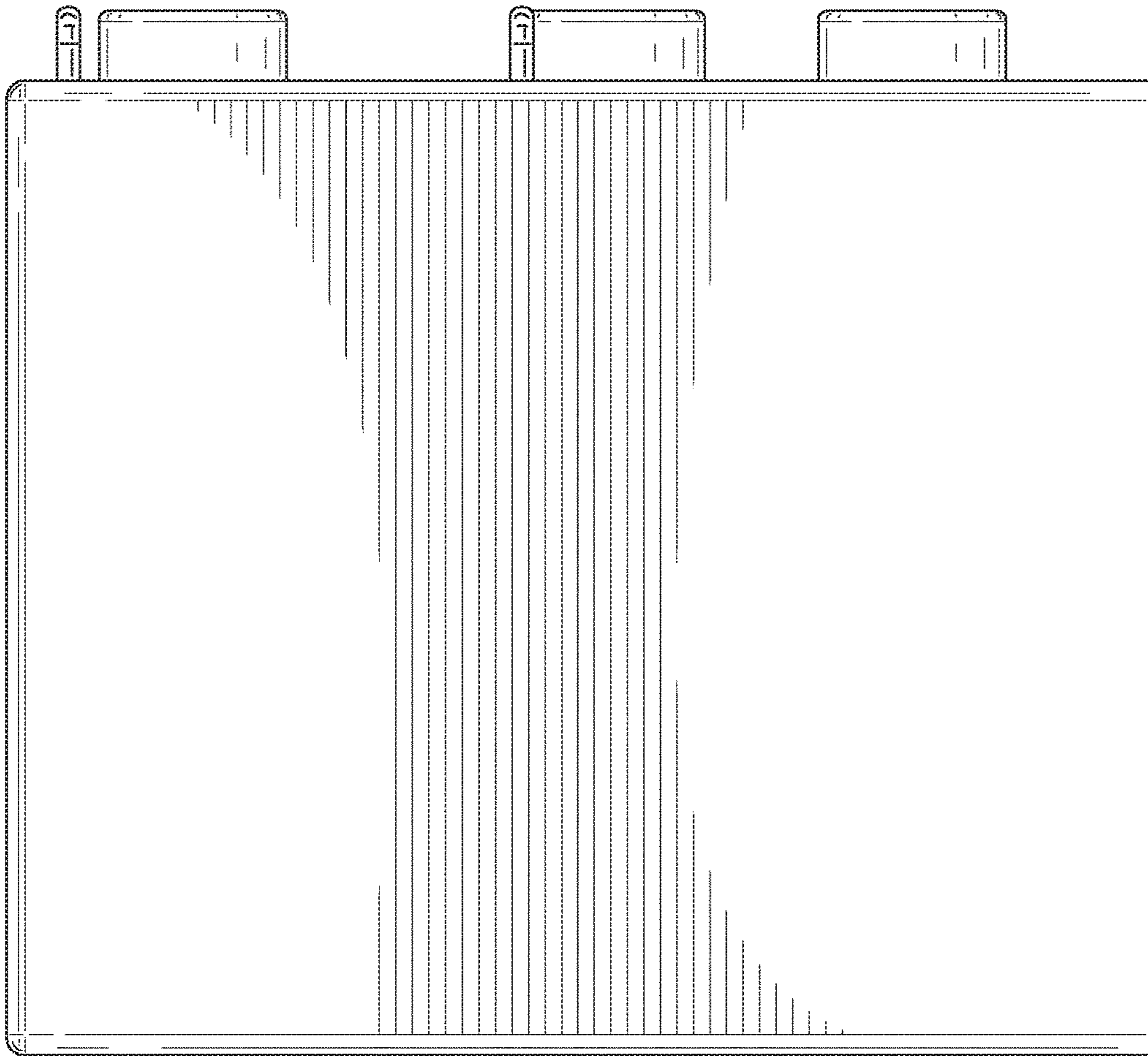


FIG. 5

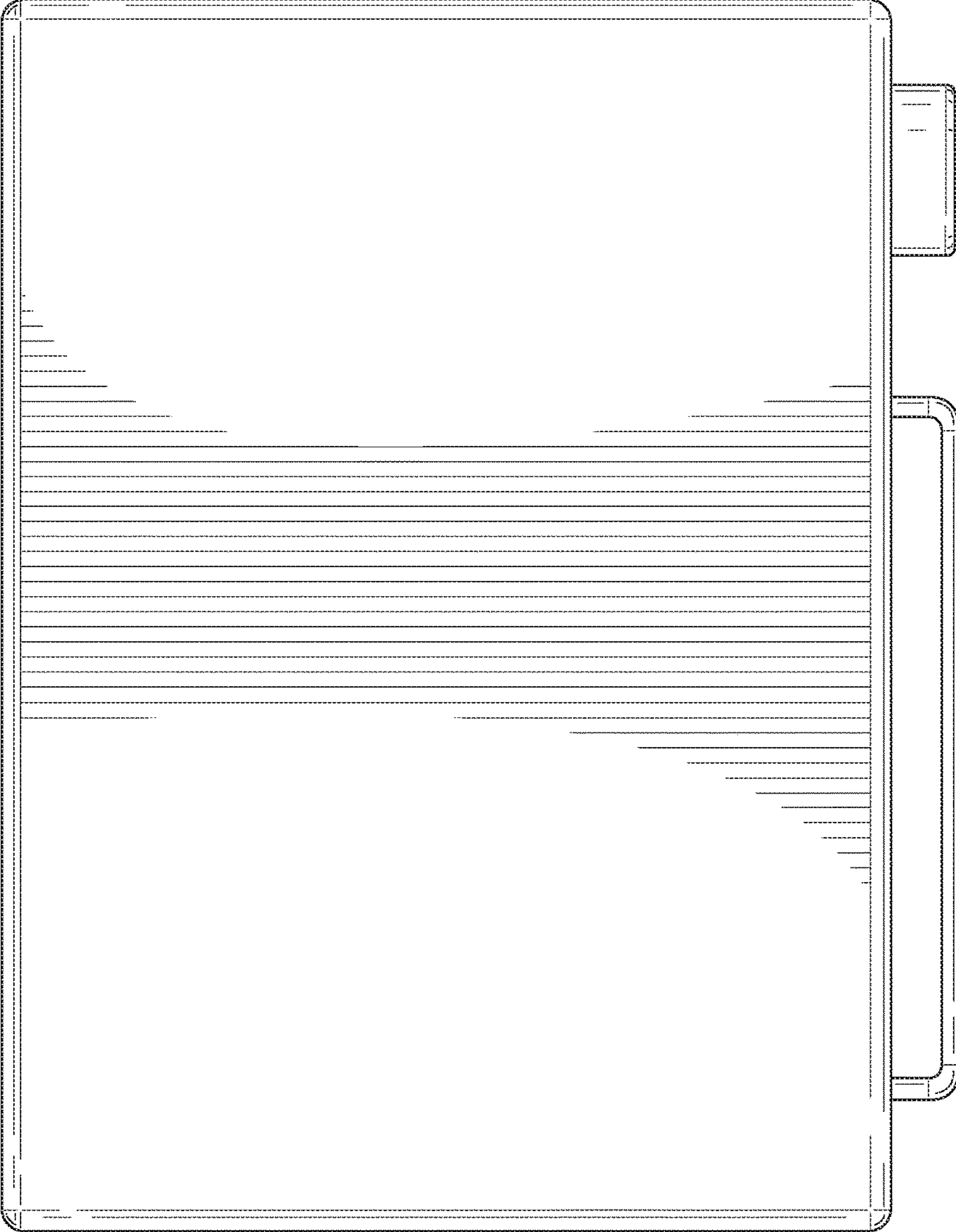


FIG. 6

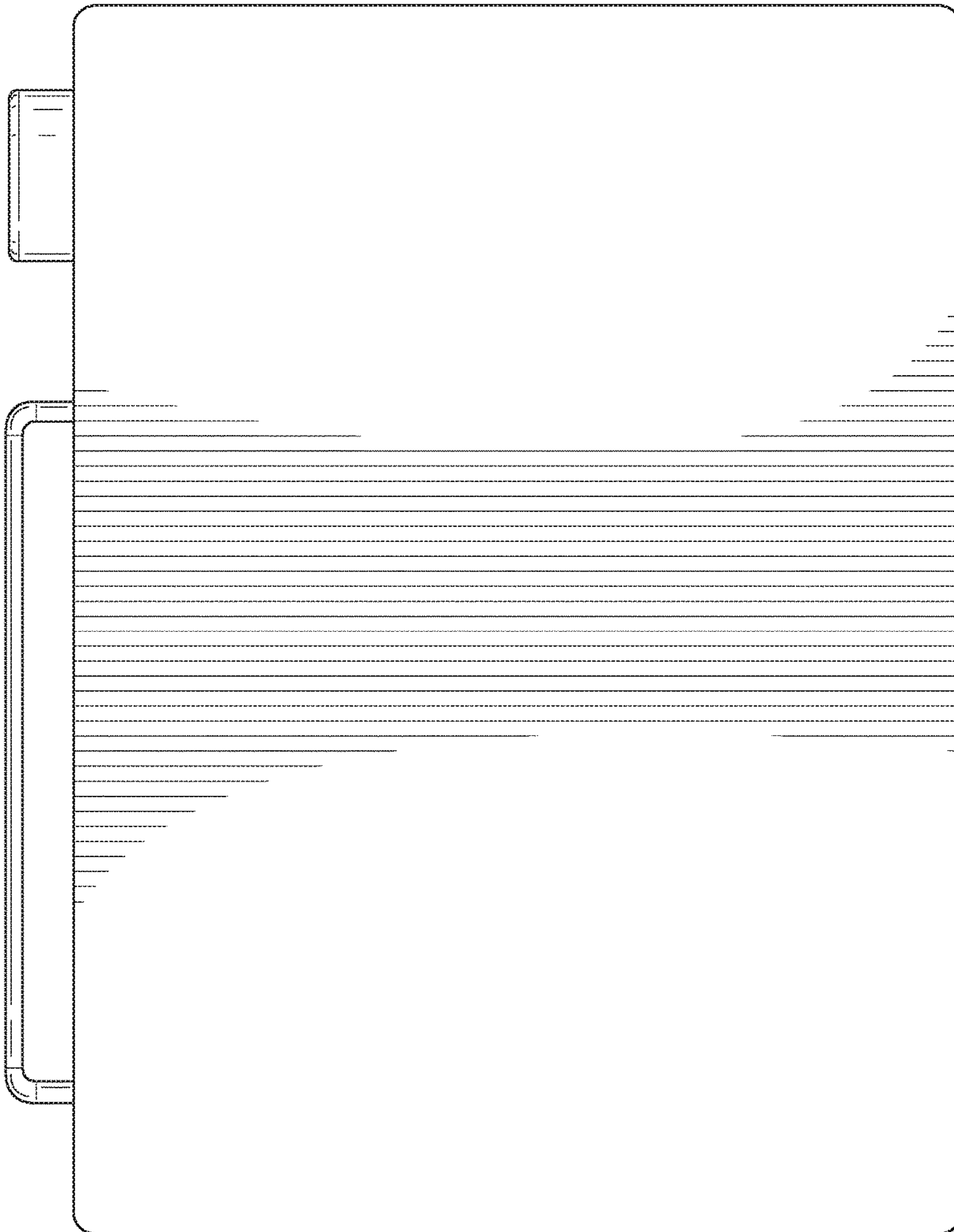


FIG. 7

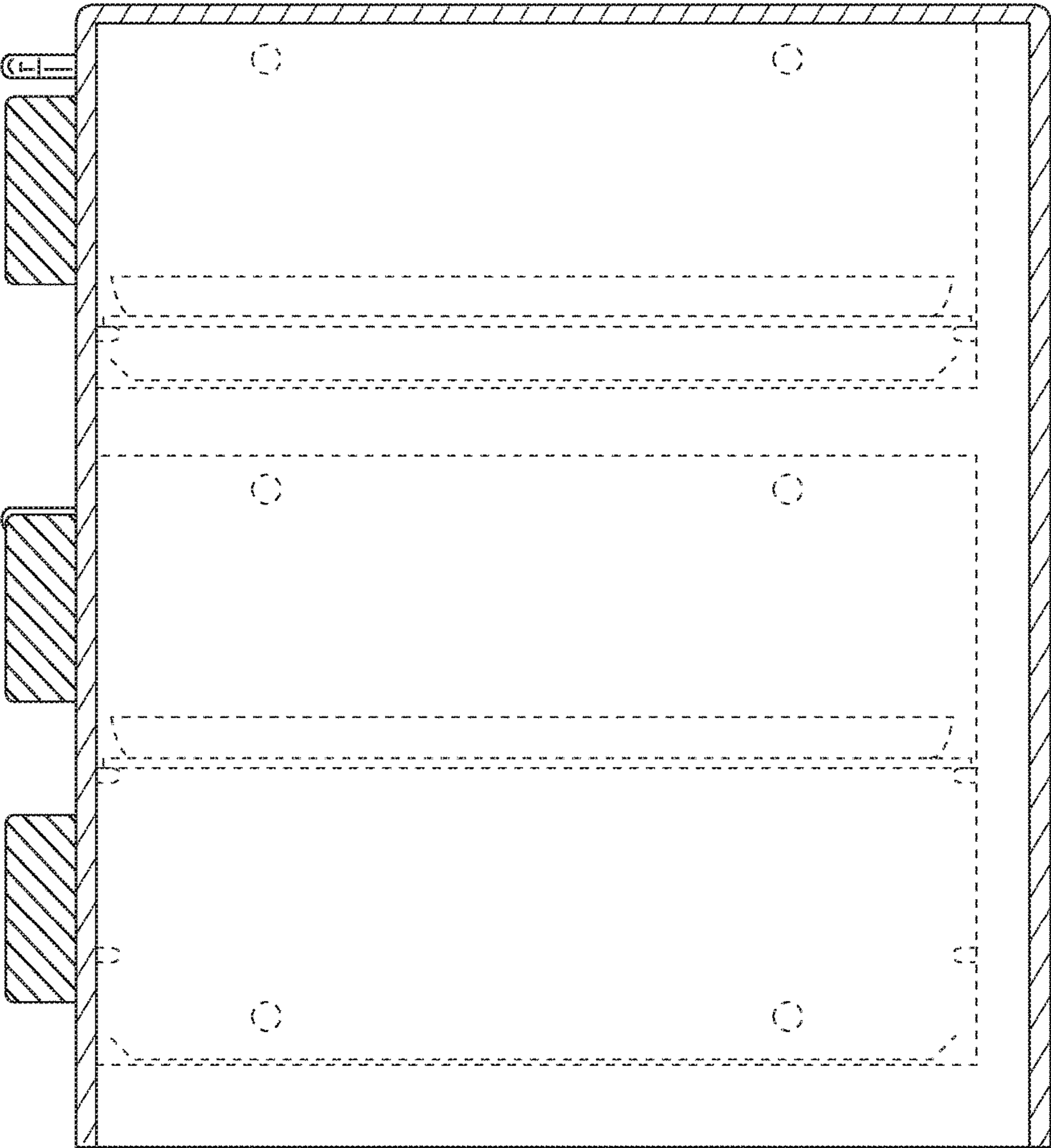


FIG. 8