



US00D858171S

(12) **United States Design Patent** (10) **Patent No.:** **US D858,171 S**  
**Kim et al.** (45) **Date of Patent:** **\*\* Sep. 3, 2019**

(54) **INDUCTION COOKER**

D509,095 S \* 9/2005 Grutzke ..... D7/346  
D509,096 S \* 9/2005 Grutzke ..... D7/346  
D509,097 S \* 9/2005 Grutzke ..... D7/346  
D509,988 S \* 9/2005 Grutzke ..... D7/346

(71) Applicant: **SAMSUNG ELECTRONICS CO., LTD.**, Suwon-si, Gyeonggi-do (KR)

(Continued)

(72) Inventors: **Jae-Jun Kim**, Seoul (KR);  
**Tae-Hyoung Cho**, Seoul (KR);  
**Ji-Chang Kang**, Seoul (KR); **Hye-Jin Yang**, Uiwang-si (KR); **Jong-Su Jeon**,  
Seoungnam-si (KR); **Hwan-Woong Choi**, Seoul (KR)

**FOREIGN PATENT DOCUMENTS**

DM 085378 12/2014  
DM 088039 5/2015

(Continued)

(73) Assignee: **SAMSUNG ELECTRONICS CO., LTD.**, Gyeonggi-Do (KR)

*Primary Examiner* — Ricky Pham

(74) *Attorney, Agent, or Firm* — Cantor Colburn LLP

(\*\*) Term: **15 Years**

(57) **CLAIM**

(21) Appl. No.: **29/643,590**

The ornamental design for an induction cooker, as shown and described.

(22) Filed: **Apr. 10, 2018**

**DESCRIPTION**

(30) **Foreign Application Priority Data**

Nov. 22, 2017 (KR) ..... 30-2017-0054591

(51) **LOC (12) Cl.** ..... **07-02**

(52) **U.S. Cl.**  
USPC ..... **D7/346**; D7/339; D7/340

(58) **Field of Classification Search**  
USPC ..... D7/323, 337, 339, 341, 346, 352,  
D7/354-355, 362-367, 402, 407, 409-411  
CPC ..... A21B 1/06; A21B 1/50; A21B 1/52; A47J  
37/04; A47J 37/06; A47J 37/015; A47J  
37/067; A47J 37/0611; A47J 37/0629;  
A47J 37/0676; C03C 17/38; F24C 7/06;  
F24C 7/083; F24C 15/02; F24C 15/166;  
H05B 3/20; H05B 3/40; H05B 6/1209  
See application file for complete search history.

FIG. 1 is a front perspective view of an induction cooker showing our new design;  
FIG. 2 is a front view thereof;  
FIG. 3 is a rear view thereof;  
FIG. 4 is a left-side view thereof;  
FIG. 5 is a right-side view thereof;  
FIG. 6 is a top plan view thereof;  
FIG. 7 is a bottom plan view thereof;  
FIG. 8 is an enlarged view of the rectangular portion 8 in FIG. 1;  
FIG. 9 is an enlarged view of the rectangular portion 9 in FIG. 1;  
FIG. 10 is an enlarged view of the rectangular portion 10 in FIG. 4; and,  
FIG. 11 is an enlarged view of the rectangular portion 11 in FIG. 5.

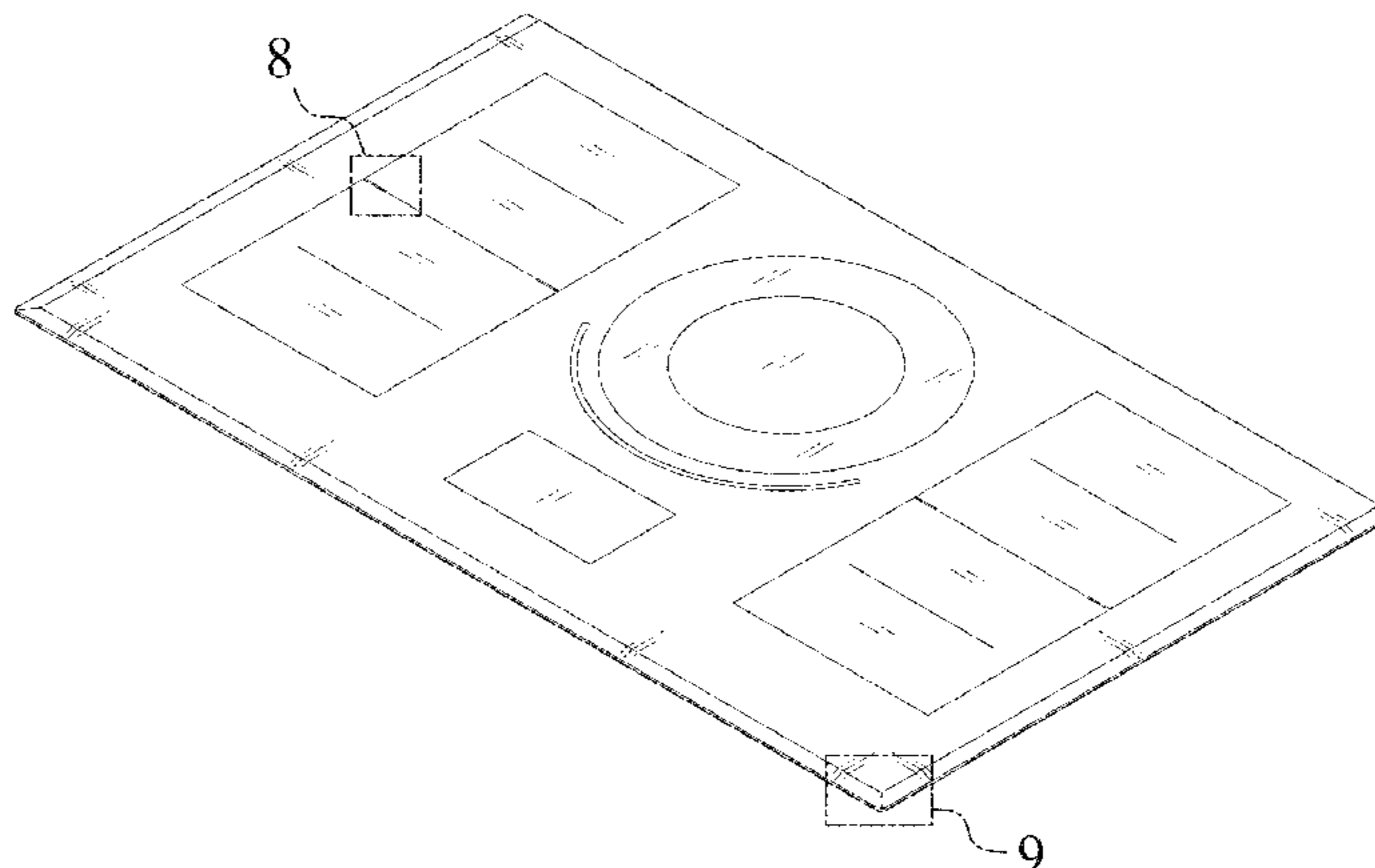
(56) **References Cited**

**U.S. PATENT DOCUMENTS**

D506,637 S \* 6/2005 Tanaka ..... D7/346  
D508,630 S \* 8/2005 Grutzke ..... D7/346

The dot dashed broken lines defining rectangular portions of the claimed design in FIGS. 1, 4 and 5 and illustrated in enlarged views in FIGS. 8-11 form no part of the claimed design.

**1 Claim, 11 Drawing Sheets**



(56)

**References Cited**

U.S. PATENT DOCUMENTS

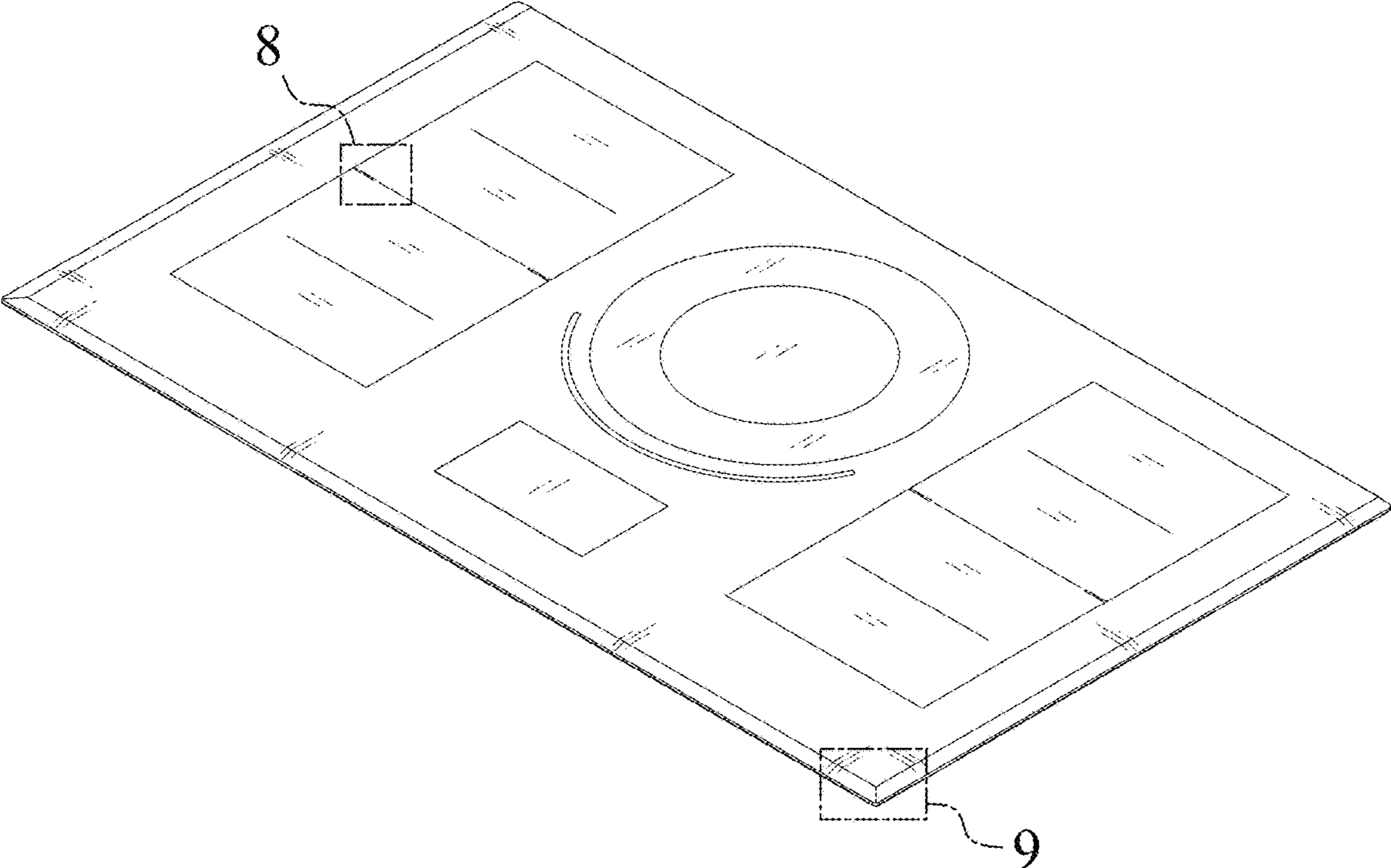
D511,927 S *	11/2005	Grutzke	.....	D7/346
D513,922 S *	1/2006	Grutzke	.....	D7/346
D568,673 S *	5/2008	Tanaka	.....	D7/346
D651,447 S *	1/2012	Sadtler	.....	D7/346
D671,789 S *	12/2012	Goss	.....	D7/346
D706,576 S *	6/2014	Boo	.....	D7/407
D715,592 S *	10/2014	Yoon	.....	D7/407
D733,484 S *	7/2015	Roberson	.....	D7/346
D741,103 S *	10/2015	Knoll	.....	D7/346
D754,465 S *	4/2016	Kim	.....	D7/346
D764,219 S *	8/2016	Kim	.....	D7/339
D777,503 S *	1/2017	Kim	.....	D7/346
D789,137 S *	6/2017	Lee	.....	D7/323
D807,106 S *	1/2018	Roberson	.....	D7/346
D811,154 S *	2/2018	Lee	.....	D7/346
D814,230 S *	4/2018	Choi	.....	D7/346
D814,843 S *	4/2018	Knoll	.....	D7/346
D814,844 S *	4/2018	Kim	.....	D7/346
D833,798 S *	11/2018	Chung	.....	D7/346
2008/0190409 A1 *	8/2008	Demol	.....	C03C 17/38 126/211

FOREIGN PATENT DOCUMENTS

EM	003414002-0007	10/2016
EM	003414002-0011	10/2016
KR	300793090 S	4/2015

\* cited by examiner

FIG. 1



**FIG. 2**

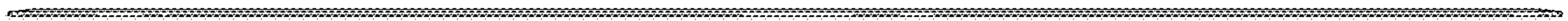


FIG. 3

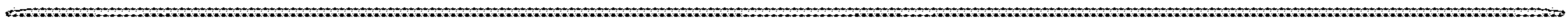


FIG. 4

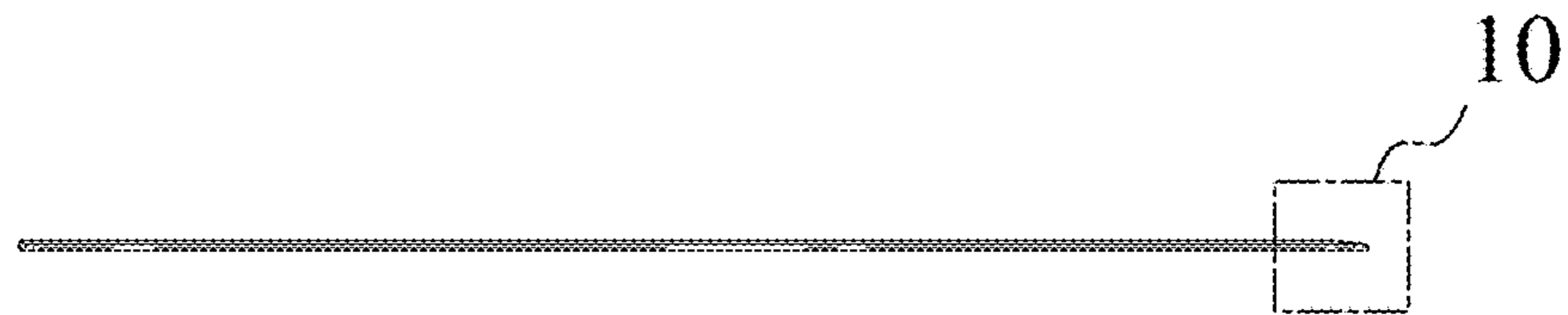


FIG. 5



FIG. 6

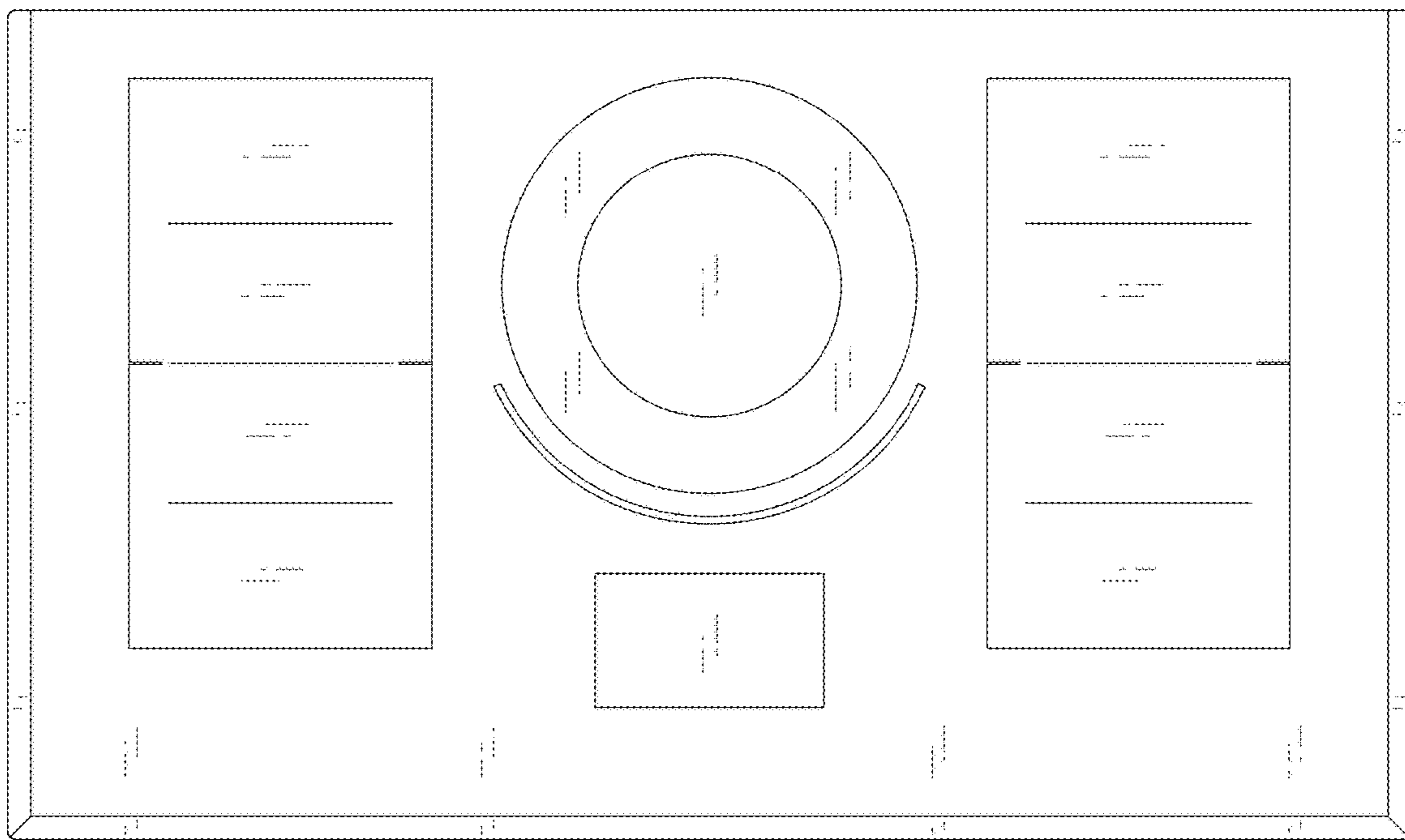




FIG. 7

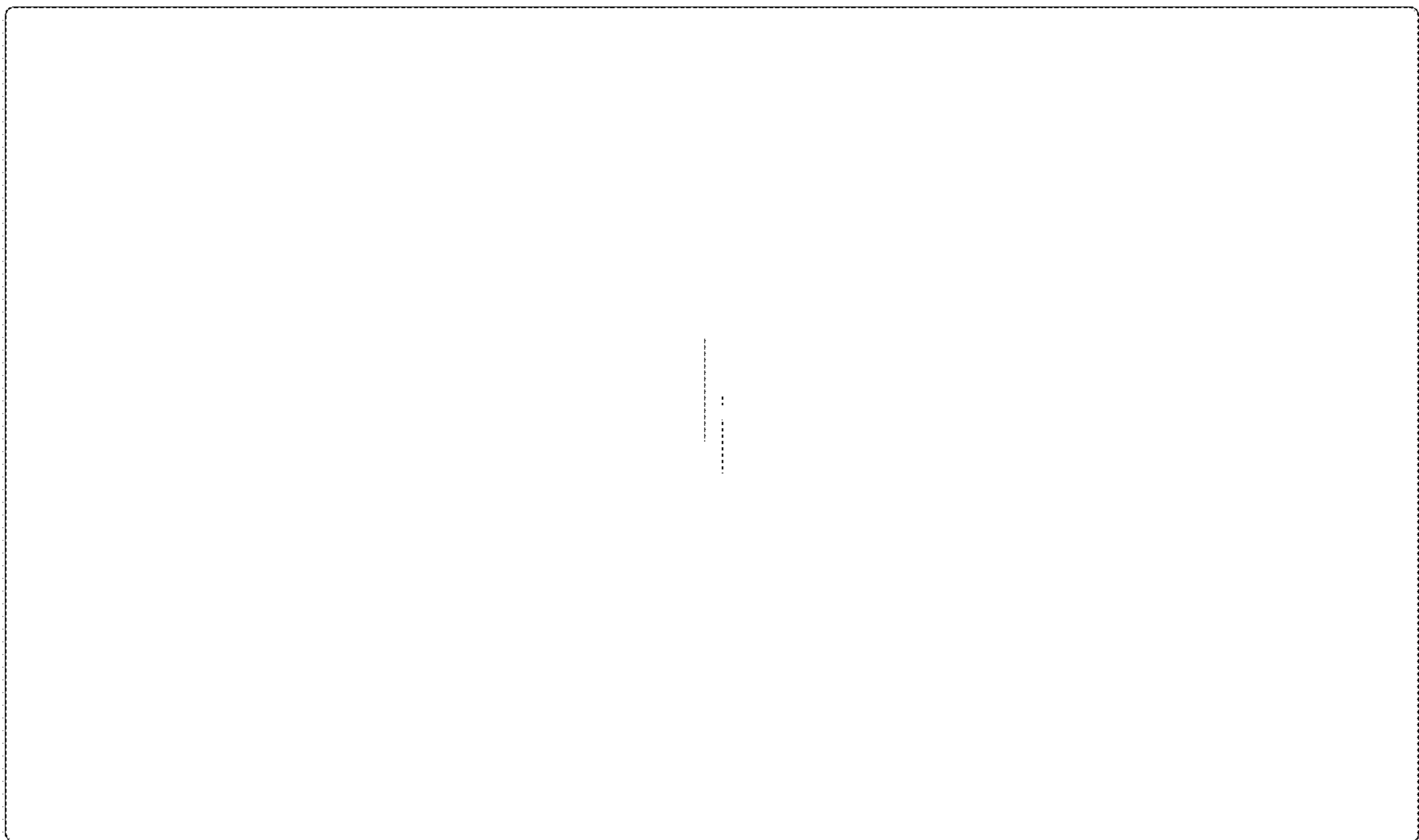


FIG. 8

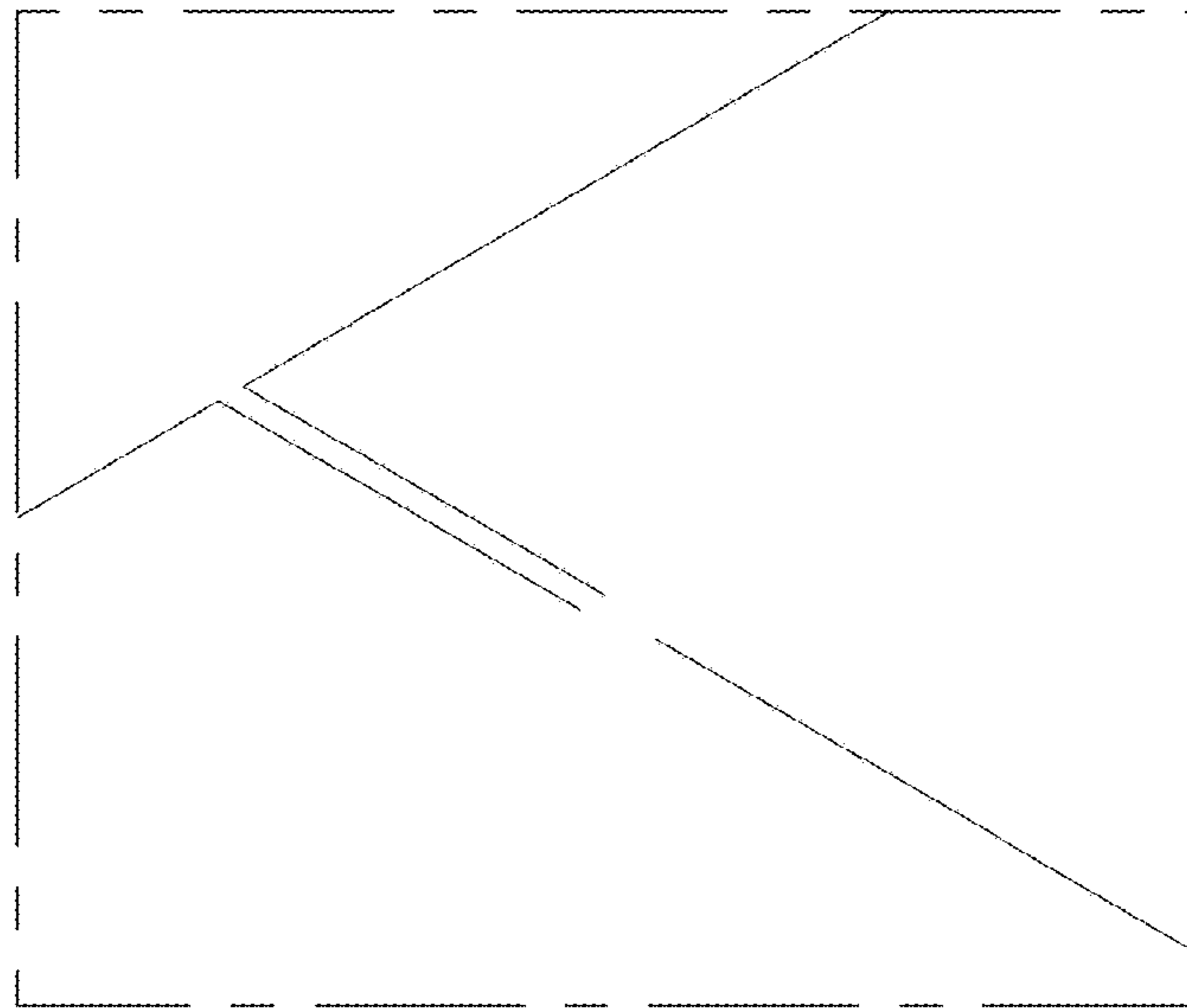


FIG. 9

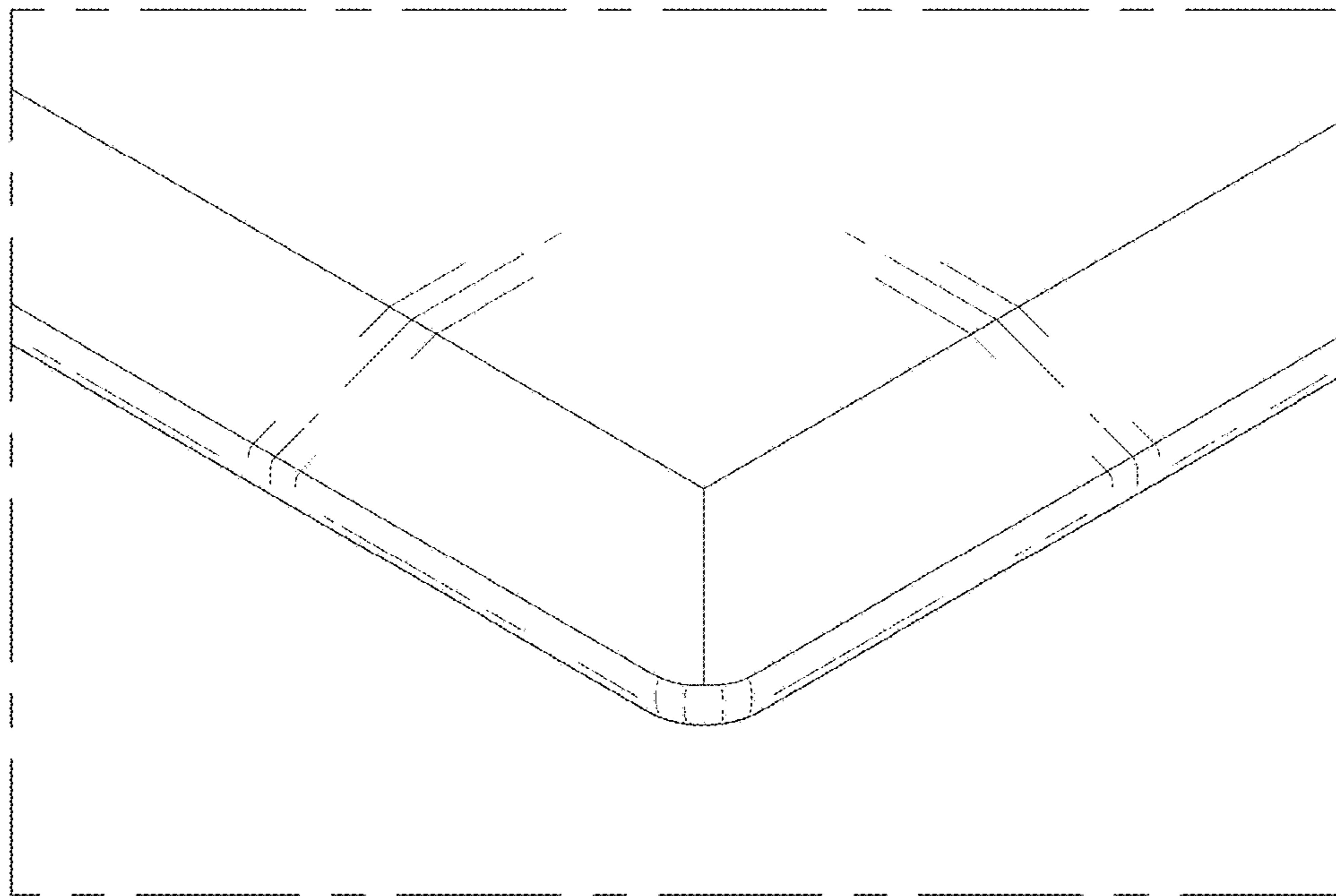


FIG. 10

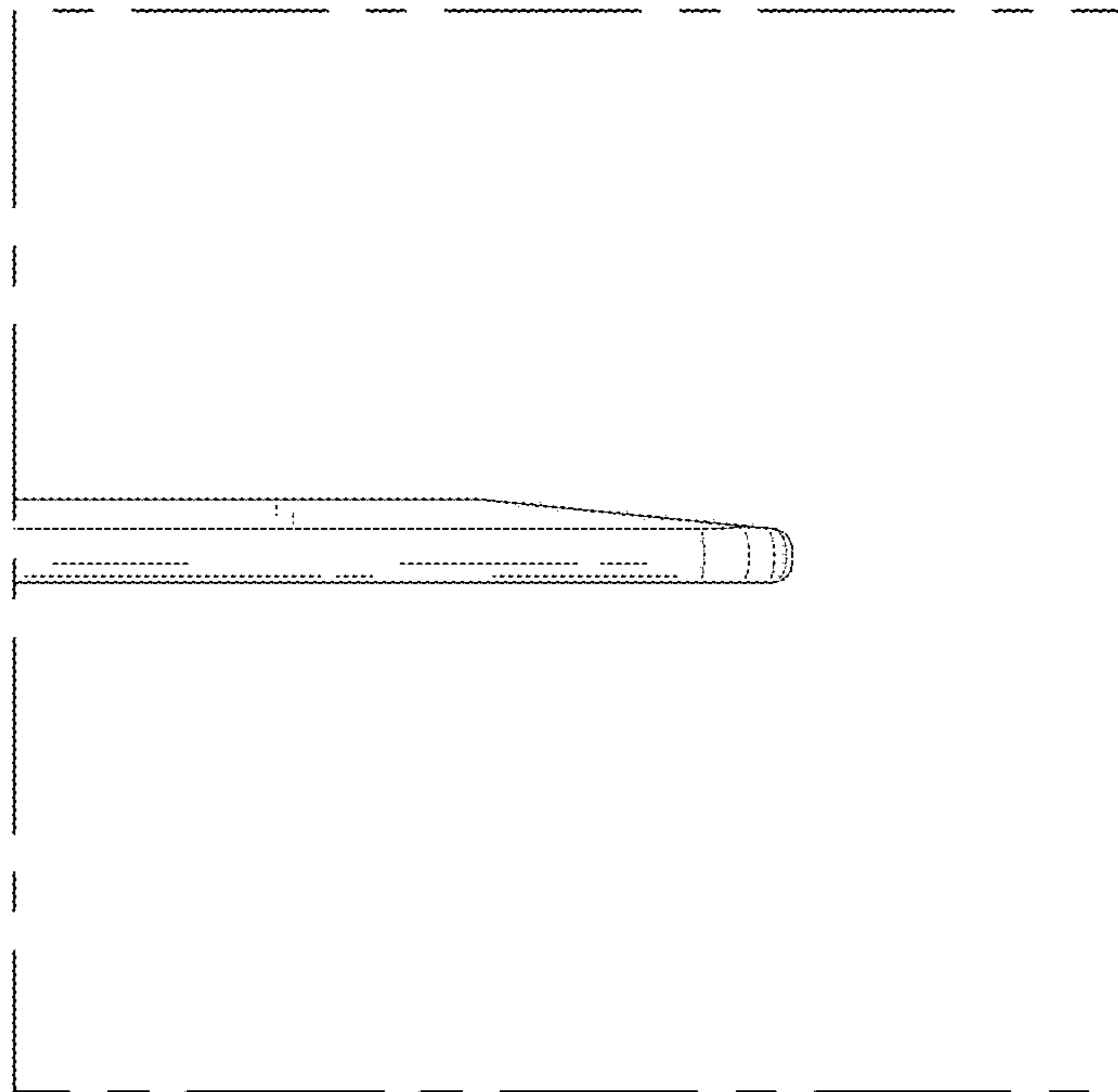


FIG. 11

