



US00D858168S

(12) **United States Design Patent** (10) **Patent No.:** **US D858,168 S**
Broen et al. (45) **Date of Patent:** **** Sep. 3, 2019**

(54) **DISPENSER**
(71) Applicant: **PepsiCo, Inc.**, Purchase, NY (US)
(72) Inventors: **Martin Eduardo Broen**, New York, NY (US); **Stephen Lim**, Chappaqua, NY (US); **Martin Ivar Franzen**, Milan (IT); **Mauro Scamporlino**, Syracuse (IT)
(73) Assignee: **PepsiCo, Inc.**, Purchase, NY (US)

D233,271 S * 10/1974 Holcomb D7/308
D261,390 S * 10/1981 Harvill D7/307
D272,975 S * 3/1984 Miller D7/309
D281,568 S * 12/1985 Bruffey, Jr. D7/308
4,658,872 A * 4/1987 Ellis B67D 1/06
141/311 R
D312,021 S * 11/1990 Mohat D7/308
D335,062 S * 4/1993 Kolada D15/80
D344,761 S 3/1994 Muehlberger
D345,583 S 3/1994 Muehlberger
D359,874 S * 7/1995 Smith D7/308
D367,585 S * 3/1996 Piatnik D7/300

(Continued)

(**) Term: **15 Years**

(21) Appl. No.: **29/621,959**

(22) Filed: **Oct. 12, 2017**

Related U.S. Application Data

(63) Continuation of application No. 29/591,254, filed on Jan. 18, 2017, now Pat. No. Des. 799,880, which is a continuation of application No. 29/517,675, filed on Feb. 15, 2015, now Pat. No. Des. 776,970.

(51) **LOC (12) Cl.** **07-01**

(52) **U.S. Cl.**
USPC **D7/307; D7/308; D7/311; D7/397**

(58) **Field of Classification Search**

USPC D7/300, 309-311, 306-308, 305, 397, D7/355, 362, 365, 367, 399; 222/146.6, 222/185.1, 135; 99/295, 273, 304, 288, 99/279, 307, 283; D20/4
CPC A47J 31/46; A47J 31/407; A47J 31/50; A47J 31/18; A47J 31/00; A47J 27/04; A47J 31/0573; A47J 31/52

See application file for complete search history.

(56) **References Cited**

U.S. PATENT DOCUMENTS

D206,519 S * 12/1966 Wolfe D7/308
D215,045 S * 8/1969 Benjamin D7/309

OTHER PUBLICATIONS

JPO's HC27013807 document, Cimbali Espresso Machine, La Cimbali, p. 5, cited in Decision to Grant for JP App. No. 2015-17998.

(Continued)

Primary Examiner — Marianne N Pandozzi
(74) *Attorney, Agent, or Firm* — Sterne, Kessler, Goldstein & Fox P.L.L.C.

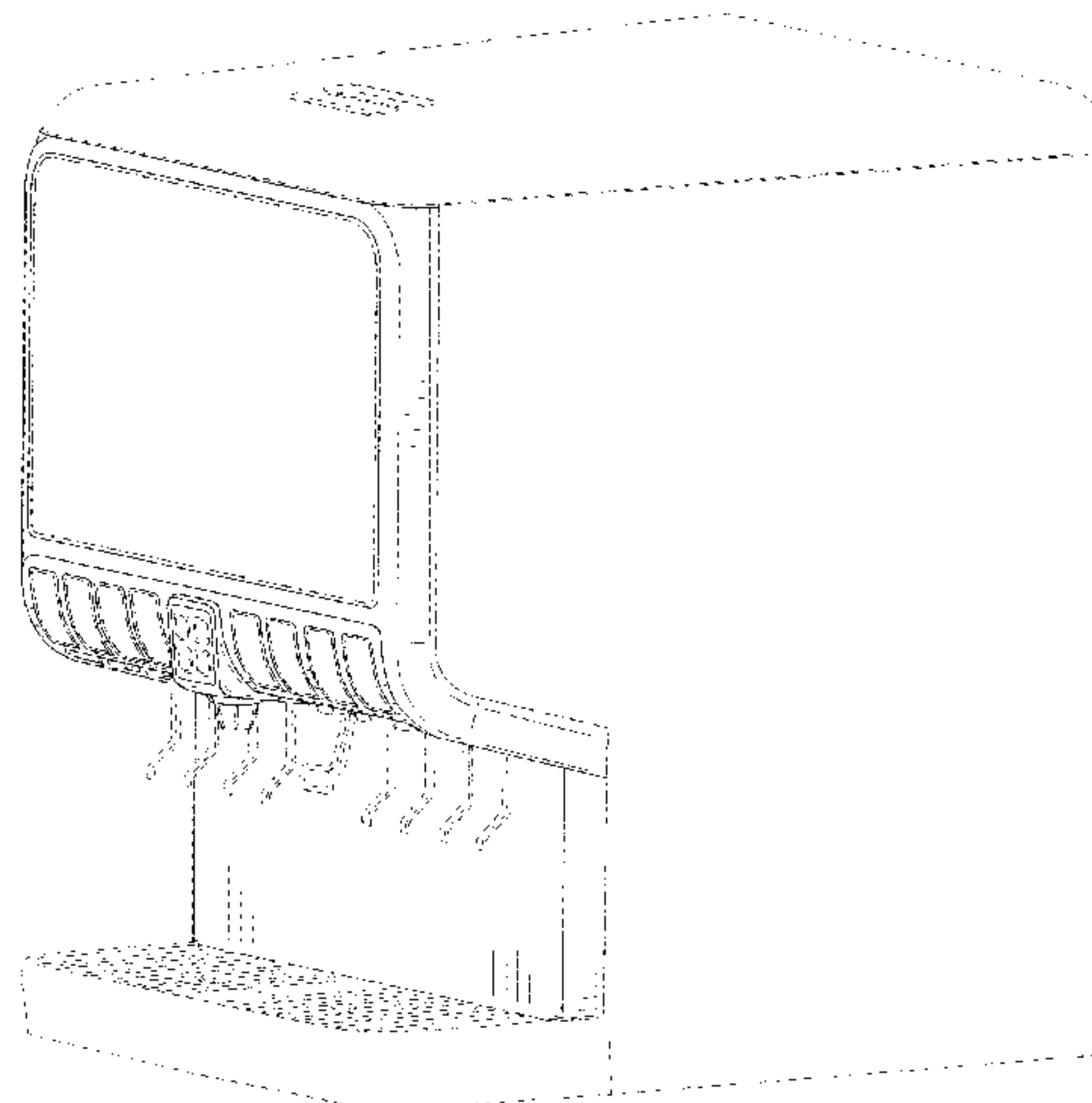
(57) **CLAIM**

The ornamental design for a dispenser, as shown and described.

DESCRIPTION

FIG. 1 is a top, front, right perspective view of a dispenser showing the claimed design;
FIG. 2 is a front view thereof; and,
FIG. 3 is a right side view thereof, wherein the left side is a mirror image of FIG. 3 and is claimed.
The dashed broken lines in the drawings show portions of the dispenser that form no part of the claimed design.
The dot-dash broken lines in the drawings represent the bounds of the claim and form no part of the claimed design.
The shade lines in the figures show contour and not surface ornamentation.

1 Claim, 3 Drawing Sheets



(56)

References Cited

U.S. PATENT DOCUMENTS

D367,989 S * 3/1996 Mills D7/300
 D368,617 S * 4/1996 Jackson D7/306
 D373,795 S 9/1996 Bush
 D390,058 S * 2/1998 Landers D7/307
 D404,242 S * 1/1999 Schroeder D7/307
 D408,206 S * 4/1999 Stafford D7/306
 D418,365 S * 1/2000 Ford D7/308
 D442,417 S * 5/2001 Jones D7/307
 D451,748 S * 12/2001 Holderfield D7/307
 D453,088 S * 1/2002 Bell D7/307
 D457,088 S * 5/2002 Torres D11/4
 D486,687 S * 2/2004 Strandell D7/307
 D510,675 S * 10/2005 Ball D7/306
 D553,416 S * 10/2007 Lin D7/306
 D600,491 S * 9/2009 Hammad D7/306
 D649,393 S * 11/2011 Cohlma D7/307
 D699,066 S * 2/2014 Arora D7/307
 D699,501 S * 2/2014 Arora D7/307

8,768,524 B2 * 7/2014 Hammonds B67D 1/0031
 222/14
 D715,584 S 10/2014 Arora et al.
 D735,527 S * 8/2015 Palermo D7/309
 D770,215 S * 11/2016 Vu D7/309
 D771,433 S * 11/2016 Broen D7/307
 D772,003 S * 11/2016 Broen D7/307
 D776,970 S * 1/2017 Broen D7/307
 D789,133 S * 6/2017 Gnadinger D7/307
 D799,880 S * 10/2017 Broen D7/307
 D830,530 S * 10/2018 Webster D23/366
 D841,382 S * 2/2019 Broen D7/306

OTHER PUBLICATIONS

JPO's HJ23031961 document, W. W. Grainger, Inc., Web page, GB8M10-LD-U, cited in Decision to Grant for JP App. No. 2015-17998.

* cited by examiner

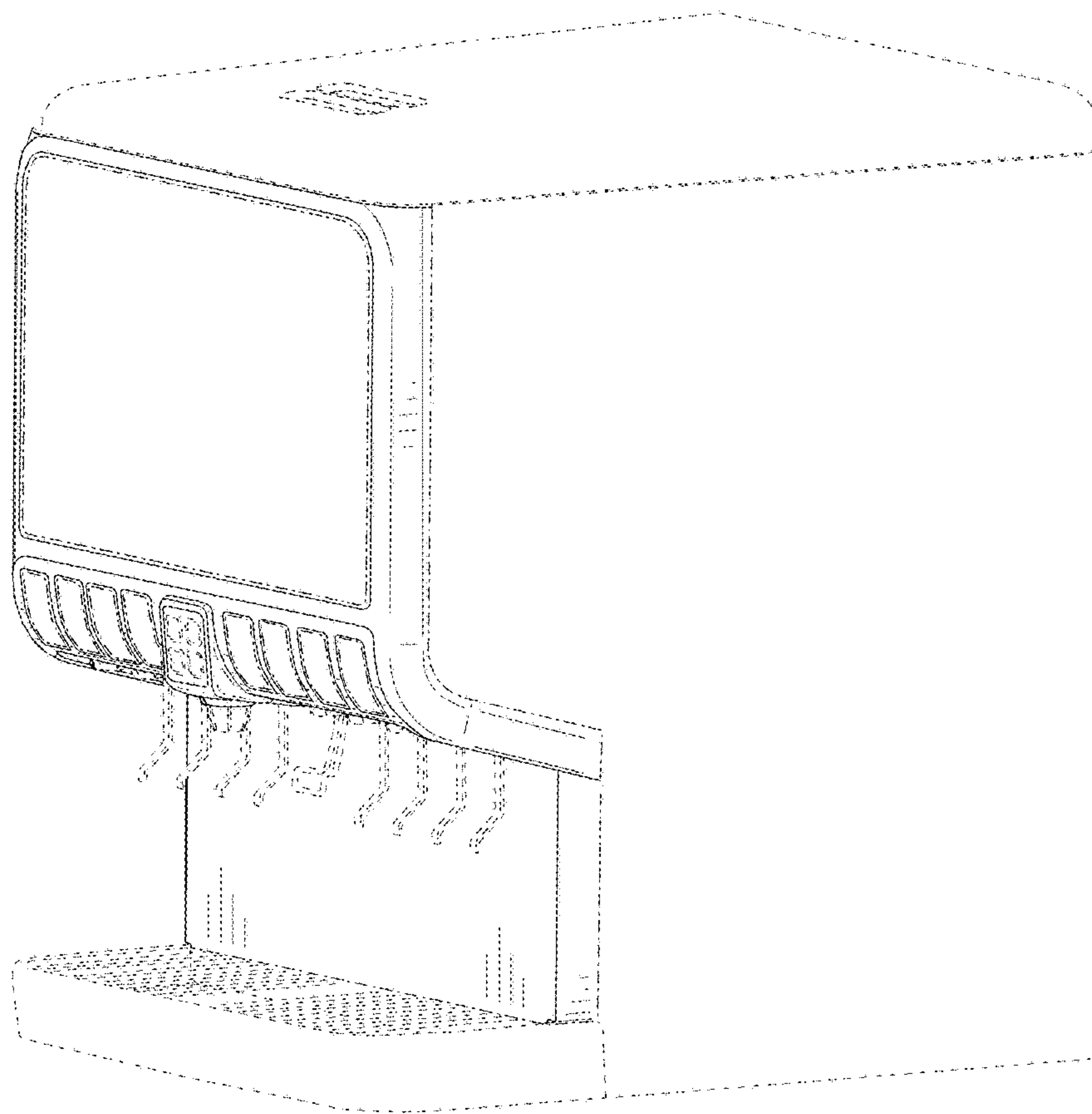


FIG. 1

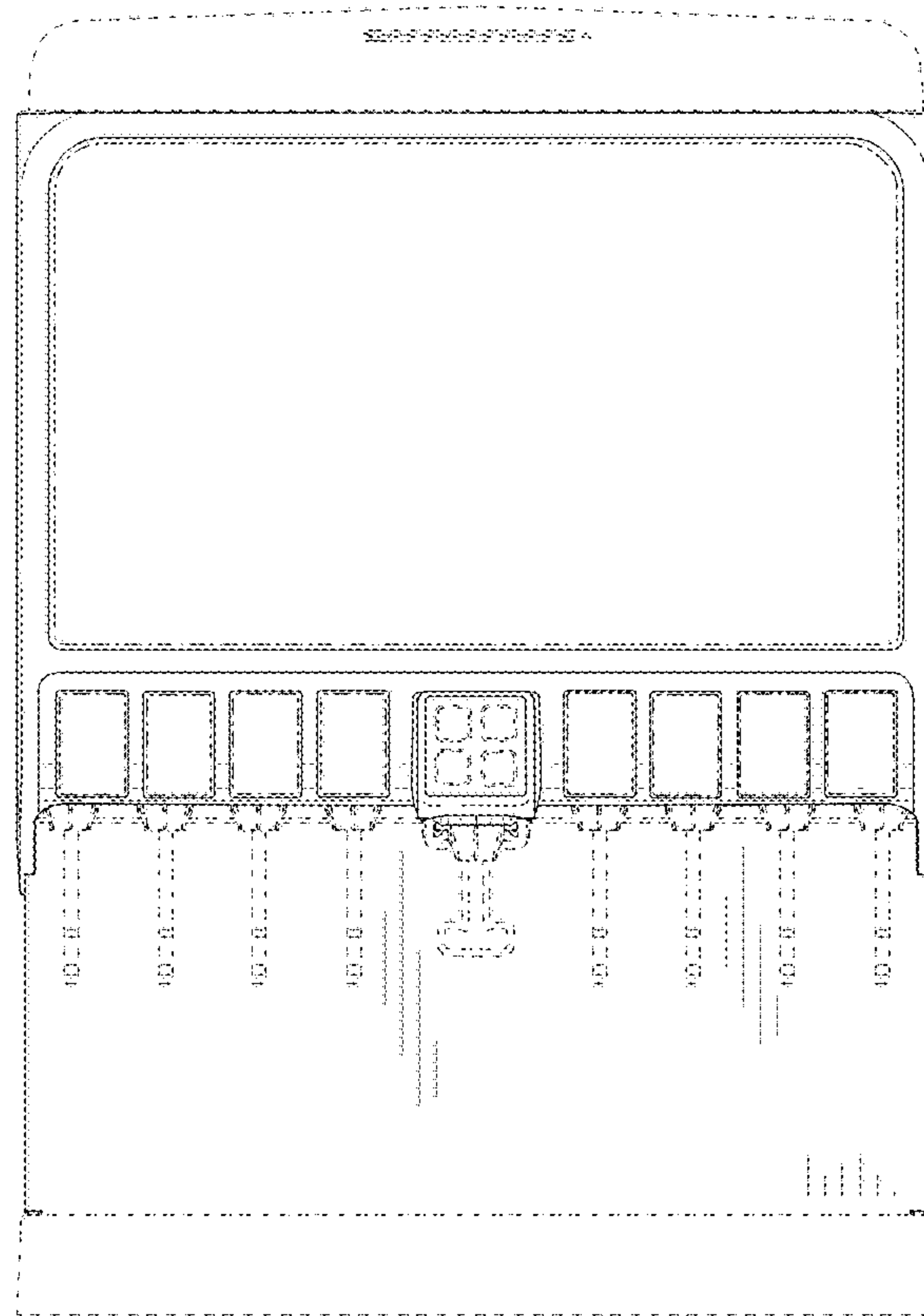


FIG. 2

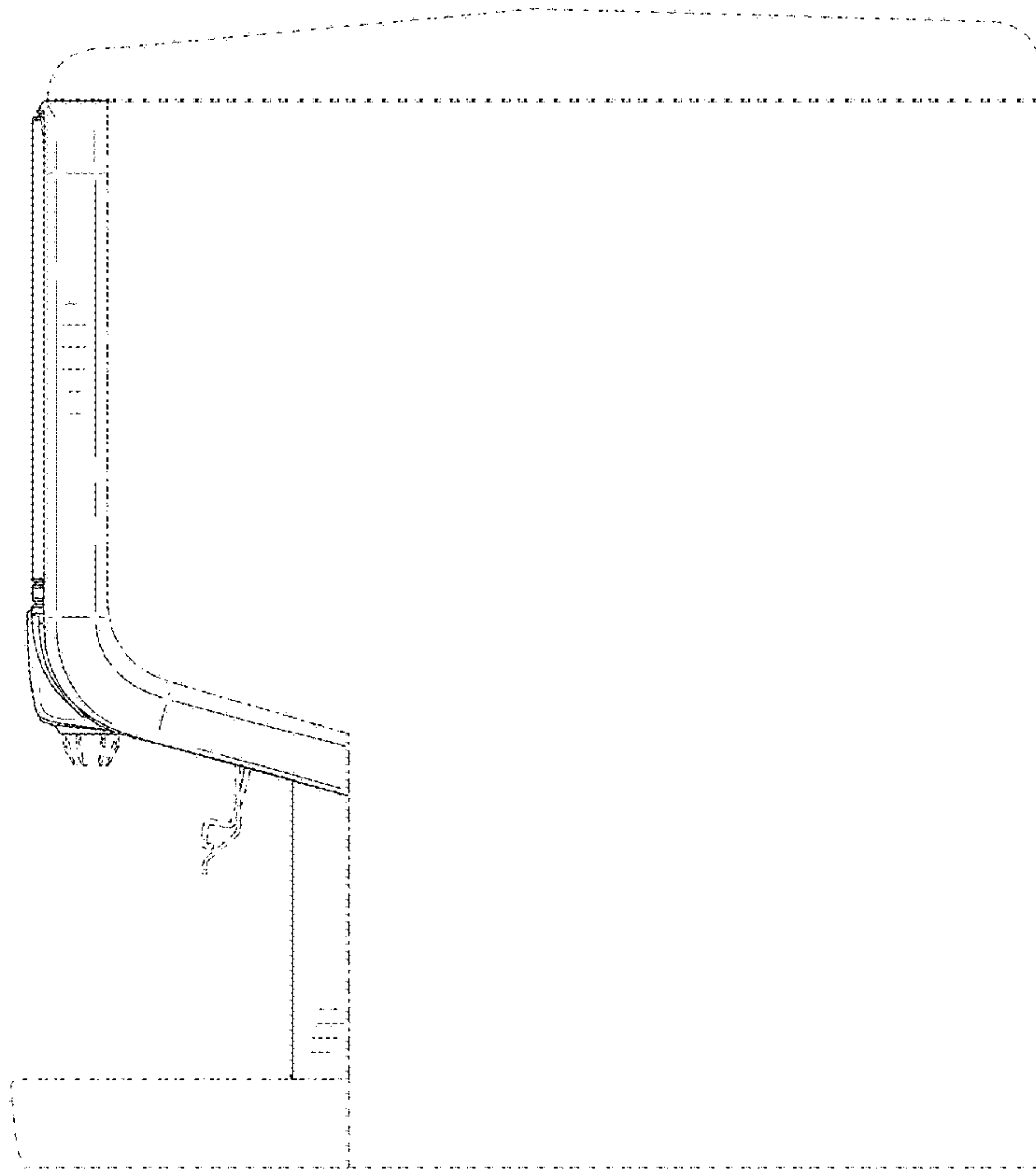


FIG. 3