



US00D858165S

(12) **United States Design Patent** (10) **Patent No.:** **US D858,165 S**
Ward (45) **Date of Patent:** **** Sep. 3, 2019**

(54) **ARMREST FOR AIRPLANE PILOT** 7,252,339 B2 * 8/2007 Owens A47C 4/02
297/440.1
(71) Applicant: **Michael A. Ward**, Quinlan, TX (US) D606,345 S * 12/2009 Tsai D6/366
D665,588 S * 8/2012 Wada D6/356
(72) Inventor: **Michael A. Ward**, Quinlan, TX (US) D688,502 S * 8/2013 Smith D6/716.2
D688,907 S * 9/2013 Smith D6/716.2
D689,315 S * 9/2013 Smith D6/716.2
D699,061 S * 2/2014 Smith D6/716.2
(**) Term: **15 Years**

(21) Appl. No.: **29/618,437**

(22) Filed: **Sep. 21, 2017**

(51) **LOC (12) Cl.** **06-06**

(52) **U.S. Cl.**
USPC **D6/716.2**

(58) **Field of Classification Search**
USPC D6/328, 334, 354, 355, 364, 366, 601,
D6/655, 702, 708, 708.16, 708.17,
D6/708.18, 708.23, 708.24, 708.25, 712,
D6/716.1, 716.2, 716.3, 716.4, 716.5,
D6/716.6, 716.7; D21/662, 694, 695
CPC .. A47C 1/03; A47C 4/02; A47C 31/00; B64D
11/06; B62J 1/18; B60N 2/01; H01R
13/60

See application file for complete search history.

(56) **References Cited**

U.S. PATENT DOCUMENTS

D168,434 S * 12/1952 Andrews D6/716.2
D268,880 S * 5/1983 Palmgren D6/356
D268,973 S * 5/1983 White D6/356
D271,924 S * 12/1983 Nishimoto D6/716.2
D313,963 S * 1/1991 Gunnarsson D12/419
D336,397 S * 6/1993 DeBoer D6/716.2
5,835,586 A * 11/1998 Skowronski B60R 11/0241
379/446
D440,797 S * 4/2001 Norman D6/716.2
D450,957 S * 11/2001 Asbjømsen D6/716.7

OTHER PUBLICATIONS

Alexander, Arthur L. "Elbow Rest for Desk" Aug. 3, 2010, desk.
njfoa-raritan.org, site visited Apr. 8, 2019 <http://desk.njfoa-raritan.
org/elbow-rest-for-desk-6073> (Year: 2010).*

* cited by examiner

Primary Examiner — Kevin K Rudzinski
Assistant Examiner — Paul D Bohannon
(74) *Attorney, Agent, or Firm* — Wesley W. Malherek;
Kelly, Holt & Christenson PLLC

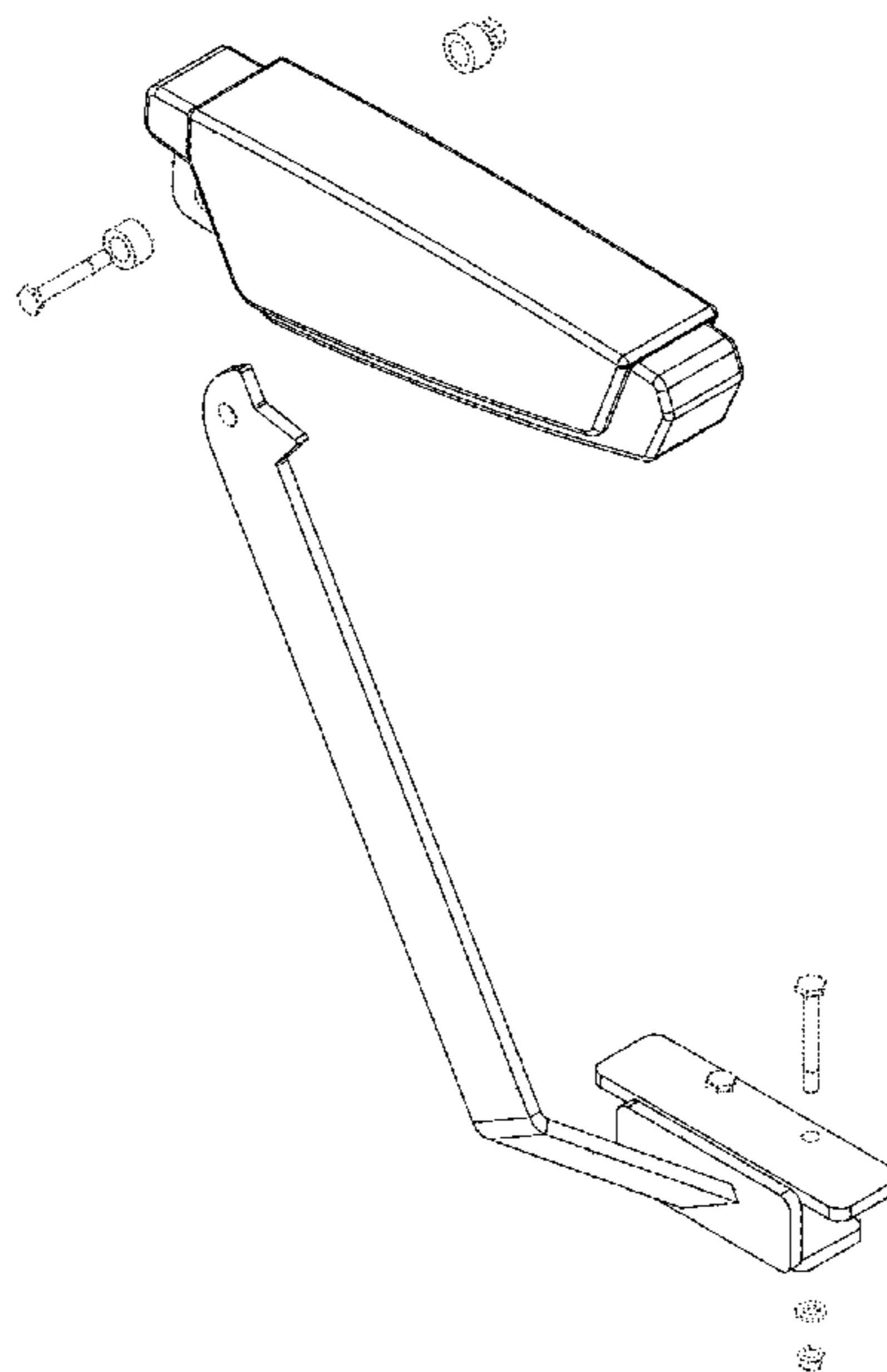
(57) **CLAIM**

The ornamental design for an armrest for airplane pilot, as
shown and described.

DESCRIPTION

FIG. 1 is an exploded view of the armrest for airplane pilot.
FIG. 2 is a top view thereof.
FIG. 3 is a bottom view thereof.
FIG. 4 is a rear view thereof.
FIG. 5 is a front view thereof.
FIG. 6 is a first side thereof; and,
FIG. 7 is second side view thereof.
The broken lines of FIGS. 1-7 are included for the purpose
of illustrating environmental structure and form no part of
the claimed design.

1 Claim, 7 Drawing Sheets



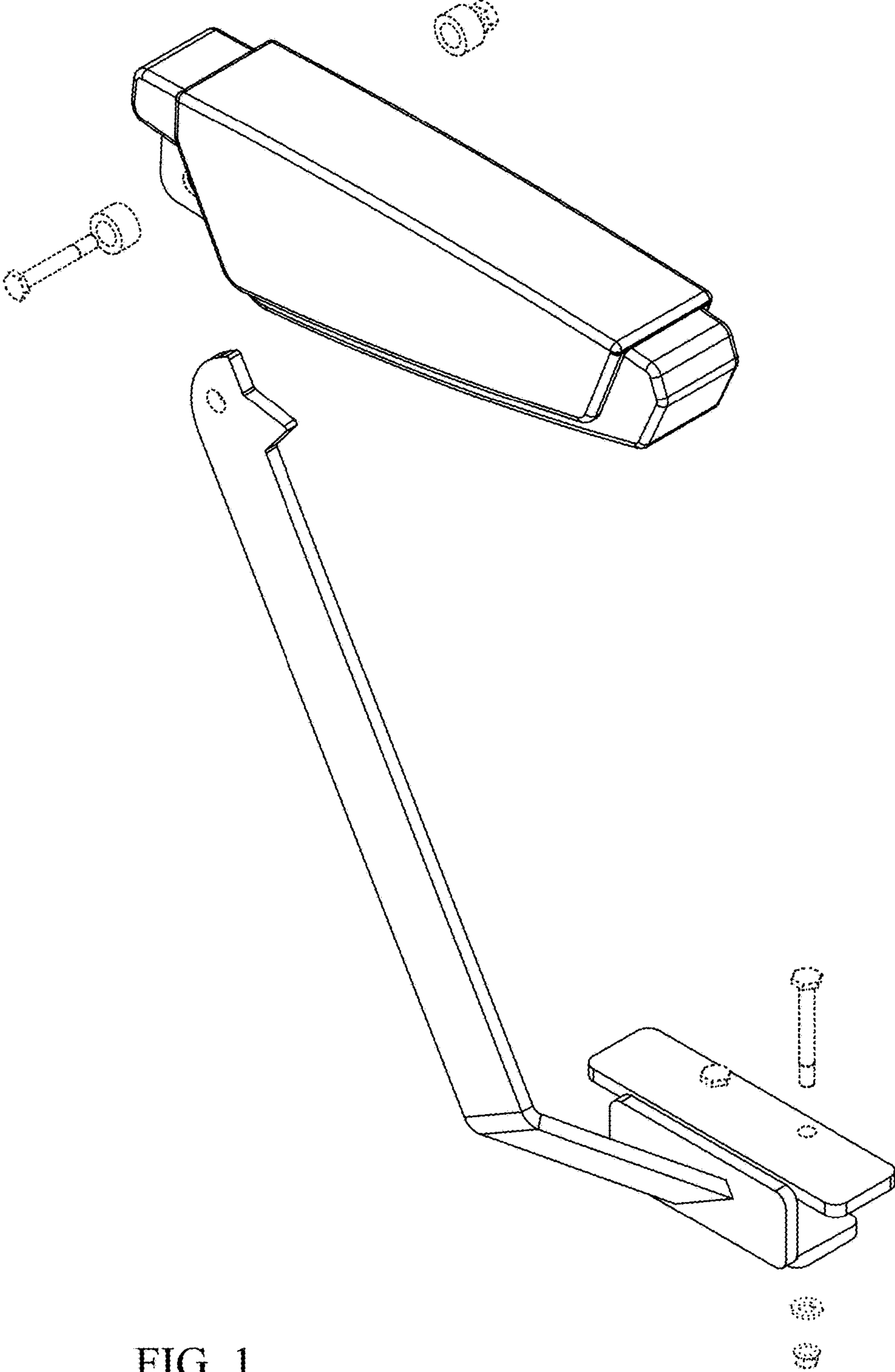


FIG. 1

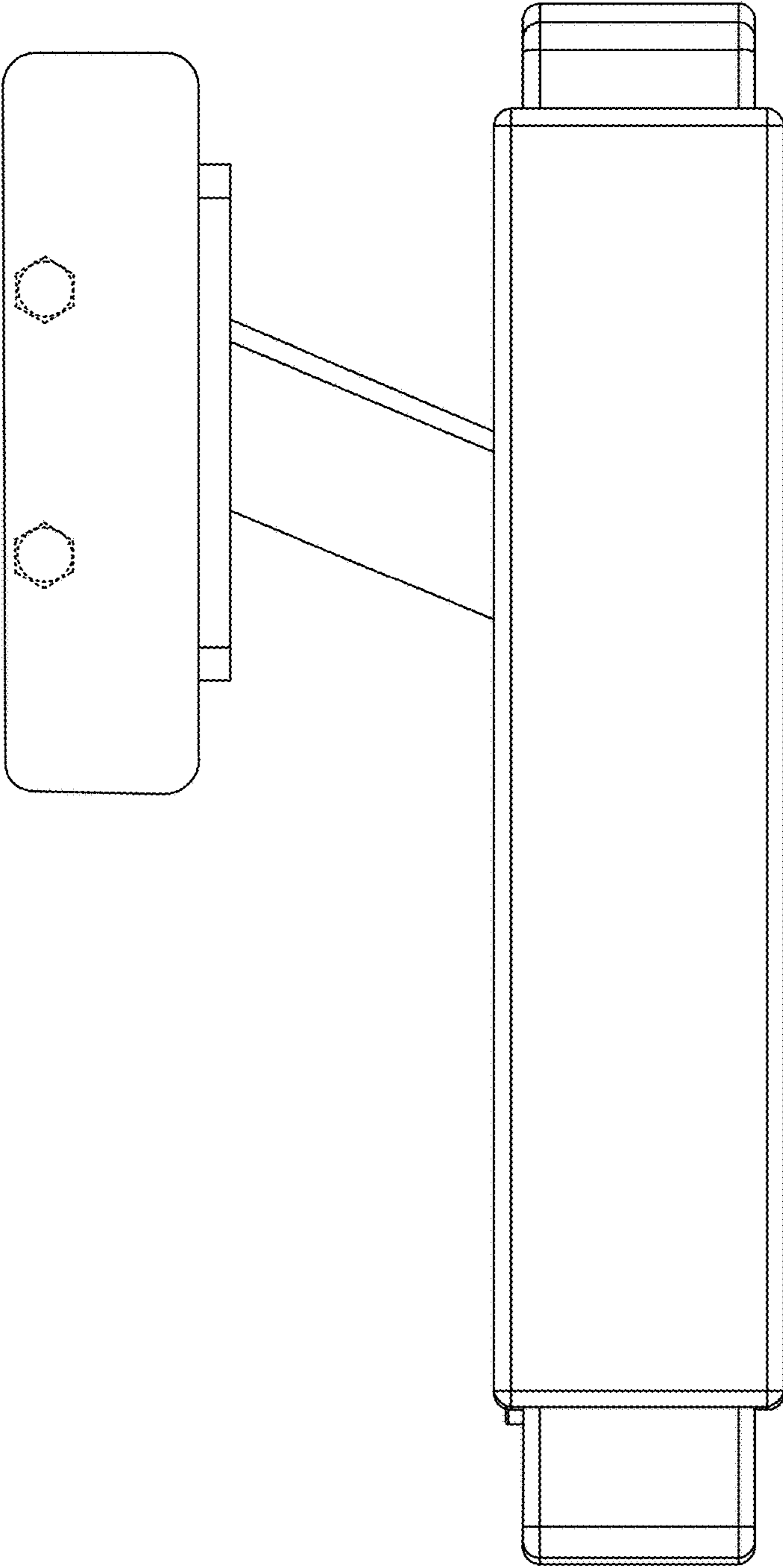


FIG. 2

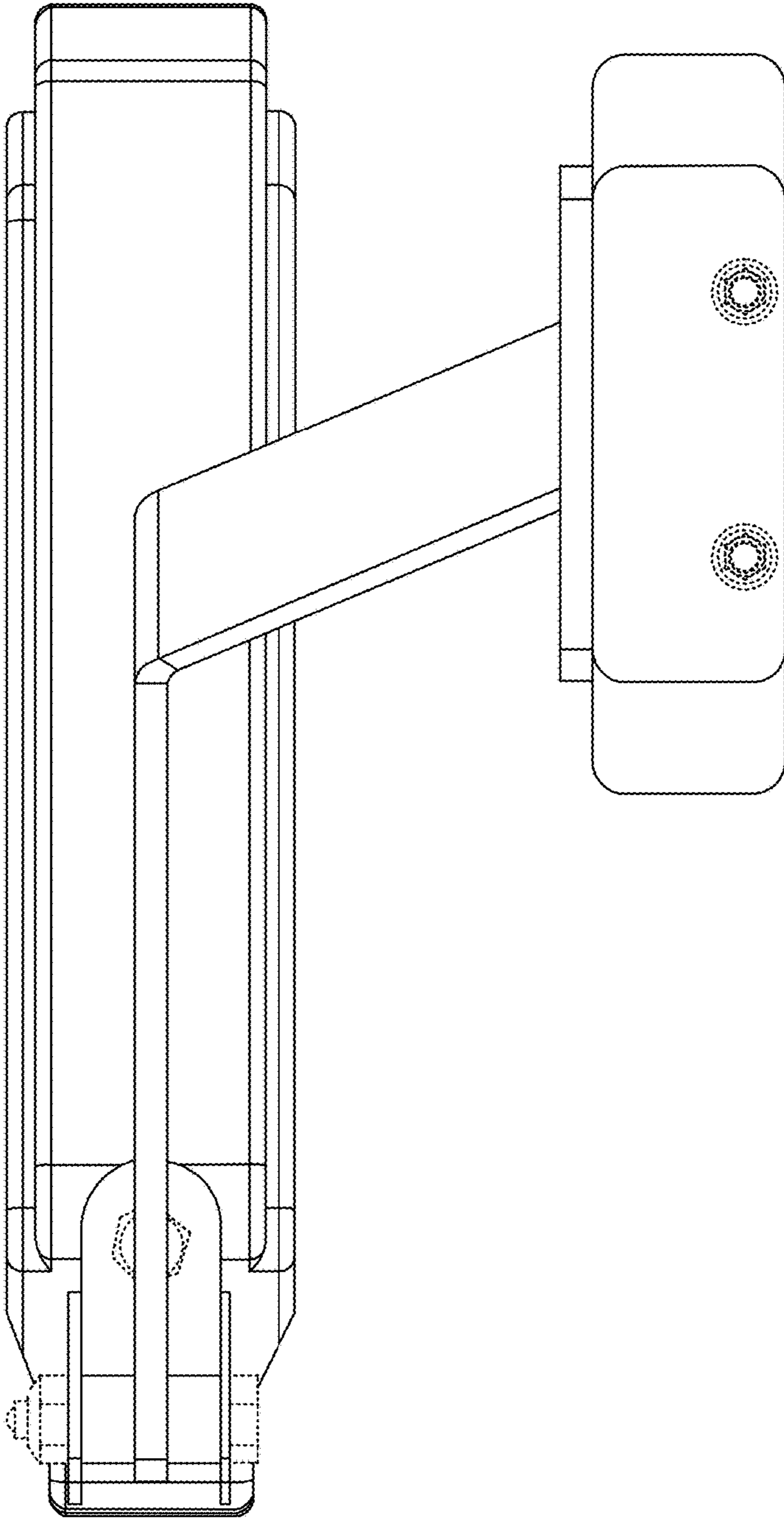


FIG. 3

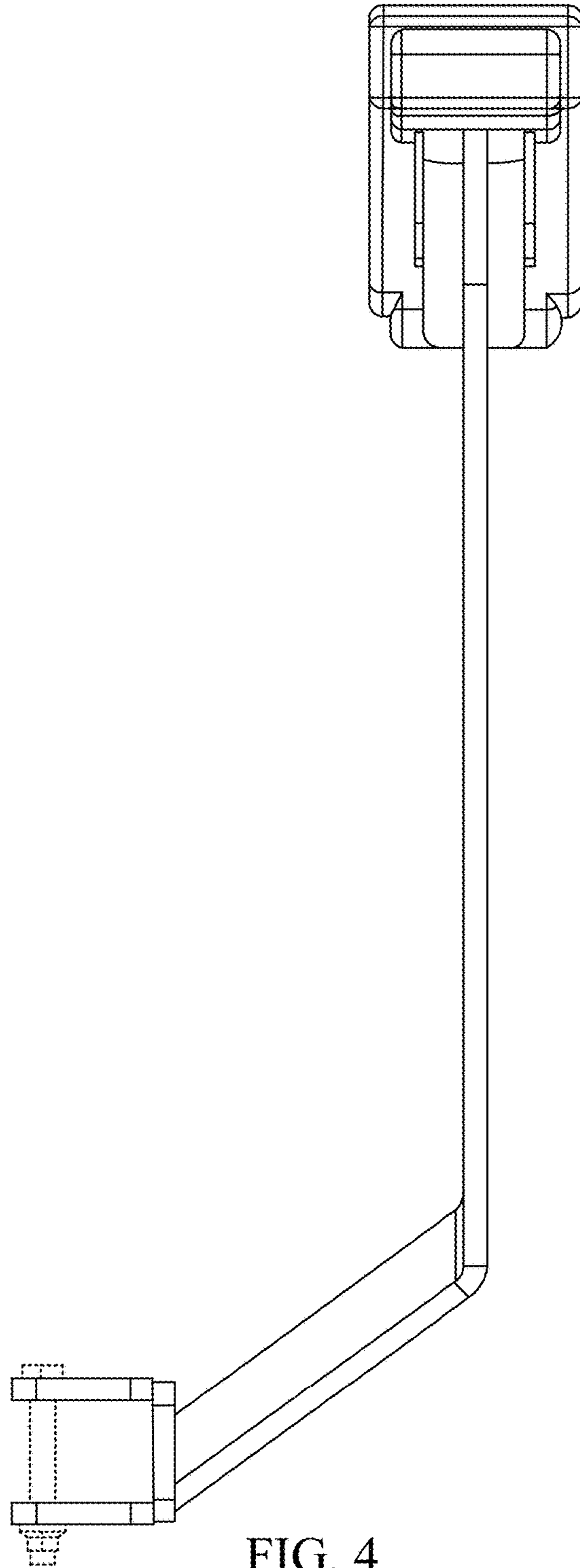


FIG. 4

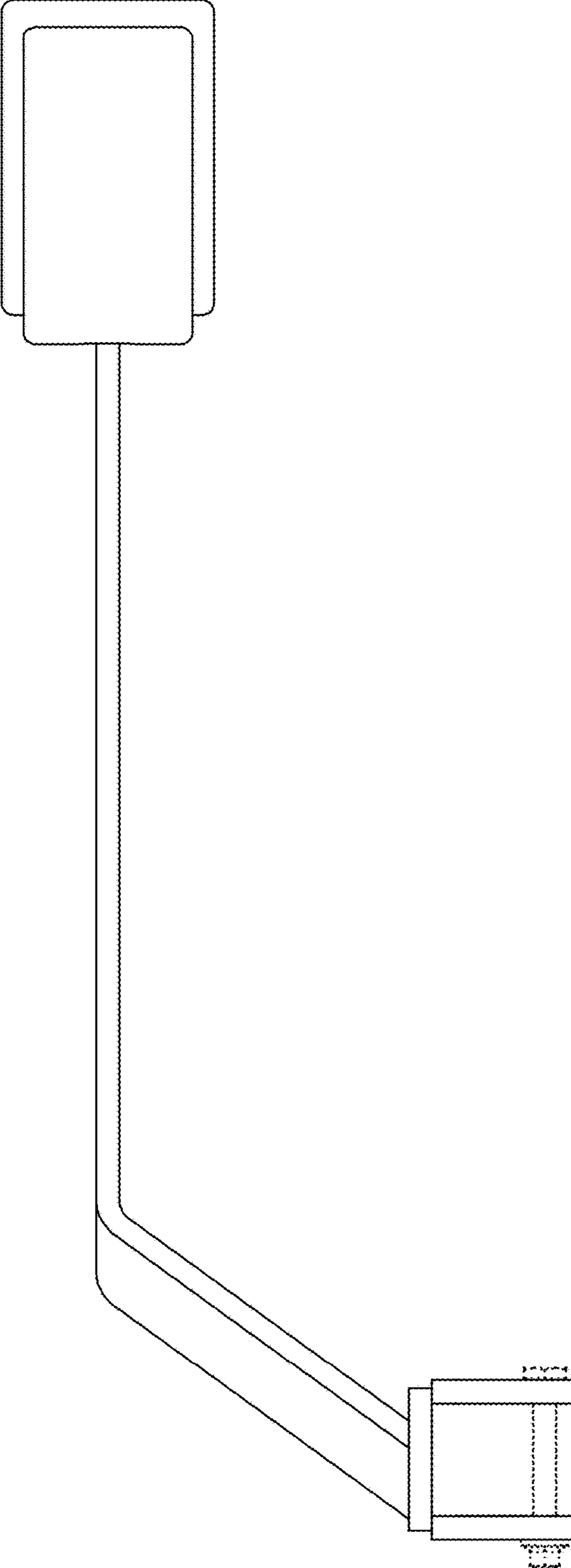


FIG. 5

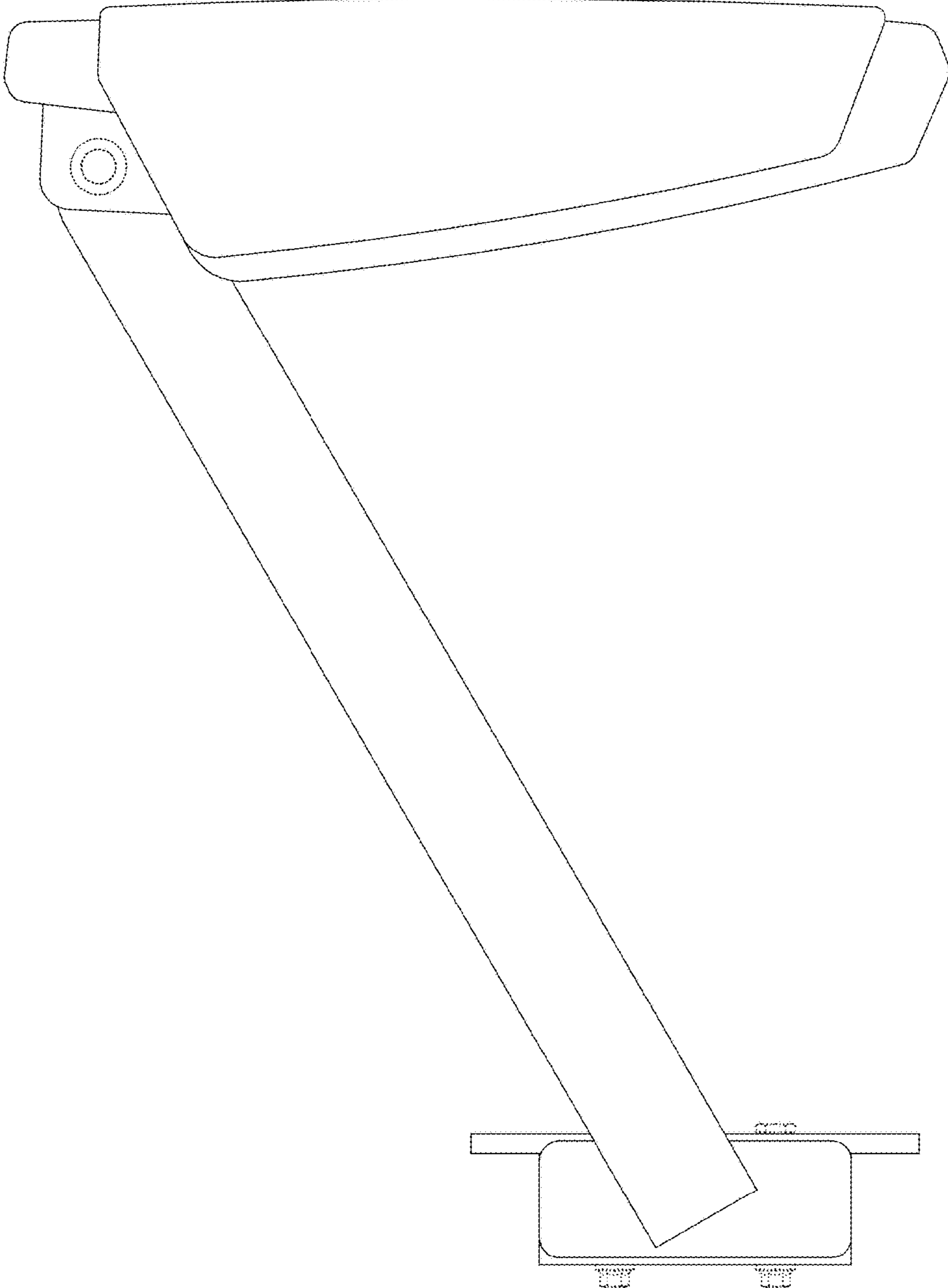


FIG. 6

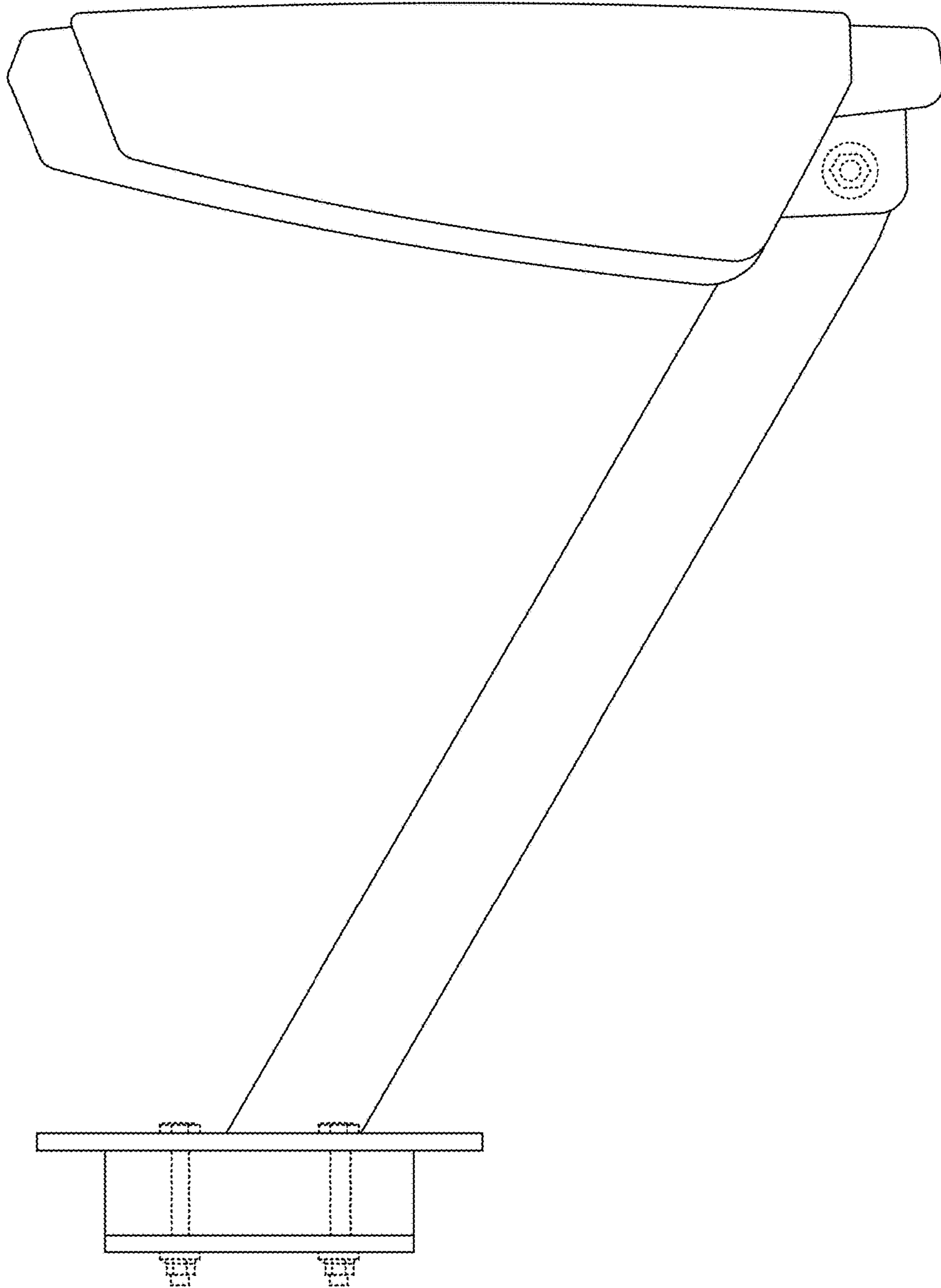


FIG. 7