



US00D858164S

(12) **United States Design Patent** (10) **Patent No.:** **US D858,164 S**
Jahns (45) **Date of Patent:** **** Sep. 3, 2019**

(54) **FOUR LEG CHAIR BASE**
 (71) Applicant: **Office Master Inc.**, Ontario, CA (US)
 (72) Inventor: **Henner Jahns**, Los Angeles, CA (US)
 (73) Assignee: **Office Master Inc.**, Ontario, CA (US)
 (**) Term: **15 Years**
 (21) Appl. No.: **29/624,446**
 (22) Filed: **Nov. 1, 2017**
 (51) **LOC (12) Cl.** **06-01**
 (52) **U.S. Cl.**
 USPC **D6/708.16**
 (58) **Field of Classification Search**
 USPC D6/334-336, 371, 372, 373, 374, 375,
 D6/376, 379, 380, 716, 716.1, 716.2,
 D6/716.3, 716.4, 708, 708.16, 709, 709.2
 CPC A47C 4/03; A47C 3/12; A47C 4/18; A47C
 4/42; A47C 4/44; A47C 4/48; A47C 5/04;
 A47C 5/12; A47C 7/16
 See application file for complete search history.

D667,243 S 9/2012 Su
 D679,524 S 4/2013 Corcorran et al.
 D679,525 S 4/2013 Corcorran et al.
 D703,987 S 5/2014 Smith et al.
 D704,945 S 5/2014 Massaud
 D709,297 S 7/2014 Starck
 D726,468 S 4/2015 McKenna et al.
 D729,564 S 5/2015 Robins et al.
 D731,801 S 6/2015 McKenna et al.
 D742,673 S 11/2015 Dorigo
 D743,712 S 11/2015 Behar et al.
 9,185,973 B2 11/2015 Udagawa et al.
 D761,582 S * 7/2016 Armani D6/369
 D787,248 S 5/2017 Jahns
 D811,790 S * 3/2018 Chavarria D6/708.16
 D822,418 S * 7/2018 Swy D6/708

* cited by examiner

Primary Examiner — Mimoso De
 (74) *Attorney, Agent, or Firm* — Andrus Intellectual
 Property Law, LLP

(57) **CLAIM**

The ornamental design for a four leg chair base, as shown and described.

DESCRIPTION

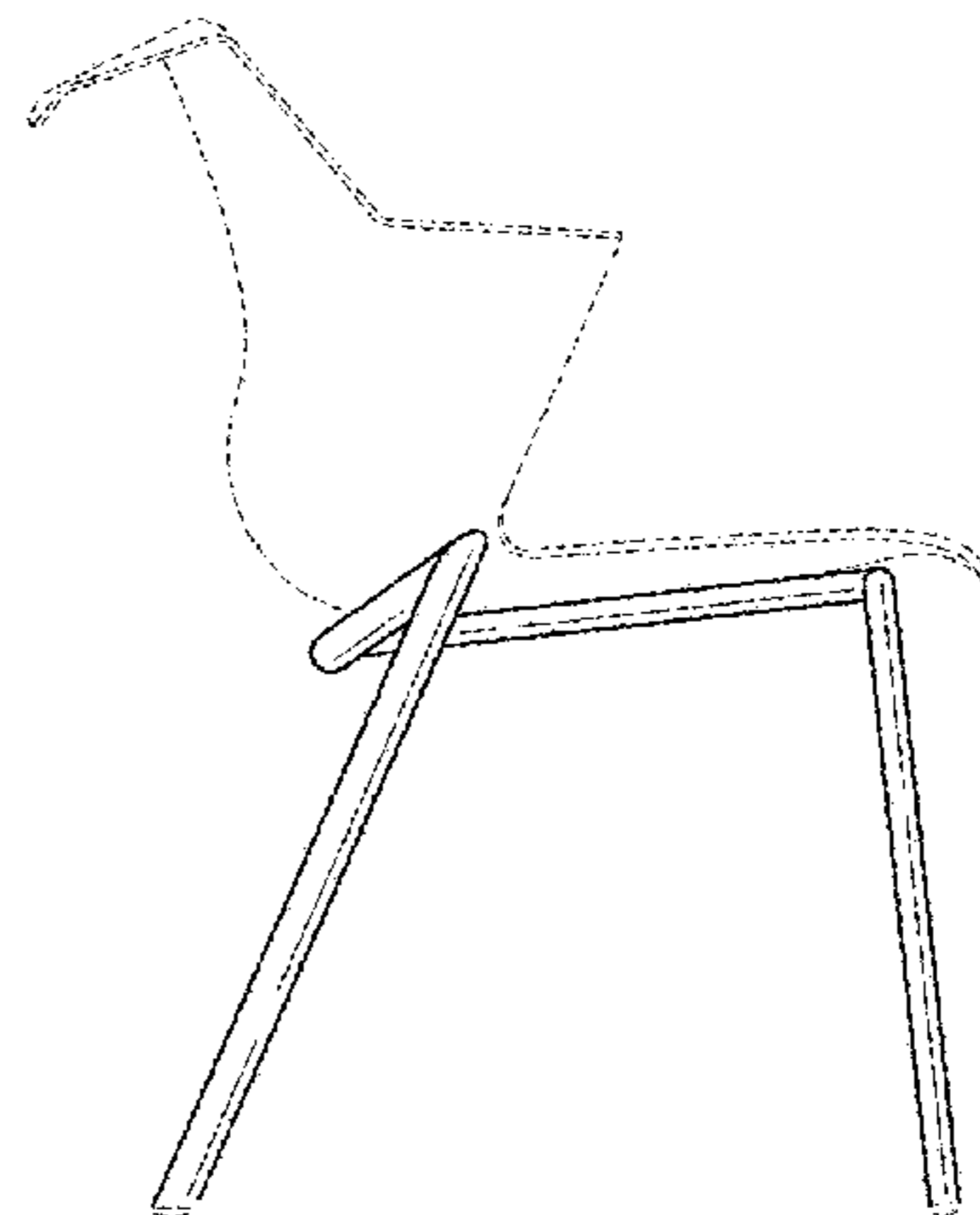
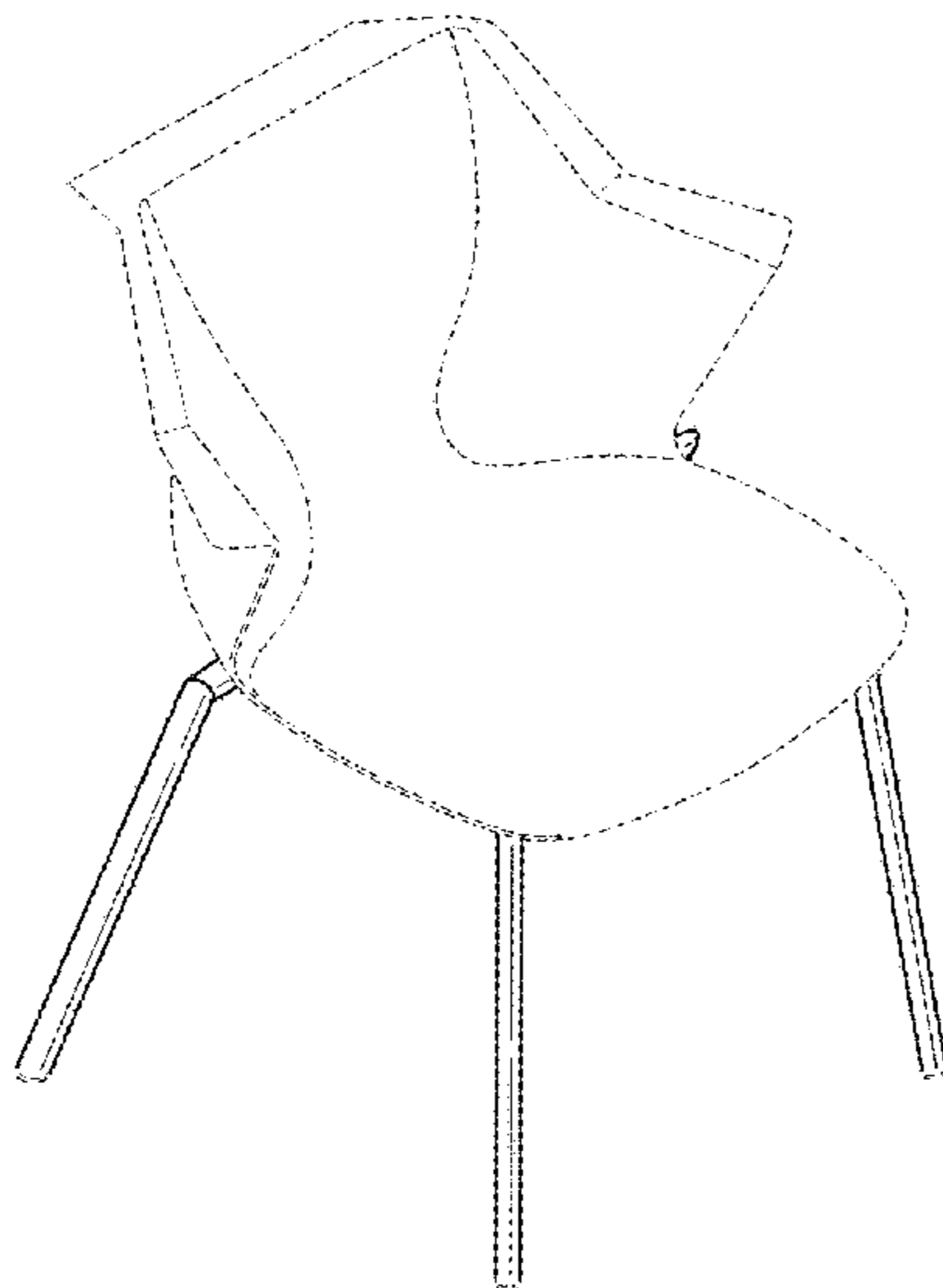
FIG. 1 is a front isometric view of a four leg chair base;
 FIG. 2 is a front elevation view thereof;
 FIG. 3 is a rear elevation view thereof;
 FIG. 4 is a right side elevation view thereof;
 FIG. 5 is a left side elevation view thereof;
 FIG. 6 is a top plan view thereof; and,
 FIG. 7 is a bottom plan view thereof.
 The broken lines shown in the drawing views are included for purposes of illustrating environment and form no part of the claimed design.

1 Claim, 4 Drawing Sheets

(56) **References Cited**

U.S. PATENT DOCUMENTS

3,408,106 A	10/1968	Bolling	
D227,830 S	7/1973	Klose	
D443,991 S	6/2001	Picotti	
D493,973 S	8/2004	Olson	
D535,838 S	1/2007	Ritch	
D543,738 S *	6/2007	Quicoy	A47C 4/42 D6/368
D546,085 S	7/2007	Ritch	
D573,806 S *	7/2008	Pillet	D6/375
D609,037 S	2/2010	Miller et al.	
D636,619 S *	4/2011	Murdock	D6/708.16
D646,085 S	10/2011	Overthun et al.	



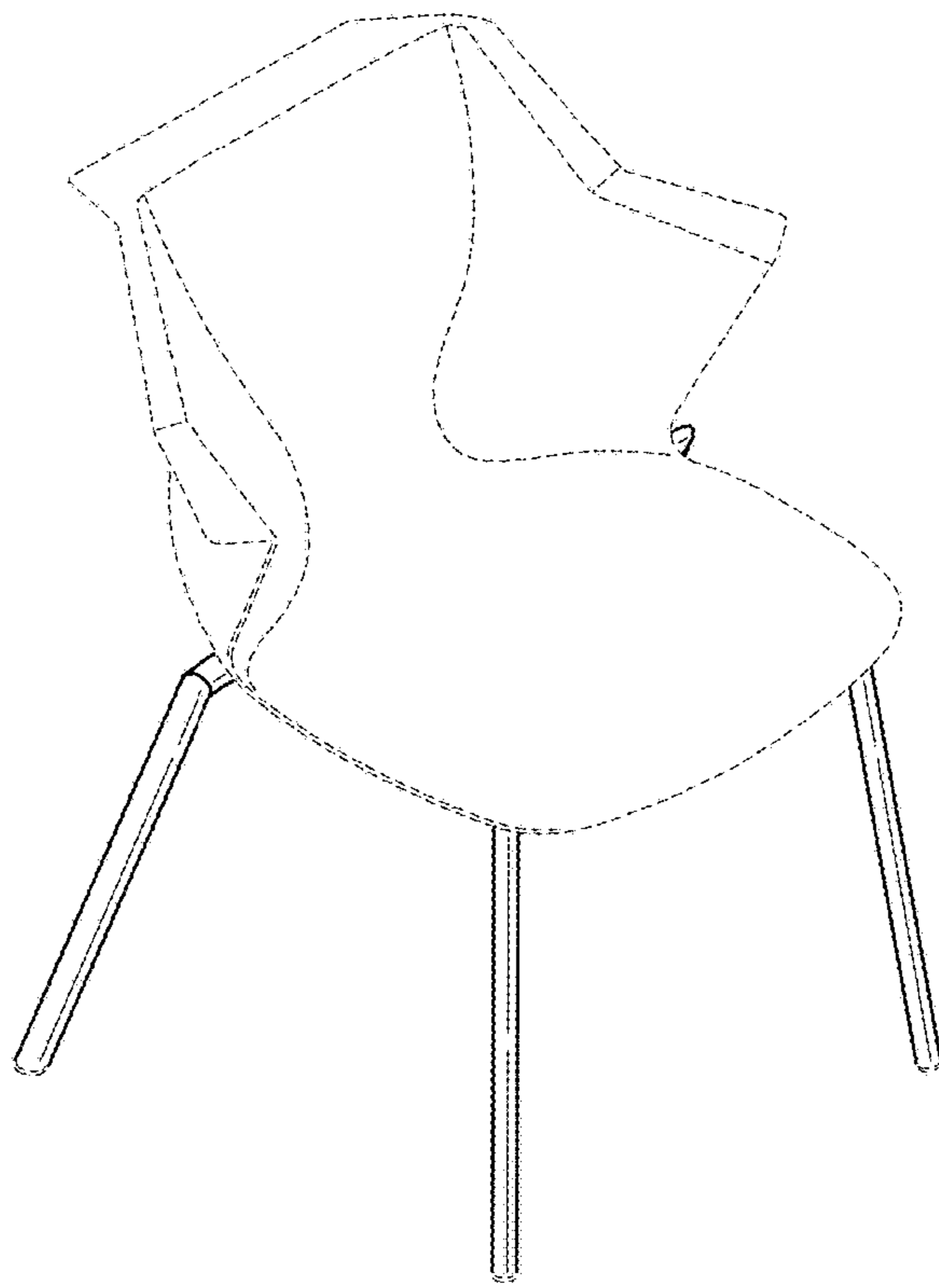


FIG. 1

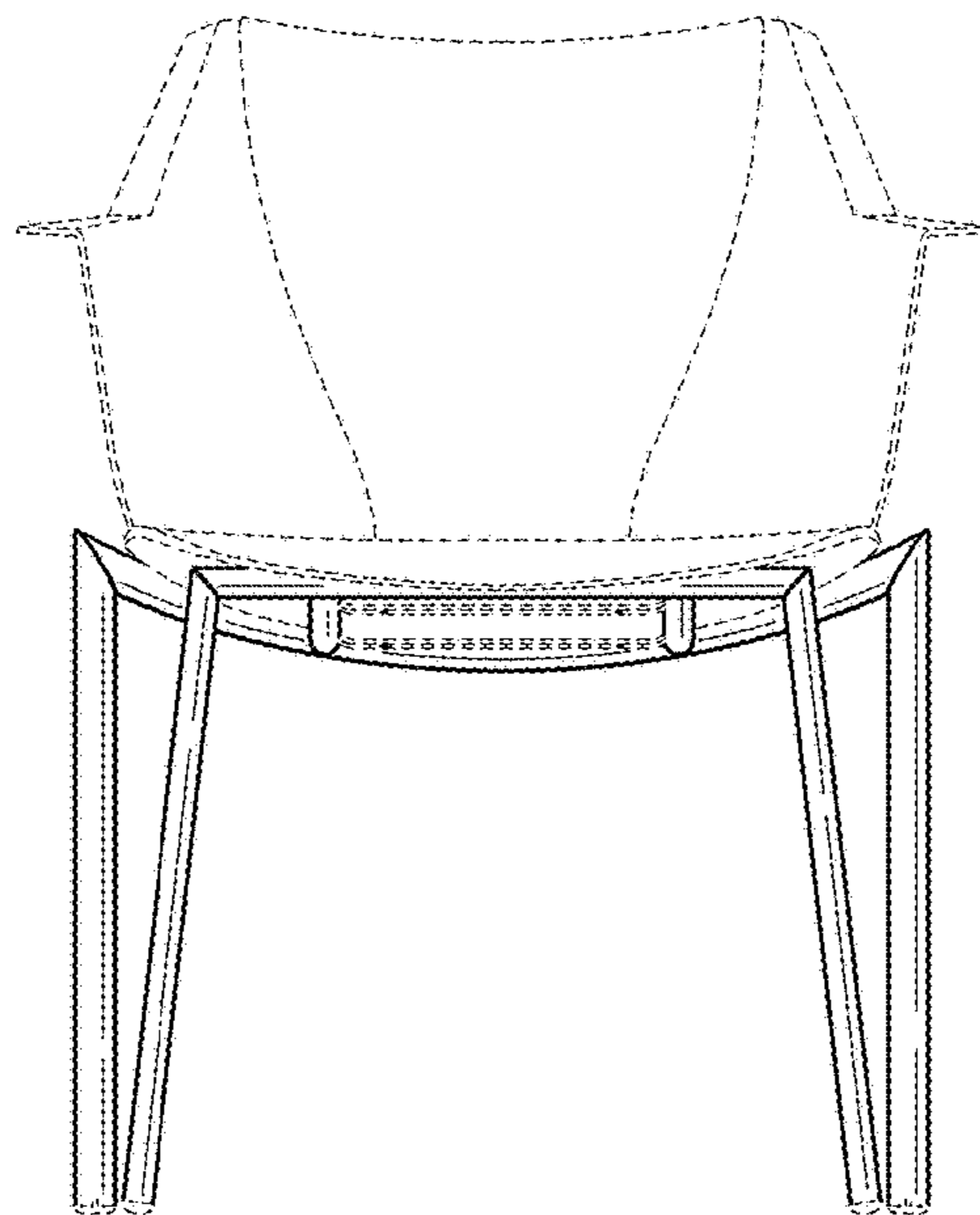


FIG. 2

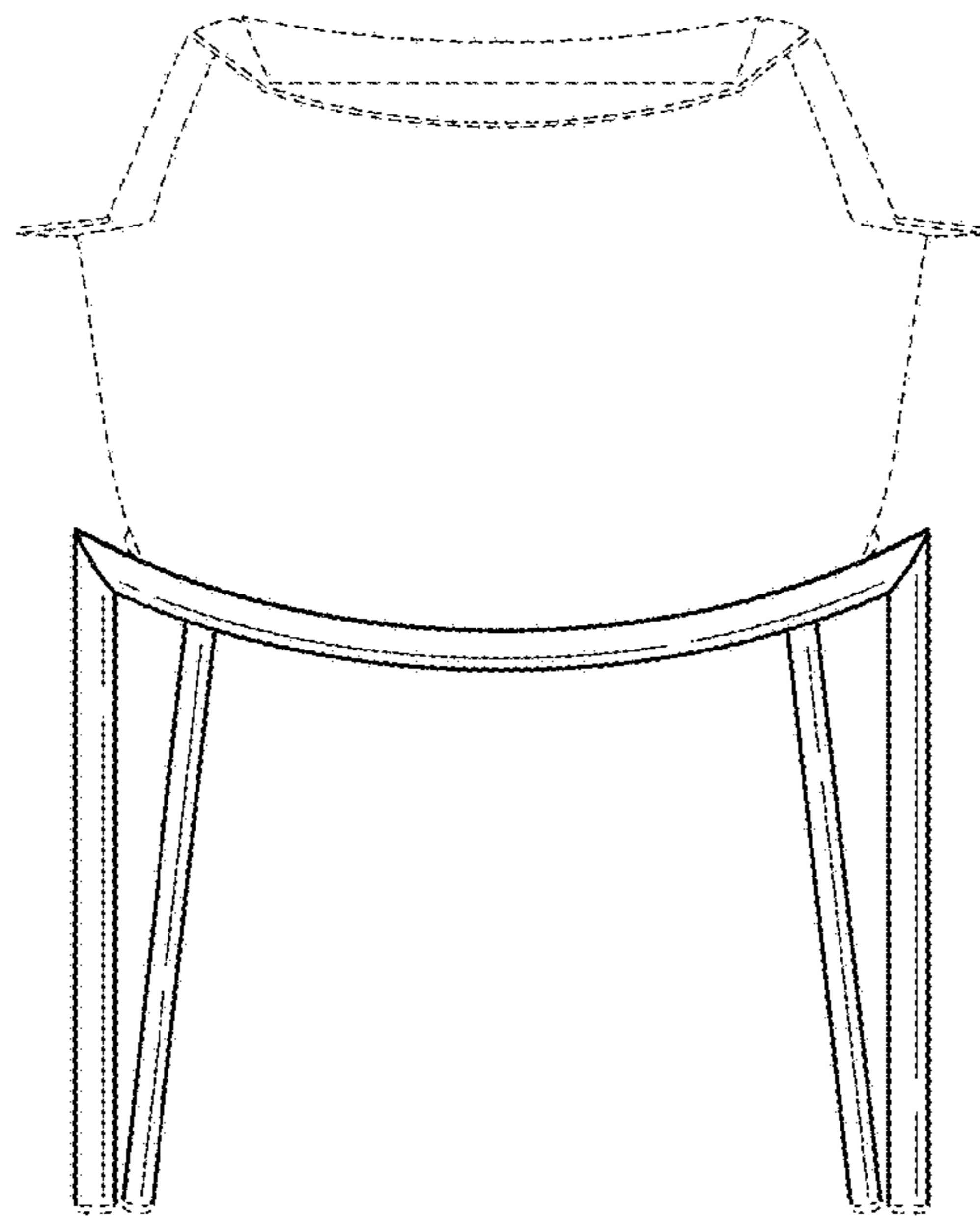


FIG. 3

FIG. 4

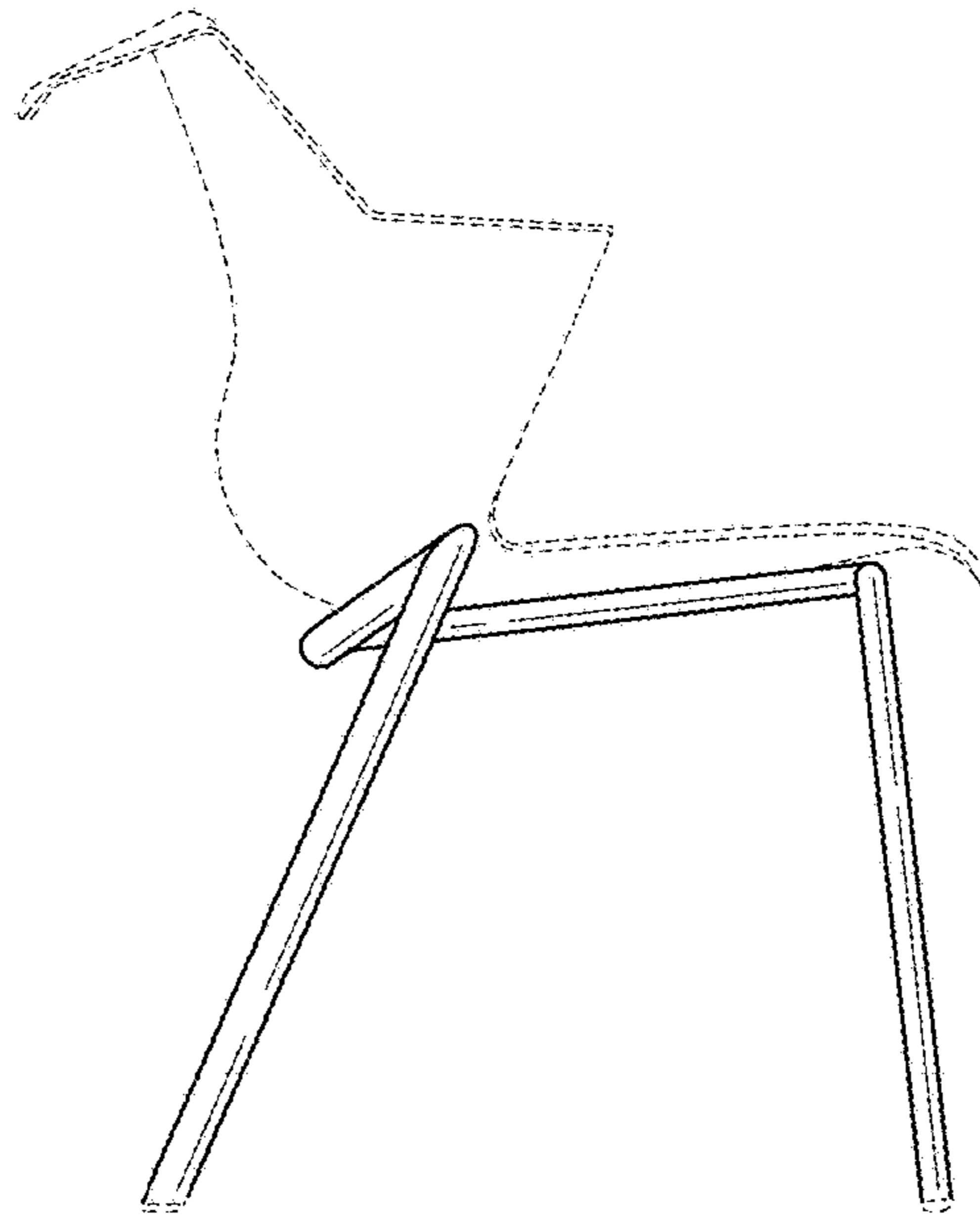
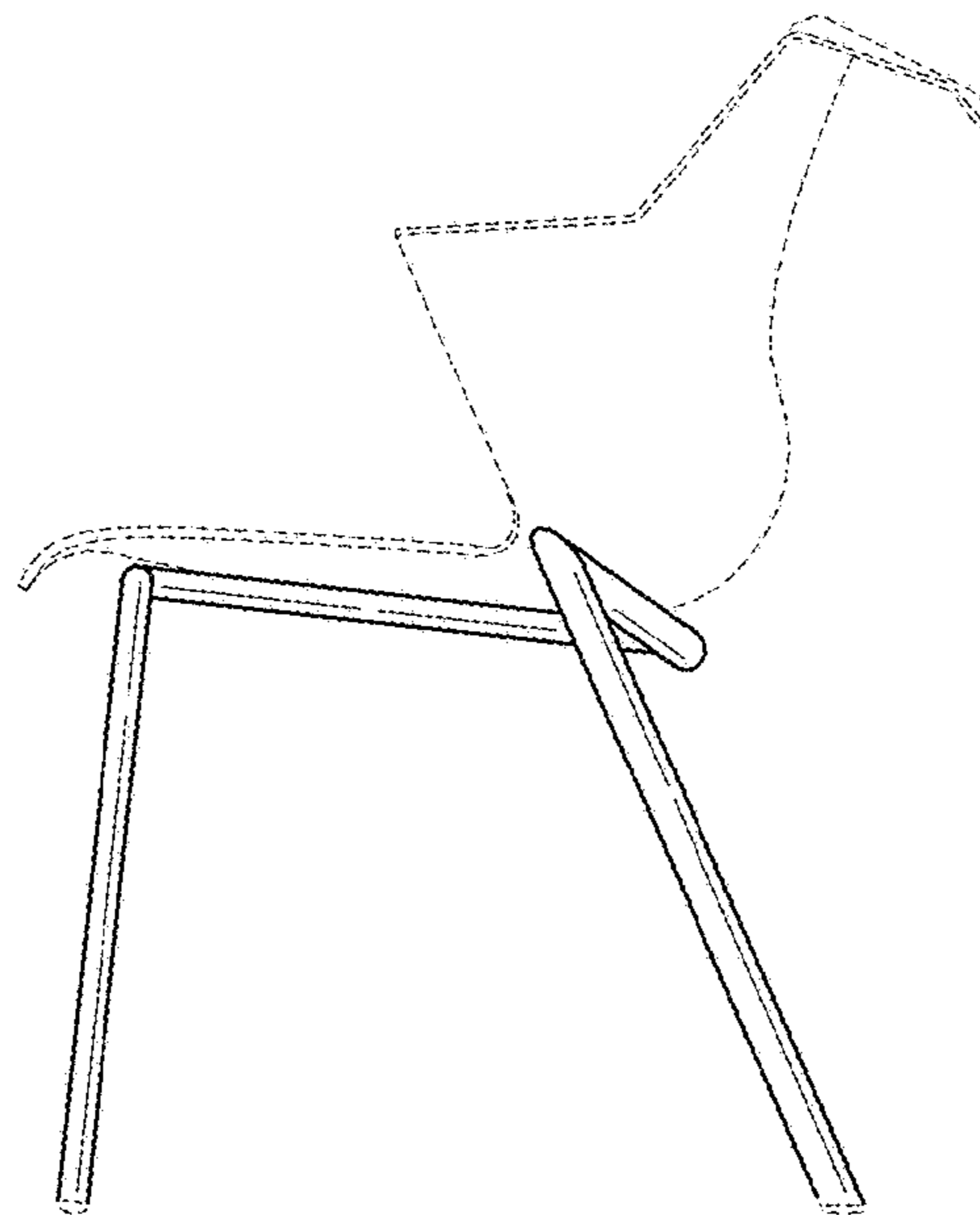


FIG. 5



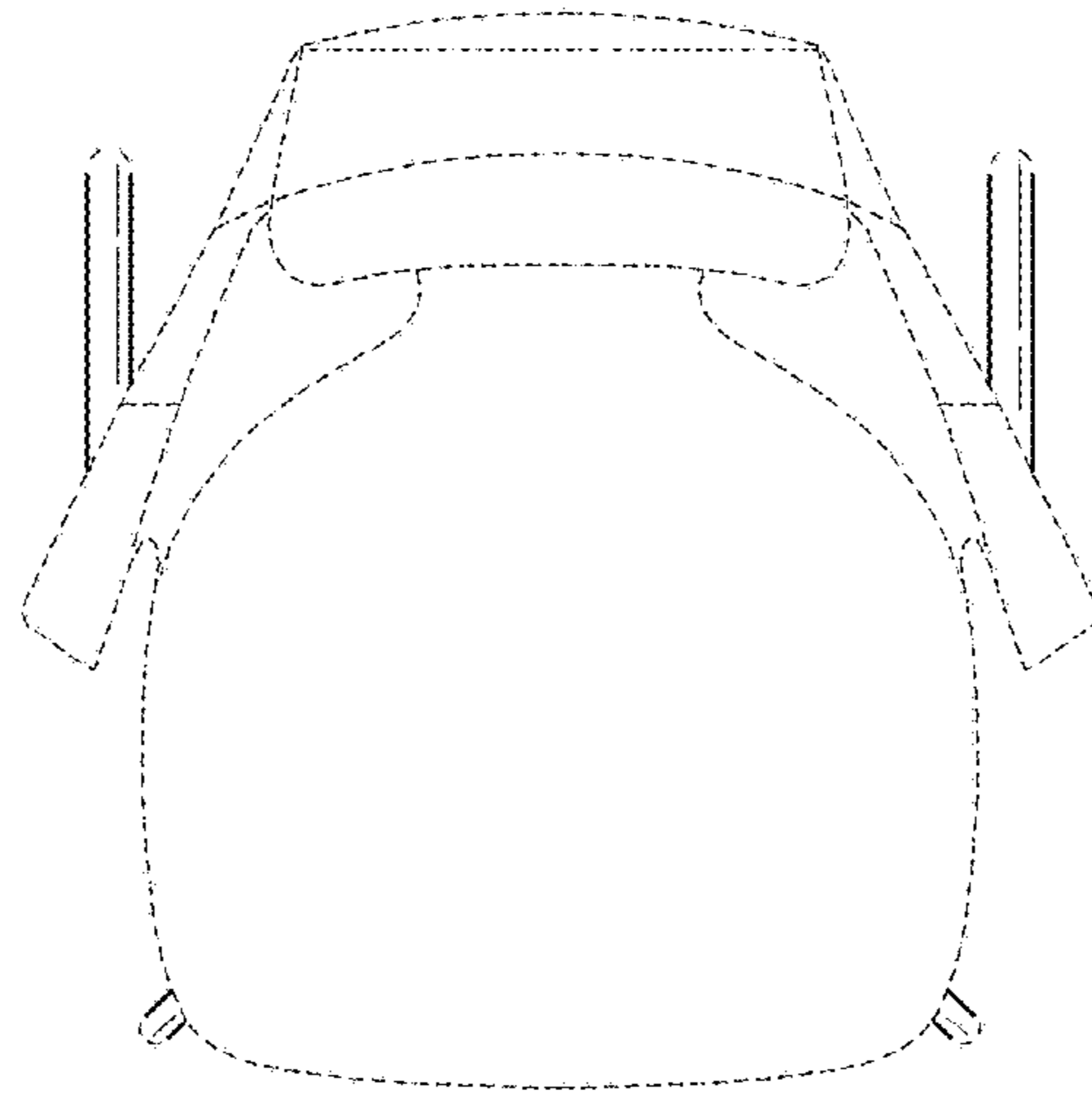


FIG. 6

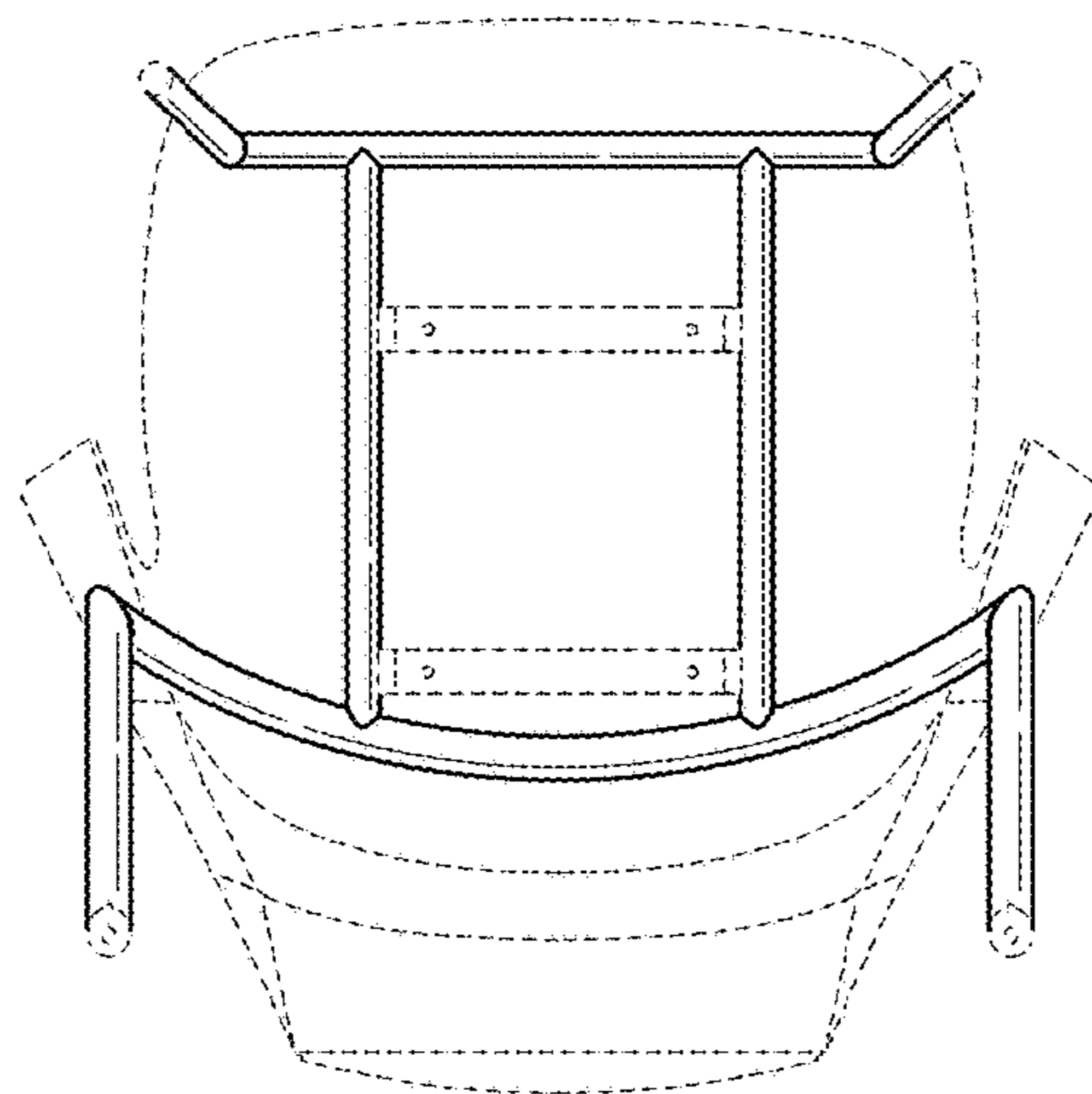


FIG. 7