



US00D858163S

(12) **United States Design Patent** (10) **Patent No.:** **US D858,163 S**
Allen et al. (45) **Date of Patent:** **** Sep. 3, 2019**

- (54) **SHELVING UNIT**
- (71) Applicant: **Steelcase Inc.**, Grand Rapids, MI (US)
- (72) Inventors: **John Mark Allen**, Grand Rapids, MI (US); **Colin Cote**, Grand Rapids, MI (US); **Bryan Mark Wahlfield**, Grand Rapids, MI (US); **Bradley Youngs**, Byron Center, MI (US)
- (73) Assignee: **Steelcase Inc.**, Grand Rapids, MI (US)
- (**) Term: **15 Years**
- (21) Appl. No.: **29/677,929**
- (22) Filed: **Jan. 24, 2019**

D422,171 S	4/2000	Mahlmann	
D429,095 S	8/2000	Grosfillex	
D429,582 S *	8/2000	Grosfillex D6/675.1
D450,510 S	11/2001	Gottwald	
D454,737 S	3/2002	Carrabba	
D477,169 S	7/2003	Hoernig	
D496,545 S	9/2004	McDiarmid	
D498,951 S *	11/2004	Yamaguchi D6/712
D552,975 S *	10/2007	Ahlund D8/381
D569,152 S	5/2008	Hefner et al.	
D577,939 S	10/2008	Rubin et al.	
D637,427 S *	5/2011	Troyner D6/705.6
D647,731 S *	11/2011	Kotz D6/707
D695,555 S	12/2013	Wind	

(Continued)

Primary Examiner — Kelley A Donnelly
(74) *Attorney, Agent, or Firm* — Brinks Gilson & Lione

Related U.S. Application Data

- (63) Continuation of application No. 29/642,622, filed on Mar. 30, 2018, now Pat. No. Des. 845,043.
- (51) **LOC (12) Cl.** **06-06**
- (52) **U.S. Cl.**
USPC **D6/705**
- (58) **Field of Classification Search**
USPC ... D6/382–384, 406.1–406.5, 654, 704, 705, D6/705.1, 707; D19/90–92
CPC A47B 57/00; A47B 57/08; A47B 57/16; A47B 96/02; A47B 96/025
See application file for complete search history.

References Cited

U.S. PATENT DOCUMENTS

897,076 A	8/1908	Eustis	
D238,531 S	1/1976	Vrignaud	
4,343,245 A	8/1982	Edwards	
4,865,402 A	9/1989	Walter	
4,946,050 A	8/1990	Akopianz	
D357,407 S *	4/1995	Pate D8/381
5,628,256 A *	5/1997	Lazarus A47B 47/0083
			108/110

(57) **CLAIM**

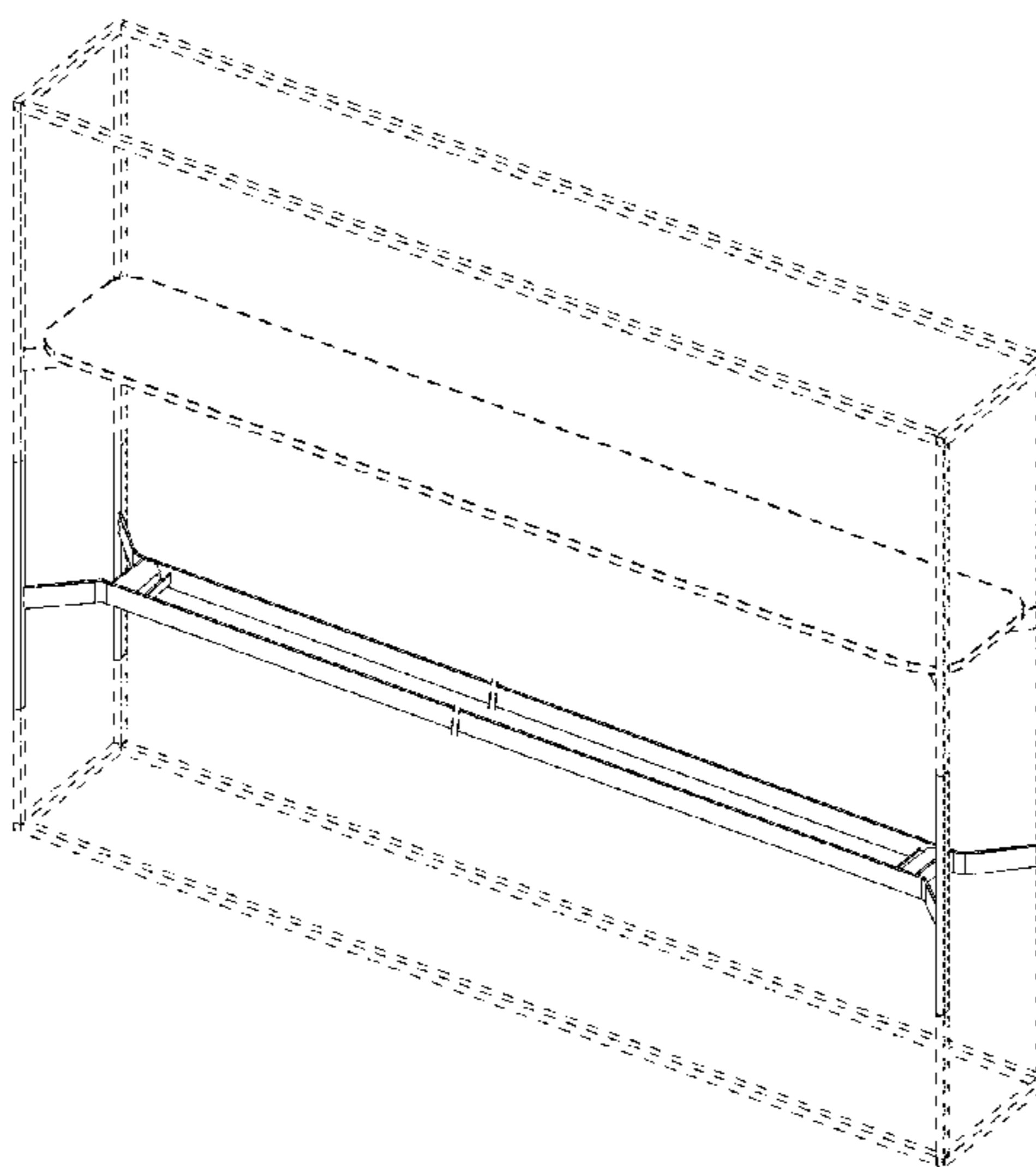
We claim the ornamental design for a shelving unit, as shown and described.

DESCRIPTION

FIG. 1 is a top front perspective view of a shelving unit; FIG. 2 is a rear elevation view thereof; FIG. 3 is a front elevation view thereof; FIG. 4 is a left side elevation view thereof; FIG. 5 is a right side elevation view thereof; FIG. 6 is a top plan view thereof; FIG. 7 is a bottom plan view thereof; FIG. 8 is a bottom front perspective view thereof; and, FIG. 9 is a top rear perspective view thereof.

Uniform broken lines show environmental structure that forms no part of the presently claimed design, while the dash-dot-dash phantom lines of symbolic break illustrate that the marked items can vary dimensionally along the interrupted axis within the scope of the presently claimed design, and the portion of the design between those phantom break lines forms no part of the claimed design.

1 Claim, 7 Drawing Sheets



(56)

References Cited

U.S. PATENT DOCUMENTS

D702,541 S *	4/2014	Mansor	D8/381
D709,107 S *	7/2014	Kim	D15/89
D715,073 S	10/2014	Simonetti	
D730,664 S	6/2015	Klein et al.	
D785,978 S	5/2017	Brown et al.	
D819,377 S	6/2018	Brown et al.	
D821,788 S	7/2018	Velez et al.	
2010/0205868 A1	8/2010	Williams et al.	

* cited by examiner

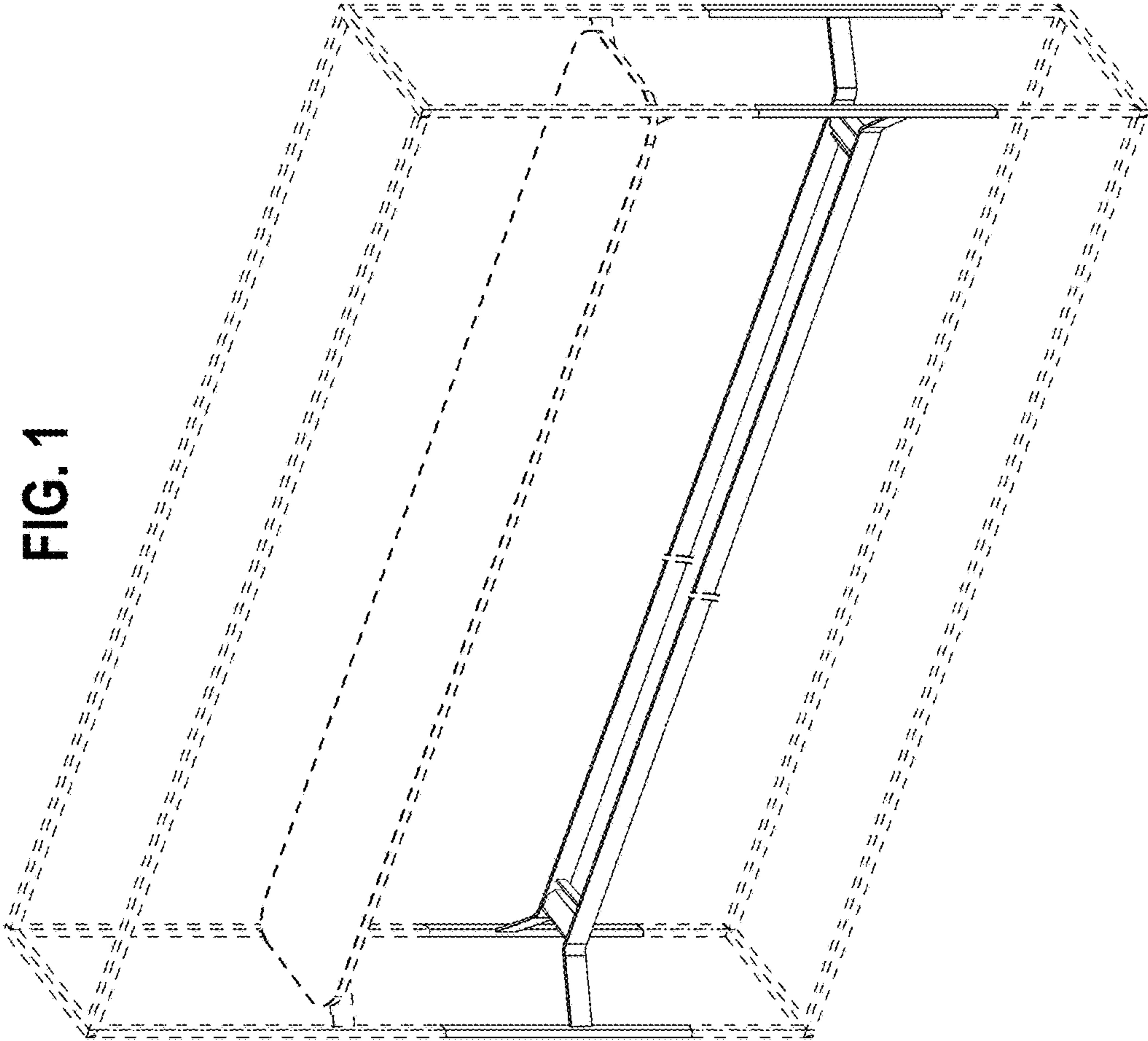


FIG. 1

FIG. 2

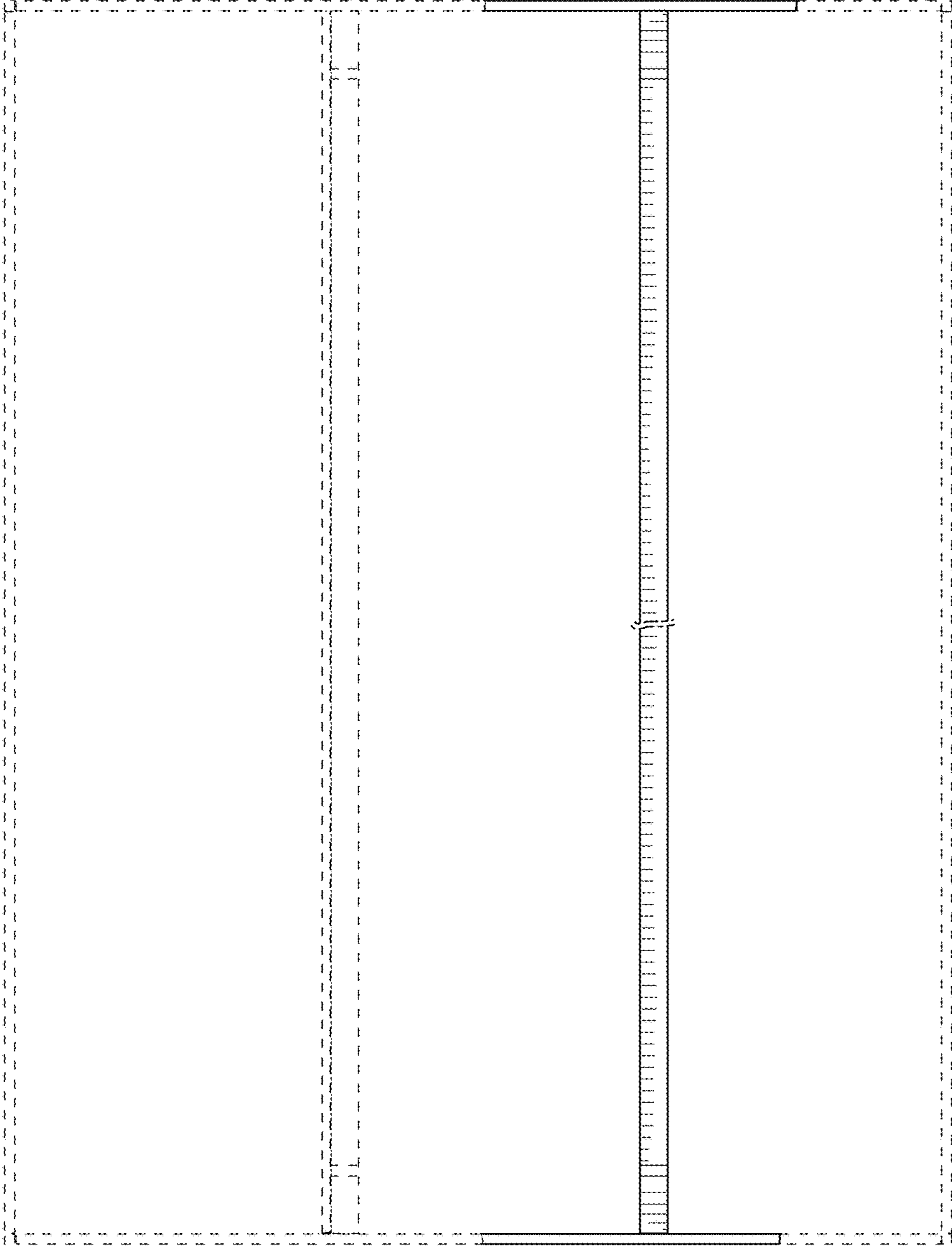


FIG. 3

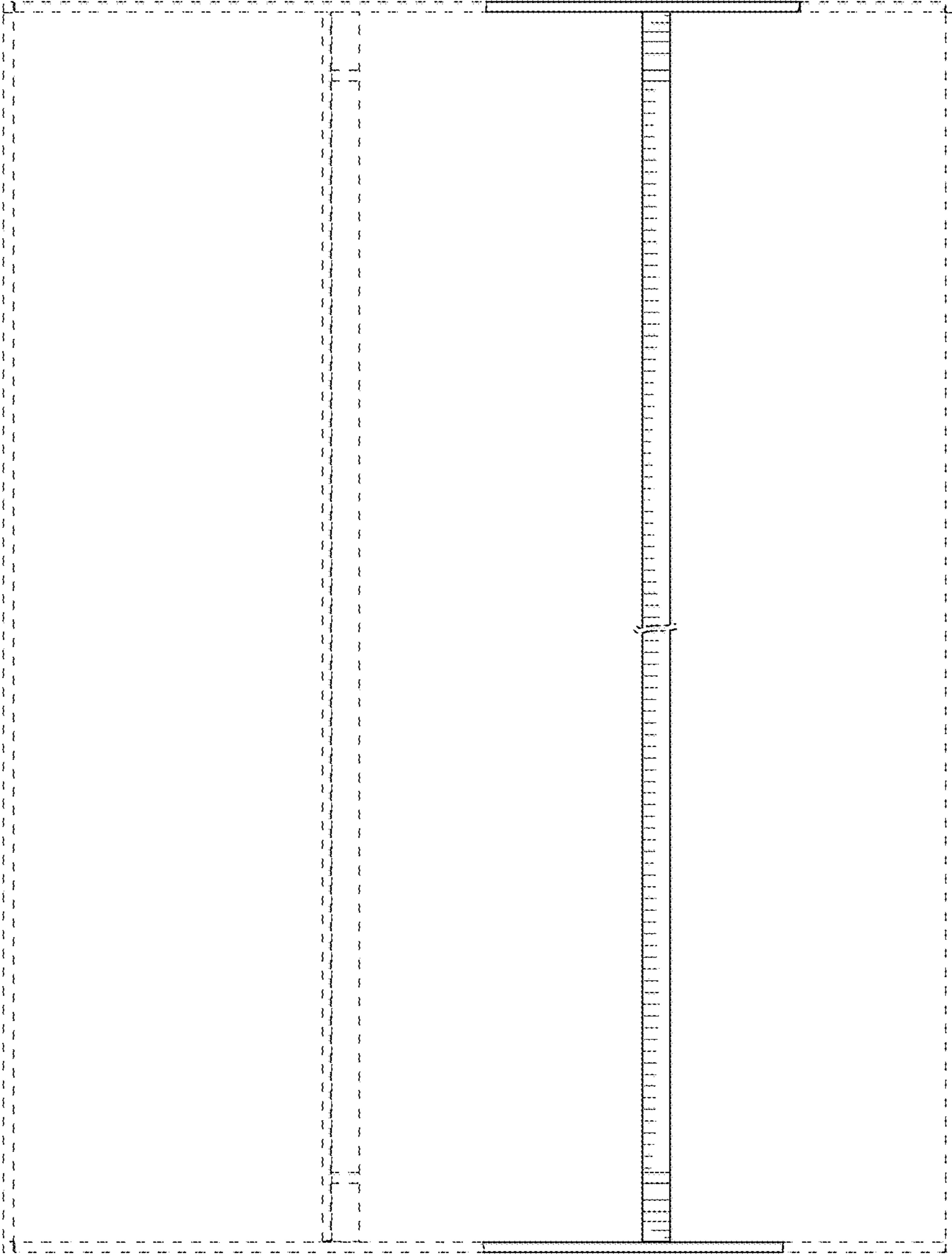


FIG. 5

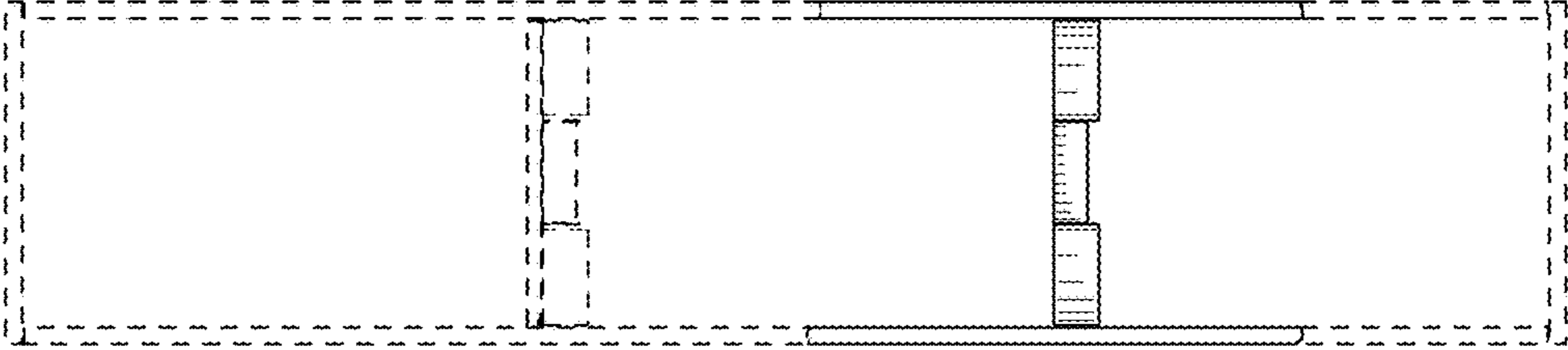


FIG. 4

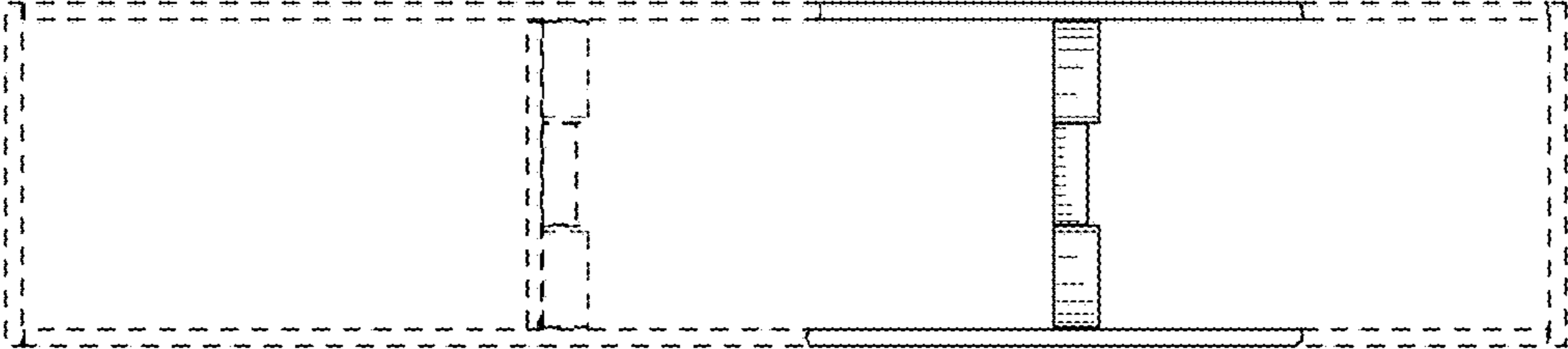


FIG. 6

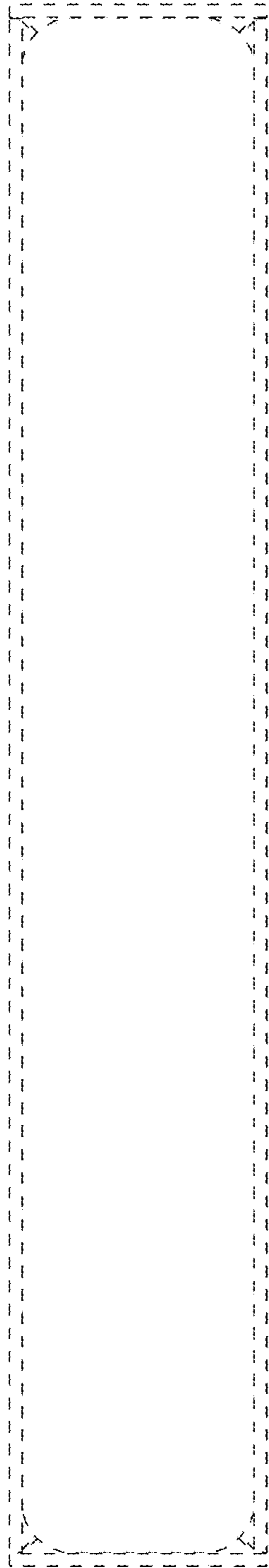
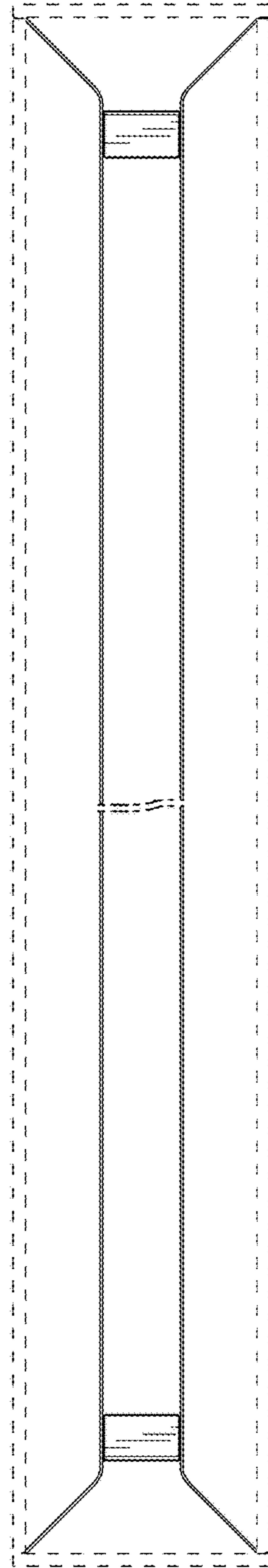


FIG. 7



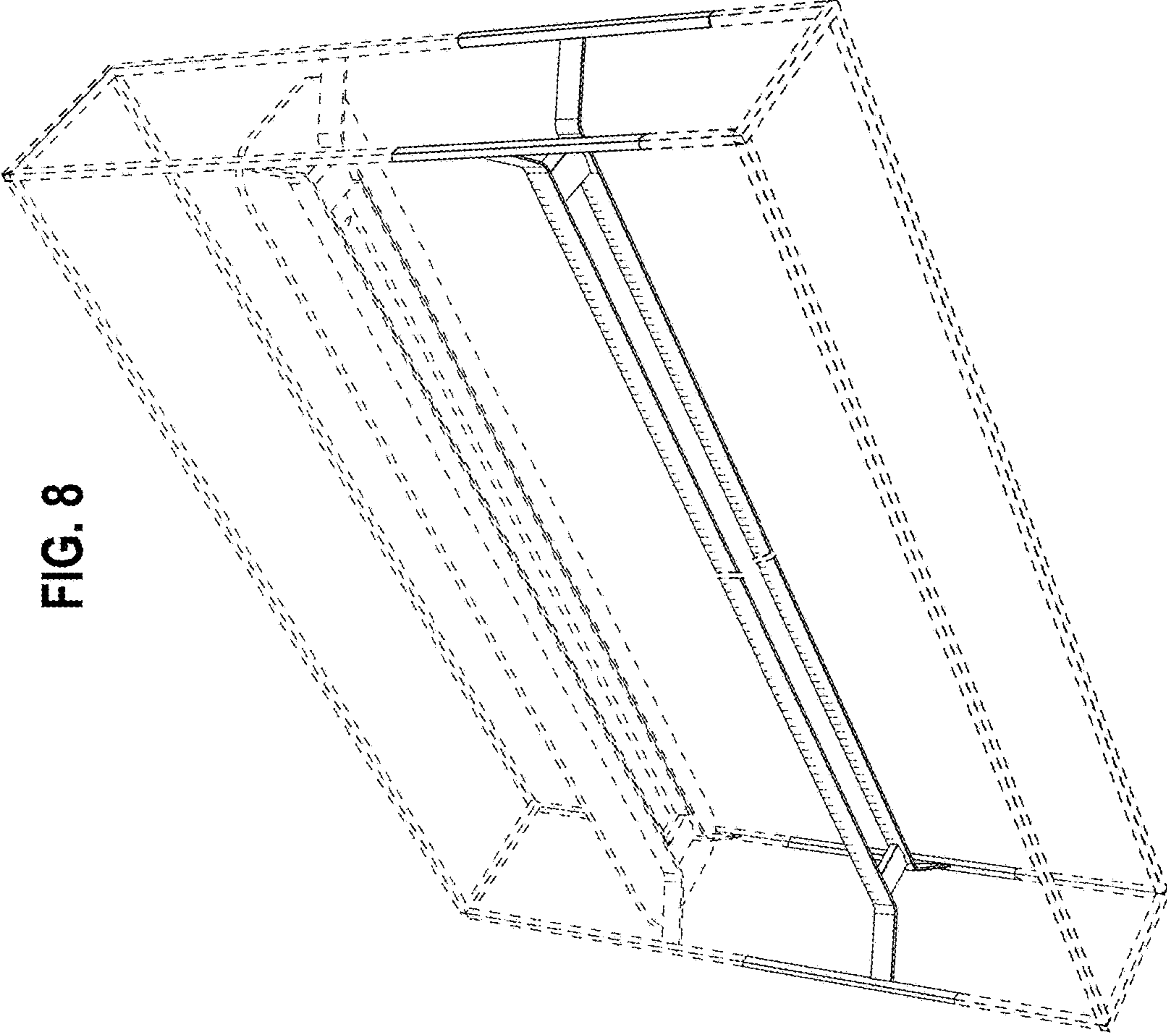


FIG. 8

FIG. 9

