



US00D858161S

(12) **United States Design Patent** (10) **Patent No.:** **US D858,161 S**  
**Everson et al.** (45) **Date of Patent:** **\*\* Sep. 3, 2019**

(54) **COCKTAIL TABLE**

(56) **References Cited**

(71) Applicant: **Ashley Furniture Industries, Inc.**,  
Arcadia, WI (US)  
(72) Inventors: **Terry Everson**, Blair, WI (US); **Randy Domack**, Holmen, WI (US)  
(73) Assignee: **ASHLEY FURNITURE INDUSTRIES, INC.**, Arcadia, WI (US)  
(\*\*) Term: **15 Years**  
(21) Appl. No.: **29/670,898**  
(22) Filed: **Nov. 20, 2018**

U.S. PATENT DOCUMENTS

D111,581 S 10/1938 Frey  
D193,790 S 10/1962 Ohlsson et al.  
D278,959 S 5/1985 Berry, Jr.  
D345,475 S 3/1994 Ferguson  
D364,765 S \* 12/1995 Martin ..... D6/708.14  
D402,142 S \* 12/1998 Muller ..... D6/692  
D499,584 S 12/2004 Domack et al.  
D511,057 S 11/2005 Mohundro  
7,003,821 B2 \* 2/2006 DeHart et al. .... 5/93.1  
D531,432 S \* 11/2006 Domack et al. .... D6/688.19  
(Continued)

OTHER PUBLICATIONS

Antigo Coffee Table, posted at Amazon.com, posted on Nov. 29, 2016, site visited Mar. 7, 2018. online, available from internet: <https://www.amazon.com/Ashley-Furniture-Signature-Oesign-Contemporary/dp/B007B6ZBH8>.

**Related U.S. Application Data**

(62) Division of application No. 29/600,174, filed on Apr. 10, 2017, now Pat. No. Des. 833,786.  
(51) **LOC (12) Cl.** ..... **06-03**  
(52) **U.S. Cl.**  
USPC ..... **D6/691.6**  
(58) **Field of Classification Search**  
USPC ..... D6/641, 657, 685, 686, 689, 690, 691, D6/691.1, 691.2, 691.3, 691.4, 691.5, D6/691.6, 691.7, 691.8, 691.9, 699, D6/699.1, 699.2, 699.3, 699.4, 699.5, D6/702, 707, 707.15, 708, 709  
CPC .. A47B 37/00; A47B 3/00; A47B 1/00; A47B 3/06; A47B 3/08; A47B 7/00; A47B 21/00; A47B 23/00; A47B 25/00; A47B 13/08; A47B 3/083; A47B 3/14; A47B 41/00; A47B 17/00; A47B 3/0809; A47B 3/0812; A47B 2013/026; A47B 2200/03; A47B 2200/00; A47B 2003/0821; A47C 3/045

*Primary Examiner* — Mary Ann Calabrese  
*Assistant Examiner* — Catherine Ho  
(74) *Attorney, Agent, or Firm* — McAndrews, Held & Malloy, Ltd.

(57) **CLAIM**

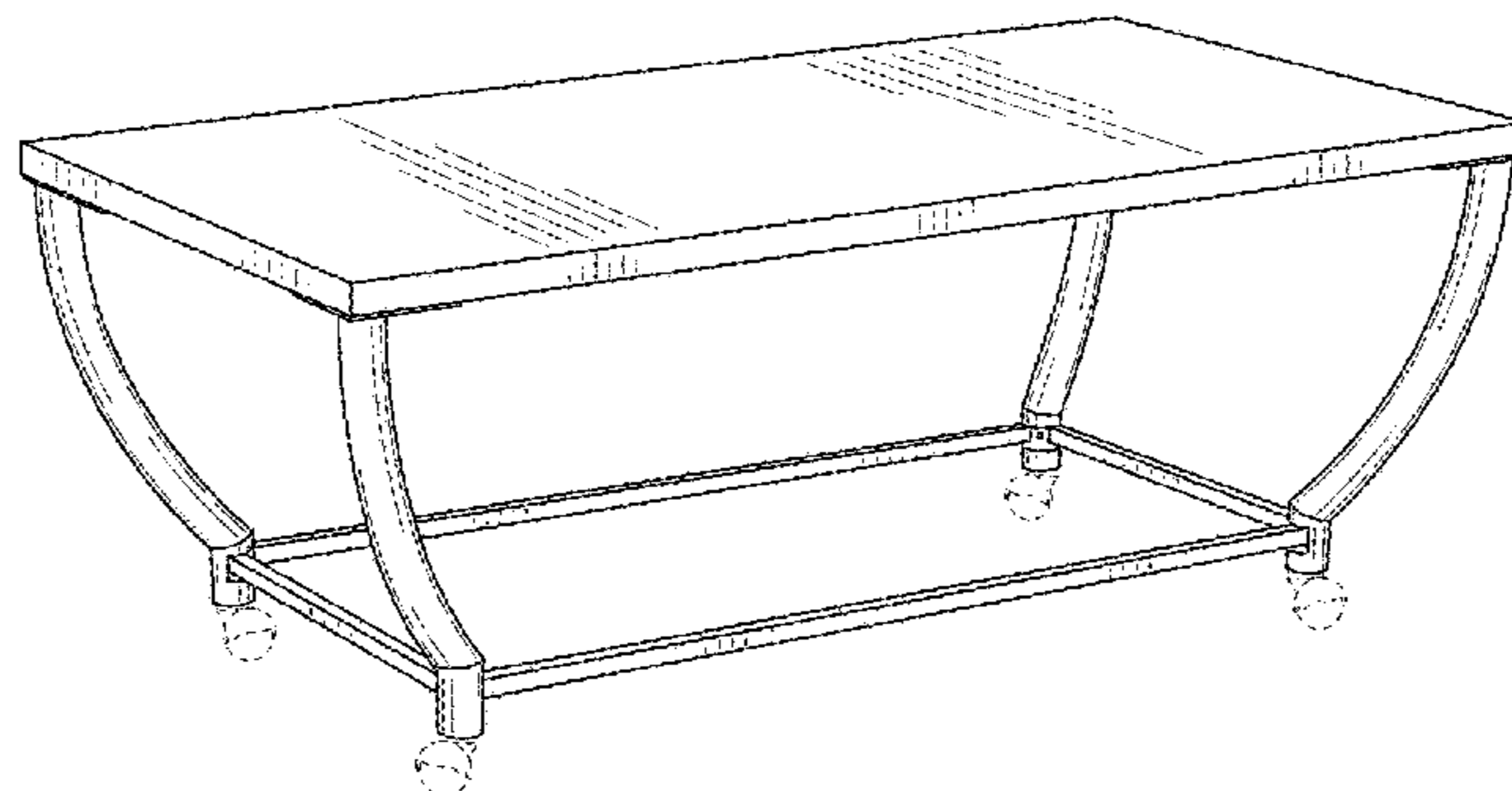
The ornamental design for a cocktail table, as shown and described.

**DESCRIPTION**

FIG. 1 is a front perspective view of a cocktail table showing our new design;  
FIG. 2 is a front elevation view thereof, the rear elevation view being a mirror image thereof;  
FIG. 3 is a right side elevation view thereof, the left side elevation view being a mirror image thereof; and,  
FIG. 4 is a top plan view thereof.  
The dashed broken lines in the figures illustrate portions of the cocktail table that form no part of the claimed design. Views of the cocktail table that are not shown in the figures form no part of the claimed design.

See application file for complete search history.

**1 Claim, 3 Drawing Sheets**



(56)

**References Cited**

U.S. PATENT DOCUMENTS

D535,837 S	1/2007	Lowsky	
D552,887 S	10/2007	Everson et al.	
D552,888 S *	10/2007	Everson .....	D6/691.1
D552,890 S	10/2007	Domack et al.	
D552,892 S *	10/2007	Everson .....	D6/692
D552,893 S *	10/2007	Everson .....	D6/692.6
D615,322 S	5/2010	Doughty et al.	
D616,231 S *	5/2010	Troutman .....	D6/709
D616,677 S *	6/2010	Troutman .....	D6/702
D622,085 S *	8/2010	Bacon .....	D6/691.1
D670,104 S	11/2012	Li et al.	
D759,410 S *	6/2016	Schmitt .....	D6/688.11
D833,786 S *	11/2018	Everson .....	D6/691.6
D841,376 S *	2/2019	Lim .....	D6/688.19

\* cited by examiner

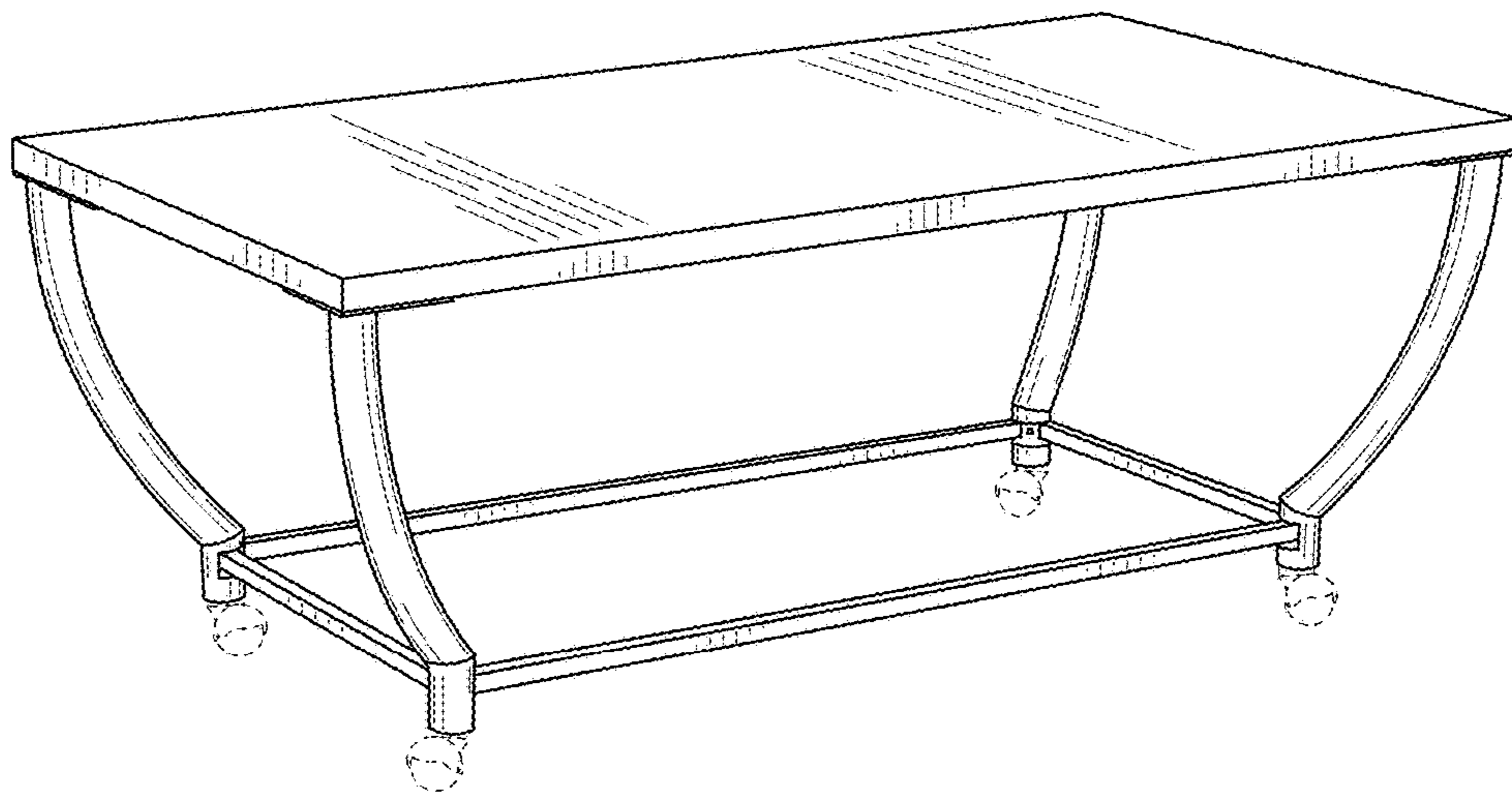


FIG. 1

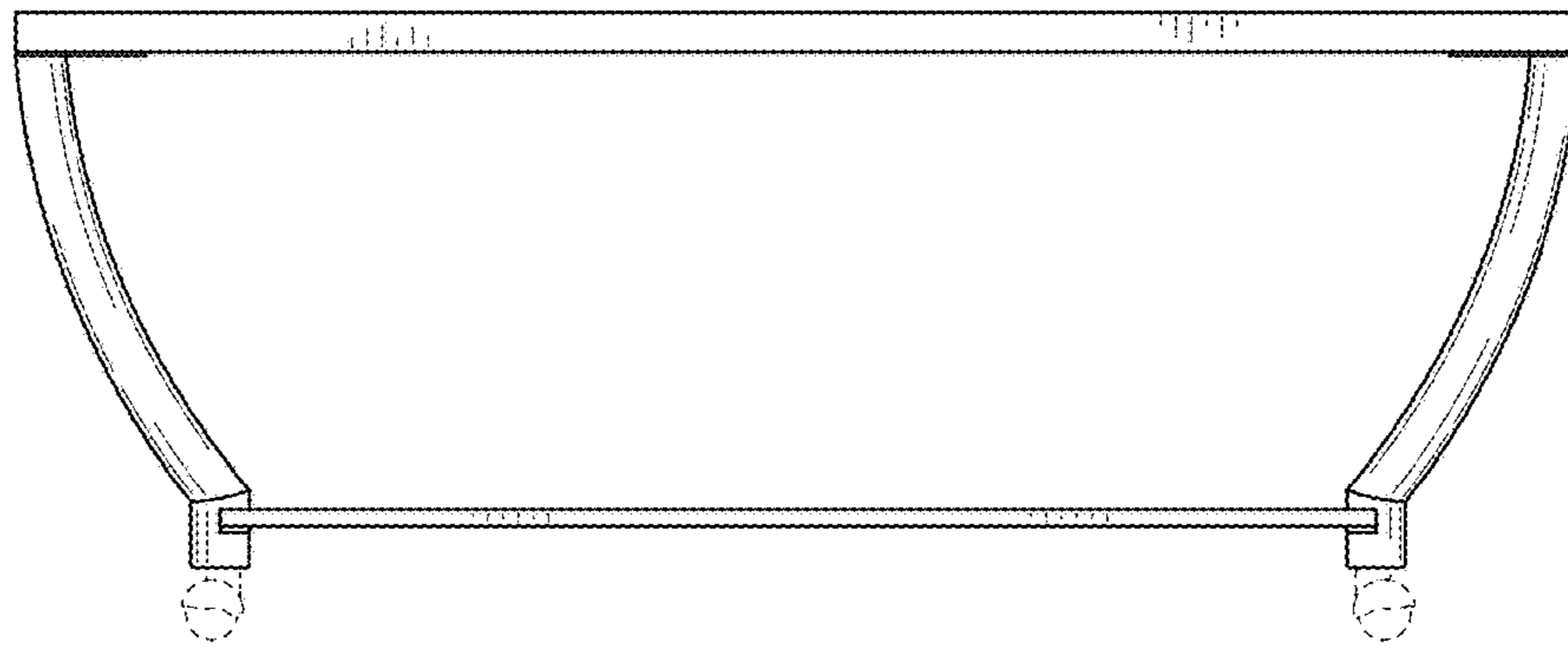


FIG. 2

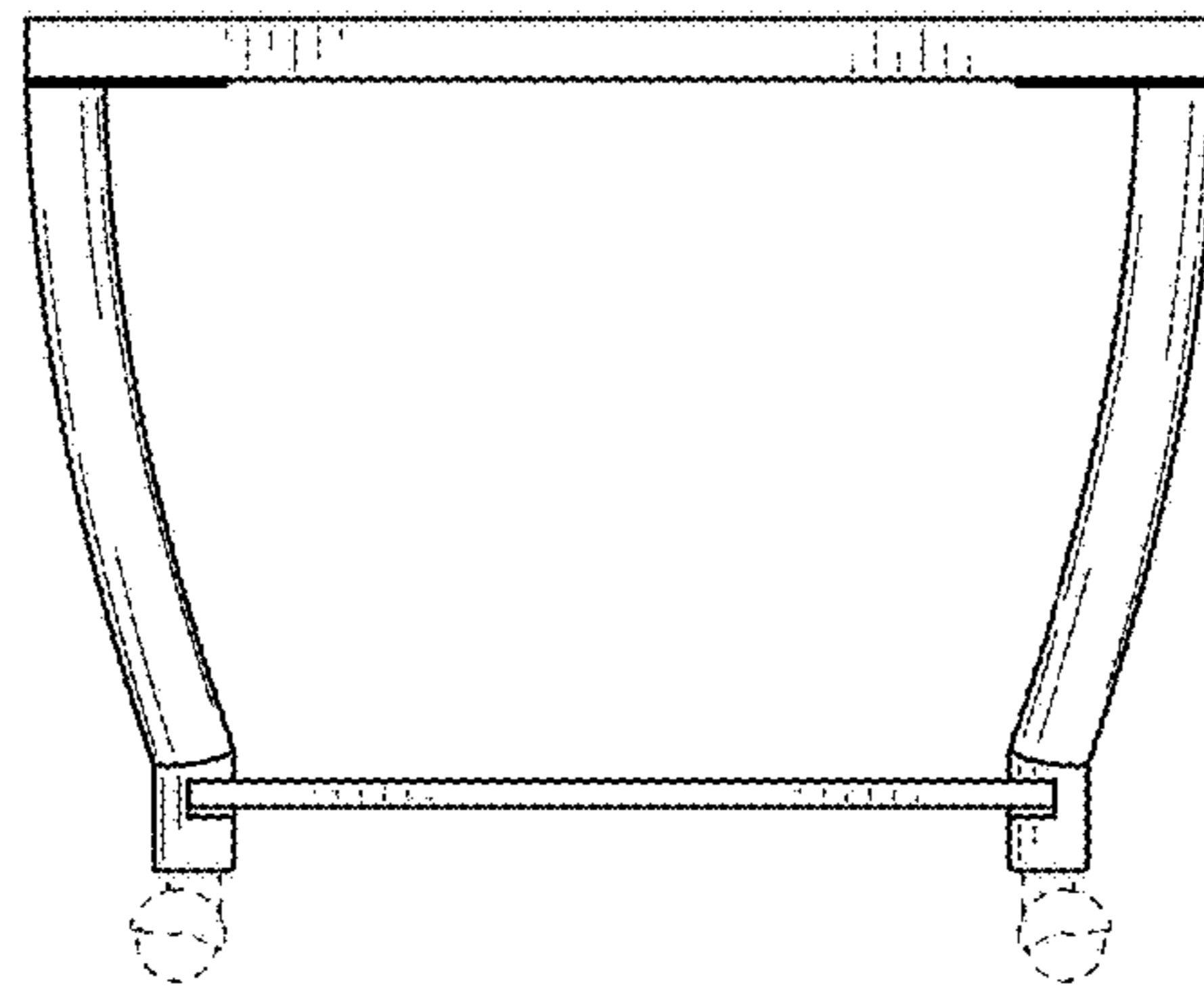


FIG. 3



FIG. 4