



US00D858160S

(12) **United States Design Patent**
Flores

(10) **Patent No.:** **US D858,160 S**
(45) **Date of Patent:** **** Sep. 3, 2019**

(54) **PORTABLE TABLE**
(71) Applicant: **Tabletop Gear, LLC**, Tampa, FL (US)
(72) Inventor: **David Michael Flores**, Temple Terrace, FL (US)
(73) Assignee: **TABLETOP GEAR LLC**, Tampa, FL (US)
(**) Term: **15 Years**
(21) Appl. No.: **29/636,563**

5,720,226 A * 2/1998 Padovano A47B 23/002
108/25
6,487,977 B1 * 12/2002 Williams A45B 23/00
108/150
D621,641 S * 8/2010 Li D6/691.4
9,220,337 B1 * 12/2015 Wenzel A47B 13/021
D779,243 S * 2/2017 Wenzel A47B 13/021
D6/686
D831,444 S * 10/2018 Gu D7/701
D832,010 S * 10/2018 Tsukii D6/686
2014/0102337 A1 * 4/2014 Ralph A47B 37/04
108/25
2015/0208634 A1 * 7/2015 Box A01K 97/10
108/25

(Continued)

(22) Filed: **Feb. 9, 2018**
(51) **LOC (12) Cl.** **06-03**
(52) **U.S. Cl.**
USPC **D6/691.6**
(58) **Field of Classification Search**
USPC D6/406.3, 649, 650, 652, 654, 654.1,
D6/654.17, 655, 655.1, 655.11, 655.13,
D6/655.14, 655.18, 656, 656.12, 656.13,
D6/656.15, 656.16, 656.17, 656.19, 675,
D6/686, 687, 688, 691, 691.1, 691.6,
D6/694.2, 695, 695.1, 698, 707.19,
D6/708.21
CPC A47B 23/00; A47B 23/001; A47B 23/002;
A47B 3/00; A47B 3/08; A47B 3/083;
A47B 3/087; A47B 21/00; A47B 21/02;
A47B 21/03; A47B 21/06; A47B
21/0073; A47B 21/0076; A47B 21/0314;
B60N 3/002; B29C 63/04; B29C 63/02
See application file for complete search history.

(56) **References Cited**
U.S. PATENT DOCUMENTS

4,792,174 A * 12/1988 Shioda B60N 3/002
108/45
4,940,003 A * 7/1990 Mayhew B60N 3/002
108/25
5,542,360 A * 8/1996 Fleming A47B 23/04
108/23

OTHER PUBLICATIONS

Tabletop Gear, posted at Vimeo.com, posted on Jun. 18, 2017, site visited Jan. 14, 2019. online, available from internet: <https://vimeo.com/222113161> (Year: 2017).*

Primary Examiner — Mary Ann Calabrese
Assistant Examiner — Catherine Ho
(74) *Attorney, Agent, or Firm* — Shumaker, Loop & Kendrick, LLP

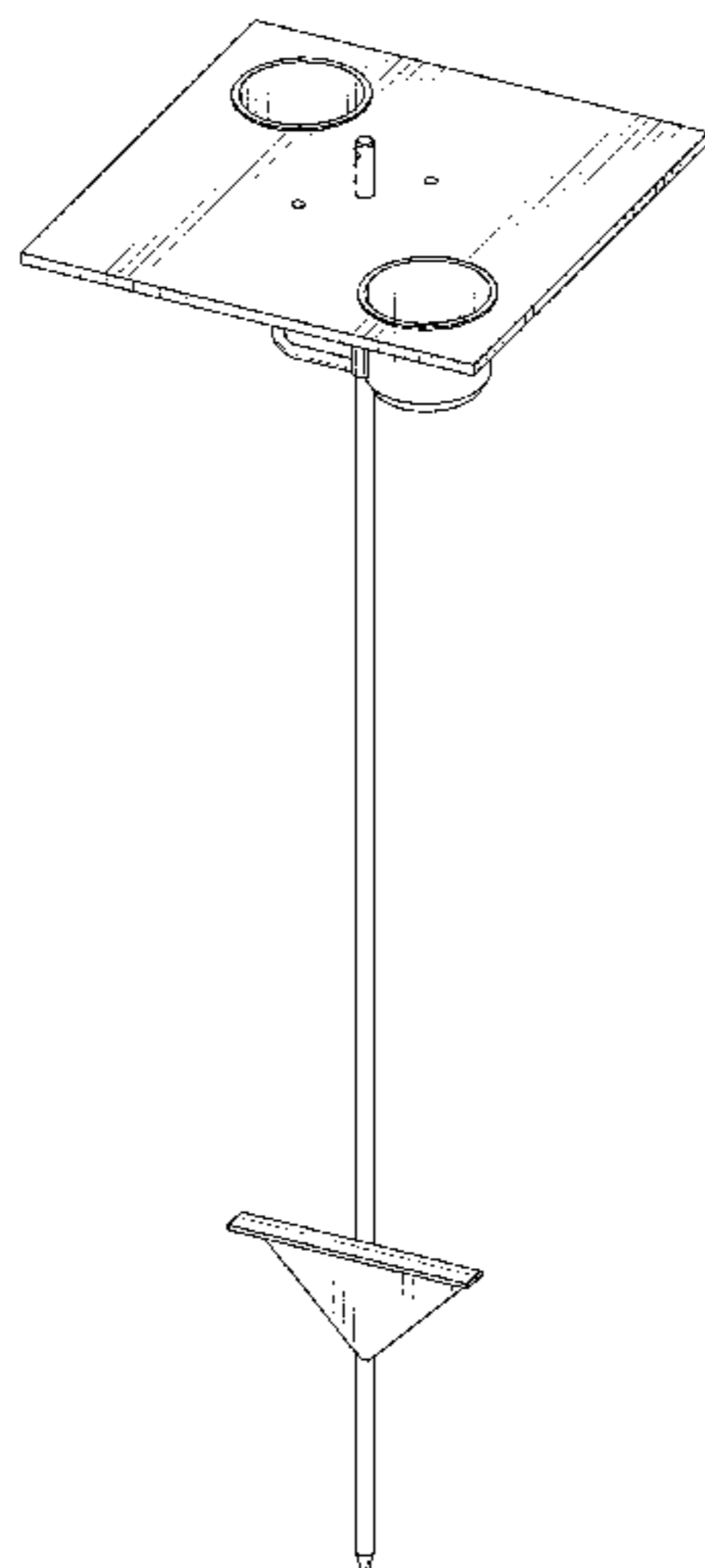
(57) **CLAIM**

The ornamental design for a portable table, as shown and described.

DESCRIPTION

FIG. 1 is a perspective view of a portable table, showing my new design;
FIG. 2 is a front view thereof;
FIG. 3 is a back view thereof;
FIG. 4 is a left side view thereof;
FIG. 5 is a right side view, which is a mirror image of the left side;
FIG. 6 is a top view thereof; and,
FIG. 7 is a bottom view thereof.

1 Claim, 6 Drawing Sheets



(56)

References Cited

U.S. PATENT DOCUMENTS

2017/0042321 A1* 2/2017 Clause A47B 13/003

* cited by examiner

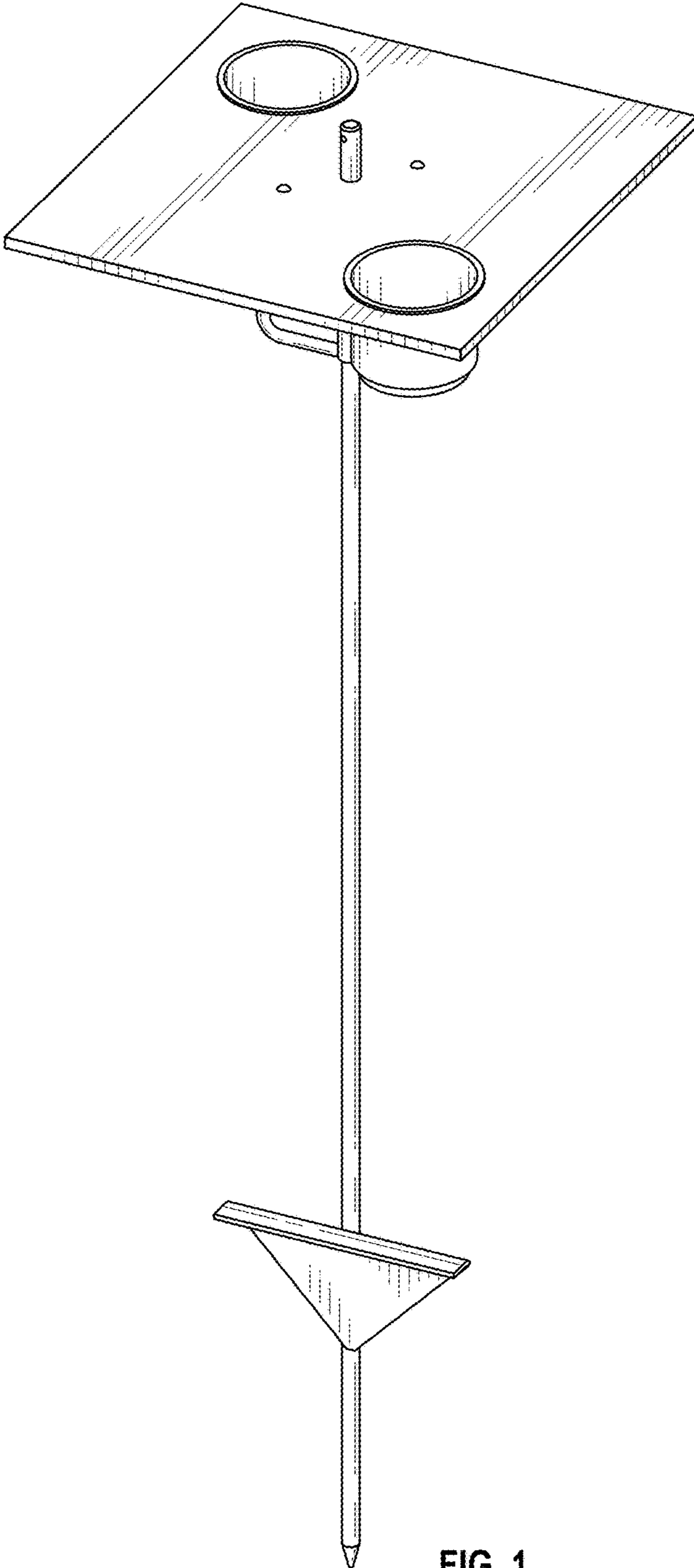


FIG. 1

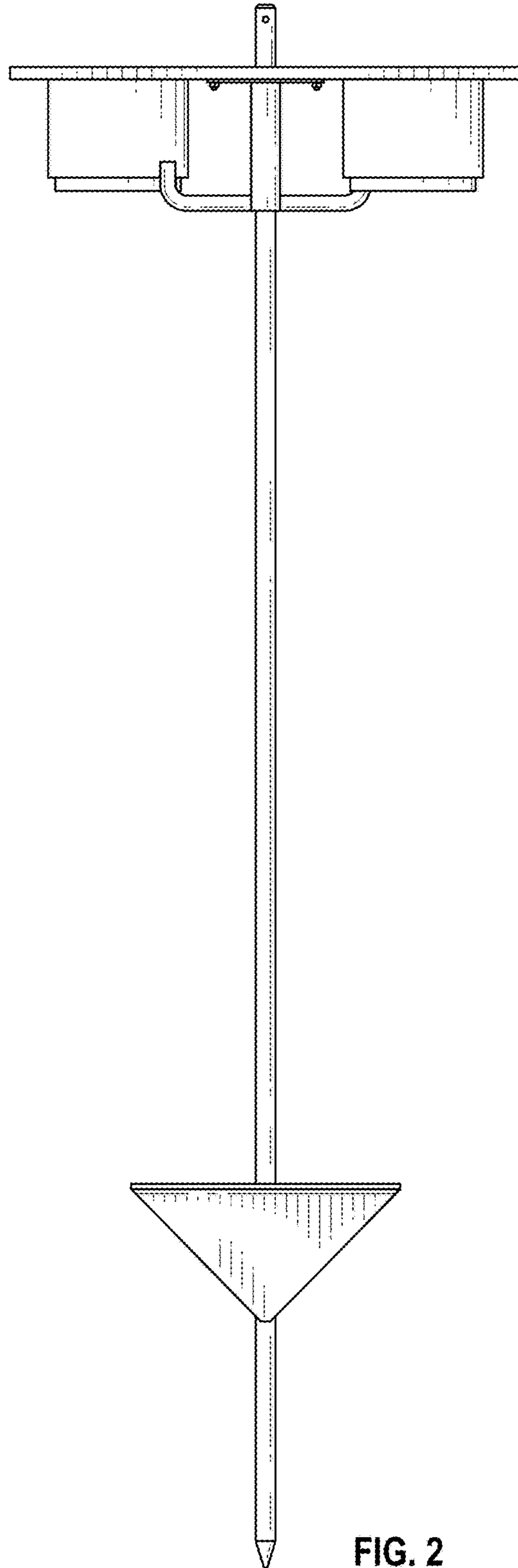


FIG. 2

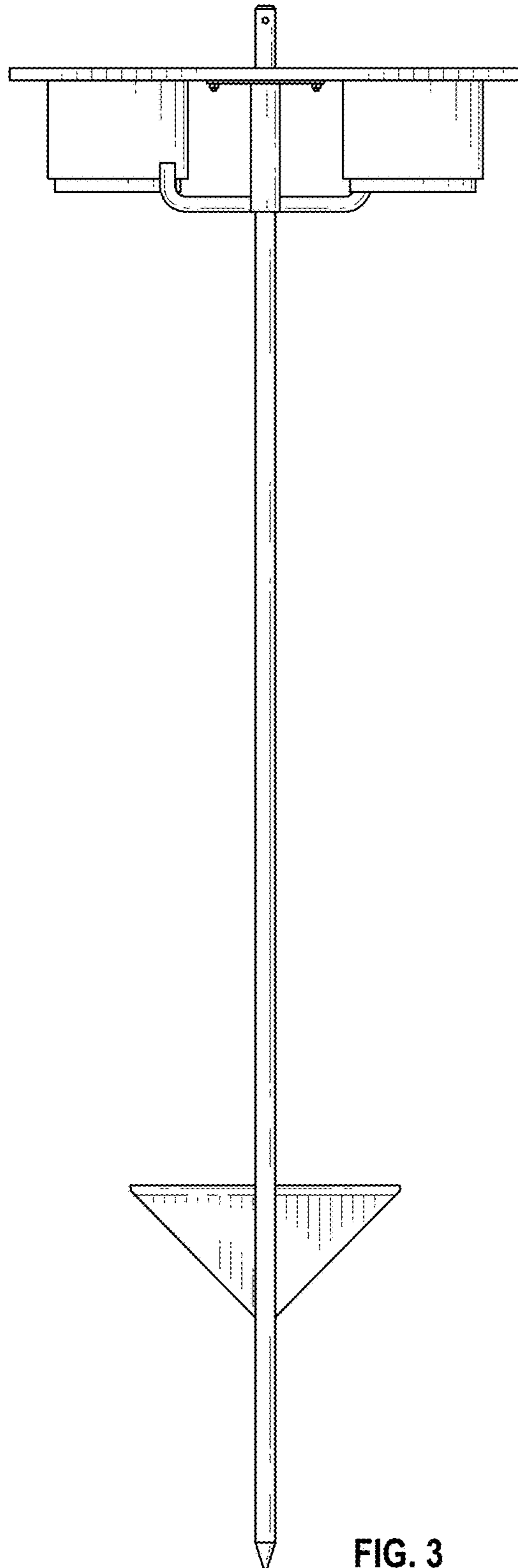


FIG. 3

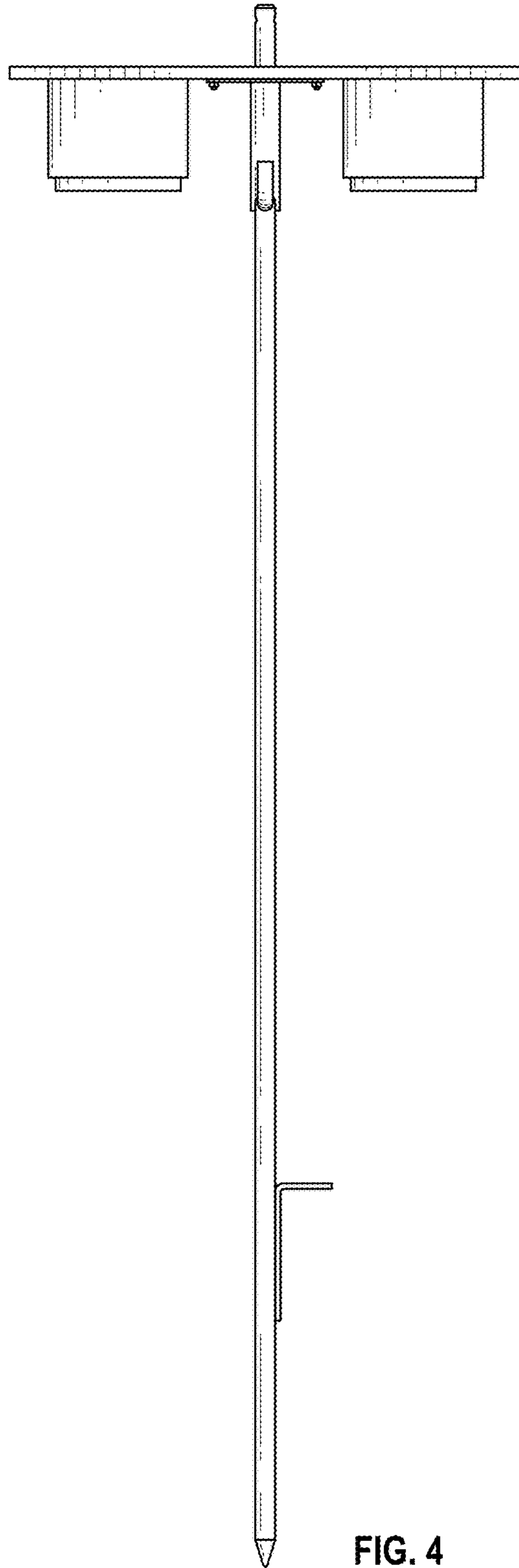


FIG. 4

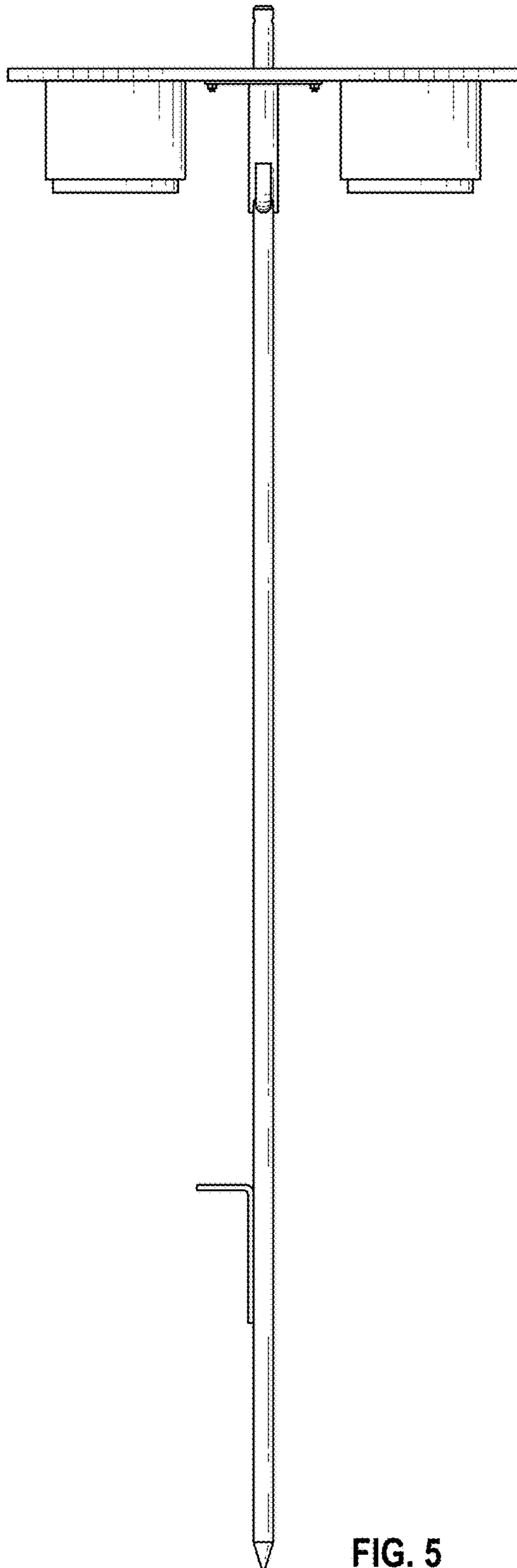


FIG. 5

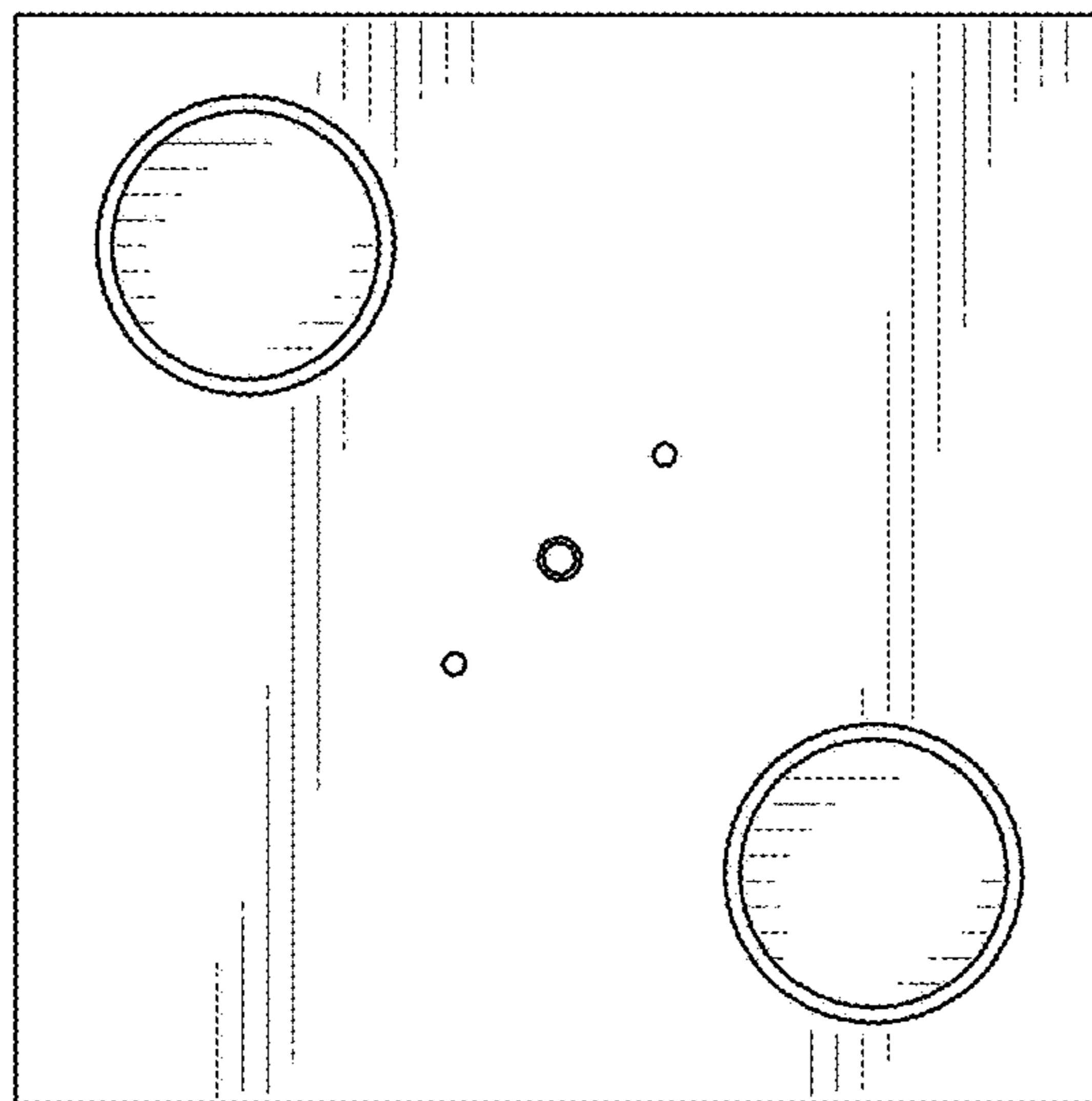


FIG. 6

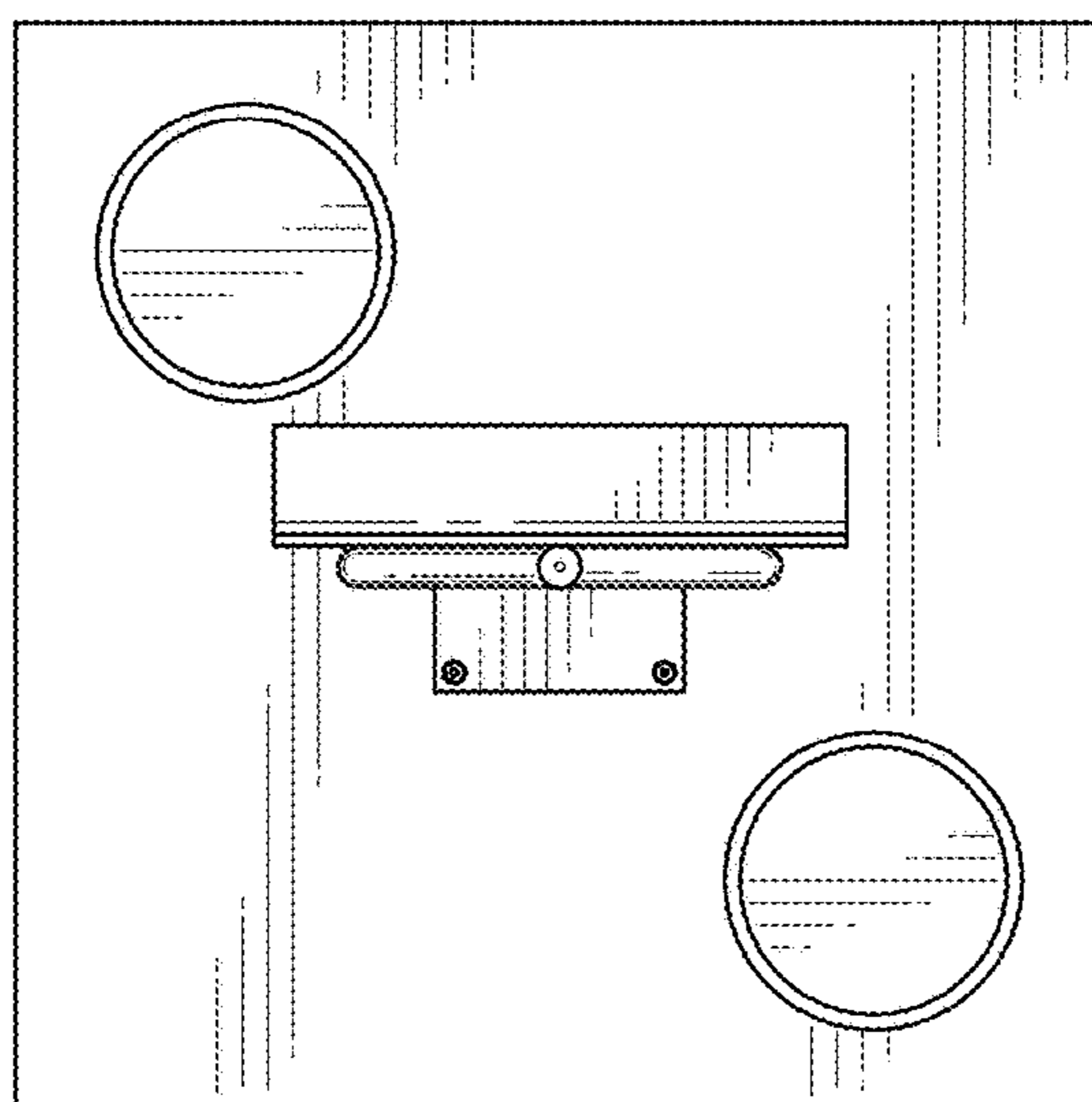


FIG. 7