



US00D858159S

(12) **United States Design Patent**  
**Versace**

(10) **Patent No.:** **US D858,159 S**

(45) **Date of Patent:** **\*\* Sep. 3, 2019**

(54) **TABLE**

(71) Applicant: **Gianni Versace S.p.A.**, Milan (IT)

(72) Inventor: **Donatella Versace**, Milan (IT)

(73) Assignee: **Gianni Versace S.p.A.**, Milan (IT)

(\*\*) Term: **15 Years**

(21) Appl. No.: **29/580,579**

(22) Filed: **Oct. 11, 2016**

(30) **Foreign Application Priority Data**

Apr. 12, 2016 (EM) ..... 003065705

(51) **LOC (12) Cl.** ..... **06-03**

(52) **U.S. Cl.**  
USPC ..... **D6/691.5**

(58) **Field of Classification Search**  
USPC ..... D6/641, 644, 685, 686, 690, 691,  
D6/691.1-691.9, 692.6, 707.19  
CPC ..... A47B 7/00; A47B 13/00; A47B 13/003;  
A47B 13/081; A47B 13/02; A47B  
13/023; A47B 13/04; A47B 13/06; A47B  
13/12; A47B 11/00; A47B 21/00; A47B  
21/006; A47B 2200/0016; A47B  
2200/0021; A47B 2200/002

See application file for complete search history.

(56) **References Cited**

**U.S. PATENT DOCUMENTS**

D225,949 S \* 1/1973 Torrey ..... D6/691.5  
D238,404 S \* 1/1976 Owens ..... D21/522

D238,407 S \* 1/1976 Owens ..... D6/690  
D260,836 S \* 9/1981 de Polo ..... D6/691.3  
D456,643 S \* 5/2002 Hamer ..... D6/691.5  
D485,094 S \* 1/2004 Chang ..... D6/690  
7,926,430 B2 \* 4/2011 Bakker ..... A47B 21/06  
108/25  
D749,882 S \* 2/2016 Garcia ..... D6/692.6  
D804,229 S \* 12/2017 Chang ..... A47B 21/06  
D6/707.19  
D812,946 S \* 3/2018 Chang ..... D6/707.19  
2010/0242808 A1 \* 9/2010 Negoro ..... A47B 13/003  
108/42

\* cited by examiner

*Primary Examiner* — Mary Ann Calabrese

(74) *Attorney, Agent, or Firm* — Thomas|Horstemeyer,  
LLP

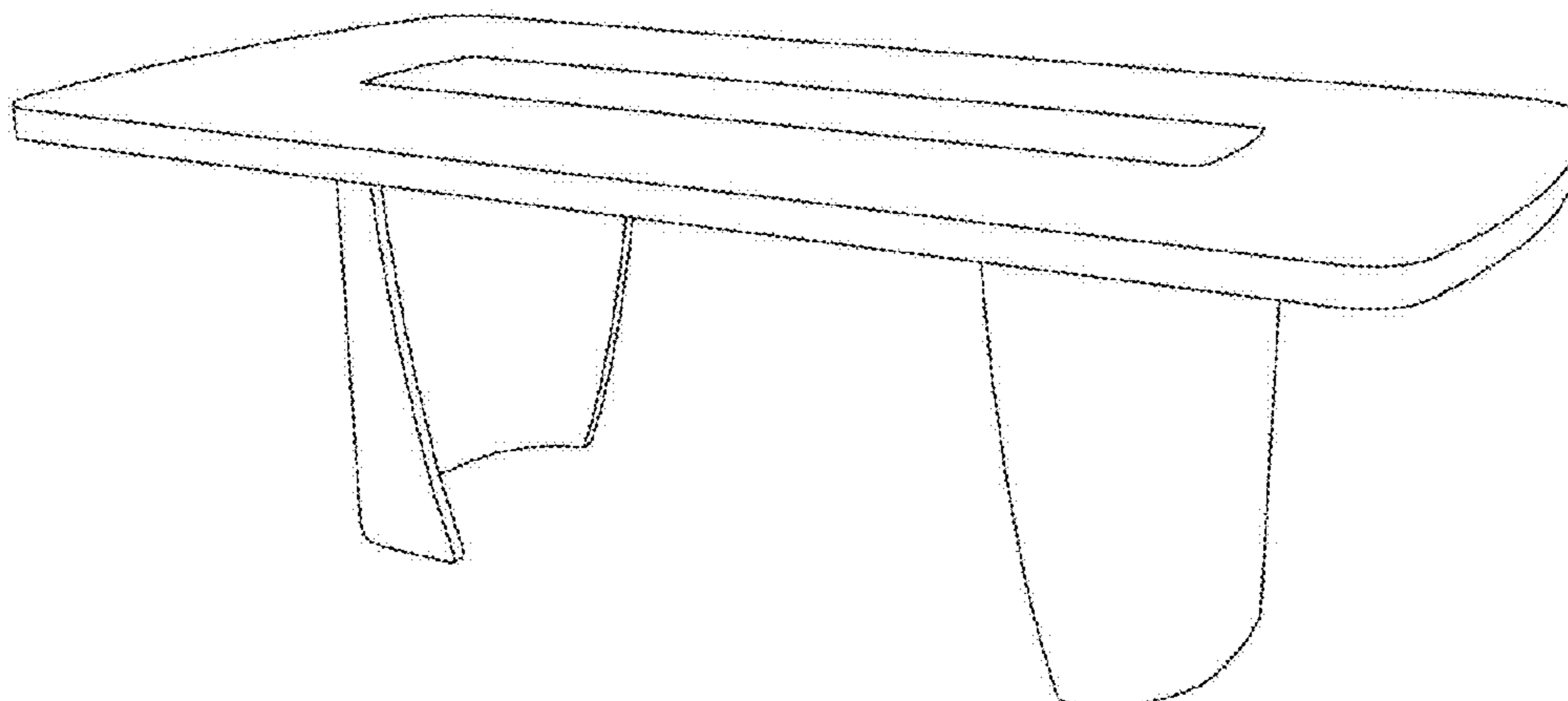
(57) **CLAIM**

The ornamental design for a table, as shown and described.

**DESCRIPTION**

FIG. 1 is a perspective view of a table showing my new design;  
FIG. 2 is a front elevational view thereof;  
FIG. 3 is a rear elevational view thereof, opposite that of FIG. 2;  
FIG. 4 is a side elevational view thereof;  
FIG. 5 is a side elevational view thereof, from a side opposite that of FIG. 4;  
FIG. 6 is a top view thereof; and,  
FIG. 7 is a bottom view thereof.

**1 Claim, 7 Drawing Sheets**



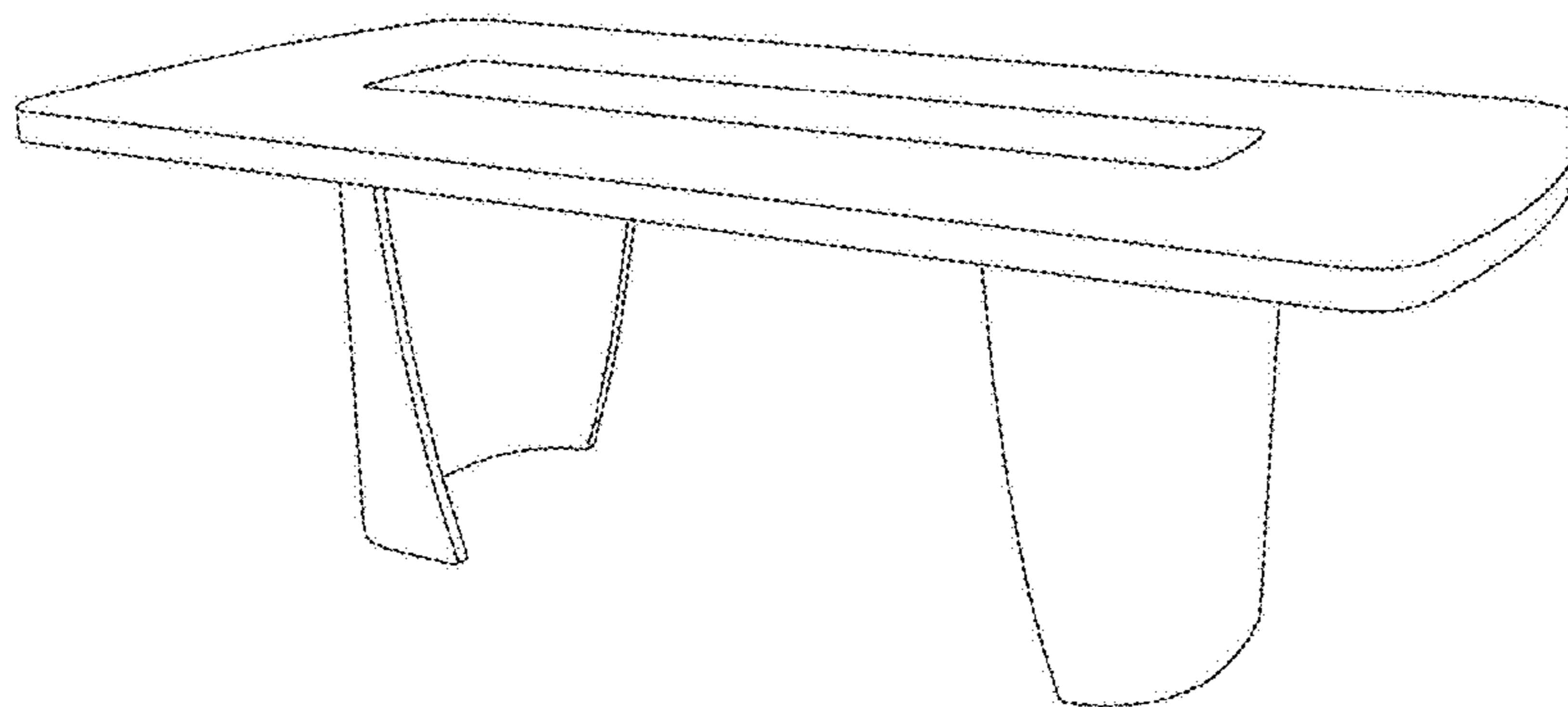


FIG. 1



FIG. 2

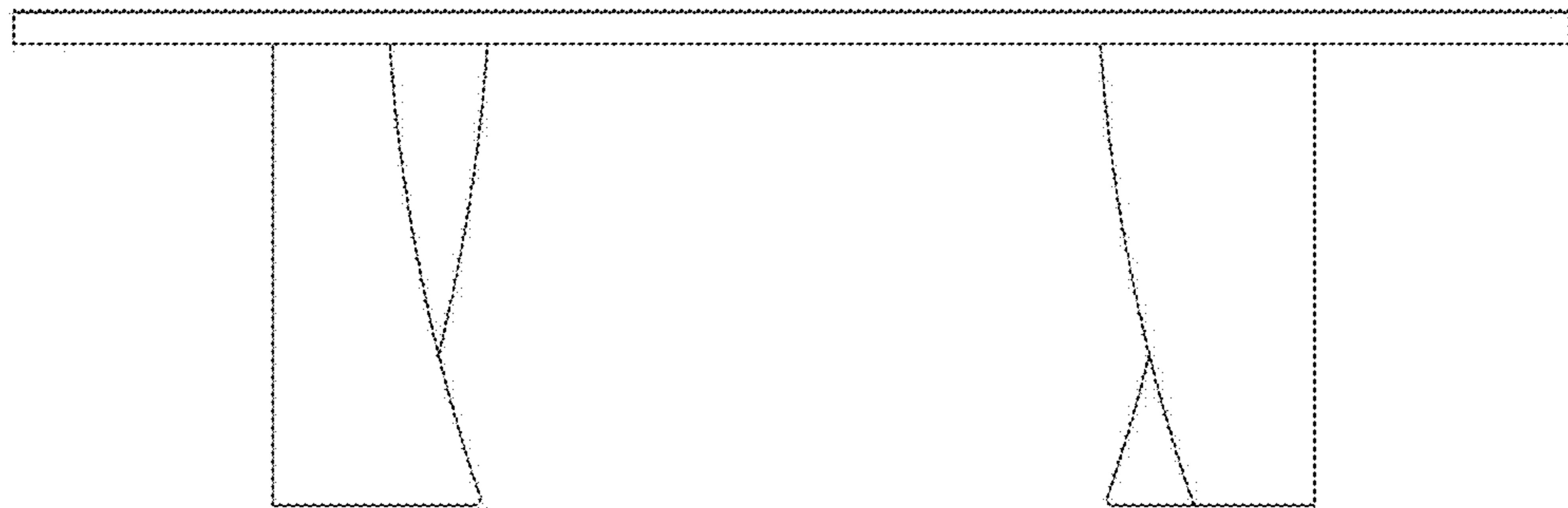


FIG. 3

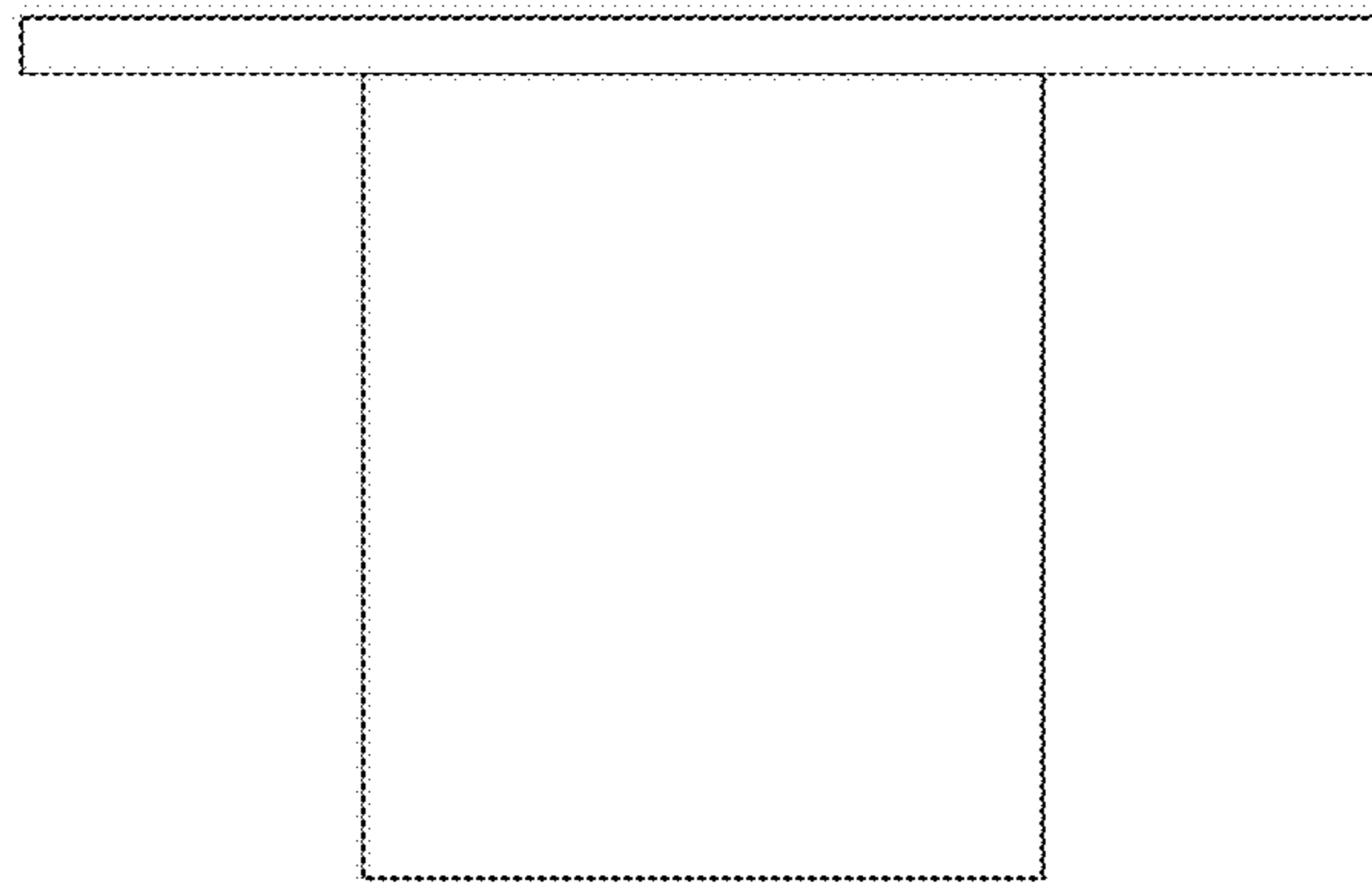


FIG. 4

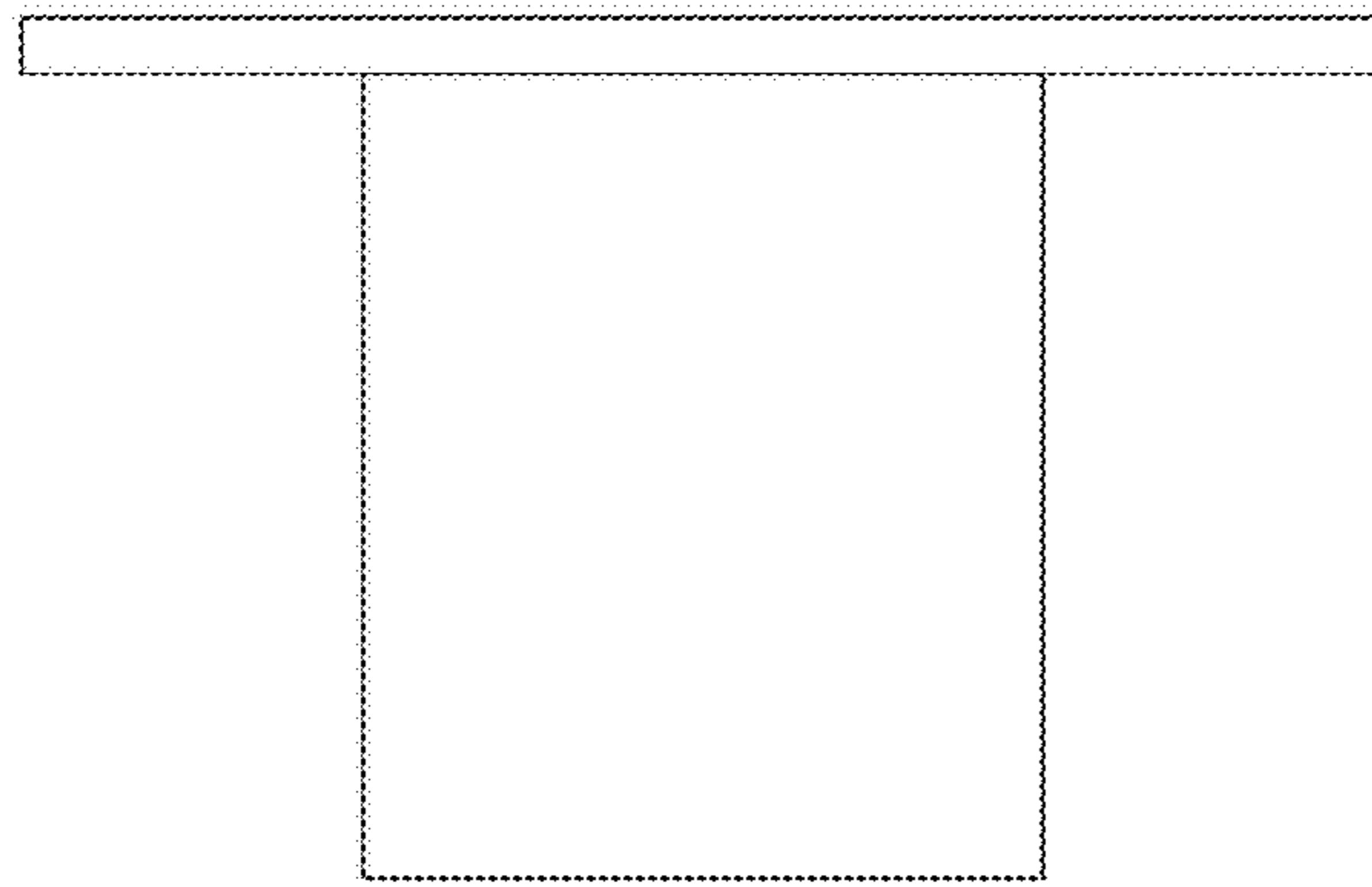


FIG. 5



FIG. 6

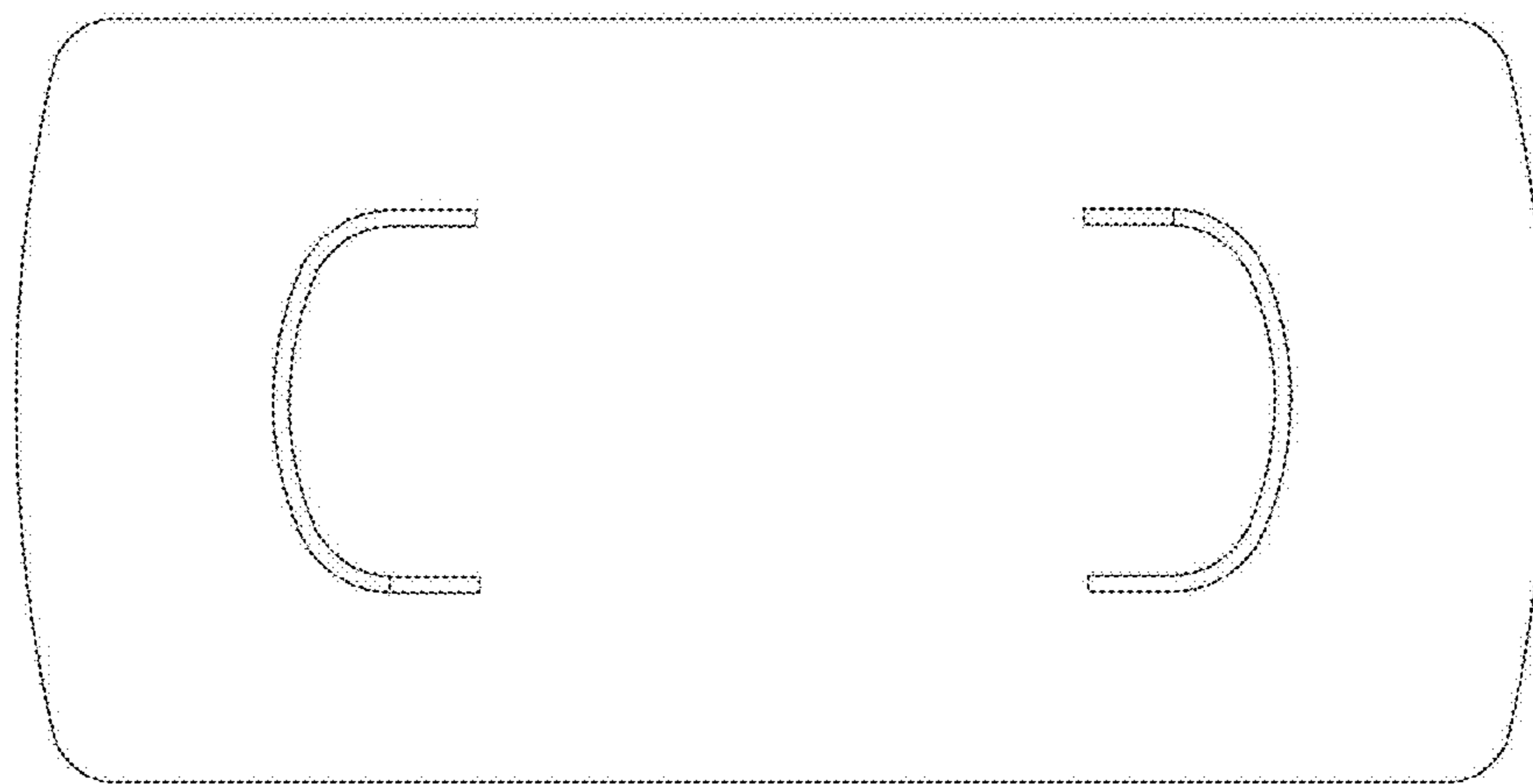


FIG. 7