



US00D858156S

(12) **United States Design Patent** (10) **Patent No.:** **US D858,156 S**
Hernandez Bravo, Jr. (45) **Date of Patent:** **** Sep. 3, 2019**

- (54) **FOLDING TABLE**
- (71) Applicant: **Pedro Hernandez Bravo, Jr.**, Hawthorne, CA (US)
- (72) Inventor: **Pedro Hernandez Bravo, Jr.**, Hawthorne, CA (US)
- (73) Assignee: **Pedro Hernandez Bravo**, Hawthorne, CA (US)
- (**) Term: **15 Years**
- (21) Appl. No.: **29/616,537**
- (22) Filed: **Sep. 6, 2017**
- (51) **LOC (12) Cl.** **06-03**
- (52) **U.S. Cl.**
USPC **D6/686**
- (58) **Field of Classification Search**
USPC D6/353, 368, 518, 642, 655-655.23, 656, D6/656.1, 656.11, 656.12, 656.13, 656.14, D6/656.15, 656.16, 656.17, 656.18, D6/656.19, 663, 686, 687, 691, 691.1, D6/691.9, 698, 707.19, 708, 708.17, D6/709.17; D13/19
CPC ... A47B 23/002; A47B 23/041; A47B 23/001; A47B 87/002; A47B 13/10; A47B 17/065; A47B 3/02; A47B 9/16; A47B 2003/025; A47B 9/04; A47B 9/00; A47B 9/02; A47B 9/10; A47B 9/12; A47G 23/0608; B60N 3/002
See application file for complete search history.

- (56) **References Cited**
U.S. PATENT DOCUMENTS
3,592,143 A * 7/1971 Krone A47B 3/00 108/115
3,625,195 A * 12/1971 Grall A47B 3/00 108/115
D248,345 S * 7/1978 Stoddard D6/353

4,106,413 A *	8/1978	Hoaglund	A47B 9/16 108/12
D249,204 S *	9/1978	Schwartz	D6/361
D251,044 S *	2/1979	Persson	D6/368
D253,624 S *	12/1979	Browne	D6/693.3
D265,029 S *	6/1982	Gageby	D6/375
D292,052 S *	9/1987	Lorio	D6/691
D493,971 S *	8/2004	Willy	D6/368
D509,967 S *	9/2005	Nardi	D6/361
D514,340 S *	2/2006	Frey	D6/368
D565,868 S *	4/2008	Matheus	D6/716.3
D569,640 S *	5/2008	Robson	D6/370
D571,114 S *	6/2008	Miyakawa	D6/368
D674,617 S *	1/2013	Margerum	D6/374
D747,111 S *	1/2016	Simoes	D6/301

(Continued)

OTHER PUBLICATIONS

Evo_3, posted at Behance.net, posted on Mar. 14, 2015, site visited Sep. 24, 2018. online, available from internet: https://www.behance.net/gallery/24474399/evo_3.*

(Continued)

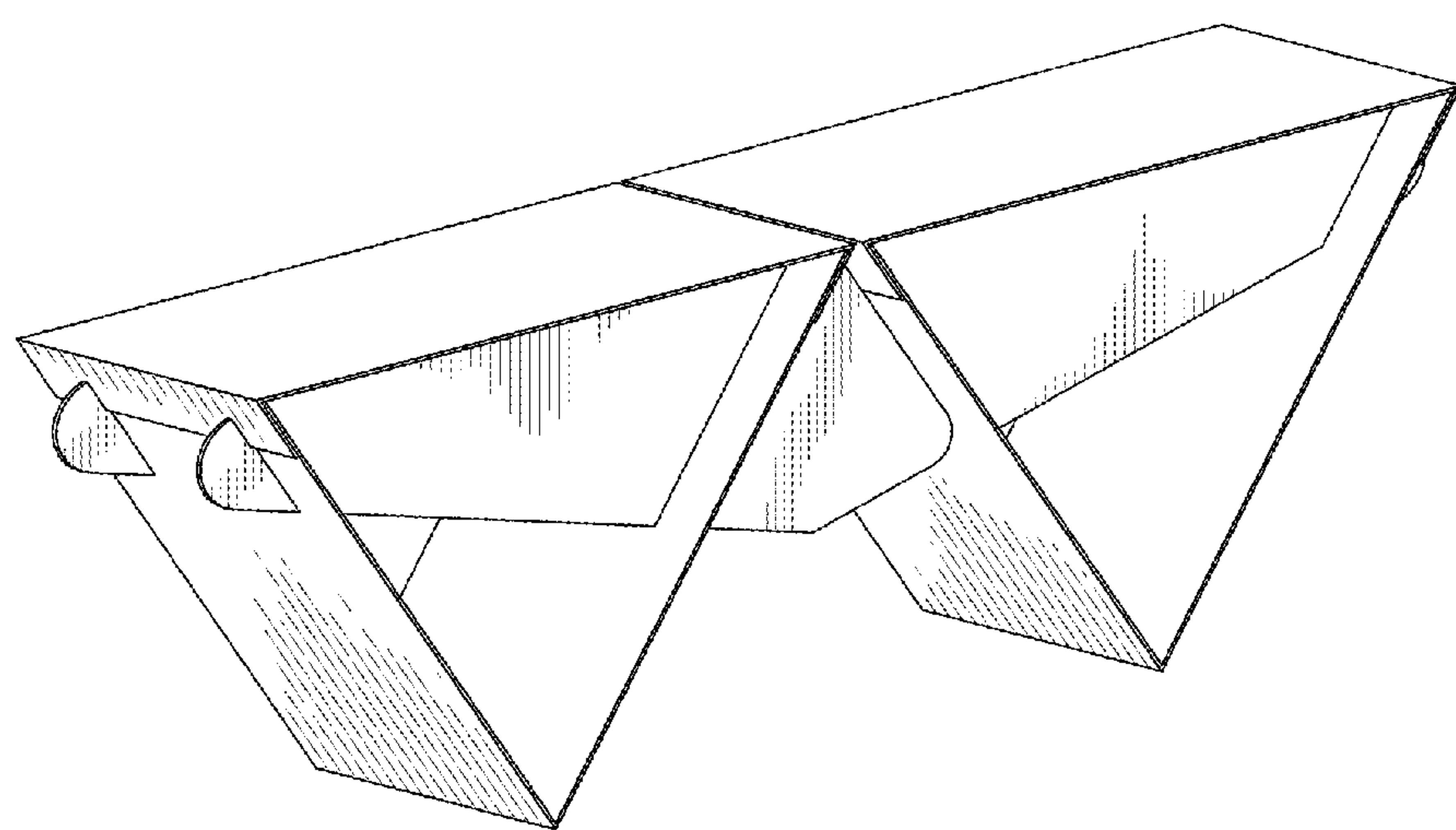
Primary Examiner — Mary Ann Calabrese
Assistant Examiner — Catherine Ho

(57) **CLAIM**
I claim the ornamental design for a folding table, as shown and described.

DESCRIPTION

FIG. 1 is an exploded perspective view of a folding table, showing my new design;
FIG. 2 is a perspective view thereof;
FIG. 3 is a right side elevation view thereof, the left side elevation view being a mirror image thereof;
FIG. 4 is a front elevation view thereof, the back elevation view being a mirror image thereof;
FIG. 5 is a top plan view thereof; and,
FIG. 6 is a bottom plan view thereof.

1 Claim, 3 Drawing Sheets



(56)

References Cited

U.S. PATENT DOCUMENTS

D775,486 S *	1/2017	Seniff	D6/691.5
2003/0107254 A1 *	6/2003	Willy	A47B 3/06 297/440.13
2003/0107255 A1 *	6/2003	Willy	A47B 3/06 297/440.13
2013/0080286 A1 *	3/2013	Rotholz	A47C 5/005 705/26.5

OTHER PUBLICATIONS

Table—2017—, posted at behance.net, posted on Feb. 1, 2017, site visited Sep. 24, 2018. online, available from internet: <https://www.behance.net/gallery/48216639/TABLE-2017-ALLUMINIUMGLASS-UAP>.*

Pedro Bravo Rerak, Patentability Search Report (Design) Reflect folding table, Legal Advantage, Report Date: Mar. 22, 2017, pp. 2-10 in Specification dated Sep. 6, 2017. (Year: 2017).*

* cited by examiner

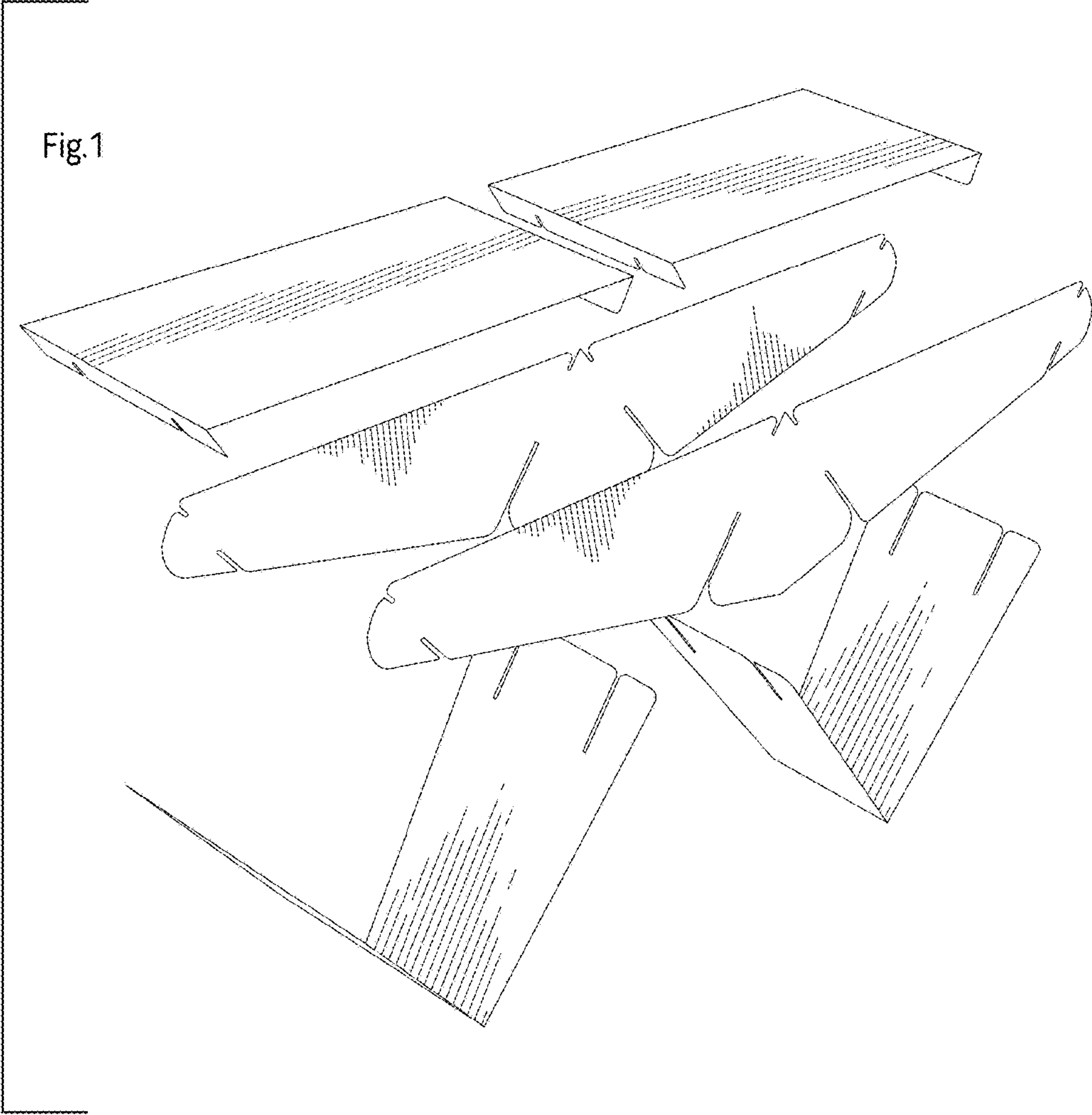


Fig.2

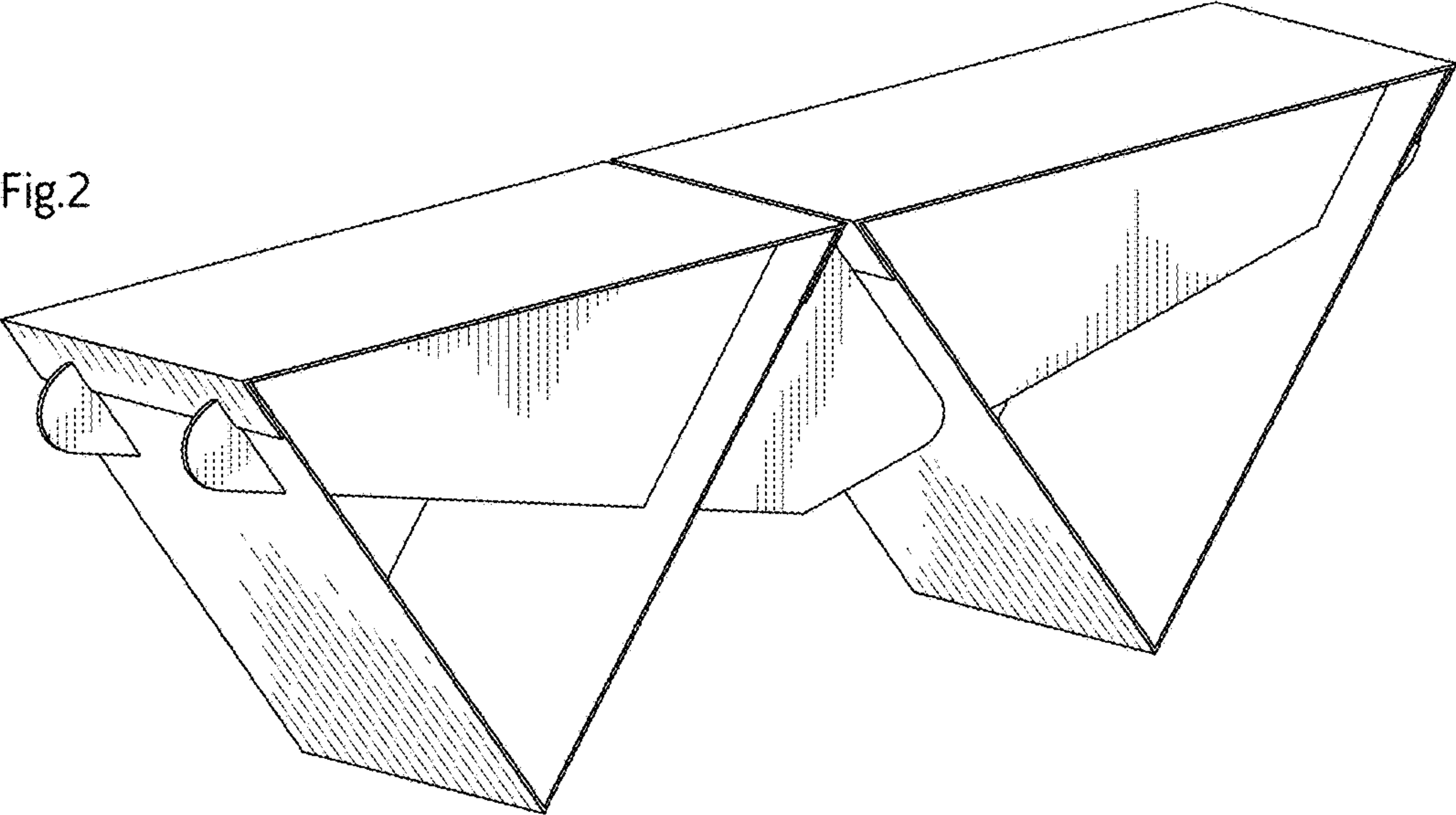


Fig.3

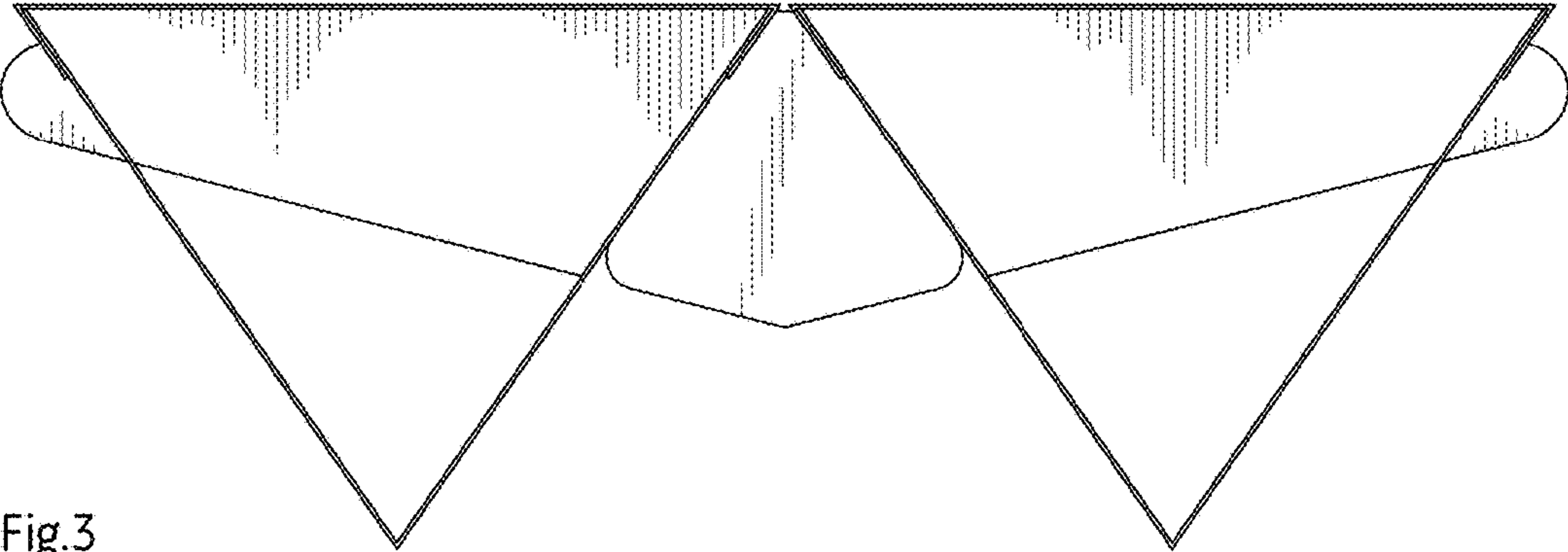


Fig.4

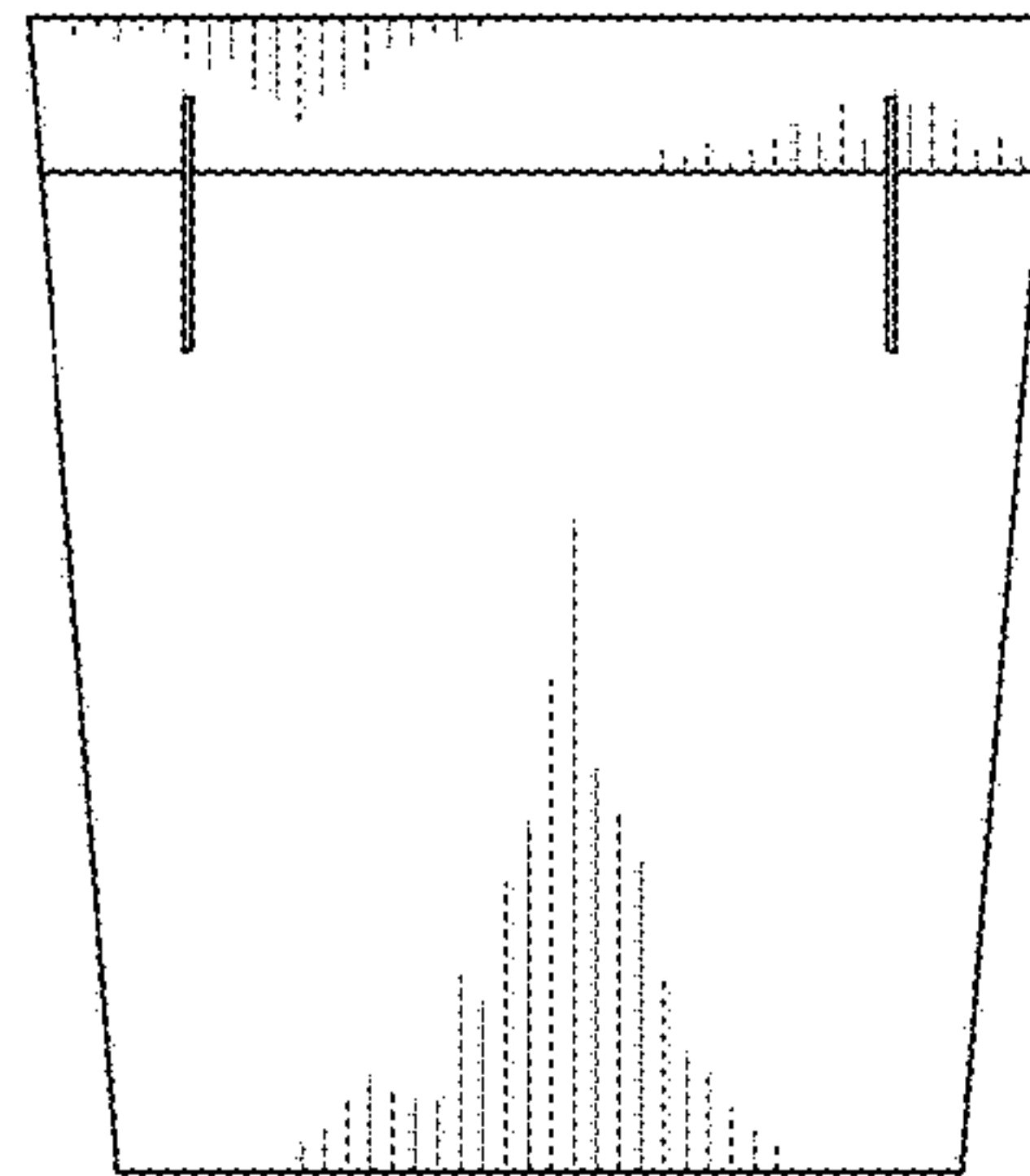


Fig.5

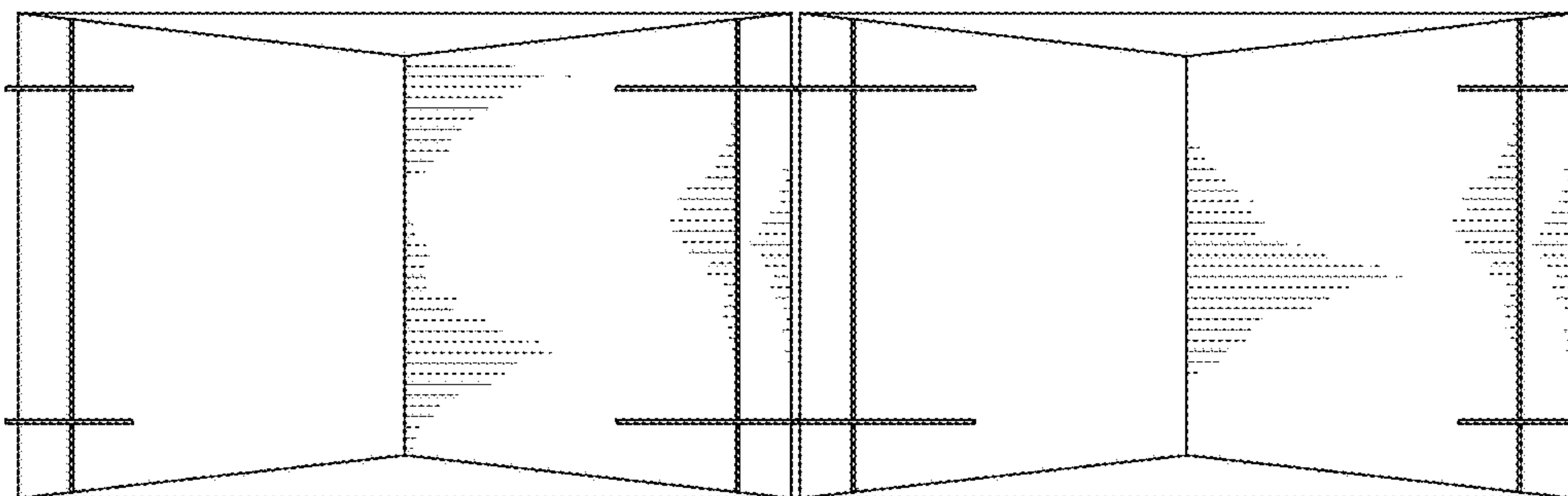
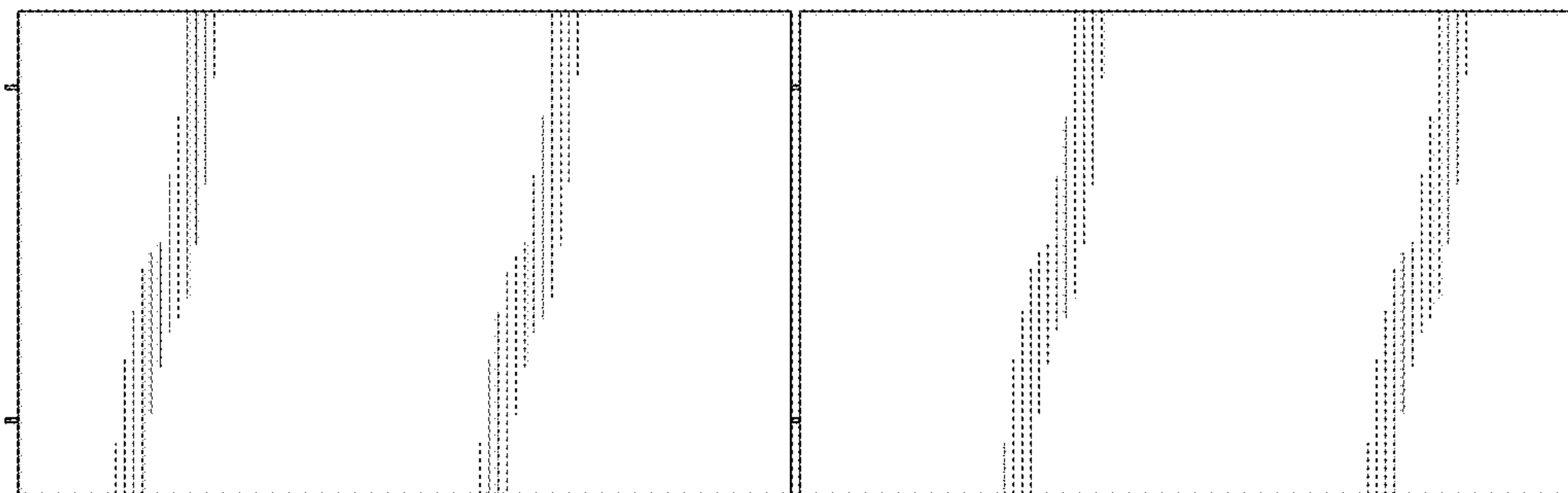


Fig.6