



US00D858155S

(12) **United States Design Patent** (10) **Patent No.:** **US D858,155 S**
Xu (45) **Date of Patent:** **** Sep. 3, 2019**

(54) **MULTIFUNCTIONAL STORAGE RACK**

(71) Applicant: **ShenZhen ORICO Technologies Co., Ltd**, Shenzhen (CN)

(72) Inventor: **Yeyou Xu**, Shenzhen (CN)

(73) Assignee: **Shenzhen ORICO Technologies Co., Ltd.**, Shenzhen (CN)

(**) Term: **15 Years**

(21) Appl. No.: **29/616,907**

(22) Filed: **Sep. 10, 2017**

(51) **LOC (12) Cl.** **06-06**

(52) **U.S. Cl.**
USPC **D6/682.4**

(58) **Field of Classification Search**
USPC D6/672, 675, 675.1, 680, 680.2, 682, D6/682.1, 682.2, 682.4, 512, 702; D19/75
CPC .. A47F 1/04; A47F 3/14; A47F 5/0018; A47F 5/101
See application file for complete search history.

(56) **References Cited**

U.S. PATENT DOCUMENTS

- D161,796 S * 1/1951 Shapiro D19/91
- D207,823 S * 5/1967 Eskew D19/90
- D275,058 S * 8/1984 Flum D6/682.4
- 4,684,027 A * 8/1987 Wright G11B 23/027 211/40
- D358,525 S * 5/1995 Sedon D6/407
- D402,137 S * 12/1998 Blazeovich D6/682.4
- D403,914 S * 1/1999 Man D19/90
- D404,957 S * 2/1999 Cheris D6/629

- D480,736 S * 10/2003 Wright D15/90
- D563,166 S * 3/2008 Woolfolk D7/504
- D696,829 S * 12/2013 Huang D32/55
- D752,369 S * 3/2016 Coleman D6/675
- D789,122 S * 6/2017 Drumm D6/682.4
- D821,120 S * 6/2018 Chang D6/675.4
- D833,781 S * 11/2018 Hartman D6/675
- 2004/0126541 A1 * 7/2004 Dietz B32B 27/08 428/167
- 2014/0130318 A1 * 5/2014 Rohr B32B 15/14 29/17.2

* cited by examiner

Primary Examiner — Kelley A Donnelly

(74) *Attorney, Agent, or Firm* — Wayne & Ken, LLC; Tony Hom

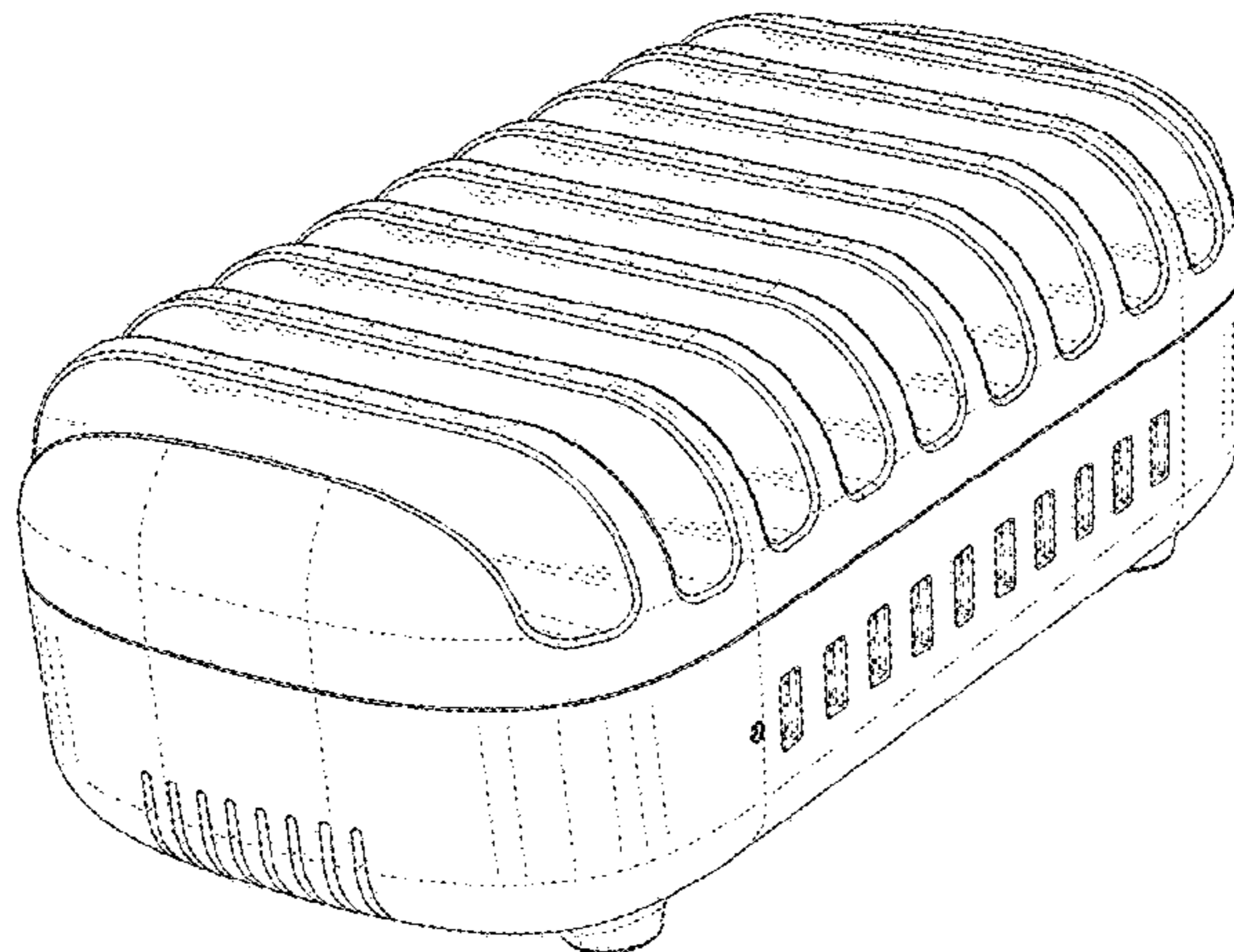
(57) **CLAIM**

A new, original, ornamental design for a multifunctional storage rack, as shown and described.

DESCRIPTION

FIG. 1 is a perspective view of a multifunctional storage rack showing my new design; FIG. 2 is a front view thereof; FIG. 3 is a back view thereof; FIG. 4 is a left view thereof; FIG. 5 is a right view thereof; FIG. 6 is a top view thereof, and, FIG. 7 is a bottom view thereof. The broken lines in the drawing depict environmental subject matter only and form no part of the claimed design.

1 Claim, 7 Drawing Sheets



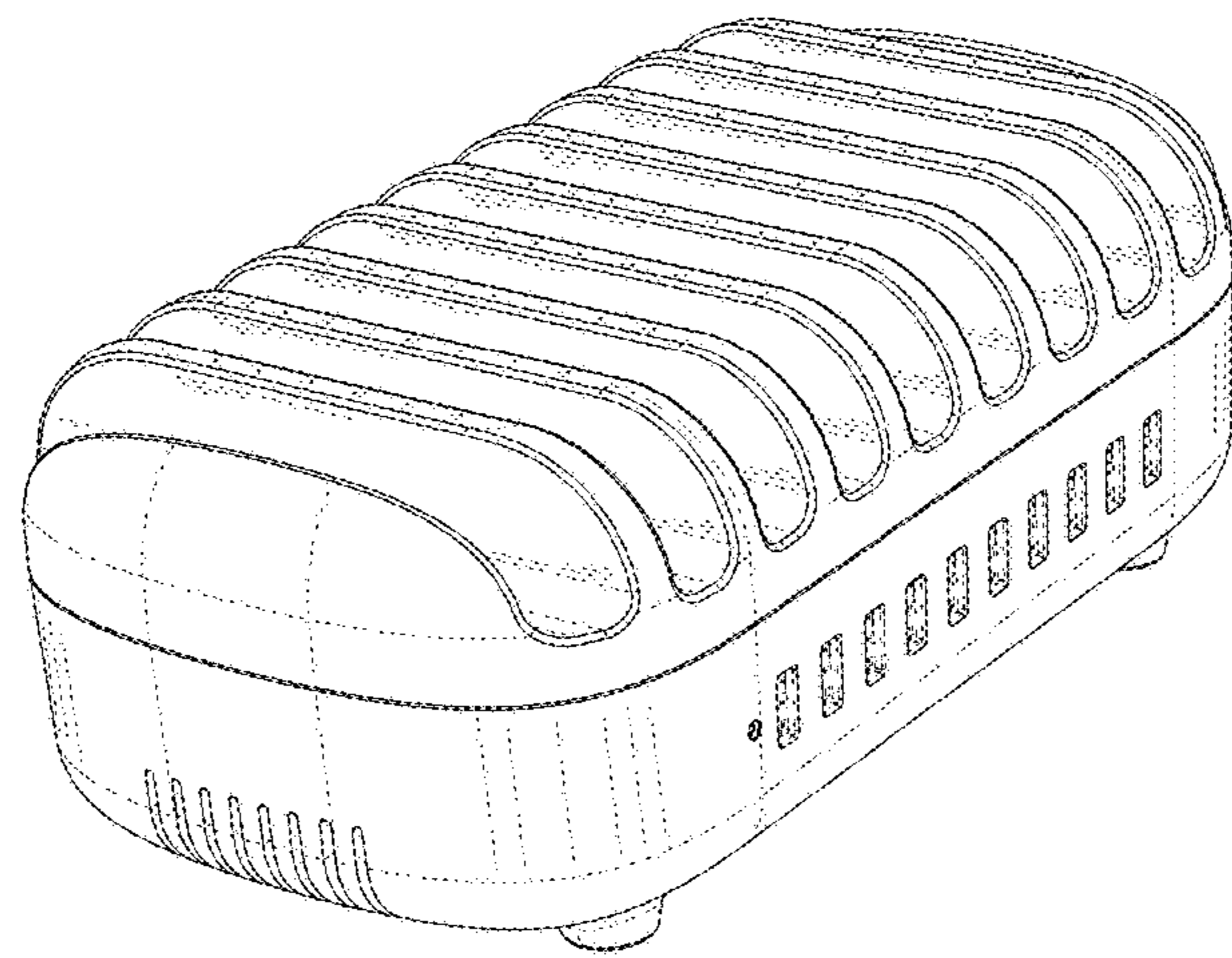


FIG. 1

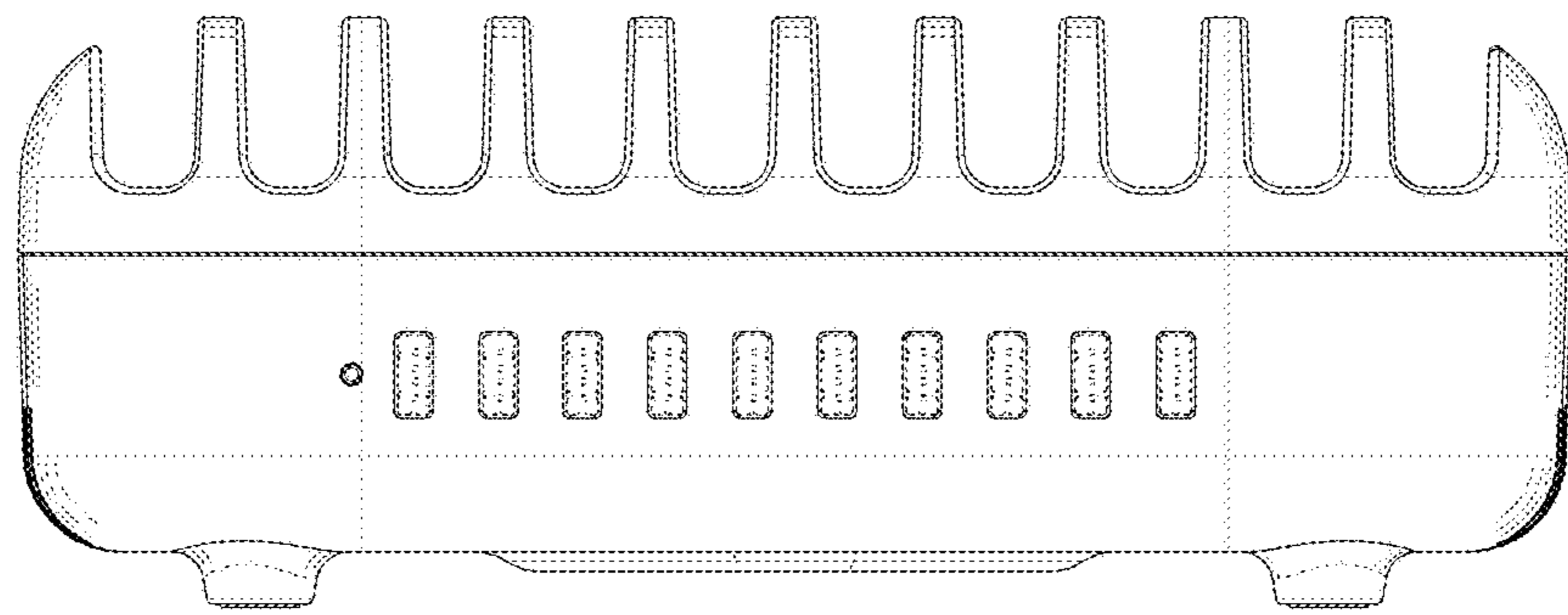


FIG. 2

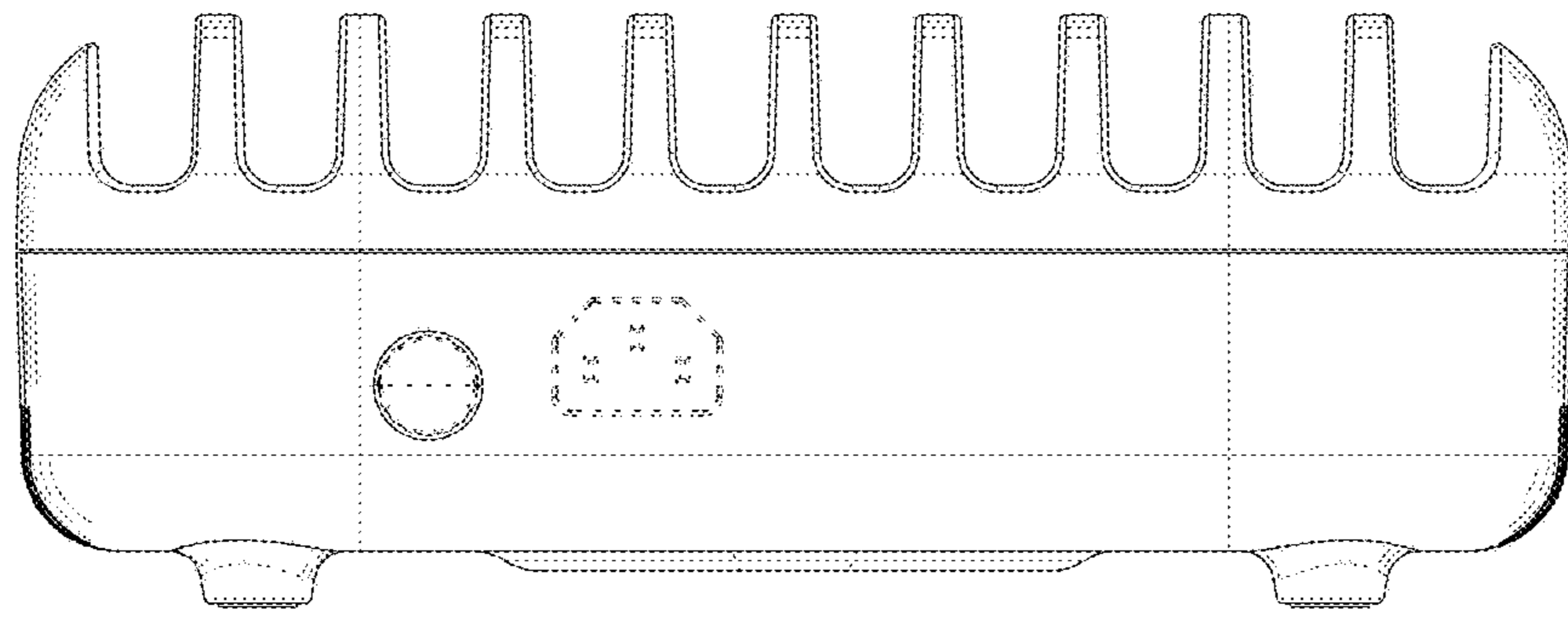


FIG. 3

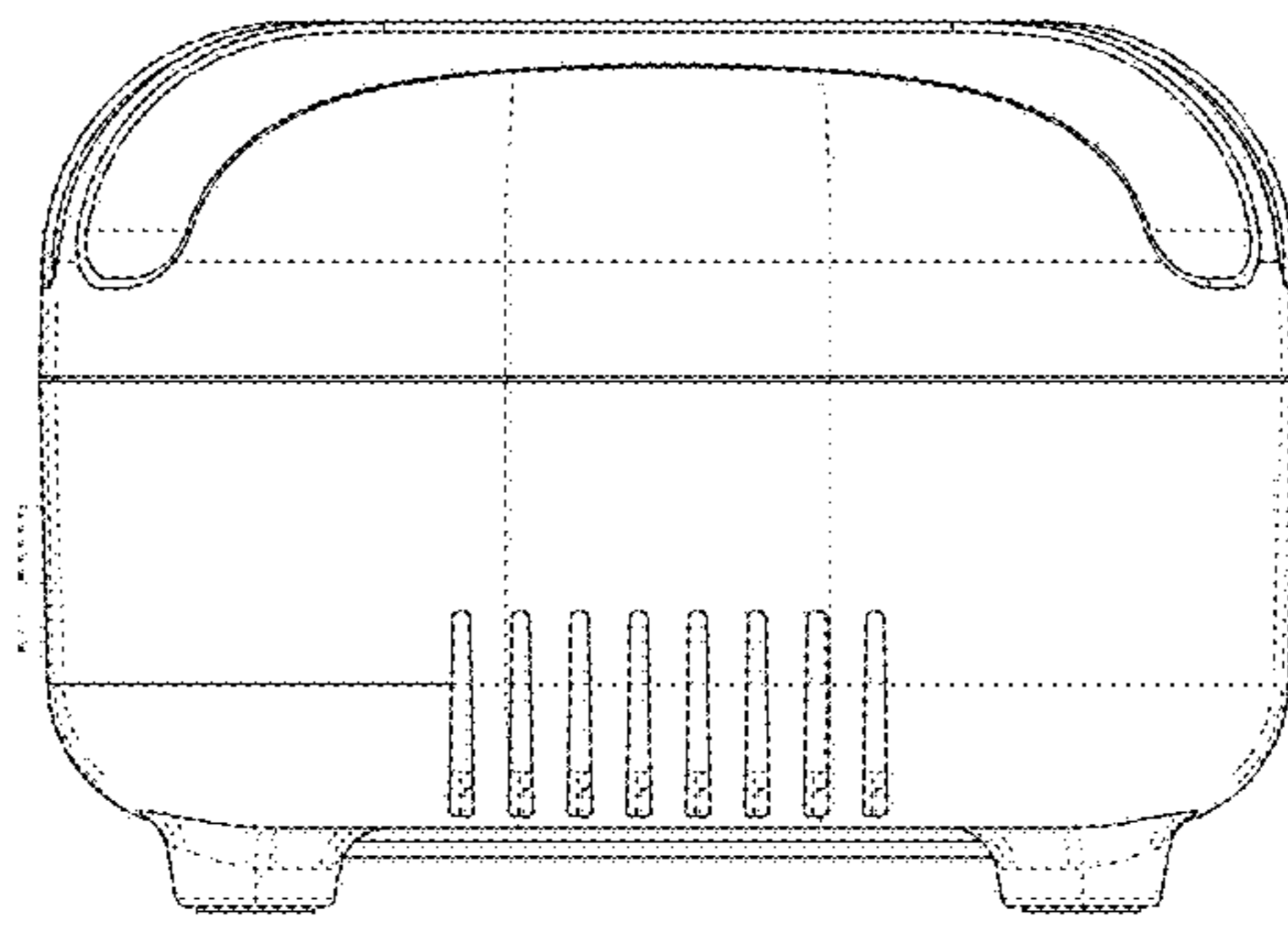


FIG. 4

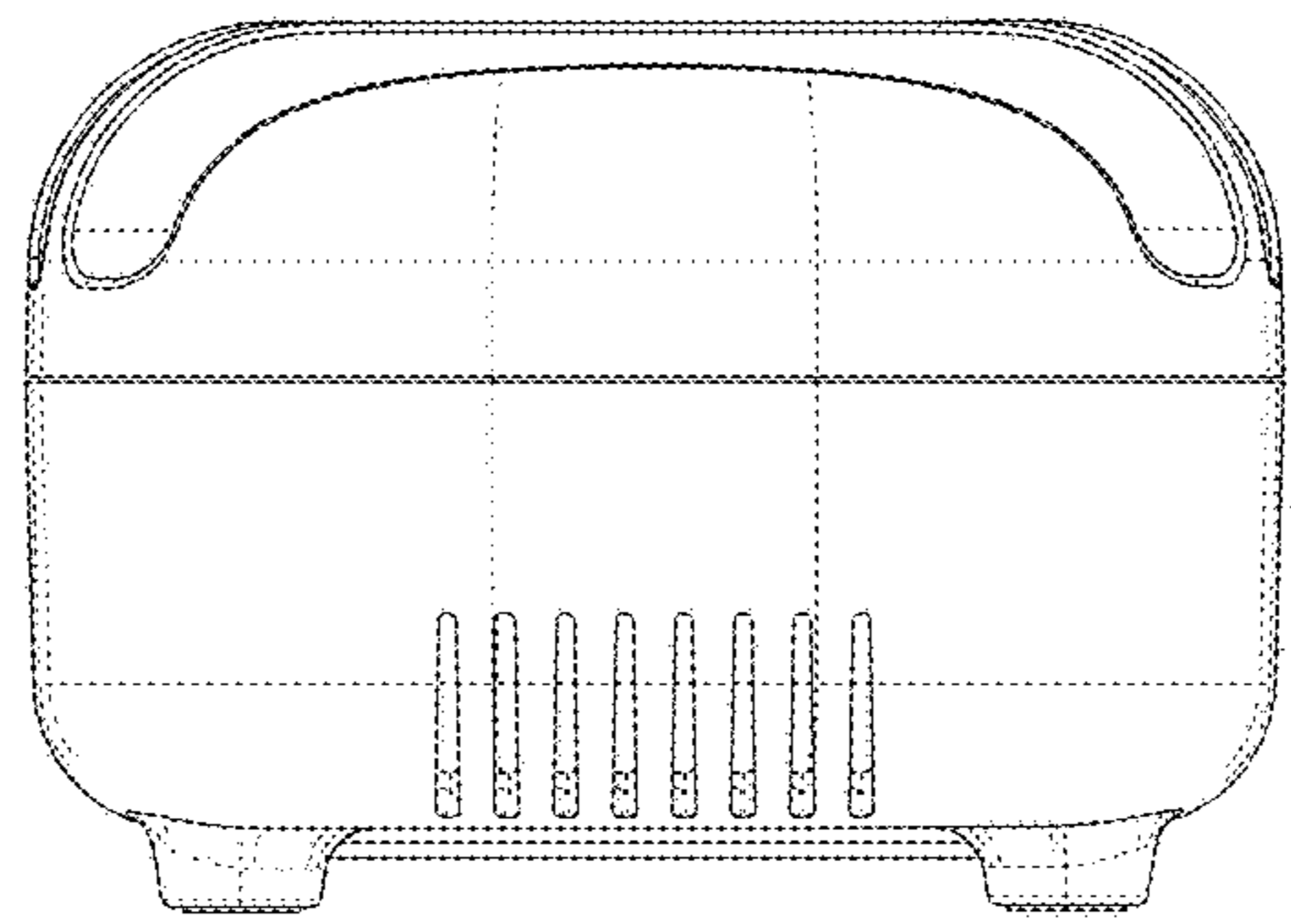


FIG. 5

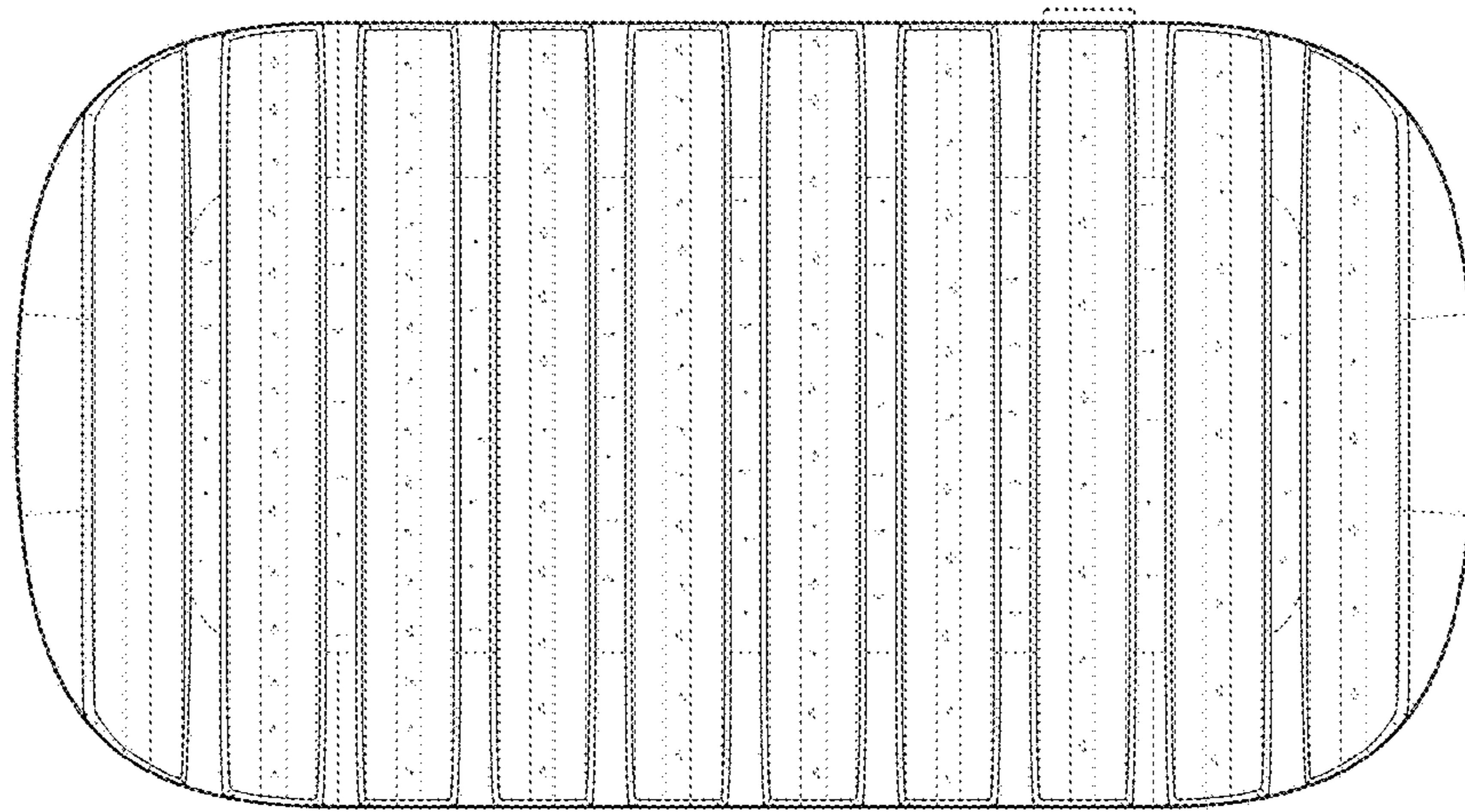


FIG. 6

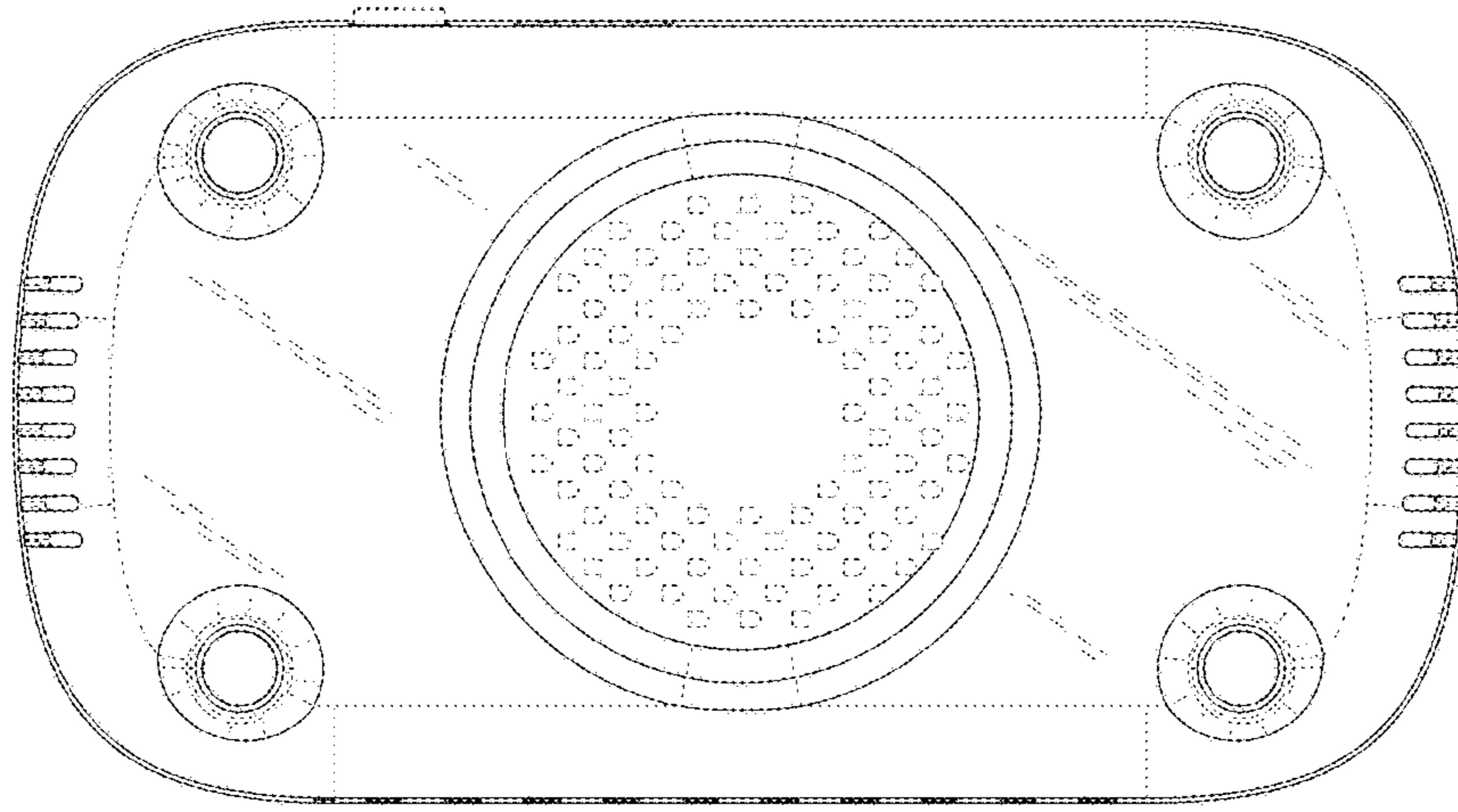


FIG. 7