



US00D858154S

(12) **United States Design Patent** (10) **Patent No.:** **US D858,154 S**
Bourgoyne (45) **Date of Patent:** **** Sep. 3, 2019**

- (54) **STOCKING HOLDER**
- (71) Applicant: **Brad Michael Bourgoyne**, Baton Rouge, LA (US)
- (72) Inventor: **Brad Michael Bourgoyne**, Baton Rouge, LA (US)
- (73) Assignee: **Fig & Dove, Inc.**, Baton Rouge, LA (US)
- (**) Term: **15 Years**
- (21) Appl. No.: **29/578,309**
- (22) Filed: **Sep. 20, 2016**
- (51) **LOC (12) Cl.** **06-06**
- (52) **U.S. Cl.**
USPC **D6/682**
- (58) **Field of Classification Search**
USPC D20/10, 19, 99; D6/315, 320, 323, 325, D6/326, 672, 682, 682.3
CPC A47F 7/00; A47F 7/19; A47F 5/00; A47F 5/0006
See application file for complete search history.

- D467,050 S * 12/2002 Russo D32/64
- D483,976 S * 12/2003 Hoernig D6/574
- D635,846 S * 4/2011 Klein D8/372
- 8,991,776 B1 * 3/2015 DiMaggio A47F 3/02
206/6.1
- D782,853 S * 4/2017 Foster D6/682.3

* cited by examiner

Primary Examiner — Kelley A Donnelly
(74) *Attorney, Agent, or Firm* — John Nielsen; Sentinel IP

(57) **CLAIM**

The ornamental design for a stocking holder, as shown and described.

DESCRIPTION

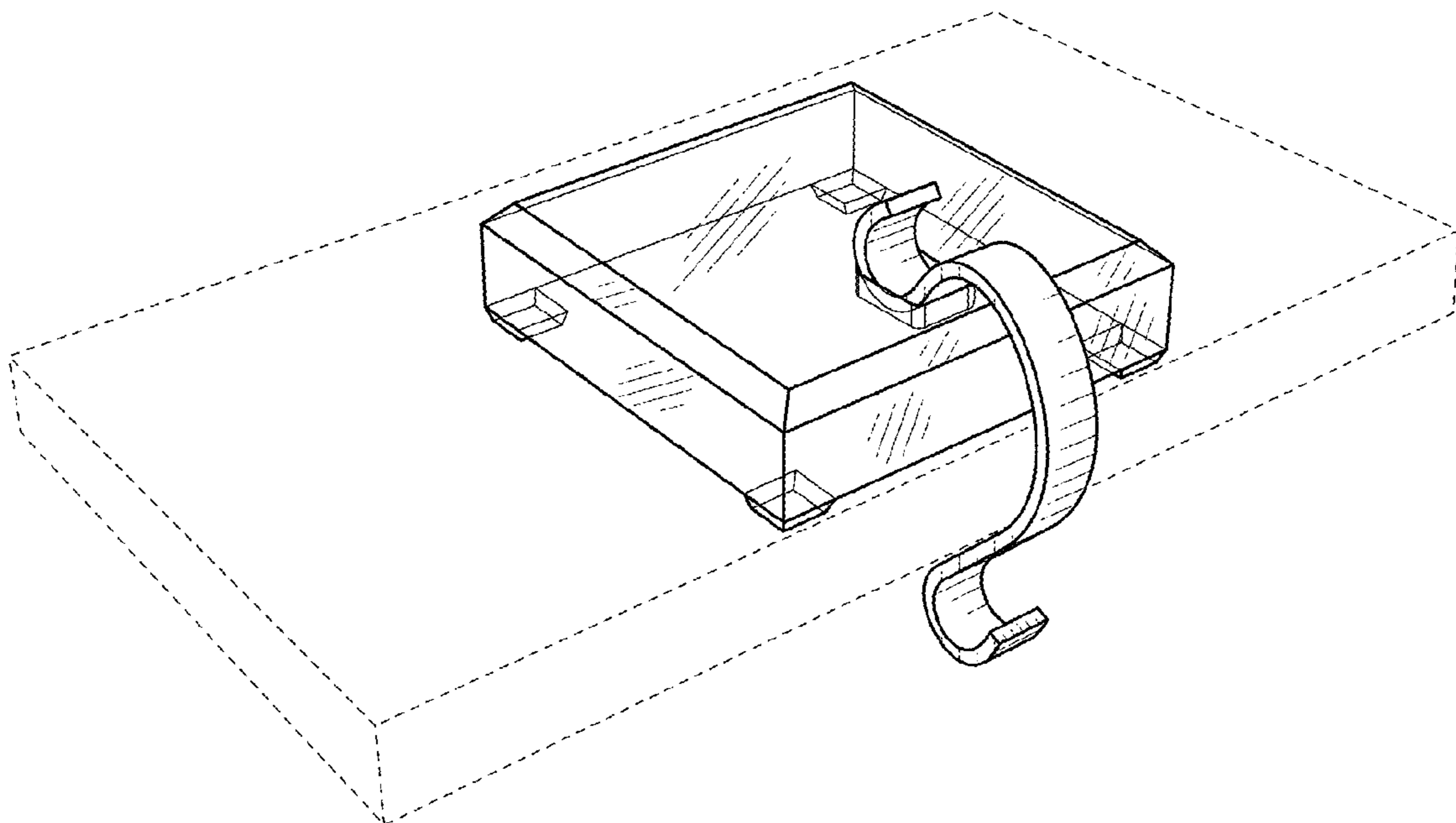
FIG. 1 is a perspective view of the stocking holder, showing the new design;
FIG. 2 is a top view of the stocking holder;
FIG. 3 is a left side view of the stocking holder; the right side is a mirror image of the left side;
FIG. 4 is a front view of the stocking holder;
FIG. 5 is a rear view of the stocking holder; and,
FIG. 6 is a bottom view of the stocking holder.
The broken lines in the drawings are for illustrative purposes only and form no part of the claimed design.

1 Claim, 4 Drawing Sheets

(56) **References Cited**

U.S. PATENT DOCUMENTS

- D379,410 S * 5/1997 Porcaro D6/682.3
- D455,065 S * 4/2002 Berg D8/371



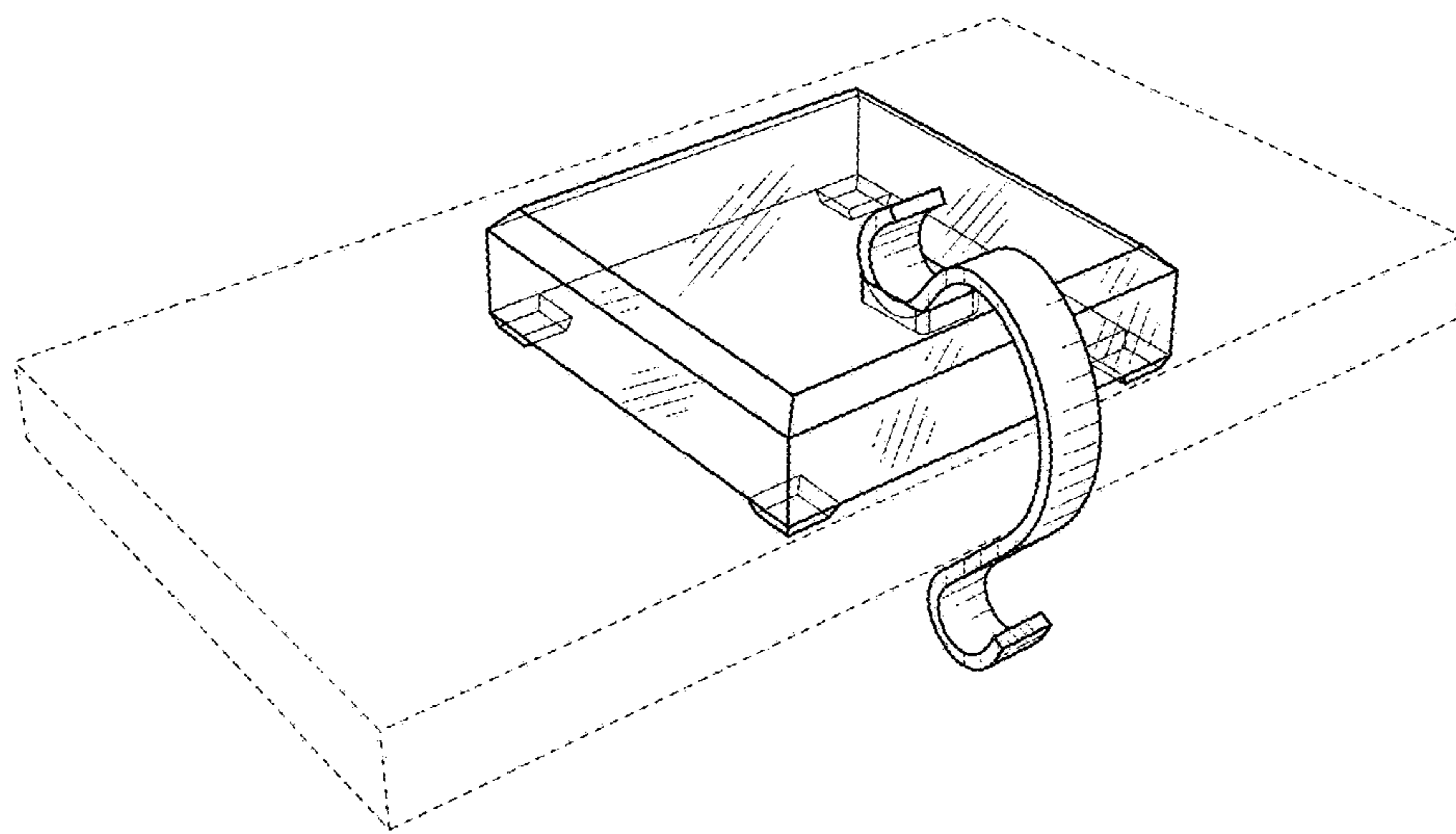


FIG. 1

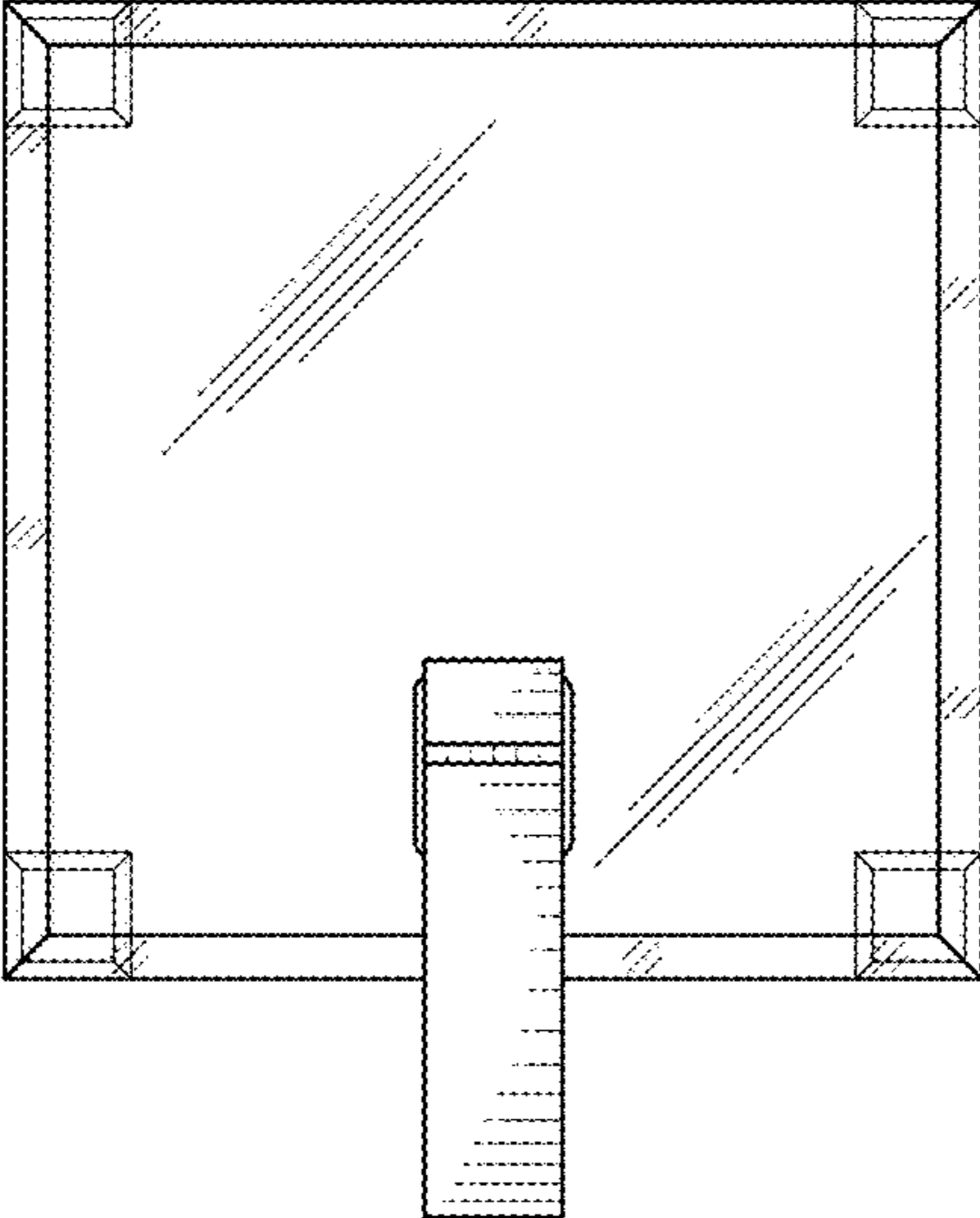


FIG. 2

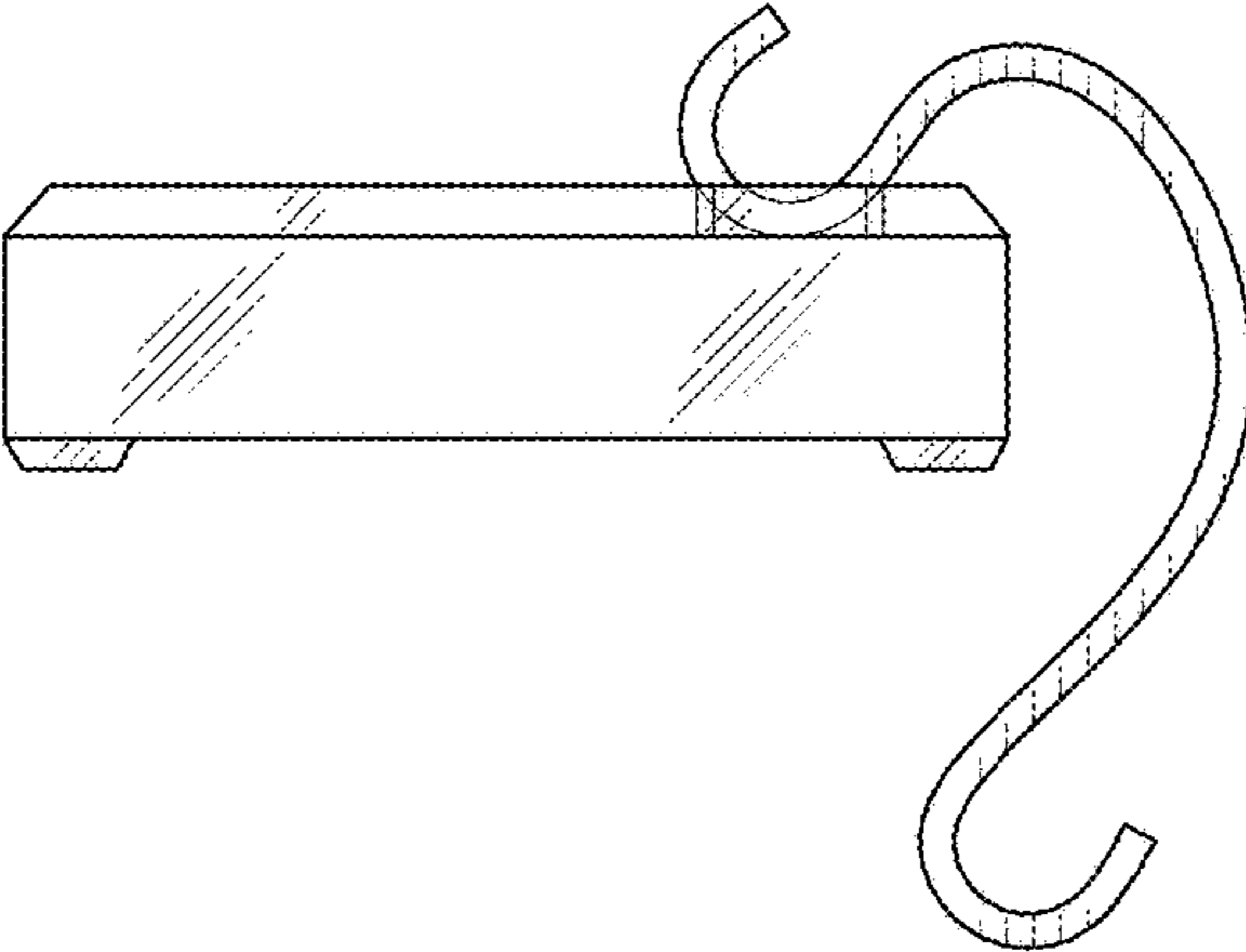


FIG. 3

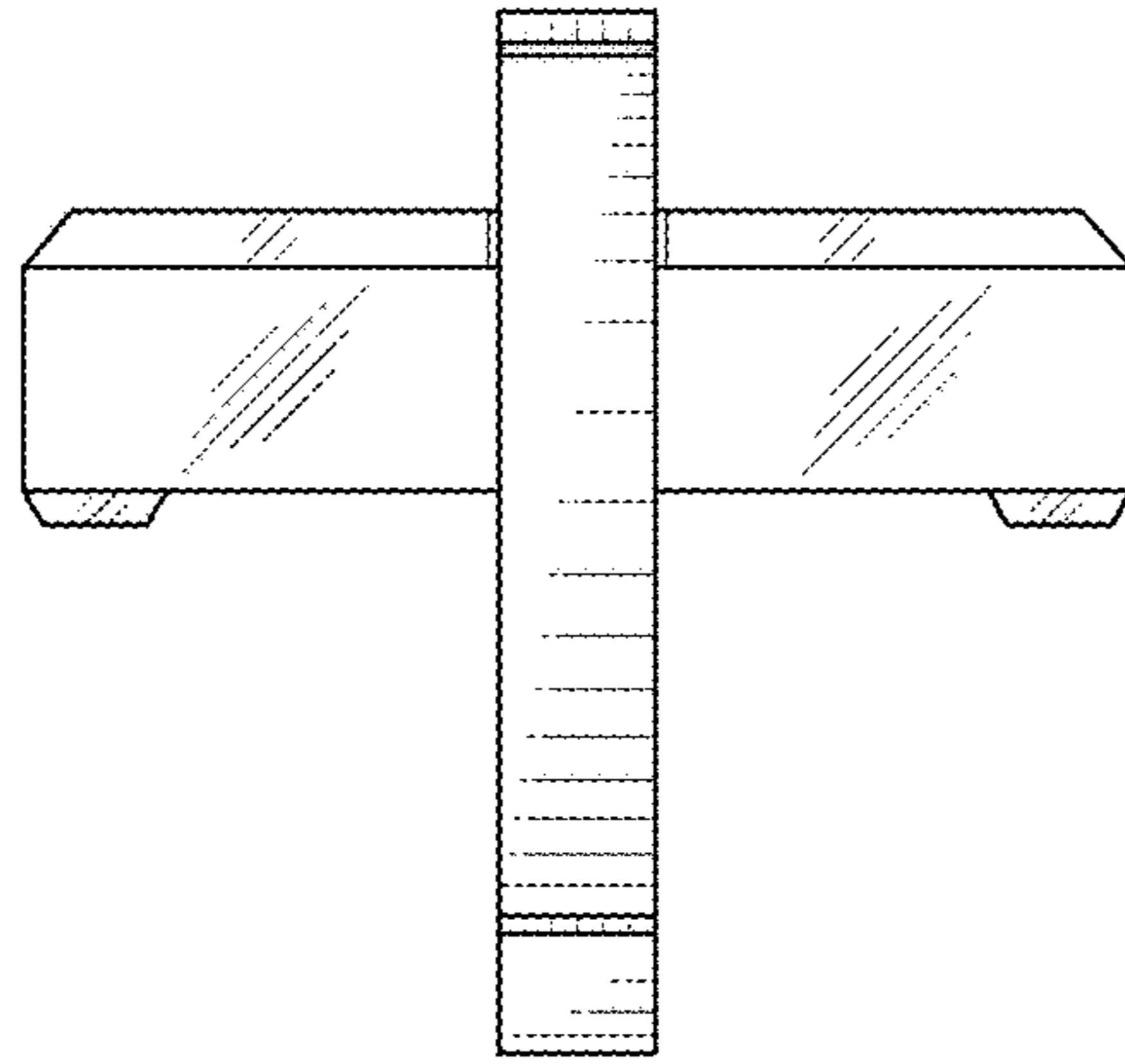


FIG. 4

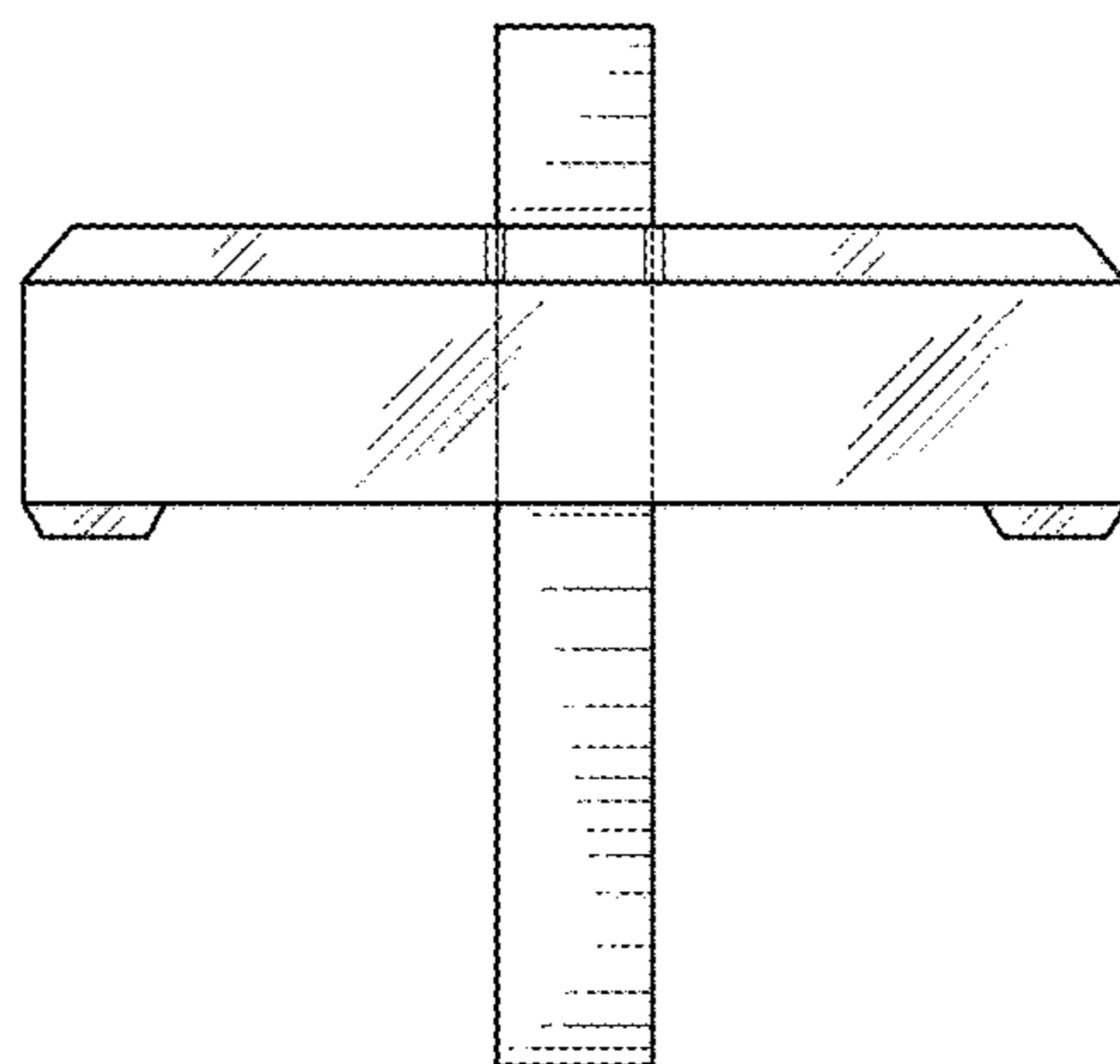


FIG. 5

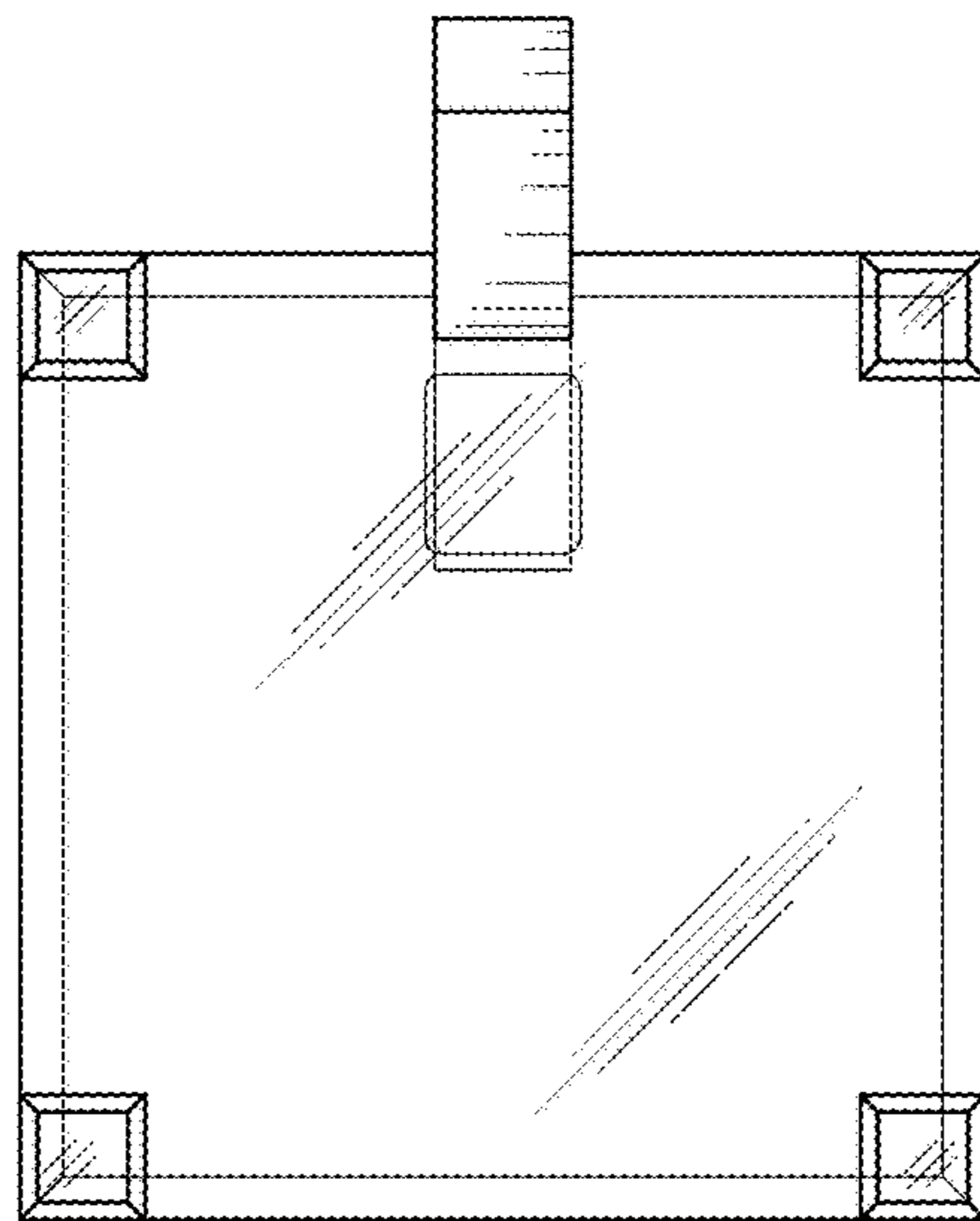


FIG. 6