



US00D858152S

(12) **United States Design Patent**
Zhou

(10) **Patent No.:** **US D858,152 S**

(45) **Date of Patent:** **** Sep. 3, 2019**

(54) **MULTIFUNCTION PLATE RACK**

(71) Applicant: **Zhijuan Zhou**, Shenzhen (CN)

(72) Inventor: **Zhijuan Zhou**, Shenzhen (CN)

(**) Term: **15 Years**

(21) Appl. No.: **29/692,575**

(22) Filed: **May 28, 2019**

(51) **LOC (12) Cl.** **06-06**

(52) **U.S. Cl.**
USPC **D6/675.5; D34/17**

(58) **Field of Classification Search**
USPC D6/675.5, 676.5, 677.5, 678.5, 680.3,
D6/684, 681; D34/12, 17, 21; D7/601,
D7/704

CPC A47B 47/0091; A47B 81/04; A47F 1/121;
A47F 5/0018; A47F 5/13; A47F 7/28;
A47L 19/04; B65F 1/02; B65F 1/12;
B65F 1/1468; B65F 2210/81; B65F
2240/138; A47G 23/0216; A47G 2200/02;
G09F 23/06; G09F 23/02

See application file for complete search history.

(56) **References Cited**

U.S. PATENT DOCUMENTS

3,330,576	A *	7/1967	Willis	A47B 81/04 211/133.2
D279,304	S *	6/1985	Imatt	D21/524
D311,802	S *	10/1990	Getto	D34/17
D335,566	S *	5/1993	Spriggs	D34/14
D348,573	S *	7/1994	Ewald	D6/405
D369,036	S *	4/1996	Wyatt	D6/680.3
6,039,416	A *	3/2000	Lambert	A47B 5/06 108/48
D555,871	S *	11/2007	Pong	D34/17
D636,550	S *	4/2011	Molayem	D34/17
D657,588	S *	4/2012	Snider	D6/705.6

OTHER PUBLICATIONS

“NEX Dish Drying Rack Stainless Steel Dish Storage with Chopstick Holder Rustless”, Retrieved May 27, 2019]. Retrieved from Internet, <https://www.amazon.com/NEX-Stainless-Chopstick-Rustless-Single-layer/dp/B06ZYZ58JG/>.

“PremiumRacks Professional Over the Sink Dish Rack—Fully Customizable—Multipurpose—Large Capacity”, Retrieved May 27, 2019]. Retrieved from Internet, <https://www.amazon.com/PremiumRacks-Professional-Over-Sink-Dish/dp/B06ZYG1F6B/>.

* cited by examiner

Primary Examiner — Terry A Wallace

(57) **CLAIM**

The ornamental design for a multifunction plate rack, as shown and described.

DESCRIPTION

FIG. 1 is a perspective view of the multifunction plate rack showing my new design;

FIG. 2 is another perspective view thereof;

FIG. 3 is a front elevational view thereof;

FIG. 4 is a rear elevational view thereof;

FIG. 5 is a top plan view thereof.

FIG. 6 is a bottom plan view thereof.

FIG. 7 is a left side view thereof.

FIG. 8 is a right side view thereof.

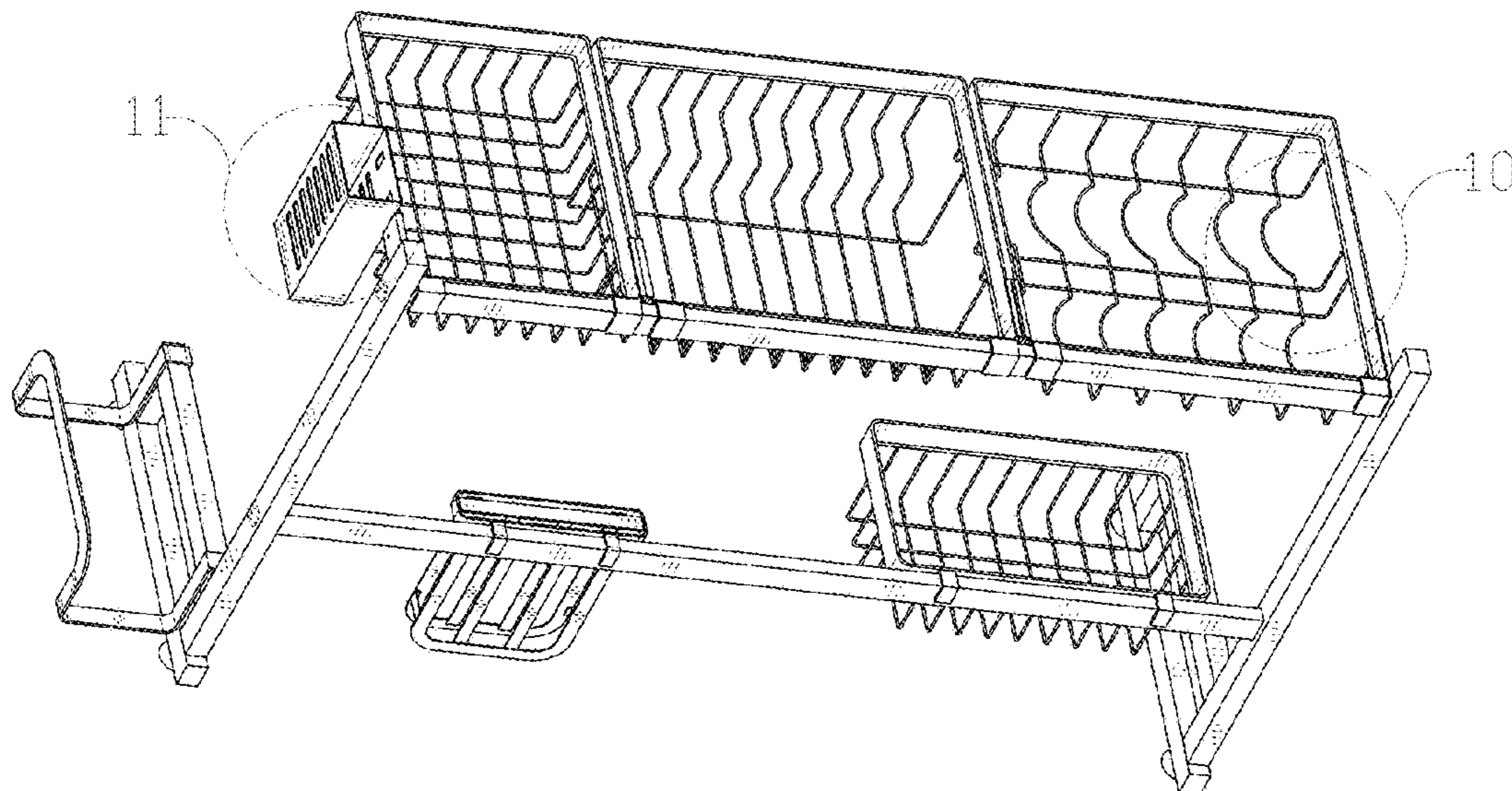
FIG. 9 is a perspective view of the multifunction plate rack where the multifunction plate rack is in a configuration of use;

FIG. 10 is an enlarged view of portion 10 of FIG. 1; and,

FIG. 11 is an enlarged view of portion 11 of FIG. 1.

The broken lines are for the purpose of illustrating portions of the multifunction plate rack and form no part of the claimed design.

1 Claim, 11 Drawing Sheets



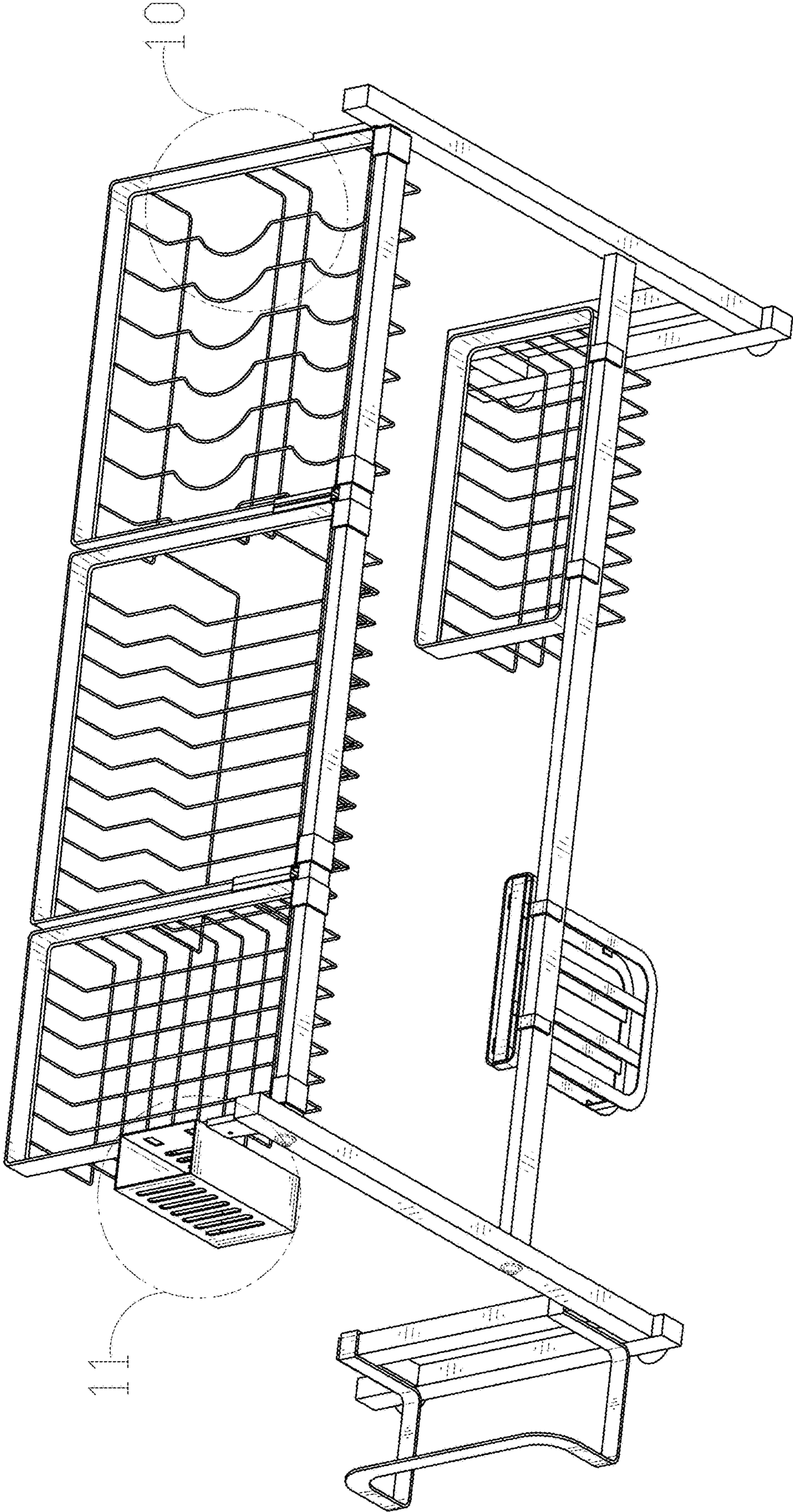


FIG. 1

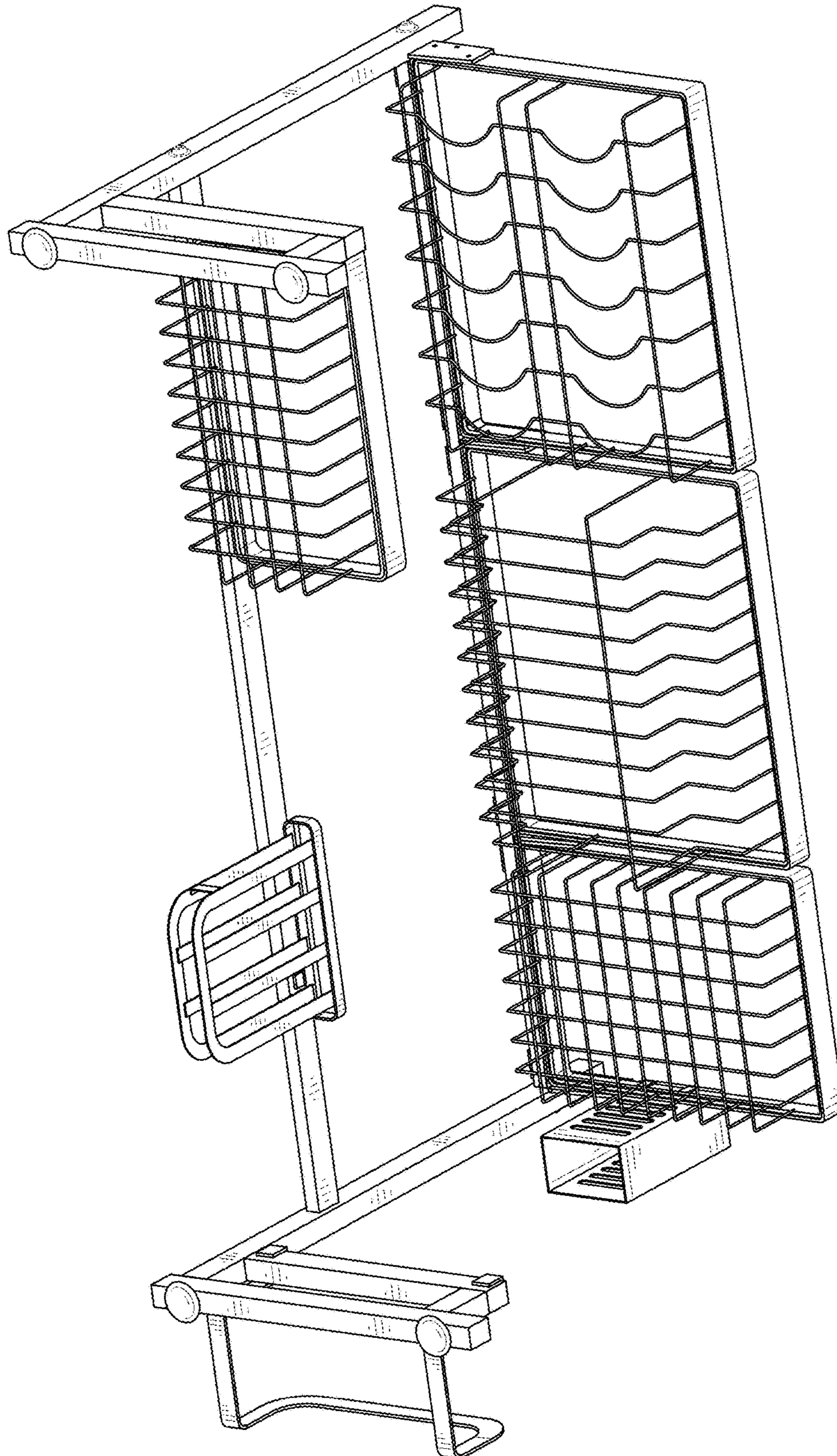


FIG. 2

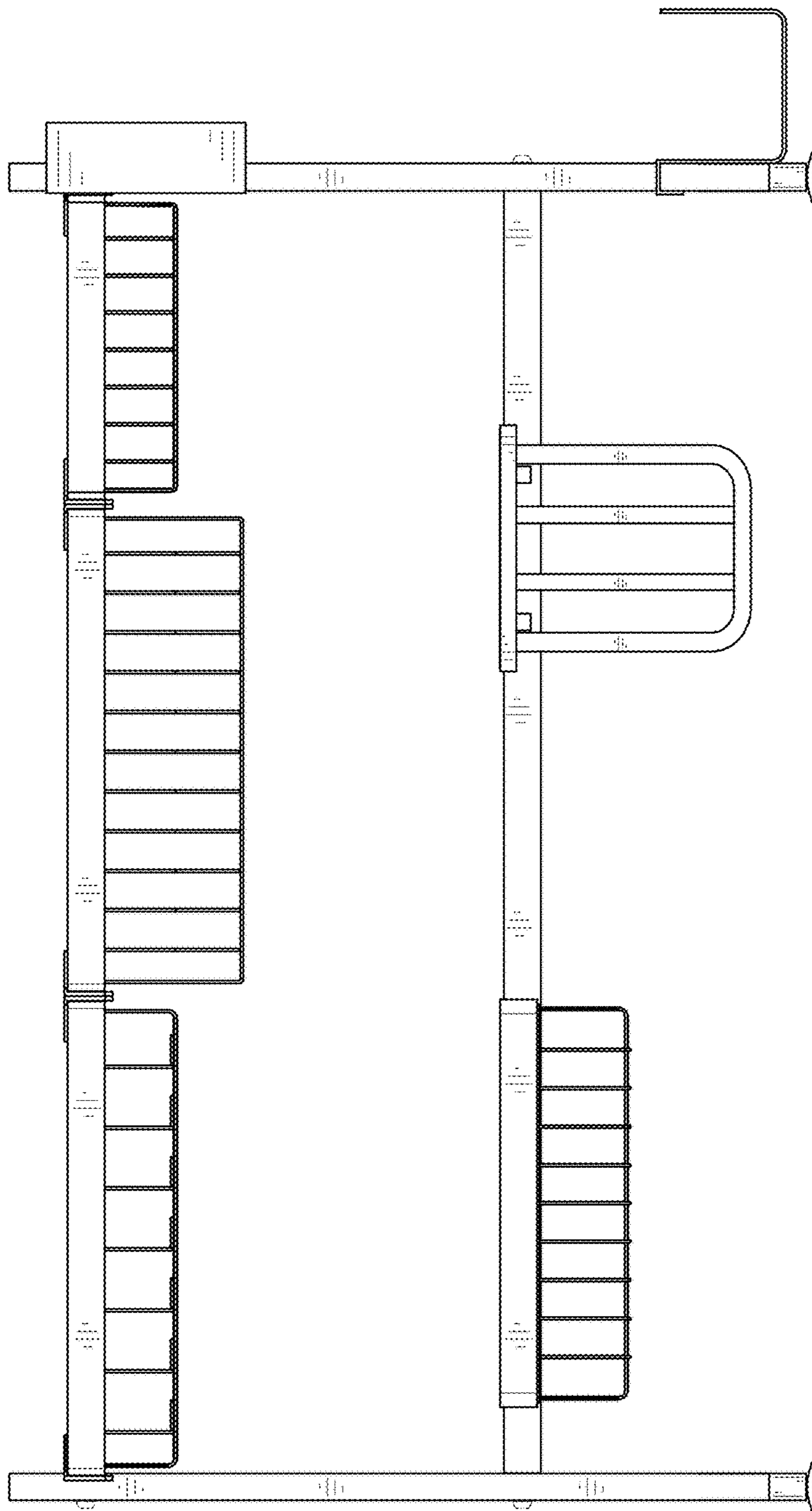


FIG. 3

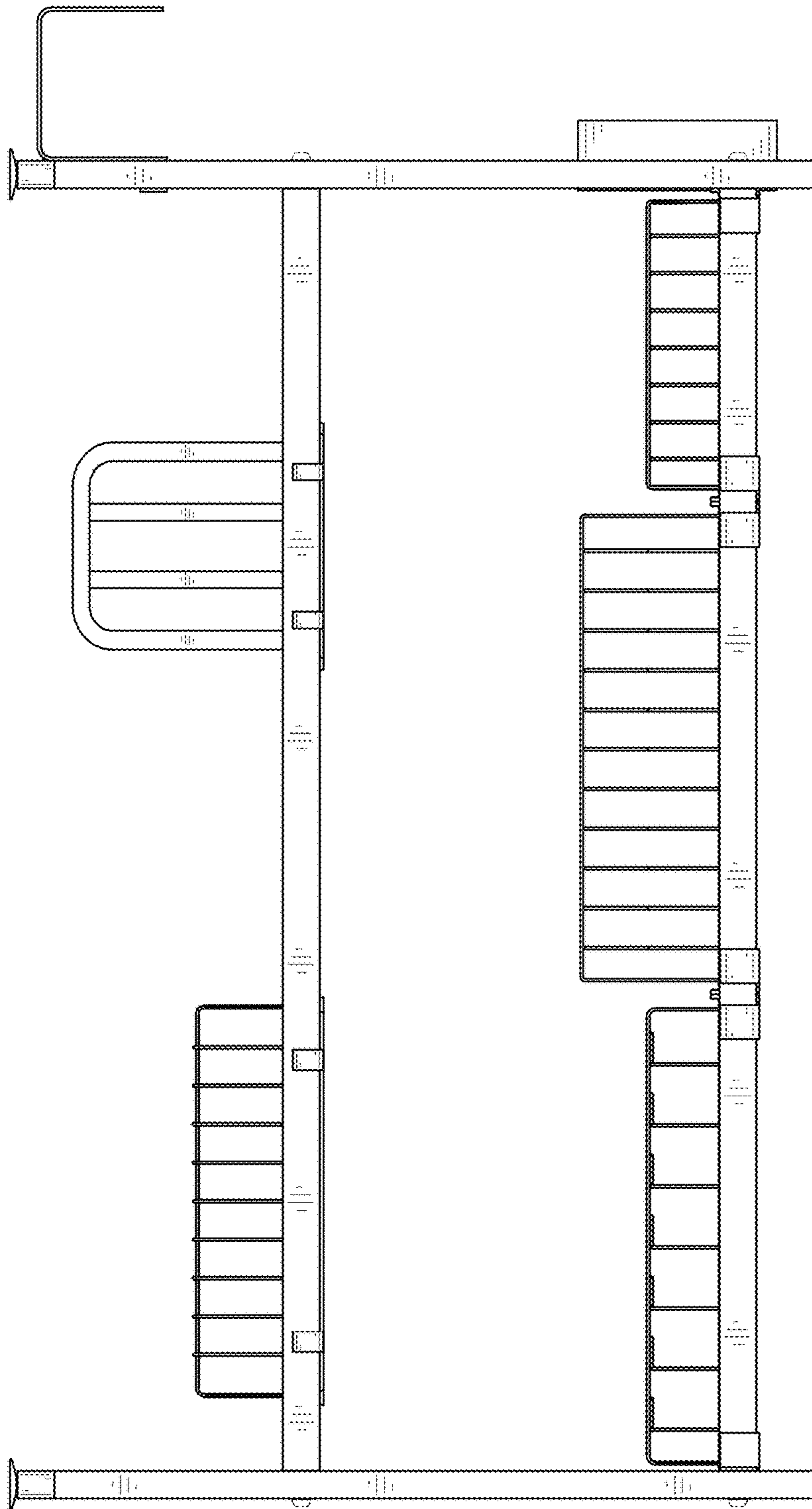


FIG. 4

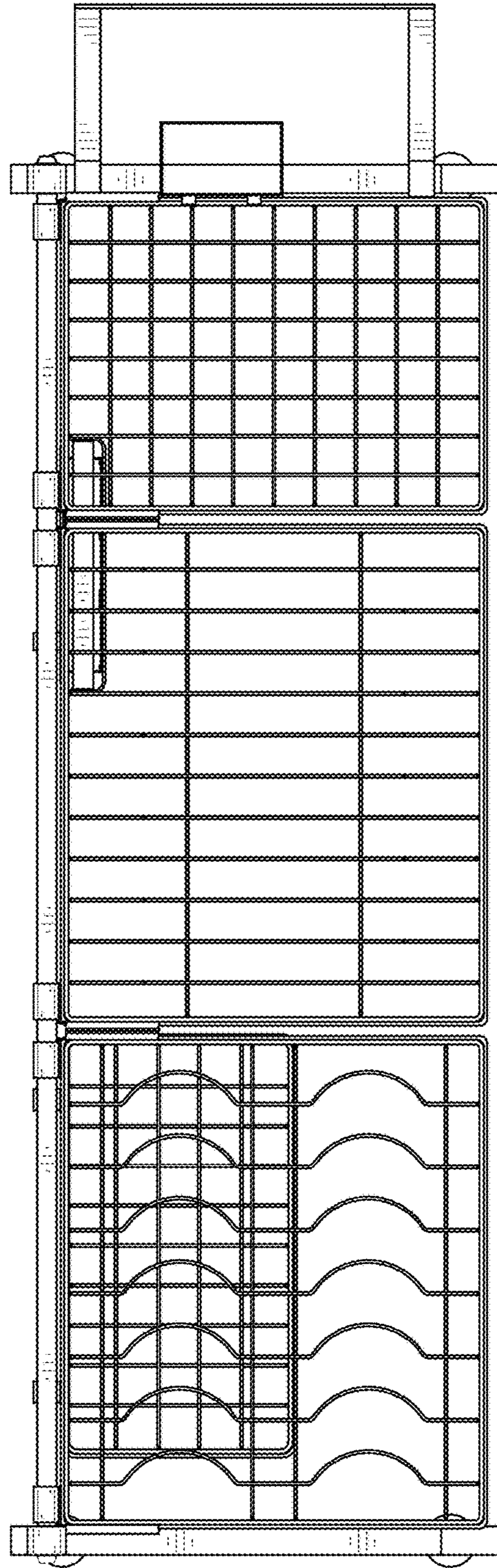


FIG. 5

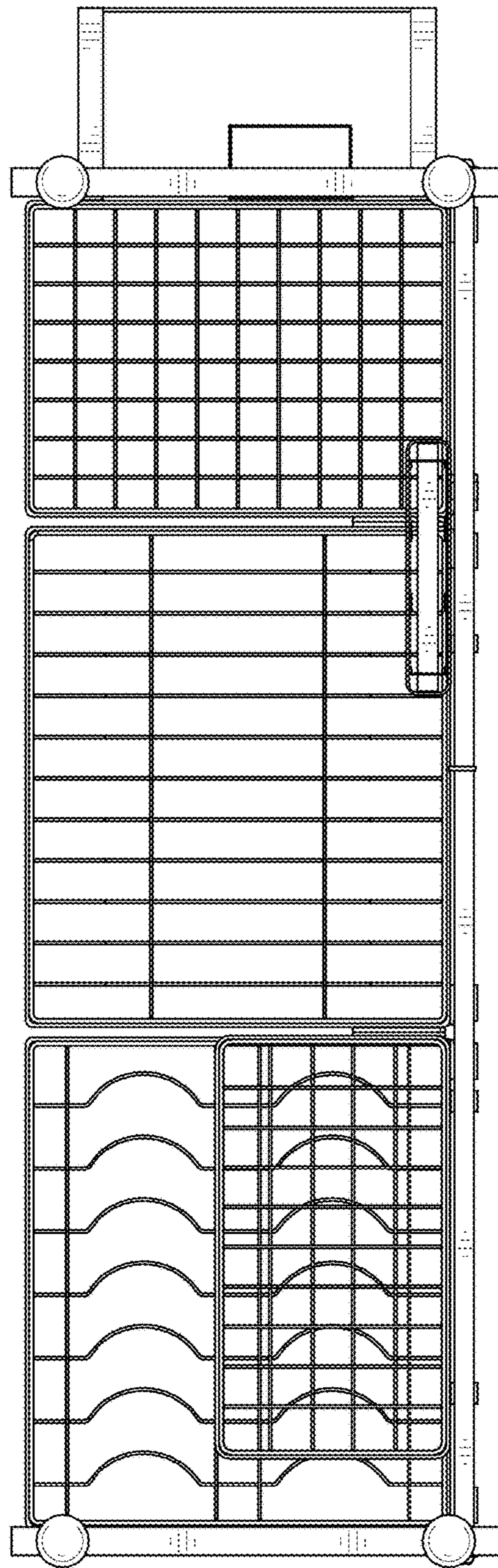


FIG. 6

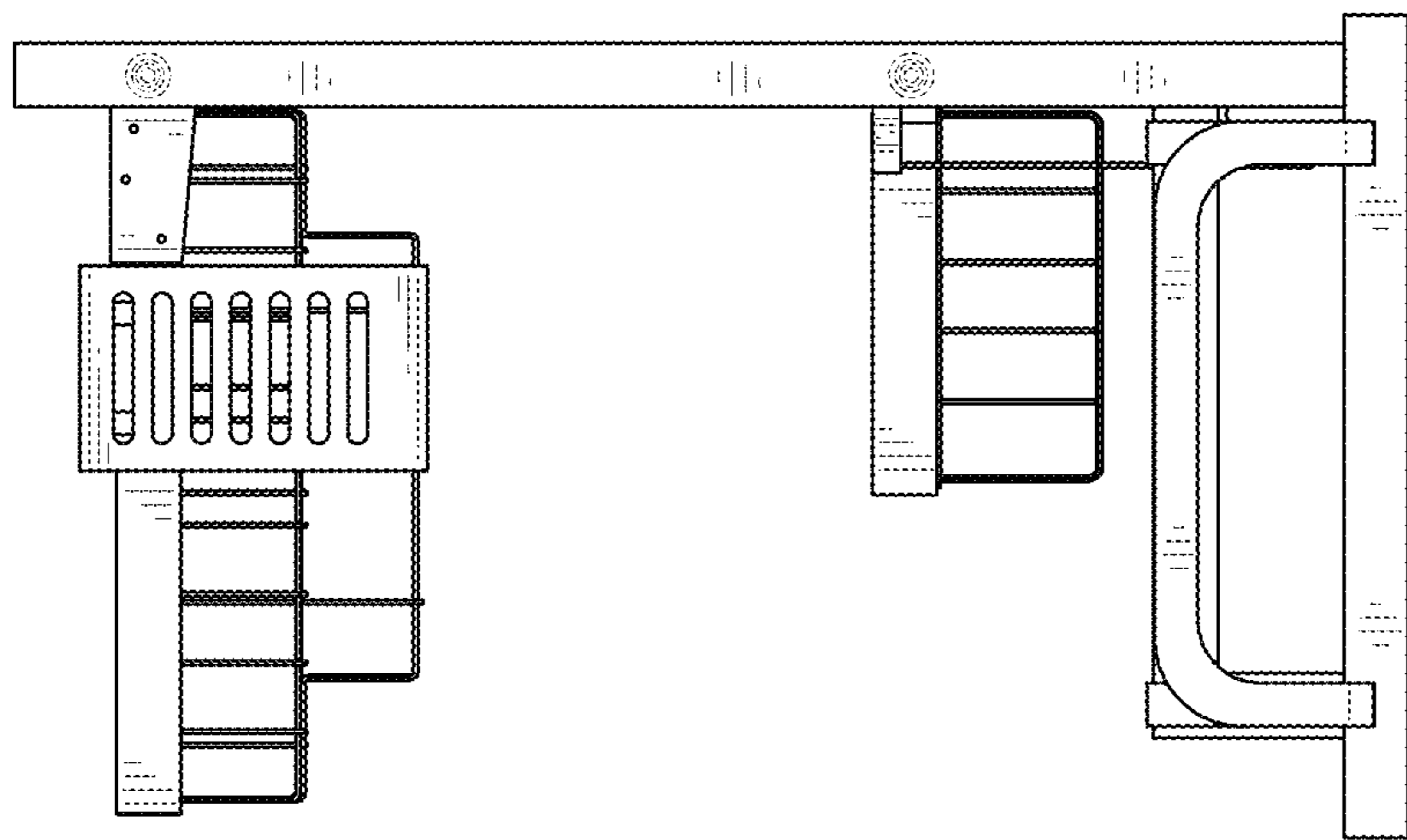


FIG. 7

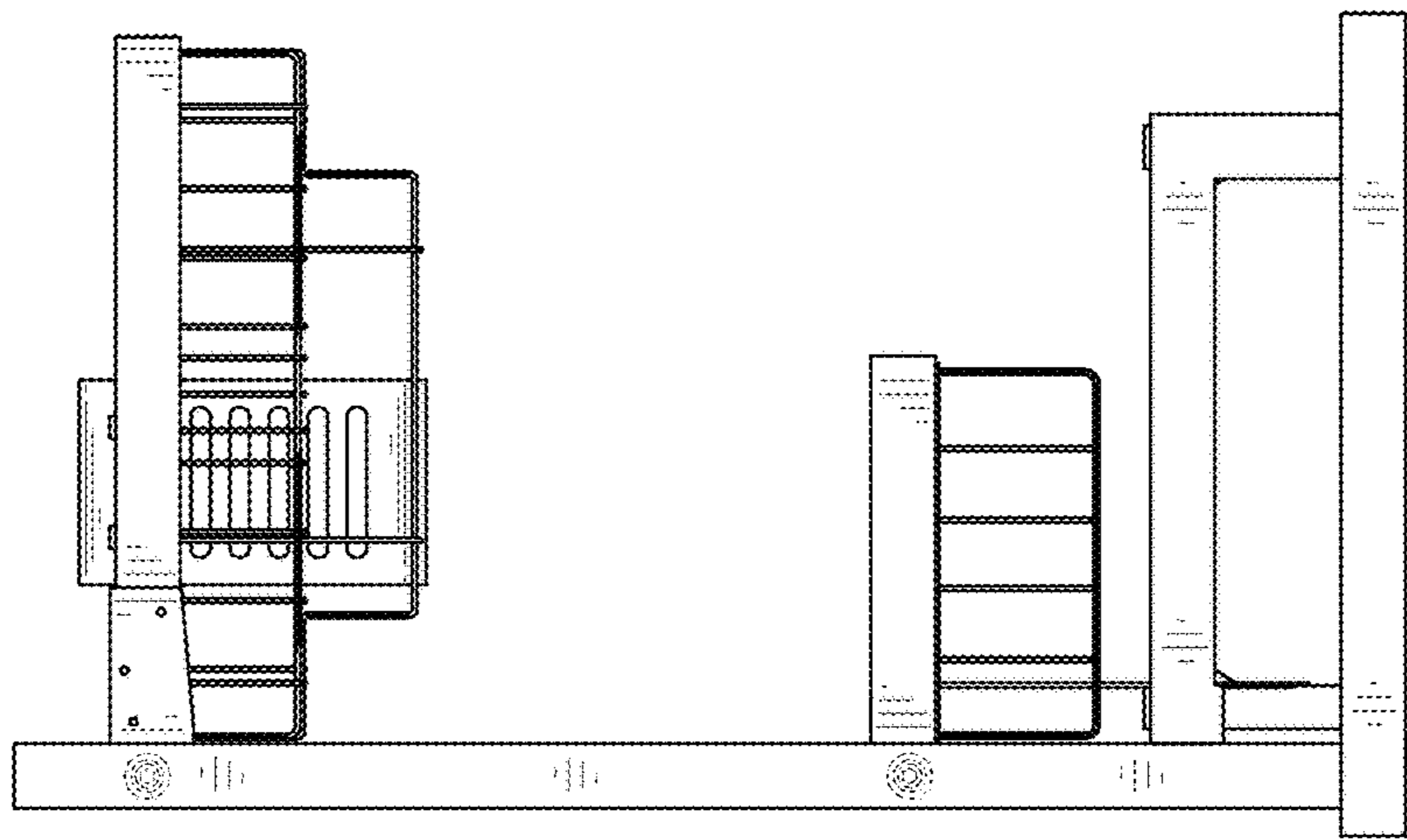


FIG. 8

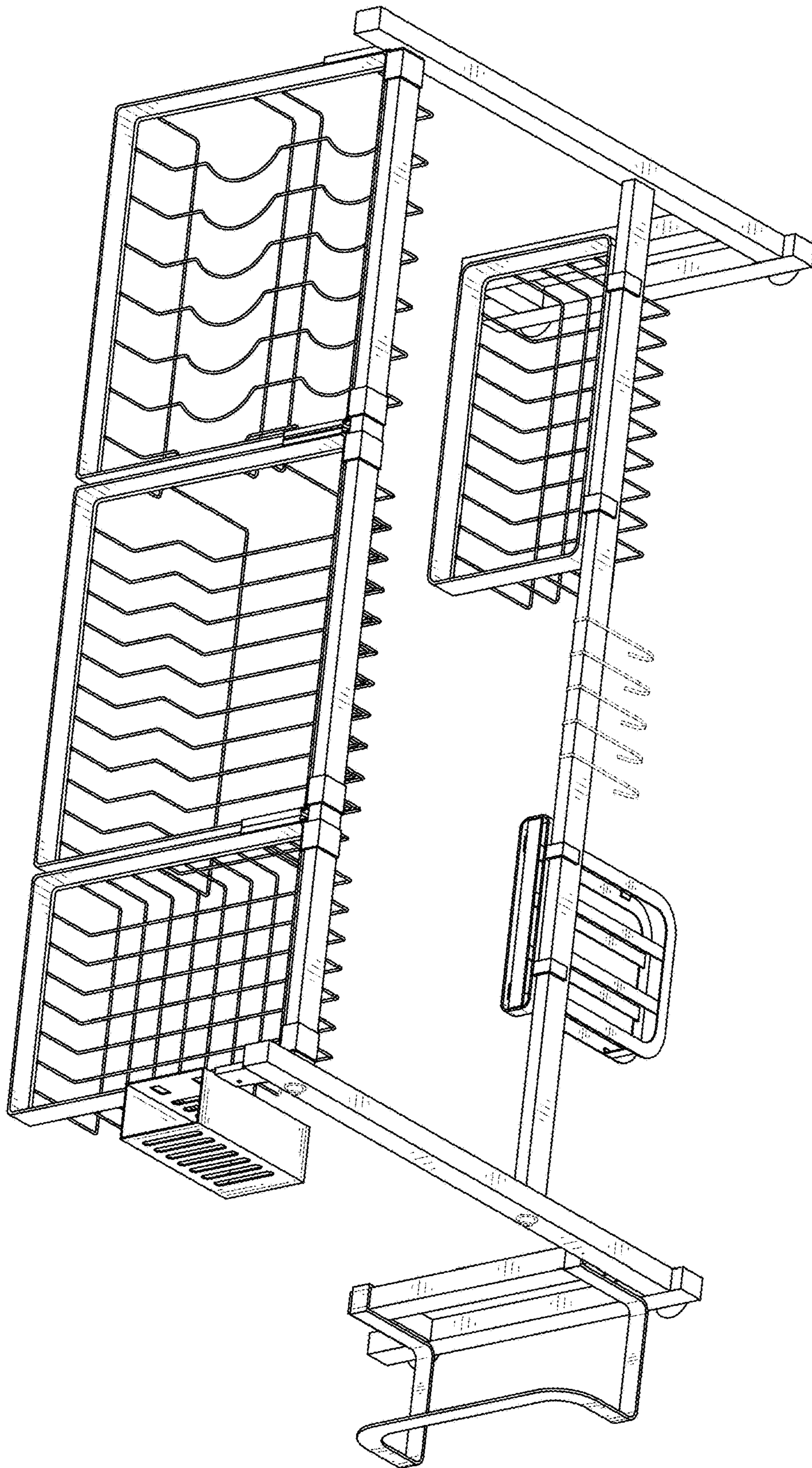


FIG. 9

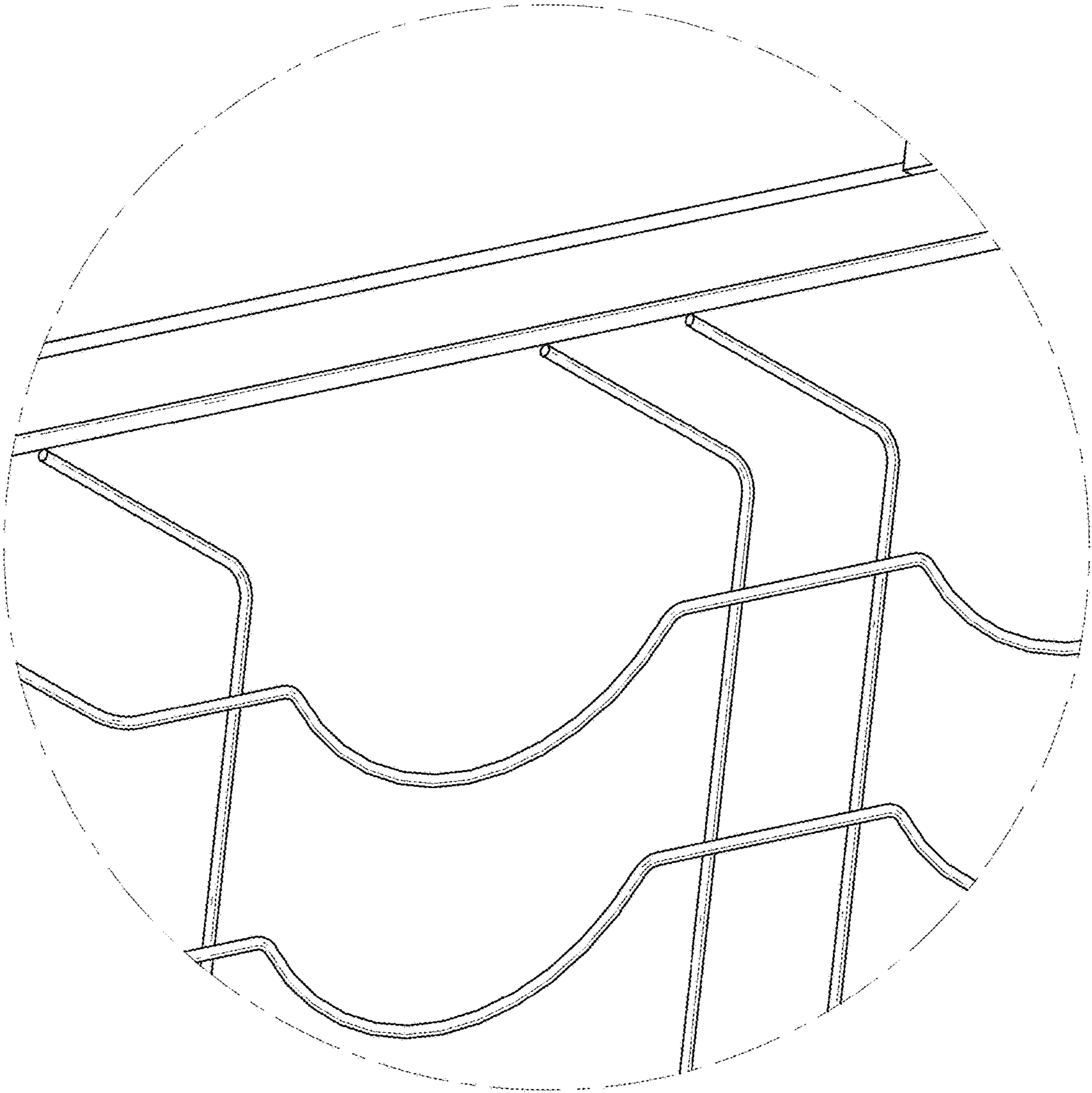


FIG. 10

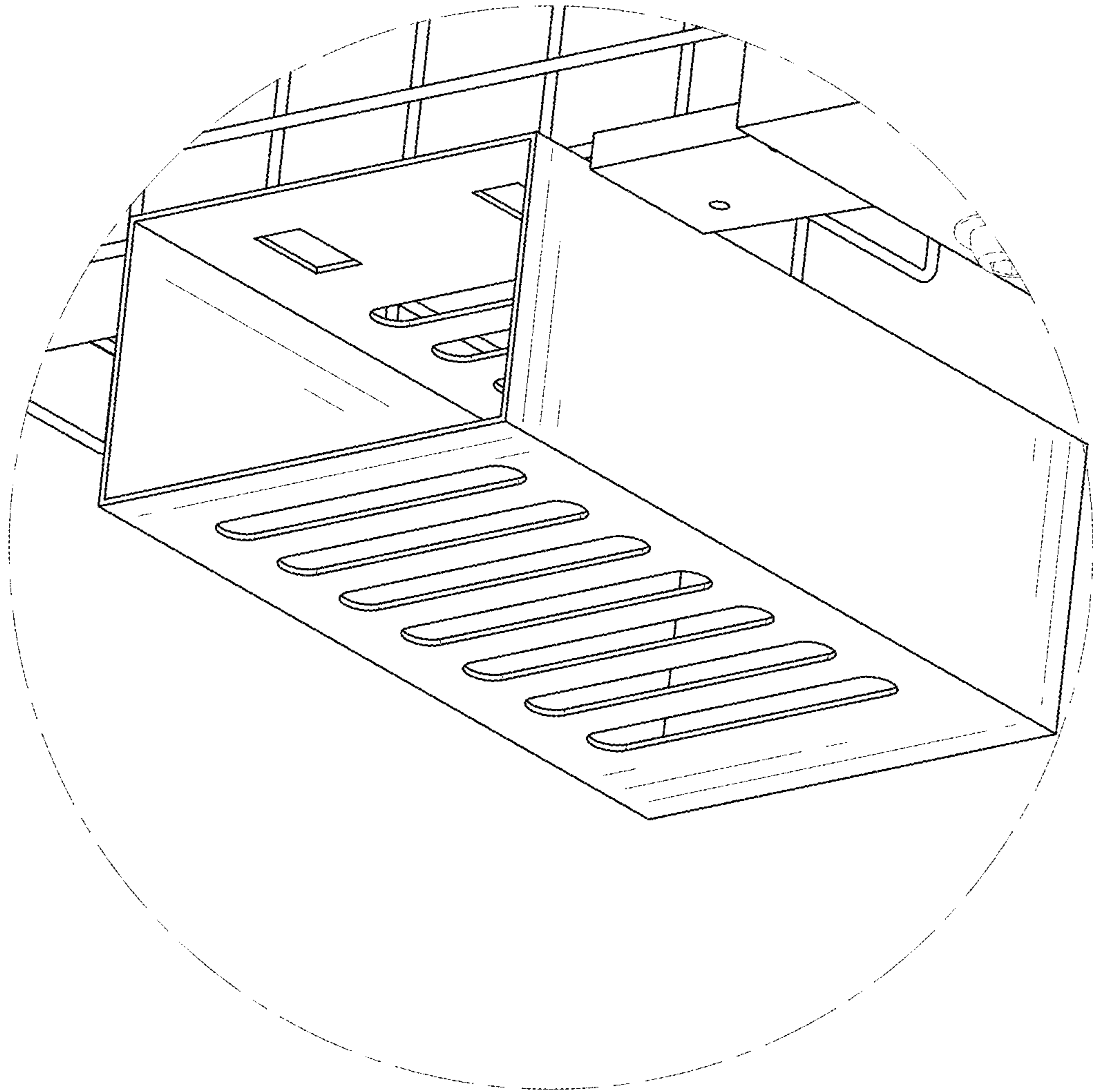


FIG. 11