



US00D858151S

(12) **United States Design Patent** (10) **Patent No.:** **US D858,151 S**
Li (45) **Date of Patent:** **** Sep. 3, 2019**

(54) **WINE RACK TABLE WITH GLASS HOLDER**

(71) Applicant: **XIAMEN GOLDEN HUANAN IMP. & EXP. CO., LTD.**, Xiamen (CN)

(72) Inventor: **Jinjiang Li**, Xiamen (CN)

(**) Term: **15 Years**

(21) Appl. No.: **29/693,830**

(22) Filed: **Jun. 5, 2019**

(51) **LOC (12) Cl.** **06-06**

(52) **U.S. Cl.**
USPC **D6/675.1**

(58) **Field of Classification Search**
USPC D6/672, 675, 675.1, 675.2, 675.3, 675.4, D6/675.5

CPC A47F 1/00; A47B 96/00; A47B 96/02; A47B 47/00; A47B 47/021
See application file for complete search history.

(56) **References Cited**

U.S. PATENT DOCUMENTS

D273,726 S * 5/1984 Valenzuela D23/278
D326,971 S * 6/1992 Leis D6/675.1
D352,845 S 11/1994 Hellwig et al.
D379,885 S * 6/1997 Linder D6/675.1

D404,937 S * 2/1999 Tarlow D6/675.1
D463,682 S * 10/2002 Ma D6/661
D491,744 S * 6/2004 Harwanko D6/657
D497,526 S 10/2004 Sanders et al.
D498,368 S * 11/2004 Harwanko D6/657
D504,250 S * 4/2005 Rozenboom D6/662.1
D622,083 S * 8/2010 Linder D6/679
D716,075 S * 10/2014 Healy D6/657
D799,247 S * 10/2017 Arrington-Brown D6/675.1
D801,728 S * 11/2017 Reyes D6/660
10,143,301 B2 * 12/2018 Summerville A47B 73/00

* cited by examiner

Primary Examiner — Kelley A Donnelly

(74) *Attorney, Agent, or Firm* — Erson IP (Nelson IP)

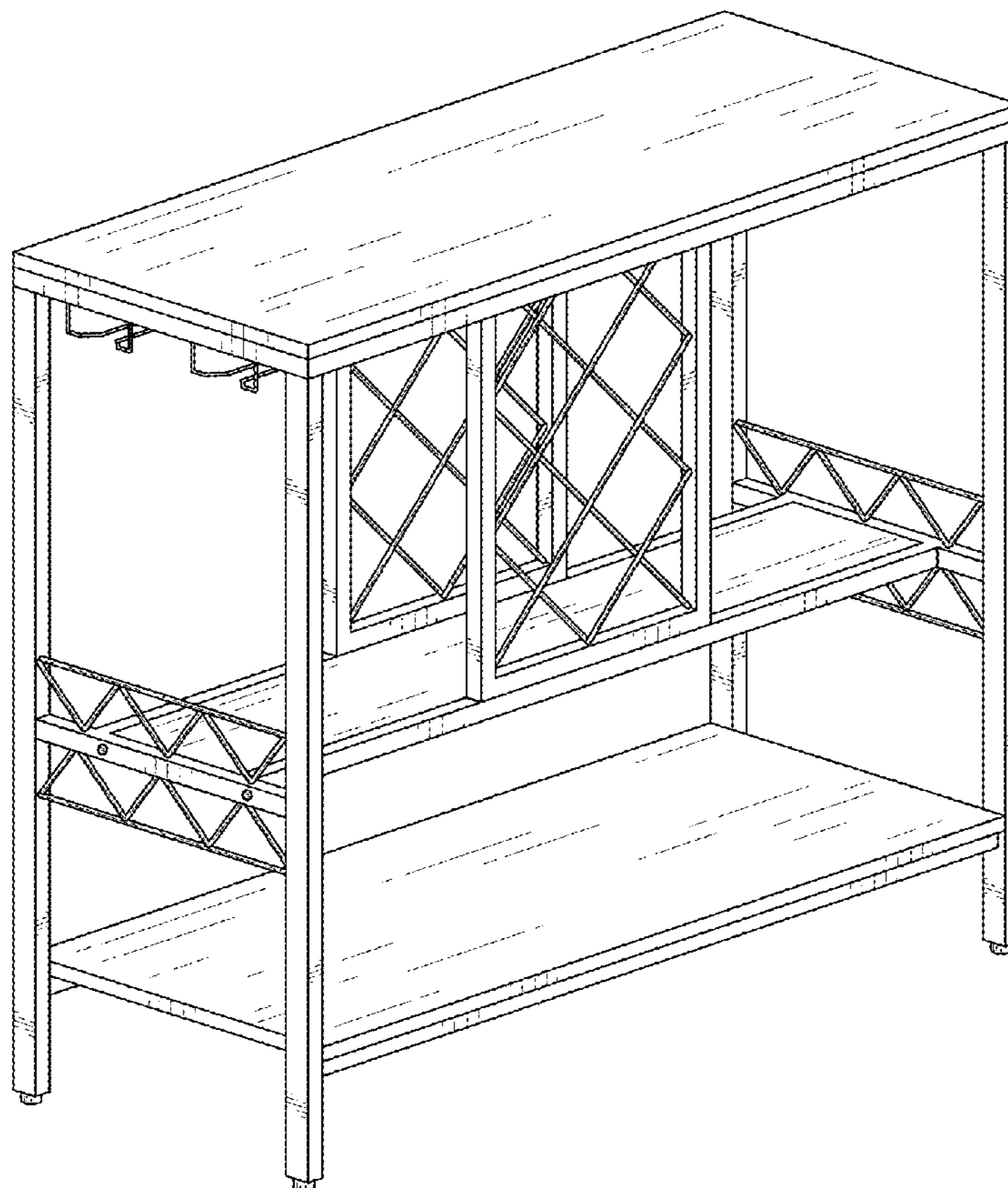
(57) **CLAIM**

The ornamental design for a wine rack table with glass holder, as shown and described.

DESCRIPTION

FIG. 1 is a perspective view of a wine rack table with glass holder showing my new design;
FIG. 2 is a front view thereof;
FIG. 3 is a rear view thereof;
FIG. 4 is a left side view thereof;
FIG. 5 is a right side view thereof;
FIG. 6 is a top plan view thereof; and,
FIG. 7 is a bottom plan view thereof.

1 Claim, 7 Drawing Sheets



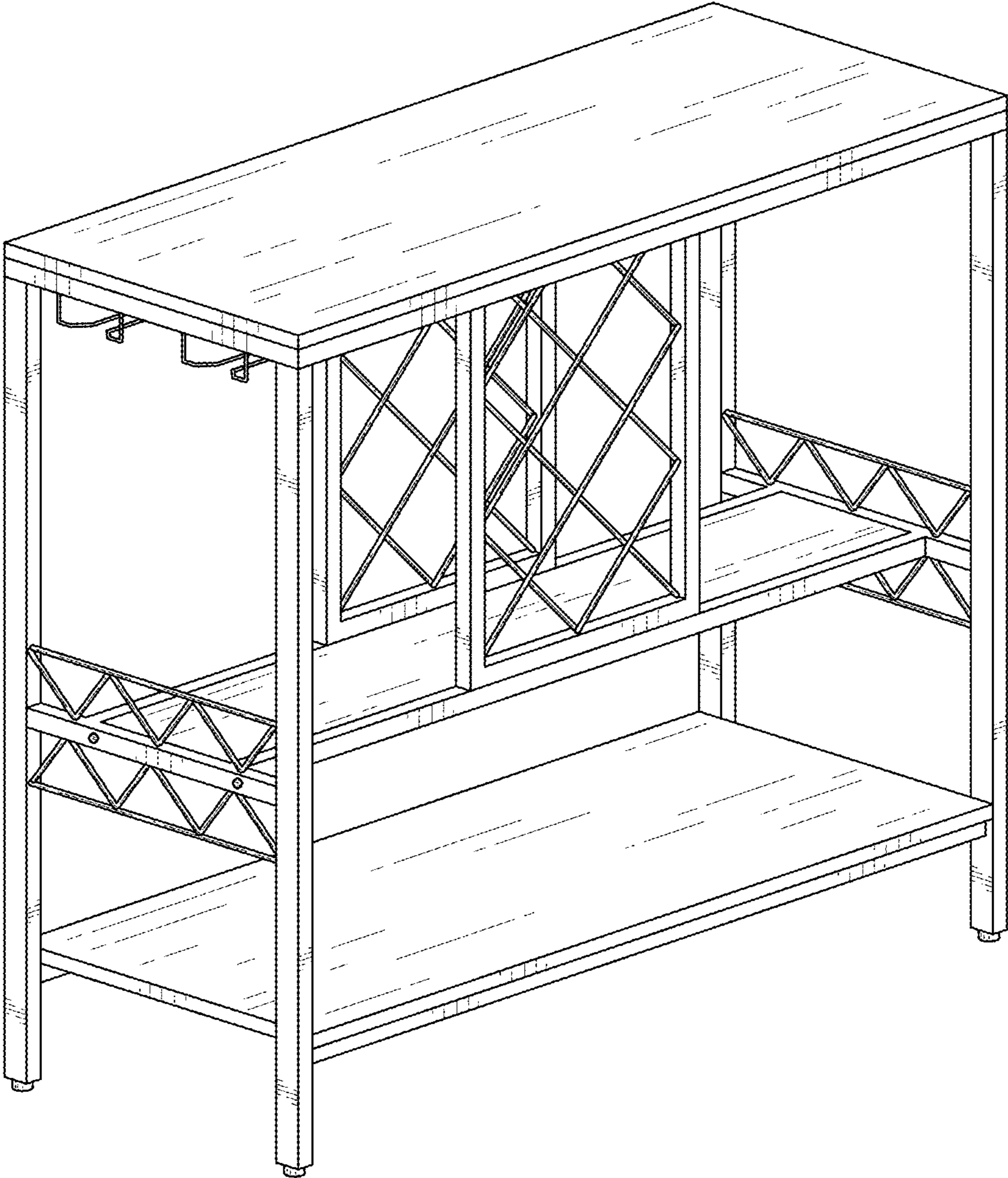


FIG. 1

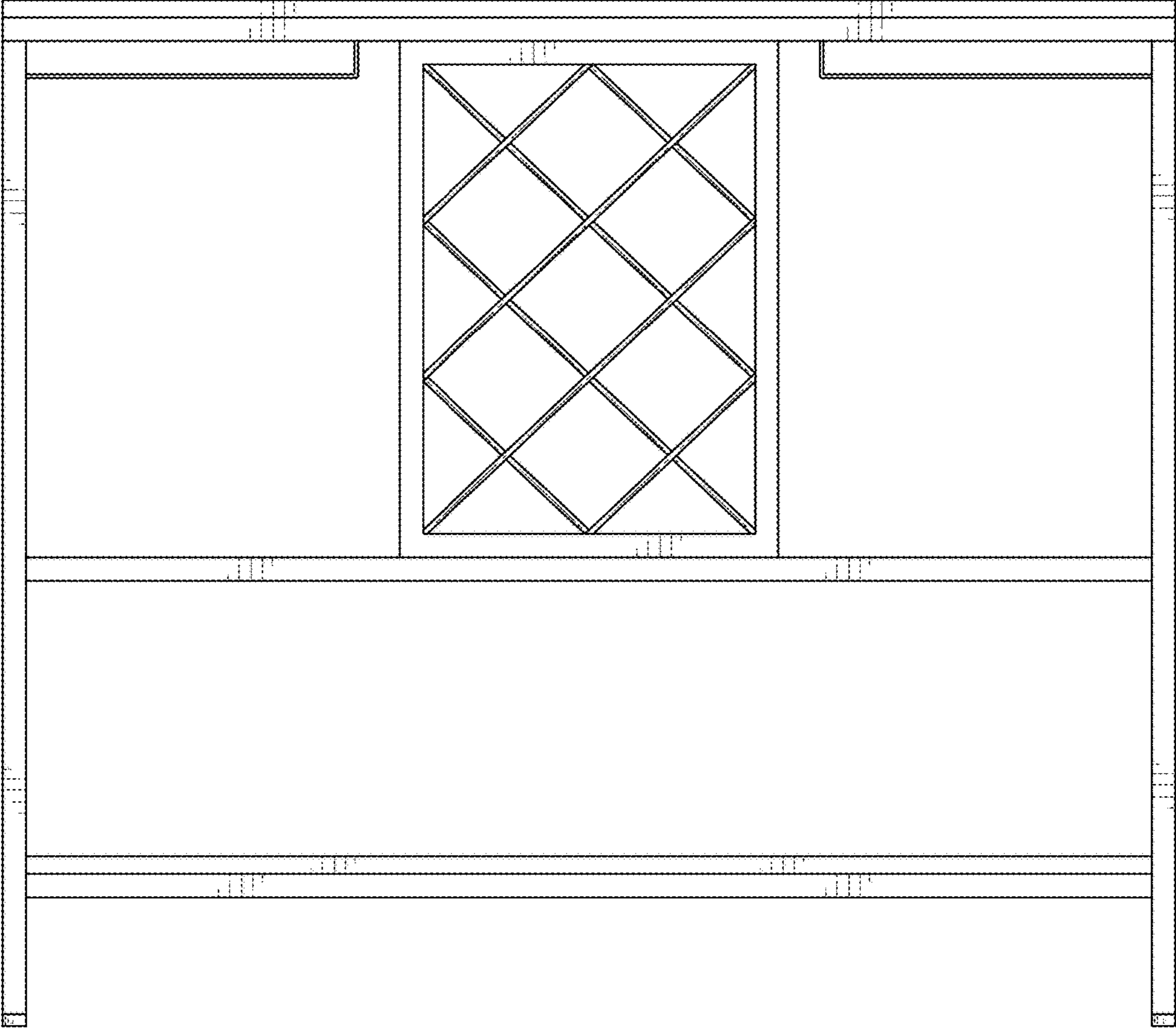


FIG. 2

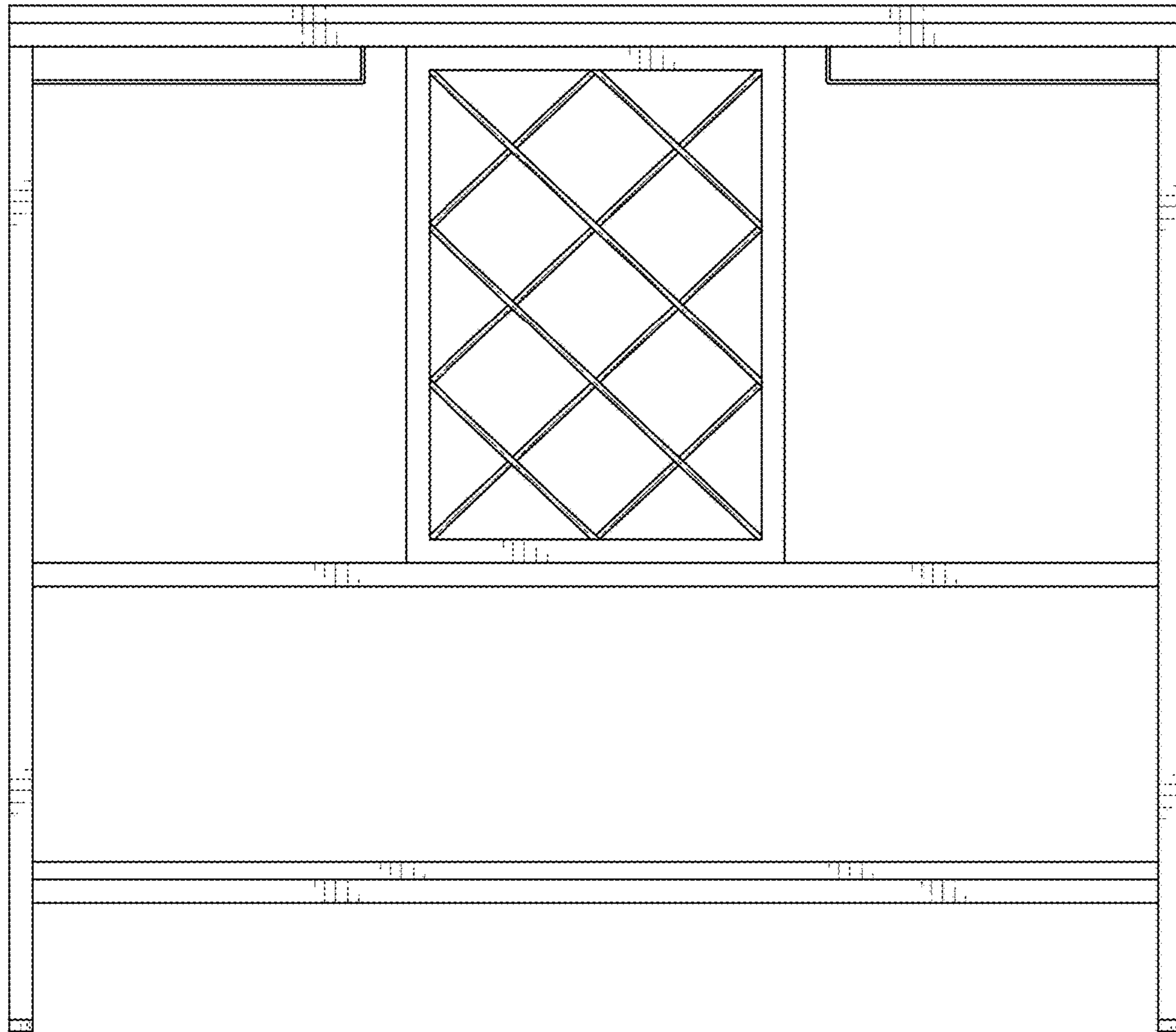


FIG. 3

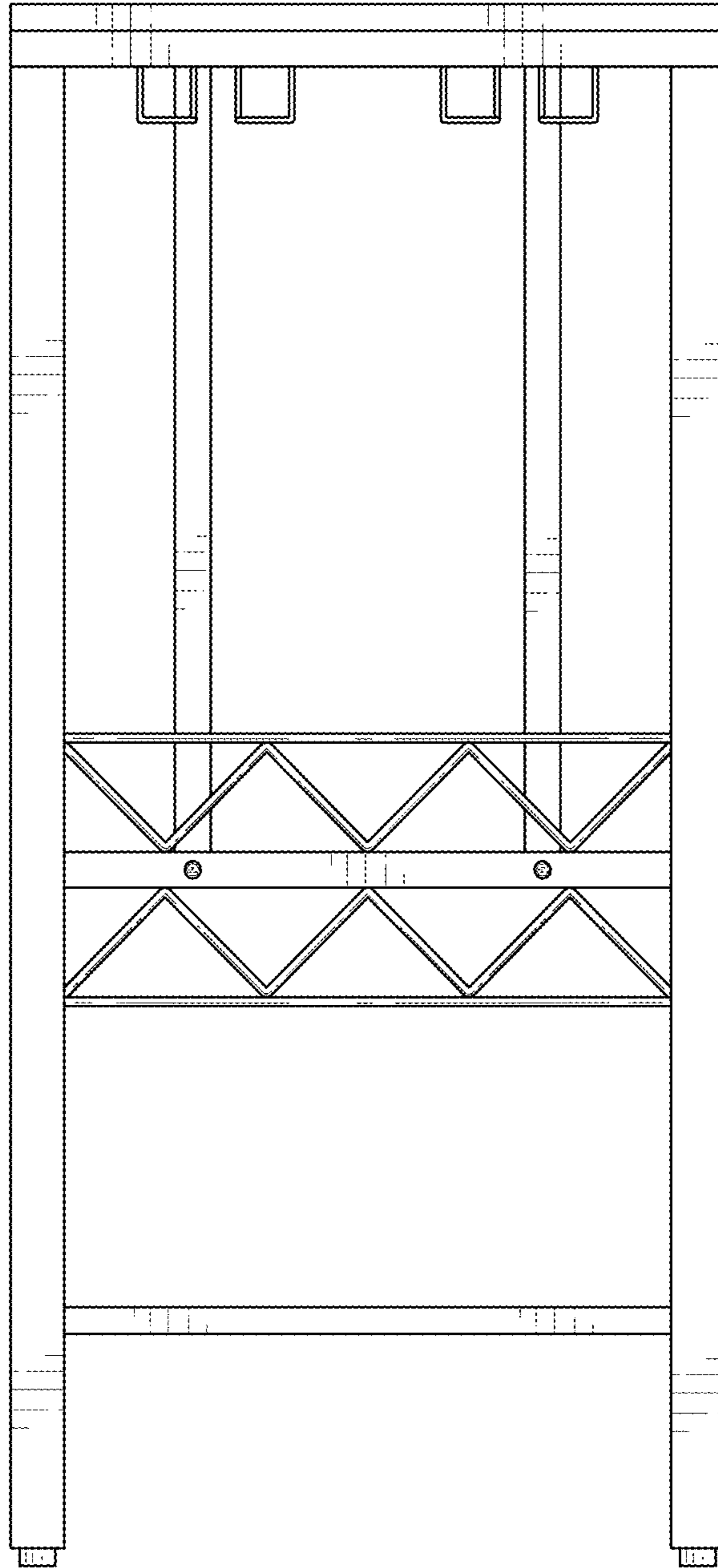


FIG. 4

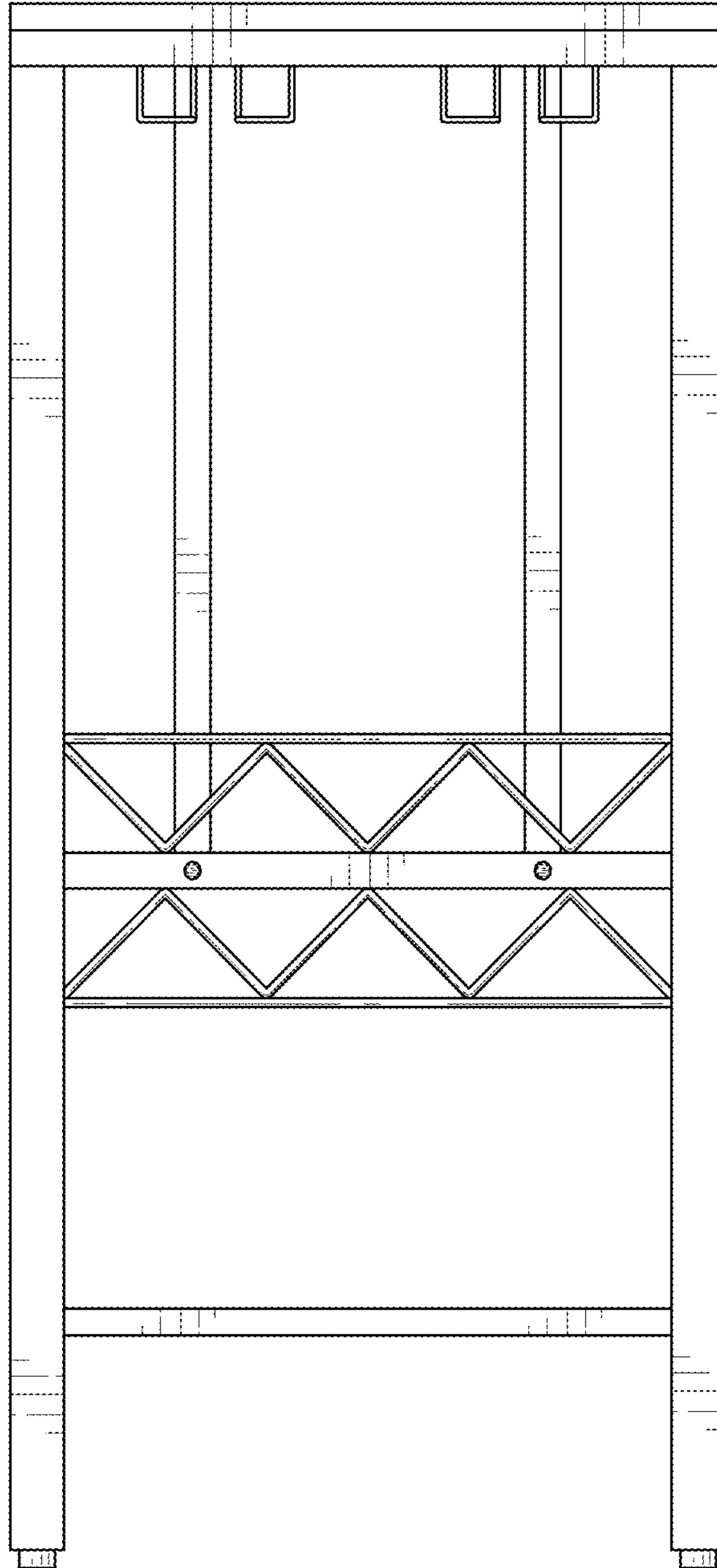


FIG. 5

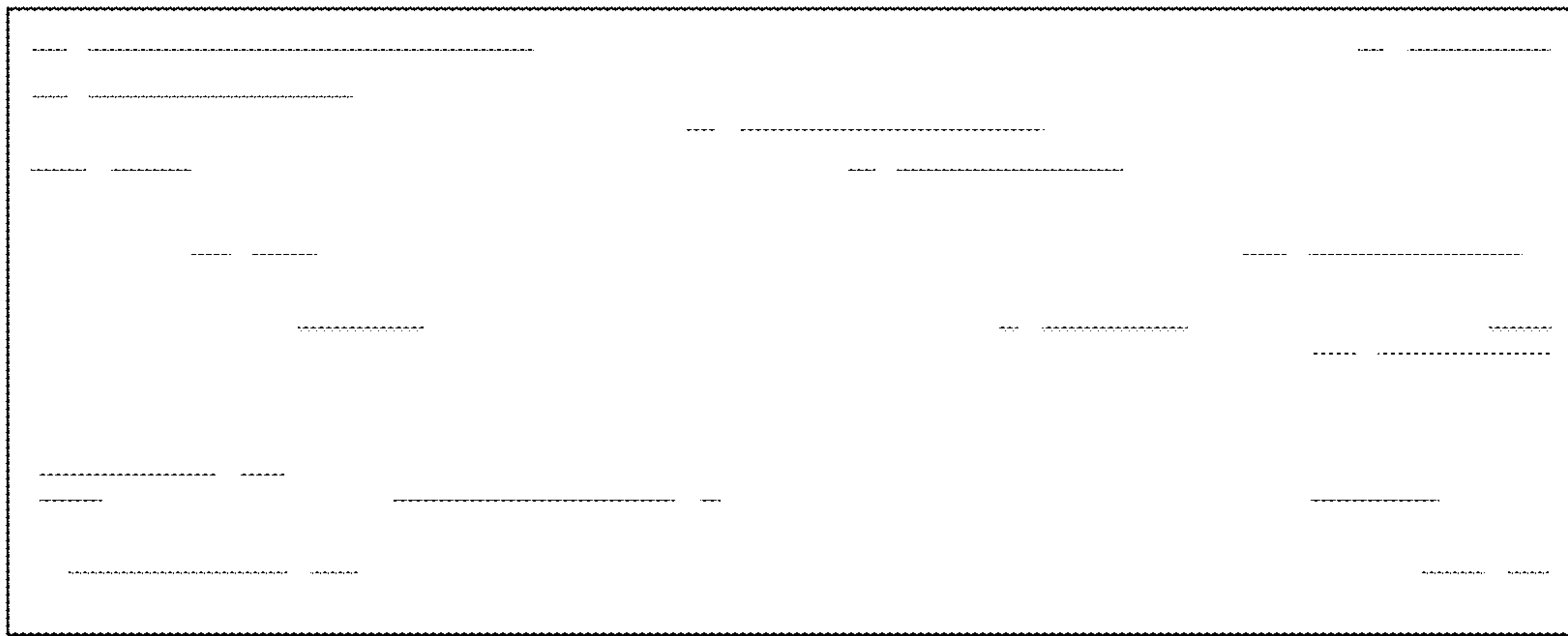


FIG. 6

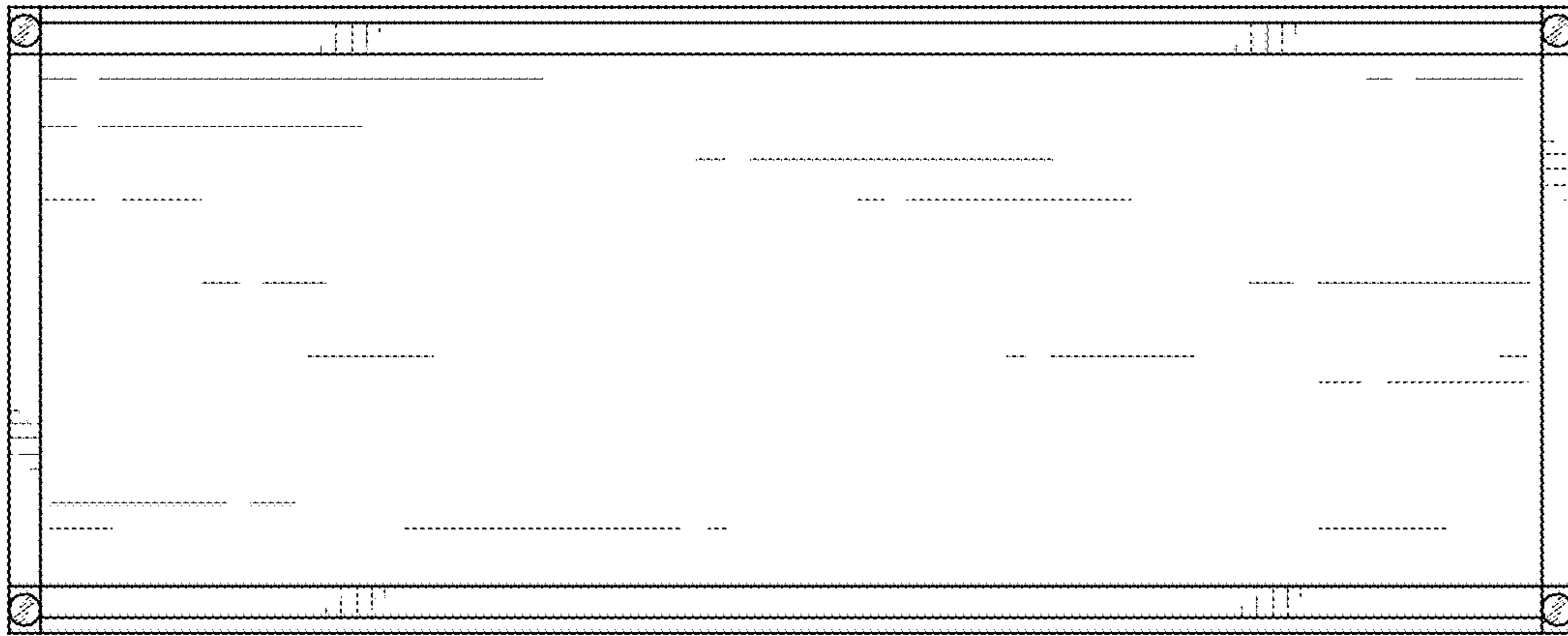


FIG. 7